



**THE DATASHEET OF
BA278,115**





SOD523

Reel pack, SMD, 7"; Q1/T1 standard product orientation;
Orderable part number ending ,115 or X; Ordering code
(12NC) ending 115

Rev. 3 — 22 October 2018

Packing information

1 Packing method

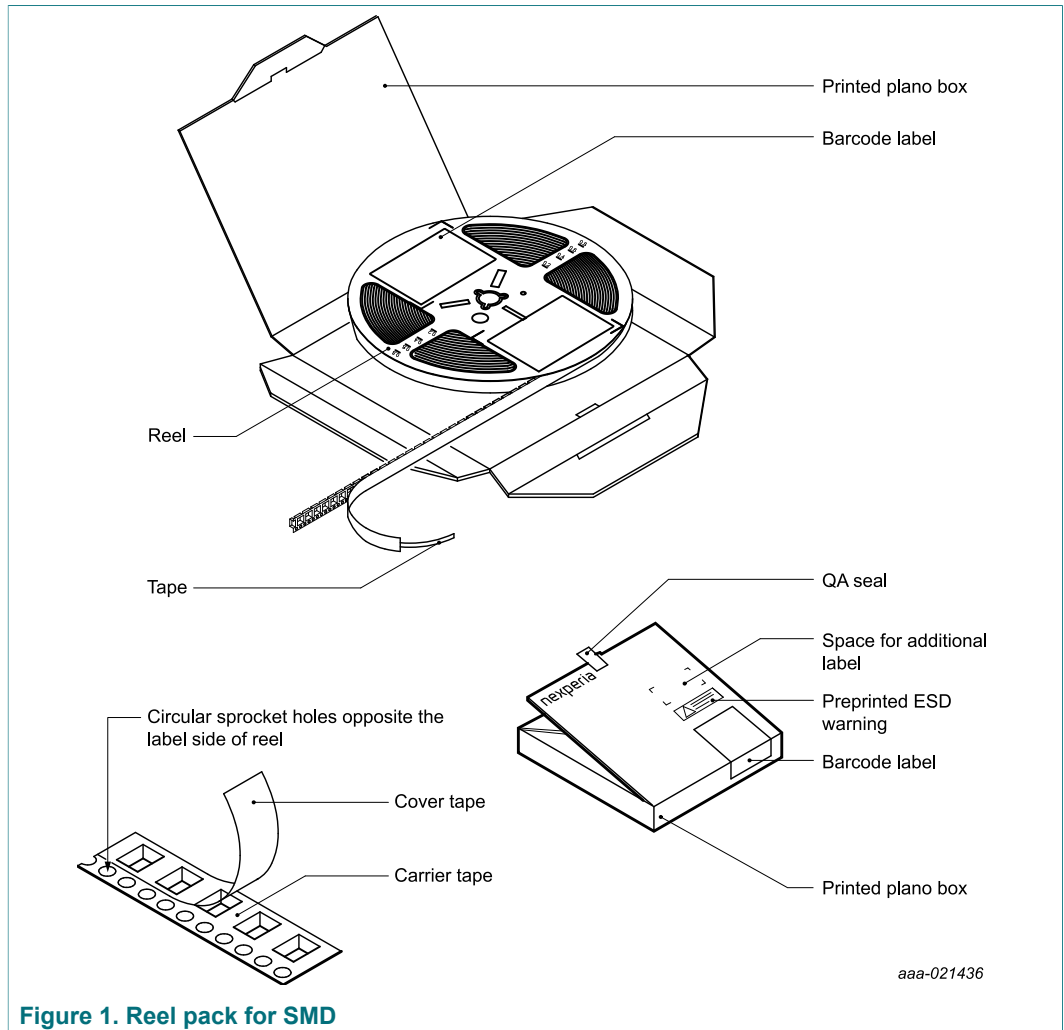


Figure 1. Reel pack for SMD

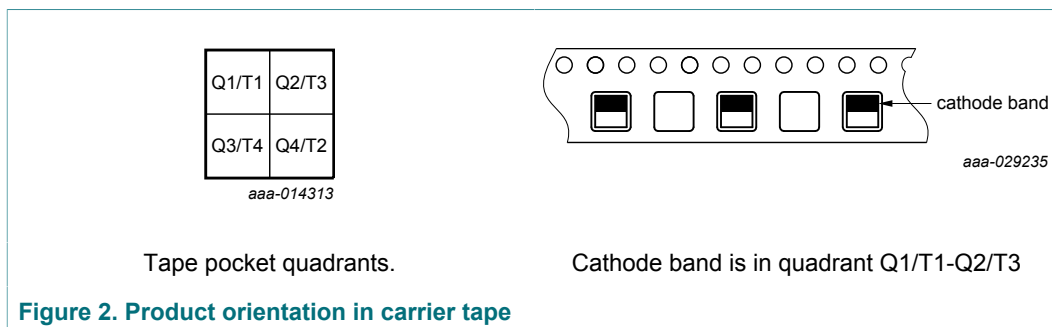
Reel pack, SMD, 7"; Q1/T1 standard product orientation; Orderable part number ending ,115 or X;
Ordering code (12NC) ending 115

Table 1. Dimensions and quantities

Reel dimensions d × w (mm) ^[1]	SPQ/PQ (pcs) ^[2]	Reels per box	Outer box dimensions l × w × h (mm)
180 × 8	3 000	1	187 × 187 × 18

[1] d = reel diameter; w = tape width.
[2] Packing quantity dependent on specific product type. Please contact your local Nexperia representative for ordering.

2 Product orientation



3 Carrier tape dimensions

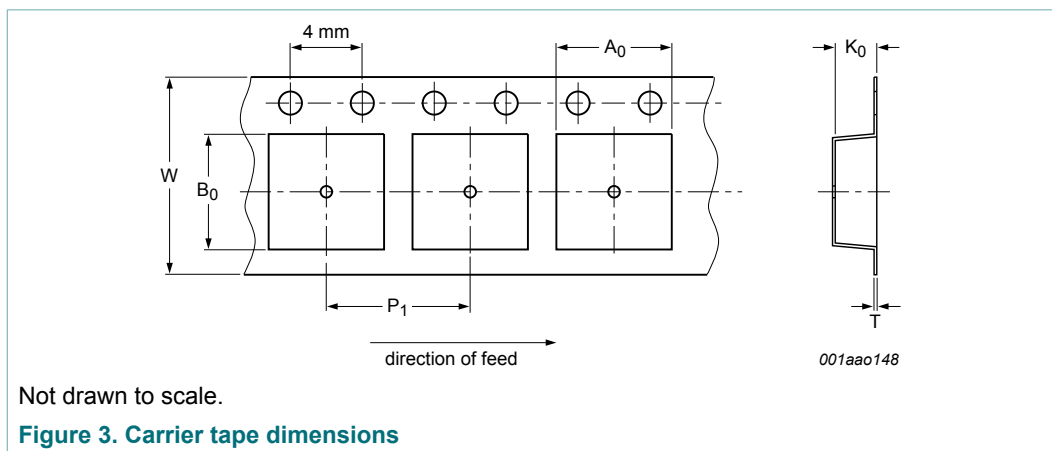


Table 2. Carrier tape dimensions

In accordance with IEC 60286-3.

A ₀ (mm)	B ₀ (mm)	K ₀ (mm)	T (mm)	P ₁ (mm)	W (mm)
0.93 ± 0.05	1.95 ± 0.05	0.73 ± 0.05	0.20 ± 0.02	2.00 ± 0.05	8.0 + 0.3 / - 0.1

4 Reel dimensions

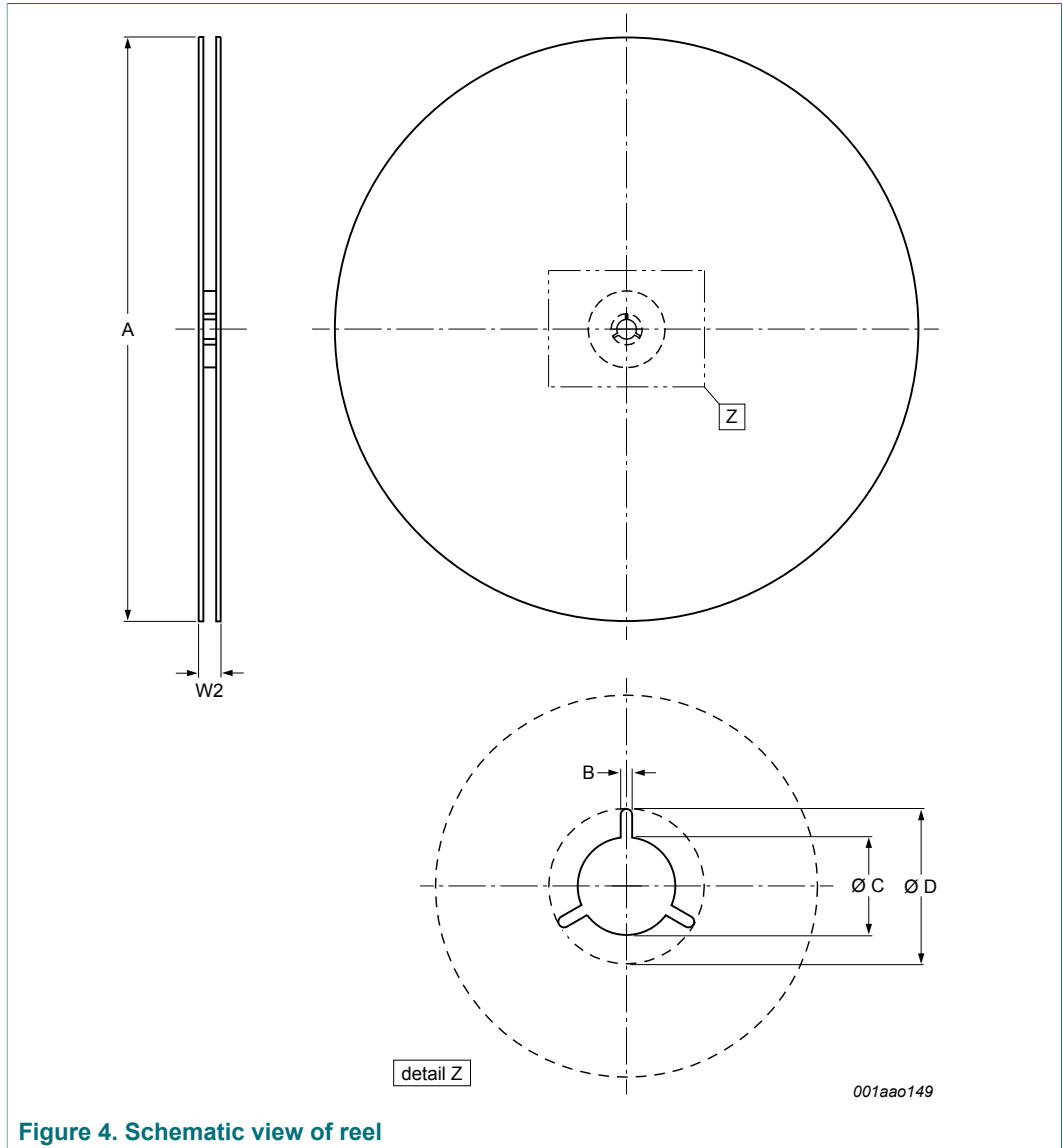


Table 3. Reel dimensions

In accordance with IEC 60286-3.

A [nom] (mm)	W2 [max] (mm)	B [min] (mm)	C [min] (mm)	D [min] (mm)
180	14.4	1.5	12.8	20.2

Reel pack, SMD, 7"; Q1/T1 standard product orientation; Orderable part number ending ,115 or X;
Ordering code (12NC) ending 115

5 Barcode label

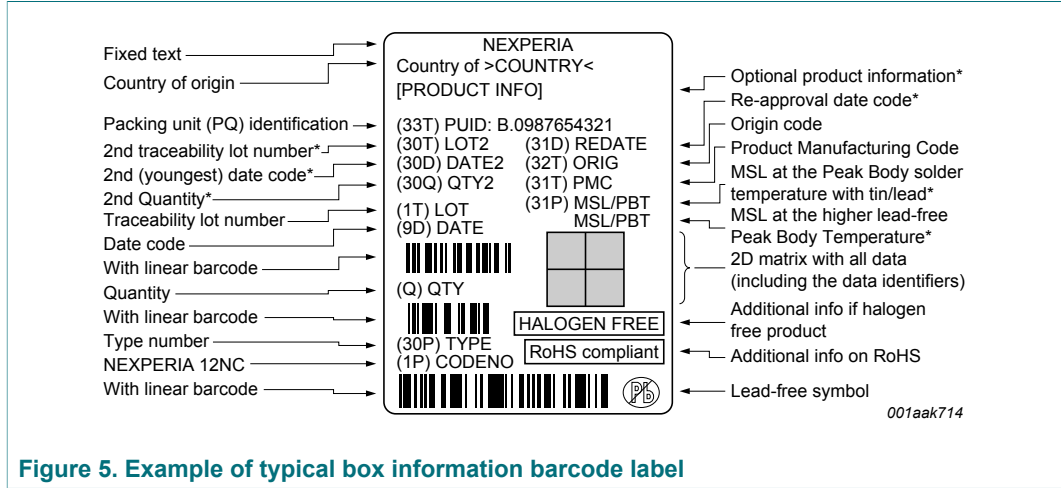


Figure 5. Example of typical box information barcode label

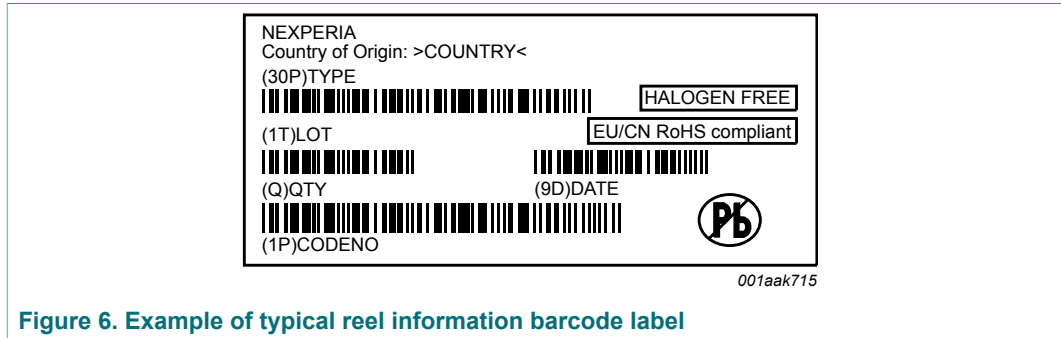


Figure 6. Example of typical reel information barcode label

Table 4. Barcode label dimensions

Box barcode label l × w (mm)	Reel barcode label l × w (mm)
100 × 75	36 × 75

Reel pack, SMD, 7"; Q1/T1 standard product orientation; Orderable part number ending ,115 or X;
Ordering code (12NC) ending 115

6 Revision history

Table 5. Revision history

Document ID	Release date	Packing document status	Change notice	Supersedes
SOD523_115 v.3	20181022	Packing information	-	SOD523_115 v.2
Modifications	<ul style="list-style-type: none"> Update the package orientation drawing to reflect actual device pitch 			
SOD523_115 v.2	20180720	Packing information	-	SOD523_115 v.1
Modifications	<ul style="list-style-type: none"> Updated to Nexperia template 			
SOD523_115 v.1	20121004	Packing information	-	-

Reel pack, SMD, 7"; Q1/T1 standard product orientation; Orderable part number ending ,115 or X;
Ordering code (12NC) ending 115

Contents

1	Packing method	1
2	Product orientation	2
3	Carrier tape dimensions	2
4	Reel dimensions	3
5	Barcode label	4
6	Revision history	5

Please be aware that important notices concerning this document and the product(s) described herein, have been included in section 'Legal information'.

© Nexperia B.V. 2018.

All rights reserved.

For more information, please visit: <http://www.nexperia.com>

For sales office addresses, please send an email to: salesaddresses@nexperia.com

Date of release: 22 October 2018

Looking for pricing, stock, or lifecycle information?

Click below to explore more details on WIN SOURCE:

 [View BA278,115 on WIN SOURCE](#)

 [NXP / Nexperia Information](#)

Optimize Your Supply Chain with WIN SOURCE Solutions

-  Global Sourcing Solution
-  Obsolete Management
-  Cost Control Management
-  Shortage Management
-  Alternative Solution
-  Excess Inventory Management