



**THE DATASHEET OF
BFCN-5540+**



Ceramic

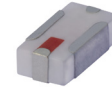
Bandpass Filter

BFCN-5540+

50Ω 4620 to 6640 MHz

The Big Deal

- LTCC construction
- Temperature stable from -55 to +100°C
- Small size (0.12 x .06 X .03")



CASE STYLE: FV1206-4

Product Overview

The BFCN-5540+ LTCC bandpass filter covers the 4620 to 6640 MHz passband with 1.2 dB passband insertion loss, 22 dB lower stopband rejection, and 30 dB upper stopband rejection. This model handles up to 1W RF input power and provides a wide operating temperature range from -55 to +100°C. Utilizing LTCC construction, the filter achieves excellent repeatability of performance and comes in a tiny 1206 ceramic package with wraparound terminations, minimizing performance variations due to parasitics and saving space in dense PCB layouts.

Key Features

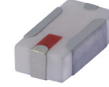
Feature	Advantages
LTCC Construction	Provides a rugged package well suited for tough environments such as high humidity and temperature extremes.
Tiny size (0.12 x .06 x .03")	Saves space in dense circuit boards and minimizes the effects of parasitics.
Wrap-around terminations	Provides excellent solderability and easy visual inspection
Wide operating temperature range, -55 to +100°C	Enables reliable performance in extreme environments



Ceramic Bandpass Filter

50Ω 4620 to 6640 MHz

BFCN-5540+



Generic photo used for illustration purposes only
CASE STYLE: FV1206-4

Features

- Small size
- Temperature stable
- LTCC construction

Applications

- Harmonic Rejection
- Transmitters / Receivers
- Aviation
- Communications
- W-LAN

+RoHS Compliant
The +Suffix identifies RoHS Compliance. See our web site for RoHS Compliance methodologies and qualifications

Available Tape and Reel at no extra cost	
Reel Size	Devices/Reel
7"	20, 50, 100, 200, 500, 1000, 3000

Electrical Specifications^(1,2) at 25°C

Parameter	F#	Frequency (MHz)	Min.	Typ.	Max.	Unit	
Pass Band	Center Frequency	—	—	5540	—	MHz	
	Insertion Loss	F1-F2	4620-6640	—	1.2	4	dB
	VSWR	F1-F2	4620-6640	—	2.1	—	:1
Stop Band, Lower	Insertion Loss	DC-F3	DC-3470	17	22	—	dB
	VSWR	DC-F3	DC-3470	—	25	—	:1
Stop Band, Upper	Insertion Loss	F4-F5	8060-8820	13	30	—	dB
		F5-F6	8820-10990	—	17	—	dB
	VSWR	F4-F6	8060-10990	—	25	—	:1

1. Measured on Mini-Circuits Characterization Test Board TB-824+.

2. This filter is not intended for use as a DC Blocking circuit element. In Application where DC voltage is present at either input or output ports, blocking capacitors are required at the corresponding RF port.

Maximum Ratings

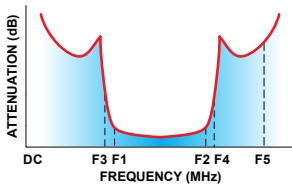
Operating Temperature	-55°C to +100°C
Storage Temperature	-55°C to +100°C
RF Power Input*	1W at 25°C

*Passband rating, derate linearly to 0.25W at 100°C ambient
Permanent damage may occur if any of these limits are exceeded.

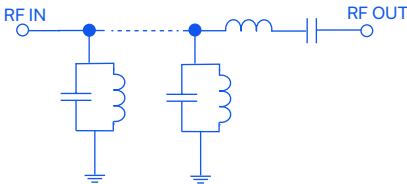
Typical Performance Data at 25°C

Frequency (MHz)	Insertion Loss (dB)	VSWR (:1)
1000	36.33	65.08
2000	25.57	46.87
3400	37.28	39.50
4600	1.39	1.58
5000	1.48	1.95
6600	2.33	2.10
7000	3.54	1.62
7500	16.69	9.78
8000	38.25	15.07
8600	45.83	14.11
9000	35.68	14.34
9500	30.89	17.30
10000	29.47	22.09
10900	40.64	27.46
11000	38.85	26.92

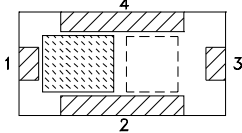
Specification Definition



Functional Schematic



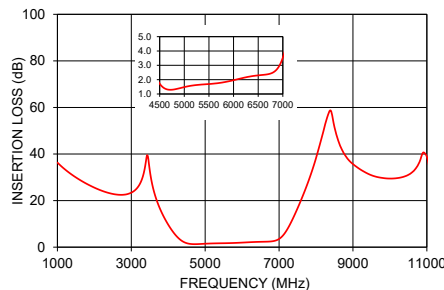
Top View



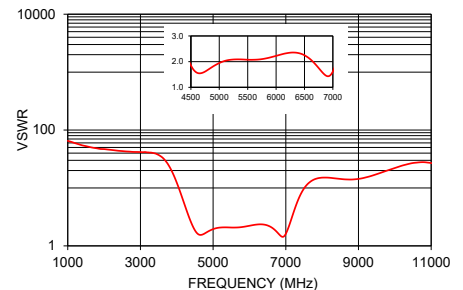
Pad Connections

Input	1
Output	3
Ground	2,4

BFCN-5540+ INSERTION LOSS



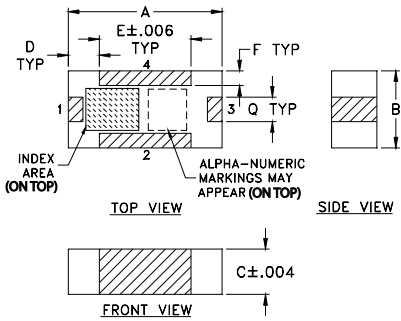
BFCN-5540+ VSWR



Bandpass Filter

BFCN-5540+

Outline Drawing



Pad Connections

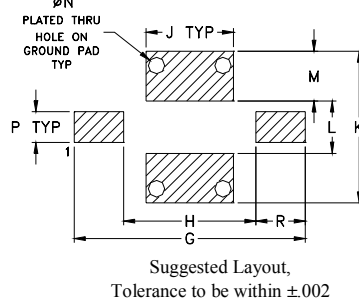
Input	1
Output	3
Ground	2,4

Product Marking: GJ

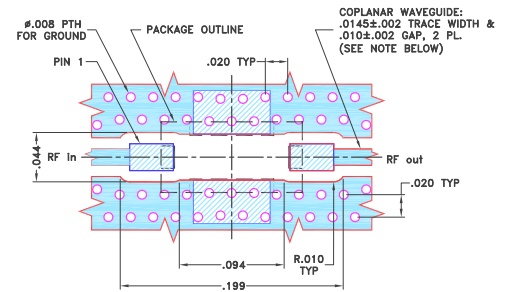
Outline Dimensions (inch/mm)

A	B	C	D	E	F	G	H	J
.126	.063	.037	.026	.075	.012	.182	.104	.069
3.20	1.60	0.94	0.66	1.91	0.30	4.62	2.64	1.75
K	L	M	N	P	Q	R	wt	
.119	.041	.039	.013	.024	.020	.039	grams	
3.02	1.04	0.99	0.33	0.61	0.51	0.99	.020	

PCB Land Pattern



Demo Board MCL P/N: TB-824+ Suggested PCB Layout (PL-454)



NOTES:

- TRACE WIDTH PARAMETERS ARE SHOWN FOR ROGERS R04350B WITH DIELECTRIC THICKNESS $.0066 \pm .0007$ " ; COPPER: 1/2 OZ. EACH SIDE. FOR OTHER MATERIALS TRACE WIDTH AND GAP MAY NEED TO BE MODIFIED.
 - BOTTOM SIDE OF THE PCB IS CONTINUOUS GROUND PLANE.
- Legend:
- DENOTES PCB COPPER LAYOUT WITH SMOBC (SOLDER MASK OVER BARE COPPER).
 - DENOTES COPPER LAND PATTERN FREE OF SOLDER MASK.

Additional Notes

- Performance and quality attributes and conditions not expressly stated in this specification document are intended to be excluded and do not form a part of this specification document.
- Electrical specifications and performance data contained in this specification document are based on Mini-Circuit's applicable established test performance criteria and measurement instructions.
- The parts covered by this specification document are subject to Mini-Circuits standard limited warranty and terms and conditions (collectively, "Standard Terms"); Purchasers of this part are entitled to the rights and benefits contained therein. For a full statement of the Standard Terms and the exclusive rights and remedies thereunder, please visit Mini-Circuits' website at www.minicircuits.com/MCLStore/terms.jsp



Looking for pricing, stock, or lifecycle information?

Click below to explore more details on WIN SOURCE:

 [View BFCN-5540+](#) on WIN SOURCE

 [Mini-Circuits](#) Information

Optimize Your Supply Chain with WIN SOURCE Solutions

-  Global Sourcing Solution
-  Obsolete Management
-  Cost Control Management
-  Shortage Management
-  Alternative Solution
-  Excess Inventory Management