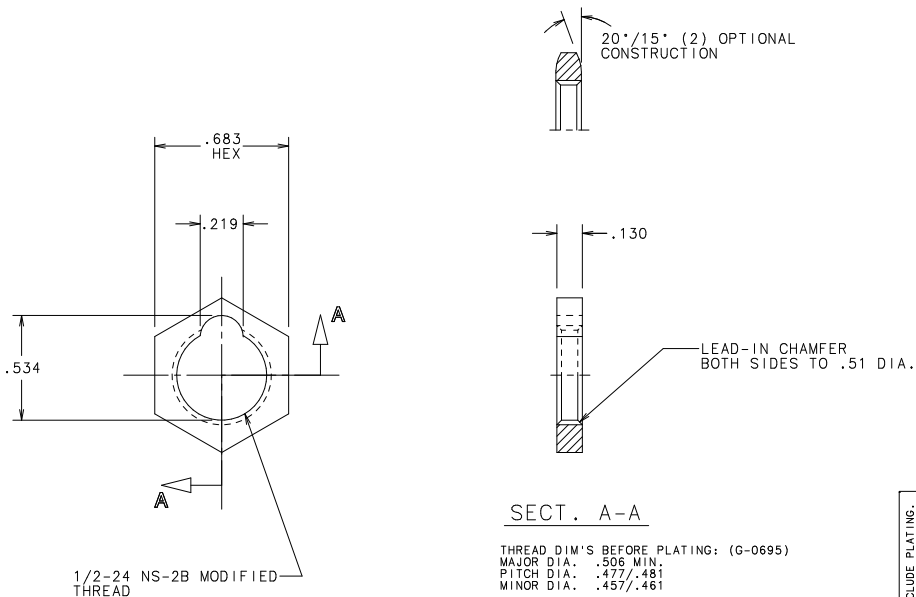




**THE DATASHEET OF**  
**09030012H**





THREAD DIM'S BEFORE PLATING: (G-0695)  
 MAJOR DIA. .506 MIN.  
 PITCH DIA. .477/.481  
 MINOR DIA. .457/.461

THREAD DIM'S AFTER PLATING: (G-0684)  
 MAJOR DIA. .505 MIN.  
 PITCH DIA. .476/.481  
 MINOR DIA. .456/.461

FINISH NOTE:

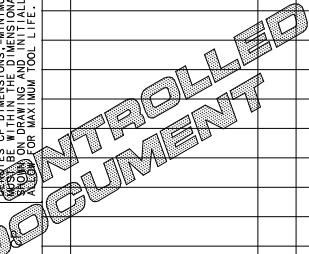
ELECTRODEPOSITED ZINC COATING WITH SUPPLEMENTARY FINISH PER: ASTM B633-98  
 CLASSIFICATION Fe/Zn 12 SERVICE CONDITION SC3 TYPE II YELLOW CHROMATE CONVERSION COATING (SEE NOTE 4)

NO	COMPONENT NO	DESCRIPTION	QTY/M	U/M

BILL OF MATERIAL				
CDPLIES TO	MATL SPEC (AS SUPPLIED STEEL POWDER)	FINISH	SEE FINISH NOTE & NOTE 4	
1	9 18 DRW	JMB	DATE 2/18/98	SCALE 2=1
2	10 19	CHK	DATE	SUPER DRW
3	12 20	APPD	DATE	RAW STK WT
4	13 21		DATE	
5	14 23		DATE	
6	15 33		DATE	
7	16 43		DATE	
8	17 53		DATE	
TOLERANCE UNLESS OTHERWISE SPECIFIED TWO PLACE DEC ±.01 FRACTION ±1 THREE PLACE DEC ±.005 ANGULAR ±1°				
TITLE				
HEX NUT				
HEXAGON DRWG. NO. 903-012				
LITTELFUSE AT				
DES PLANNES, ILL INOIS 60016				

LTR	REVISION	CHK	APD
AR	39025C- REVISED & REDRAWN ON NEW FORMAT 3/13/98 JMB		
AS	80518C - ADD FINISH NOTE, CHG. NOTE 4		
--	4/4/2000	BJJ	
AT	82142D-CHG F0005-20 TO F-00006-.65 MIN. DEN. 5/22/02 P.J.M		

UNLESS OTHERWISE SPECIFIED, DIMENSIONS DO NOT INCLUDE PLATING.  
 DENOTES CRITICAL CHARACTERISTICS.  
 DENOTES CPK DIMENSIONS - MINIMUM CPK VALUE  
 DENOTES A CHARACTERISTIC THAT PROVIDES AN INDICATION OF THE PROCESSING TO BE USED IN THE FABRICATION PROCEDURE FOR MEASUREMENT OF THIS DIMENSION TO THE TOLERANCE SPECIFIED IN THE INSTRUCTIONS.  
 DENOTES CP DIMENSIONS - MINIMUM CP VALUE  
 DIMENSIONS WITHIN THE DIMENSIONAL LIMITATIONS SHOWN BE WITHIN THE DIMENSIONAL TOLERANCE SPECIFIED FOR MAXIMUM TOOL LIFE.



NOTES:

1. AXIS OF THREAD TO BE ⊥ WITHIN 1" TO FACE OF NUT. PITCH DIA. & MAJOR DIA. TO BE CONCENTRIC WITH MINOR DIA. WITHIN .007 T.I.R.
2. PART MUST SPIN FREELY ON "GO" GAGE. PART MAY ENTER "NO-GO" GAGE A MAXIMUM OF TWO THREADS. USE GAGE G-0695 BEFORE PLATING. USE GAGE G-0684 AFTER PLATING.
3. UNPLATED PARTS TO BE PROTECTED AGAINST OXIDATION UNTIL PLATING; PLATING TO BE DONE AS SOON AS POSSIBLE AFTER FABRICATION.
4. PLATED PARTS SHALL MEET THE SALT SPRAY REQUIREMENTS ASTM B-117 96 HOUR SALT SPRAY TEST. (CERTIFICATION REQUIRED).
5. VENDOR & L/F THREAD GAGE CORRELATION REQUIRED.
6. LITTELFUSE TO PLACE 100 NUTS IN BAG -896-259.

## Looking for pricing, stock, or lifecycle information?

Click below to explore more details on WIN SOURCE:

 [View 09030012H on WIN SOURCE](#)

 [Littelfuse Inc. Information](#)

## Optimize Your Supply Chain with WIN SOURCE Solutions

-  Global Sourcing Solution
-  Obsolete Management
-  Cost Control Management
-  Shortage Management
-  Alternative Solution
-  Excess Inventory Management