

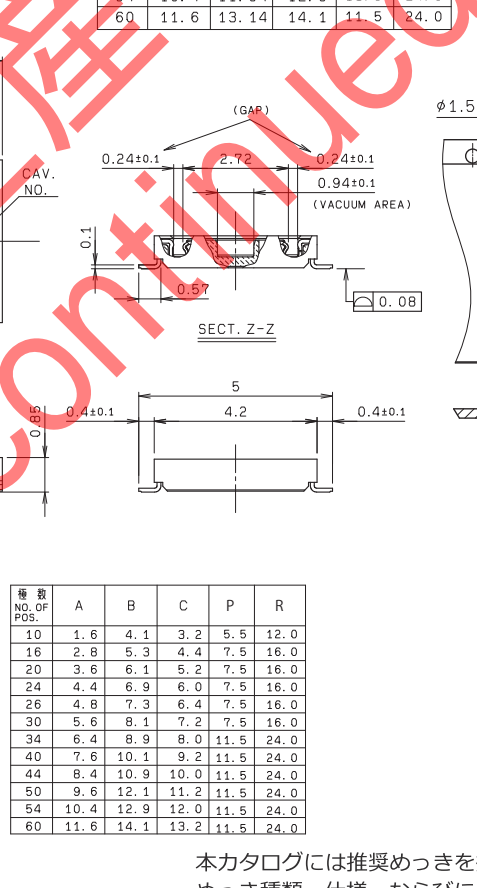
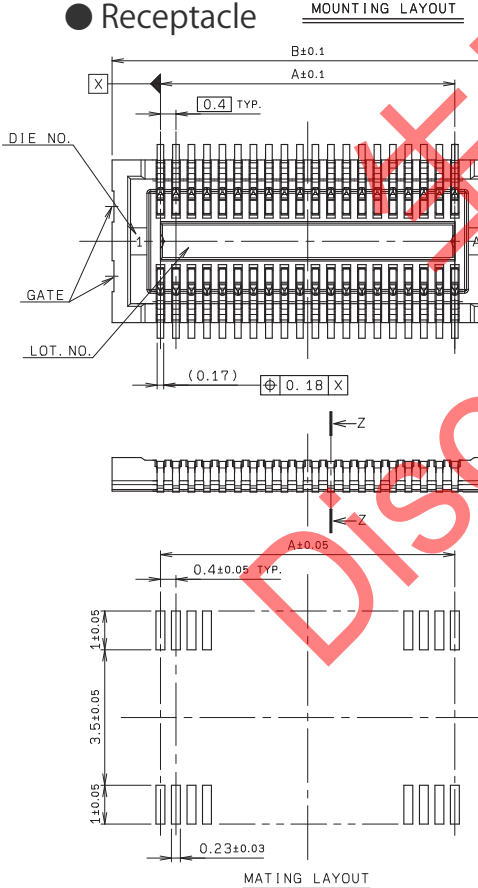
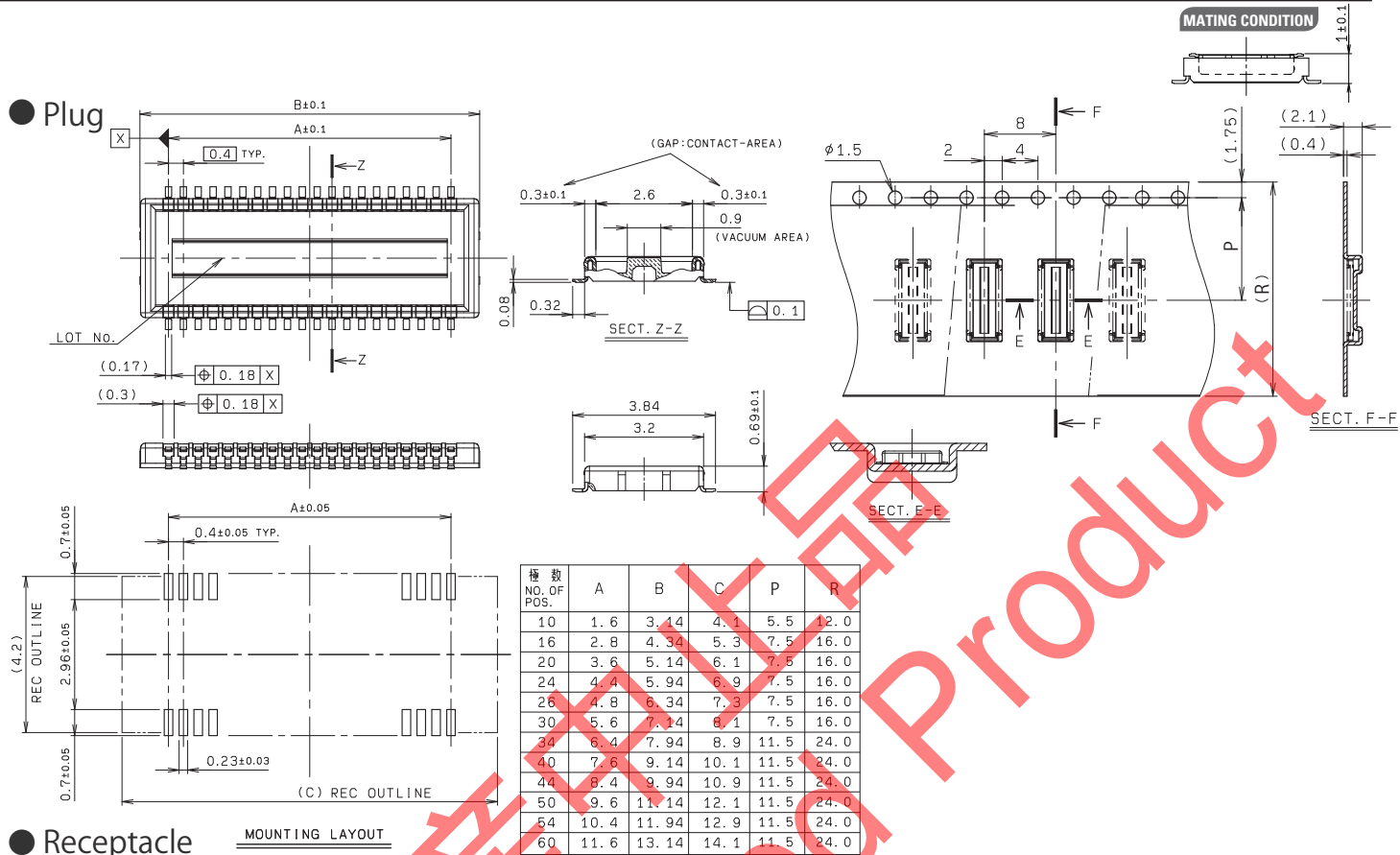


**THE DATASHEET OF  
145805024020829S+**



# 0.4mm Pitch 5805 Series

0.4mmピッチ 嵌合高さ1.0mm 金具無し SMT  
0.4mm Pitch, Stacking Height=1.0mm, Without Metal tab, SMT



極数 NO. OF POS.	A	B	C	P	R
10	1.6	4.1	3.2	5.5	12.0
16	2.8	5.3	4.4	7.5	16.0
20	3.6	6.1	5.2	7.5	16.0
24	4.4	6.9	6.0	7.5	16.0
26	4.8	7.3	6.4	7.5	16.0
30	5.6	8.1	7.2	7.5	16.0
34	6.4	8.9	8.0	11.5	24.0
40	7.6	10.1	9.2	11.5	24.0
44	8.4	10.9	10.0	11.5	24.0
50	9.6	12.1	11.2	11.5	24.0
54	10.4	12.9	12.0	11.5	24.0
60	11.6	14.1	13.2	11.5	24.0

本カタログには推奨めっきを掲載しております。  
めっき種類・仕様、ならびに生産対応可能極数については営業部にご確認願います。  
Recommended plating types are mentioned in this catalogue.  
For other plating types and their specifications, and available numbers of positions, please feel free to contact our sales department.

注文コード/Ordering Code  
Plug  
Part No. 14 5805 OXX 020 829S+  
Receptacle  
Part No. 24 5805 OXX 000 829S+

RoHS 対応品  
RoHS Compliant Product

梱包数量：3,000個/リール  
PACKING QUANTITY: 3,000/Reel

## Looking for pricing, stock, or lifecycle information?

Click below to explore more details on WIN SOURCE:

- [View 145805024020829S+ on WIN SOURCE](#)
- [AVX Corp/Kyocera Corp Information](#)

## Optimize Your Supply Chain with WIN SOURCE Solutions

- ✓ Global Sourcing Solution
- ✓ Obsolete Management
- ✓ Cost Control Management
- ✓ Shortage Management
- ✓ Alternative Solution
- ✓ Excess Inventory Management