



## FEATURES

### Video signal processor

- Full 12-bit, 4:4:4 YCbCr (color space) internal processing
- Motion adaptive deinterlacing with ultralow angle interpolation
- Multiple video processing paths with up to 3 simultaneous video streams including picture-in-picture (PIP) support
- Upscaling and downscaling to/from 4k × 2k
- Aspect ratio conversion/panorama scaling
- Cadence detection for the recovery of original frames from film-based content
- Dual video scalers enable simultaneous output of multiple different resolutions
- Sharpness and detail enhancement
- Noise reduction for random, mosquito, and block noise
- Frame rate converter (FRC)
- Video metrics readback to enable correct phase and frequency selection for graphics inputs

### On-screen display (OSD)

- Internally generated bitmap-based OSD allowing overlay on one or more video outputs
- Overlay on 3D and 4k × 2k video formats
- Dedicated OSD scaler
- Alpha blending of OSD data on video data
- Disturbance free blending of OSD on either of 2 zones
- Support for external OSD

### Easy to use software tool for developing OSDs

### HDMI transmitters

- Dual 4k × 2k HDMI transmitters
- Audio return channel (ARC) support
- Dual audio insertion from TMDS Rx or from audio input pins
- Support for serial audio using the S/PDIF audio pin
- 8-channel I<sup>2</sup>S audio inputs supporting up to 192 kHz sample frequency
- 6-channel direct stream digital (DSD) audio inputs
- Noise shaped video (NSV) 6-DAC video encoder
- Six 12-bit NSV video DACs supporting SD, ED and HD video Rovi Rev. 7.1.L1 (SD) and Rev. 1.4 (ED) compliant
- Professional video features
- Capability to output up to 36-bit TTL pixel data
- Full color space converter on the output TTL pixel data
- TTL video, audio, SPI, and interrupt pins disabled by default
- Ability to synchronize output video to externally applied reference sync signals

## APPLICATIONS

- High end A/V receivers
- Upconverting DVD players/recorders
- Video conferencing and distribution
- HDMI splitters
- Video walls

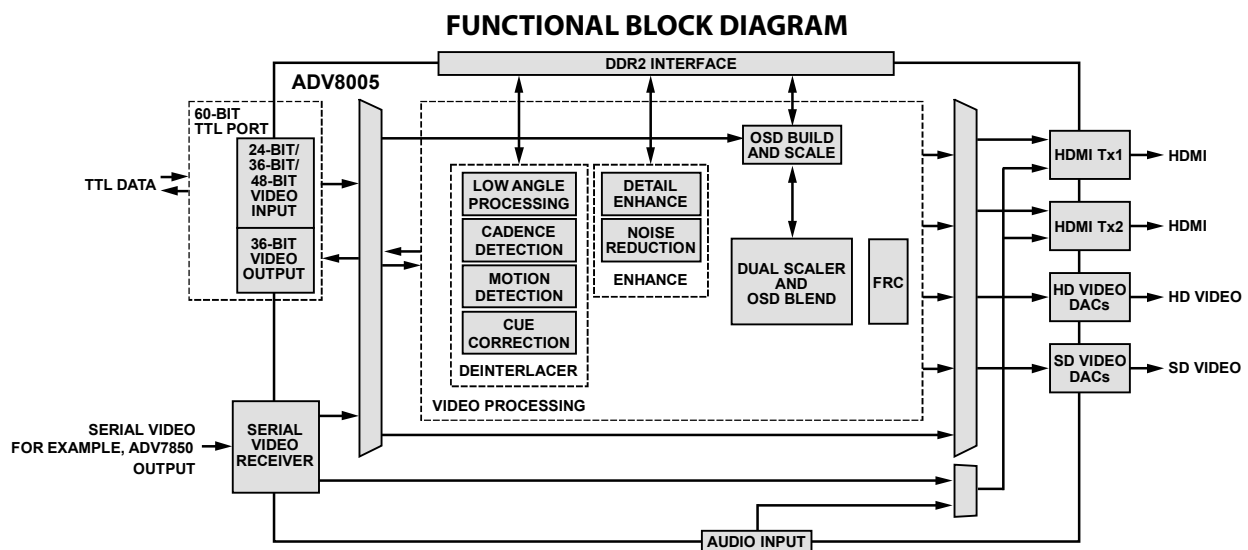


Figure 1.

12074-001

**TABLE OF CONTENTS**

Features .....	1	Professional Configuration .....	45
Applications .....	1	External Sync mode .....	45
Functional Block Diagram .....	1	Flexible Digital Core .....	45
Revision History .....	2	Video Signal Processor (VSP).....	45
General Description .....	3	On-Screen Display (OSD).....	46
ADV8005 Models .....	3	External DDR2 Memory .....	46
Detailed Functional Block Diagram .....	4	HDMI Transmitters .....	46
Specifications.....	5	Video Encoder .....	46
Electrical Characteristics .....	5	Typical Application Diagram.....	47
Analog Specifications.....	7	Design Considerations.....	48
Data and I <sup>2</sup> C Timing Characteristics.....	7	Power-Up Sequence .....	48
Absolute Maximum Ratings.....	17	Thermal Considerations.....	48
ESD Caution.....	17	Register Map Architecture .....	49
Pin Configurations and Function Descriptions .....	18	Outline Dimensions .....	50
Theory of Operation .....	45	Ordering Guide .....	50
Video Input.....	45		

**REVISION HISTORY**

6/14—Revision 0: Initial Version

## GENERAL DESCRIPTION

The [ADV8005](#) is a multiple input video signal processor that can deinterlace and scale standard definition (SD), enhanced definition (ED), or high definition (HD) video data to ultra HD formats; generate a bitmap on-screen display (OSD); and output the video with OSD overlaid on two High-Definition Multimedia Interface (HDMI®) transmitters and a video encoder.

The 60-bit TTL video port can be used to input video to the [ADV8005](#) in a number of ways: using the 48-bit TTL pixel port, using the 24-bit external OSD TTL pixel port, or from a device with an HDMI transmitter such as the [ADV7850](#). The [ADV8005](#) supports many of the formats outlined in the CEA-861-F and VESA specifications, as well as several other widely used timing formats.

The [ADV8005](#) features primary and secondary video scalars that enable simultaneous output of multiple different resolutions. The primary video scalar can upscale to 4k × 2k modes. The secondary video scalar can upscale to 1080p or UXGA graphics. 4k × 2k downscaling is performed using the secondary video scalar, leaving the primary video scalar available for other video processing.

The [ADV8005](#) primary video scalar can perform high performance, motion adaptive interlaced to progressive conversion on SD and HD content. Additional functionality has also been added to [ADV8005](#) to facilitate upscaling and downscaling to VESA formats with pixel clock frequencies below 300 MHz.

Detail enhancement and image enhancing techniques such as random, mosquito, and block noise reduction allow improved final image quality. The frame rate converter of the [ADV8005](#) allows the conversion between common frame rates with support to output two different frame rates simultaneously under certain conditions.

The [ADV8005](#) can accept OSD information from an external OSD source on one of its inputs, or it can internally generate a high quality, bitmap-based OSD. The internal OSD is highly flexible and allows the system designer to easily incorporate features

like scrolling text and animation in various color depths up to 24-bit true color.

Analog Devices, Inc., provides an OSD development tool (Blimp) to assist in the design, debug, and emulation of the OSD prior to integration with the system application. When the design is complete, the OSD development tool automatically generates code to which system application programming interfaces (APIs) can be added before integration with the system application and an OSD design resource, which must be downloaded to an external SPI flash memory.

Video can be output from the [ADV8005](#) using one or both of the HDMI transmitters and/or the six-DAC SD/HD video encoder. The six 12-bit NSV® video DACs allow composite (CVBS), S-Video (Y/C), and component (YPrPb) analog outputs in standard, enhanced, and high definition video formats. Oversampling of 216 MHz (SD and ED) and 297 MHz (HD) removes the requirement for external output filtering. Rovi® and non-Rovi variants of the [ADV8005](#) are available.

Both of the HDMI transmitters on the [ADV8005](#) support 4k × 2k and all mandatory and many optional 3D video resolutions. Each transmitter features an audio return channel receiver (ARC). The [ADV8005](#) can receive up to eight channels of I<sup>2</sup>S, S/PDIF, direct stream digital (DSD), and high bit rate (HBR) audio passed from either the serial video Rx or from the externally available audio input pins.

The [ADV8005](#) supports the I<sup>2</sup>C protocol for communication with the system microcontroller.

### ADV8005 MODELS

The [ADV8005](#) includes a number of models, each featuring different capabilities; all are provided in the same 19 mm × 19 mm, 425-ball CSP\_BGA package (see Table 9).

Note that the functionality of the [ADV8005KBCZ-8A](#) is described throughout this data sheet. Some sections are not relevant to other models because not all of the blocks found in the [ADV8005KBCZ-8A](#) are included in those models. Table 9 lists the functionality for each model.

DETAILED FUNCTIONAL BLOCK DIAGRAM

12074-003

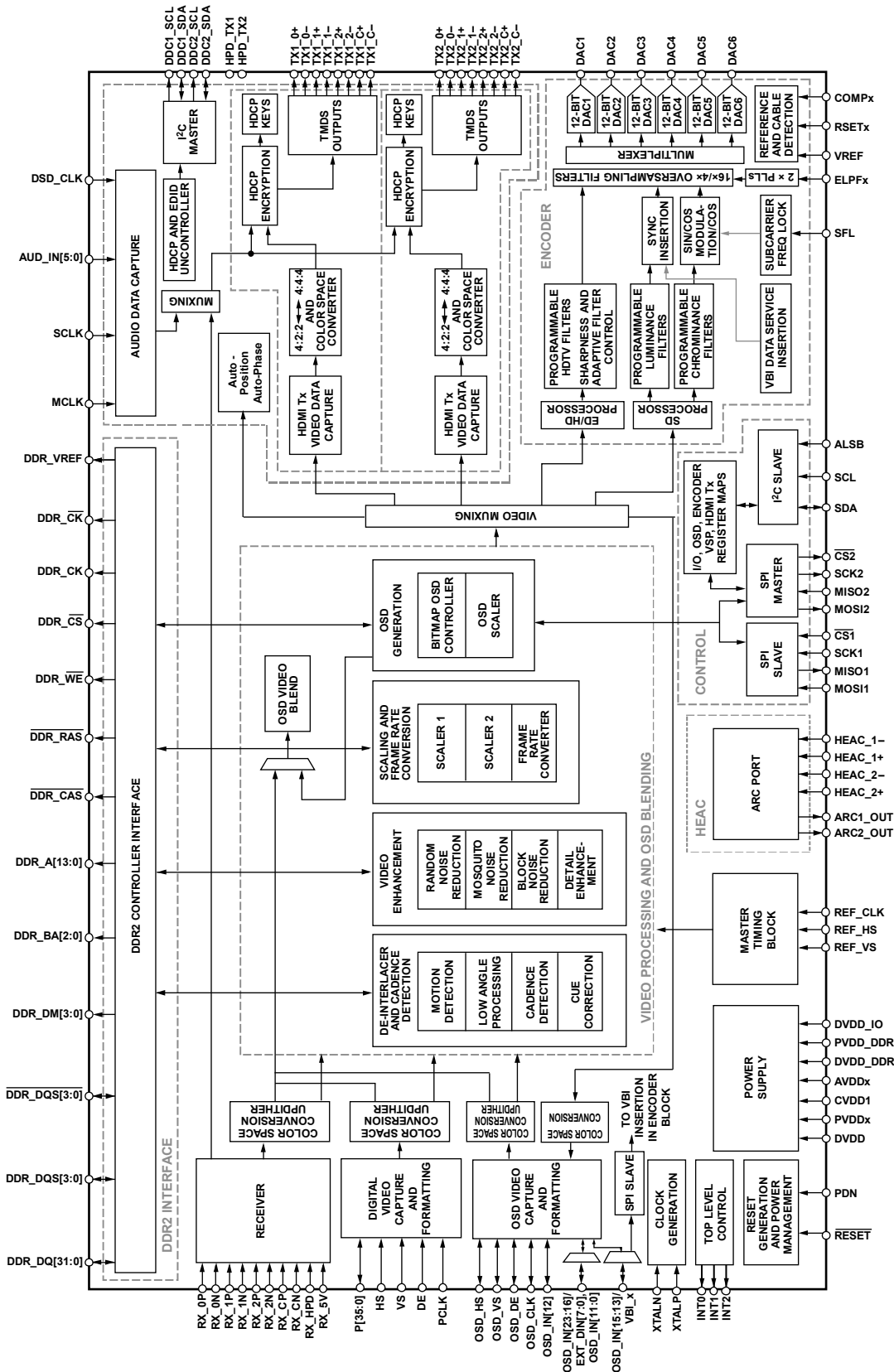


Figure 2. ADV8005KBCZ-8A Functional Block Diagram

## SPECIFICATIONS

Measured at DVDD = 1.746 V to 1.854 V, DVDD\_DDR = 1.746 V to 1.854 V, PVDD1 = 1.746 V to 1.854 V, PVDD2 = 1.746 V to 1.854 V, PVDD3 = 1.746 V to 1.854 V, PVDD5 = 1.789 V to 1.90 V, PVDD6 = 1.789 V to 1.90 V, PVDD\_DDR = 1.746 V to 1.854 V, AVDD3 = 1.746 V to 1.854 V, AVDD4 = 1.746 V to 1.854 V, CVDD1 = 1.746 V to 1.854 V, AVDD1 = 3.20 V to 3.40 V, AVDD2 = 3.20 V to 3.40 V, DVDD\_IO = 3.20 V to 3.40 V, T<sub>MIN</sub> to T<sub>MAX</sub> = 0°C to 70°C, unless otherwise noted.

## ELECTRICAL CHARACTERISTICS

Table 1.

Parameter	Symbol	Test Conditions/Comments	Min	Typ	Max	Unit
<b>STATIC PERFORMANCE</b>						
Resolution (Each DAC)				12		Bits
Integral Nonlinearity, +ve <sup>1</sup>	INL	DAC outputs sampled at 500 kHz		0.389		LSB
Integral Nonlinearity, -ve <sup>1</sup>	INL	DAC outputs sampled at 500 kHz		-0.322		LSB
Differential Nonlinearity, +ve <sup>2</sup>	DNL	DAC outputs sampled at 500 kHz		0.183		LSB
Differential Nonlinearity, -ve <sup>2</sup>	DNL	DAC outputs sampled at 500 kHz		-0.208		LSB
<b>DIGITAL INPUTS</b>						
Input High Voltage	V <sub>IH</sub>		0.7 × DVDD_IO			V
Input Low Voltage	V <sub>IL</sub>				0.3 × DVDD_IO	V
Input Leakage Current	I <sub>IN</sub>	HDMI Ethernet and audio channel (HEAC_x±) inputs DDR_DQS[x] inputs Other digital inputs RESET			±60	μA
Input Capacitance	C <sub>IN</sub>			13		pF
<b>DIGITAL INPUTS (5 V TOLERANT)</b>						
Input High Voltage	V <sub>IH</sub>		3.4			V
Input Low Voltage	V <sub>IL</sub>				0.8	V
Input Leakage Current	I <sub>IN</sub>				±60	μA
<b>DIGITAL OUTPUTS</b>						
Output High Voltage	V <sub>OH</sub>		2.4			V
Output Low Voltage	V <sub>OL</sub>				0.4	V
High Impedance Leakage Current	I <sub>LEAK</sub>				±10	μA
Output Capacitance	C <sub>OUT</sub>			13		pF
<b>POWER REQUIREMENTS<sup>3,4</sup></b>						
Digital Power Supplies	DVDD, DVDD_DDR, PVDD_DDR		1.746	1.8	1.854	V
PLL Analog Supply	PVDD1		1.746	1.8	1.854	V
PLL Digital Supply	PVDD2		1.746	1.8	1.854	V
Encoder PLL Supply	PVDD3		1.746	1.8	1.854	V
HDMI PLL Power Supply <sup>5</sup>						
Transmitter 1 (Tx1)	PVDD5		1.789	1.845	1.90	V
Transmitter 2 (Tx2)	PVDD6		1.789	1.845	1.90	V
HDMI Analog Power Supply						
Tx1	AVDD3		1.746	1.8	1.854	V
Tx2	AVDD4		1.746	1.8	1.854	V
Comparator Power Supply	CVDD1		1.746	1.8	1.854	V
HDMI Rx Inputs Analog Supply	AVDD1		3.20	3.3	3.40	V
Encoder Analog Power Supply	AVDD2		3.20	3.3	3.40	V
Digital Interface Supply	DVDD_IO		3.20	3.3	3.40	V

Parameter	Symbol	Test Conditions/Comments	Min	Typ	Max	Unit
Digital Power Supply Currents	I <sub>DVDD</sub> , I <sub>DVDD_DR</sub> , I <sub>PVDD_DDR</sub>	Mode 1		1693.9		mA
		Mode 2		1508.1		mA
		Power-down mode		11.7		mA
PLL Analog Supply Current	I <sub>PVDD1</sub>	Mode 1		23.0		mA
		Mode 2		20.5		mA
		Power-down mode		0.9		mA
PLL Digital Supply Current	I <sub>PVDD2</sub>	Mode 1		21.3		mA
		Mode 2		19.26		mA
		Power-down mode		0.06		mA
Encoder PLL Supply Current	I <sub>PVDD3</sub>	Mode 1		13.8		mA
		Mode 2		3.27		mA
		Power-down mode		0.01		mA
HDMI Tx1 PLL Supply Current	I <sub>PVDD5</sub>	Mode 1		74.9		mA
		Mode 2		59.0		mA
		Power-down mode		0		mA
HDMI Tx2 PLL Supply Current	I <sub>PVDD6</sub>	Mode 1		75.0		mA
		Mode 2		0.5		mA
		Power-down mode		0		mA
HDMI Tx1 Analog Power Supply Current	I <sub>AVDD3</sub>	Mode 1		29.4		mA
		Mode 2		19.7		mA
		Power-down mode		0		mA
HDMI Tx2 Analog Power Supply Current	I <sub>AVDD4</sub>	Mode 1		26.6		mA
		Mode 2		0.6		mA
		Power-down mode		0		mA
Comparator Power Supply Current	I <sub>CVDD1</sub>	Mode 1		78.4		mA
		Mode 2		73.4		mA
		Power-down mode		1.1		mA
HDMI Rx Inputs Analog Supply Current	I <sub>AVDD1</sub>	Mode 1		63.1		mA
		Mode 2		57.6		mA
		Power-down mode		0.2		mA
Encoder Analog Power Supply	I <sub>AVDD2</sub>	Mode 1		38.0		mA
		Mode 2		34.9		mA
		Power-down mode		2.1		mA
Digital Interface Supply Current	I <sub>DVDD_IO</sub>	Mode 1		3.0		mA
		Mode 2		1.3		mA
		Power-down mode		0		mA

<sup>1</sup> Integral nonlinearity (INL) measures the deviation of the actual DAC transfer function from the ideal. For +ve INL, the actual line lies above the ideal line value. For -ve INL, the actual line lies below the ideal line value.

<sup>2</sup> Differential nonlinearity (DNL) measures the deviation of the actual DAC output voltage step from the ideal. For +ve DNL, the actual step value lies above the ideal step value. For -ve DNL, the actual step value lies below the ideal step value.

<sup>3</sup> Mode 1 involves a 1080i, 60 Hz input to the **ADV8005** receiver and a 720p, 60 Hz input to the **ADV8005** TTL external OSD input. Both inputs are run through the front-end color space converters. The 1080i, 60 Hz video stream is deinterlaced and upsampled to 4k × 2k at 24 Hz. The 720p video stream is input to the OSD block and is blended onto the 4k × 2k at 24 Hz video stream using the OSD block scaler. Both HDMI transmitters are then driven using the 4k × 2k at 24 Hz output.

<sup>4</sup> Mode 2 involves a 1080i, 60 Hz input to the **ADV8005** receiver. This input is run through the front-end color space converter. The 1080i, 60 Hz video stream is deinterlaced and is output to HDMI Tx1. The secondary VSP is used to convert the 1080p video stream to 480i and is output using the SD encoder.

<sup>5</sup> For normal operation, set the Tx PVDD5 and PVDD6 supplies to 1.845 V ± 3%. However, if the **ADV8005** die temperature is kept below 100°C, it is possible to use PVDD5 and PVDD6 with a reduced nominal voltage supply level of 1.8 V ± 3%. It is possible to measure the die temperature (T<sub>J</sub>) of the **ADV8005** using the method outlined in the Thermal Considerations section. If using this reduced voltage level with Tx PVDD5 and PVDD6, it is the responsibility of the customer to ensure that the die temperature is below 100°C when used in the highest power mode of the application and at its highest ambient temperature.

## ANALOG SPECIFICATIONS

Table 2.

Parameter	Symbol	Test Conditions/Comments	Min	Typ	Max	Unit
OUTPUT						
Low Drive Output Current (Full Scale)		$R_{SET} = 4.12 \text{ k}\Omega$ , $R_L = 300 \Omega$	3.95	4.3	4.5	mA
Output Compliance	$V_{OC}$		0		1.4	V
Output Capacitance	$C_{OUT}$	DAC1, DAC2, DAC3 DAC4, DAC5, DAC6		9		pF
				9		pF
DAC						
DAC-to-DAC Matching		DAC1 to DAC6		0.9		%
DAC Analog Output Skew		DAC1 to DAC6		0.2		ns

DATA AND I<sup>2</sup>C TIMING CHARACTERISTICS

For input timing measurements,  $V_{IH} = DVDD\_IO$  and  $V_{IL} = GND$ .

Table 3.

Parameter	Symbol	Test Conditions/Comments	Min	Typ	Max	Unit
TMDS CLOCK						
TMDS Input Clock Frequency			25		297	MHz
TMDS Output Clock Frequency			25		297	MHz
CLOCK AND CRYSTAL						
Crystal (XTAL) Frequency				27		MHz
Stability					±50	ppm
Video Input Clock Frequency						
Range						
Primary			13.5		162	MHz
Secondary			13.5		162	MHz
Video Output Clock Frequency			13.5		162	MHz
Range						
Serial Clock Frequency						
Serial Port 1 (SCK1)					50	MHz
Serial Port 2 (SCK2)			11.5		81	MHz
Serial Port 3 (VBI_SCK)					27	MHz
Audio Frequency						
SCLK					49.152	MHz
MCLK					98.304	MHz
DSD_CLK					5.6448	MHz
FAST I <sup>2</sup> C PORTS <sup>1</sup>		See Figure 3				
SCL Frequency					400	kHz
SCL Minimum Pulse Width High	$t_1$		600			ns
SCL Minimum Pulse Width Low	$t_2$		1.3			μs
Start Condition Hold Time	$t_3$		600			ns
Start Condition Setup Time	$t_4$		600			ns
SDA Setup Time	$t_5$		100			ns
SCL and SDA Rise Time	$t_6$				300	ns
SCL and SDA Fall Time	$t_7$				300	ns
Stop Condition Setup Time	$t_8$		0.6			μs
SERIAL PORT <sup>2,3</sup>						
Master Serial Port (Serial Port 2)		See Figure 4, Figure 5, and Figure 6				
$\overline{CS2}$ Falling Edge to SCK2 Rising/Falling Edge	$t_9, t_{10}$	$t_9$ or $t_{10}$ , depending on the values of CPHA and CPOL	$1 \times SCK2^4$		$1.5 \times SCK2^4$	ns
SCK2 Rising/Falling Edge to $\overline{CS2}$ Rising Edge	$t_{11}, t_{12}$	$t_{11}$ or $t_{12}$ , depending on the values of CPHA and CPOL	$1 \times SCK2^4$		$1.5 \times SCK2^4$	ns

Parameter	Symbol	Test Conditions/Comments	Min	Typ	Max	Unit
$\overline{CS2}$ Pulse Width	t <sub>13</sub>		1880		1900	ns
SCK2 High Time	t <sub>14</sub>		0.45 × SCK2 <sup>4</sup>		0.55 × SCK2 <sup>4</sup>	% duty cycle
SCK2 Low Time			0.45 × SCK2 <sup>4</sup>		0.55 × SCK2 <sup>4</sup>	% duty cycle
MOSI2 Start of Data Invalid to SCK2 Falling Edge	t <sub>15</sub>	SPI Mode 0, SPI Mode 3			1.45	ns
$\overline{CS2}$ Start of Data Invalid to SCK2 Falling Edge	t <sub>15</sub>	SPI Mode 0, SPI Mode 3			1.21	ns
SCK2 Falling Edge to MOSI2 End of Data Invalid	t <sub>16</sub>	SPI Mode 0, SPI Mode 3			0.08	ns
SCK2 Falling Edge to $\overline{CS2}$ End of Data Invalid	t <sub>16</sub>	SPI Mode 0, SPI Mode 3			0.19	ns
MISO2 Setup Time	t <sub>17</sub>	Valid regardless of the SCK2 active edge used	11.19			ns
MISO2 Hold Time	t <sub>18</sub>	Valid regardless of the SCK2 active edge used	0.0			ns
MOSI2 Start of Data Invalid to SCK2 Rising Edge	t <sub>19</sub>	SPI Mode 1, SPI Mode 2			1.45	ns
$\overline{CS2}$ Start of Data Invalid to SCK2 Rising Edge	t <sub>19</sub>	SPI Mode 1, SPI Mode 2			1.21	ns
SCK2 Rising Edge to MOSI2 End of Data Invalid	t <sub>20</sub>	SPI Mode 1, SPI Mode 2			0.08	ns
SCK2 Rising Edge to $\overline{CS2}$ End of Data Invalid	t <sub>20</sub>	SPI Mode 1, SPI Mode 2			0.19	ns
MISO2 Setup Time	t <sub>21</sub>	Valid regardless of the SCK2 active edge used	11.19			ns
MISO2 Hold Time	t <sub>22</sub>	Valid regardless of the SCK2 active edge used	0.0			ns
Slave Mode (Serial Port 1)		See Figure 7, Figure 8, and Figure 9				
$\overline{CS1}$ Falling Edge to SCK1 Rising/Falling Edge	t <sub>23</sub> , t <sub>24</sub>	t <sub>23</sub> or t <sub>24</sub> , depending on the values of CPHA and CPOL	50.0			ns
SCK1 Rising/Falling Edge to $\overline{CS1}$ Rising Edge	t <sub>25</sub> , t <sub>26</sub>	t <sub>25</sub> or t <sub>26</sub> , depending on the values of CPHA and CPOL	50.0			ns
$\overline{CS1}$ Pulse Width	t <sub>27</sub>			5 × SCK1 <sup>4</sup>		ns
SCK1 High Time	t <sub>30</sub>		0.45 × SCK1 <sup>4</sup>		0.55 × SCK1 <sup>4</sup>	% duty cycle
SCK1 Low Time			0.45 × SCK1 <sup>4</sup>		0.55 × SCK1 <sup>4</sup>	% duty cycle
MOSI1 Setup Time	t <sub>31</sub>	SPI Mode 0, SPI Mode 3	1.63			ns
MOSI1 Hold Time	t <sub>32</sub>	SPI Mode 0, SPI Mode 3	0.66			ns
SCK1 Falling Edge to MISO1 Start of Data Invalid	t <sub>33</sub>	SPI Mode 0, SPI Mode 3			5.7	ns
SCK1 Falling Edge to MISO1 End of Data Invalid	t <sub>34</sub>	SPI Mode 0, SPI Mode 3			12.16	ns
MOSI1 Setup Time	t <sub>35</sub>	SPI Mode 1, SPI Mode 2	1.63			ns
MOSI1 Hold Time	t <sub>36</sub>	SPI Mode 1, SPI Mode 2	0.66			ns
SCK1 Rising Edge to MISO1 Start of Data Invalid	t <sub>37</sub>	SPI Mode 1, SPI Mode 2			5.7	ns
SCK1 Rising Edge to MISO1 End of Data Invalid	t <sub>38</sub>	SPI Mode 1, SPI Mode 2			12.16	ns
Slave Mode (Serial Port 3)		See Figure 10				
VBI_SCK High Time	t <sub>39</sub>		0.45 × VBI_SCK <sup>4</sup>		0.55 × VBI_SCK <sup>4</sup>	% duty cycle
VBI_SCK Low Time			0.45 × VBI_SCK <sup>4</sup>		0.55 × VBI_SCK <sup>4</sup>	% duty cycle
VBI_ $\overline{CS}$ Pulse Width				5 × VBI_SCK		ns
VBI_ $\overline{CS}$ , VBI_MOSI Setup Time	t <sub>40</sub>	SPI Mode 0 only	1.27			ns
VBI_ $\overline{CS}$ , VBI_MOSI Hold Time	t <sub>41</sub>	SPI Mode 0 only	0.15			ns

Parameter	Symbol	Test Conditions/Comments	Min	Typ	Max	Unit
SPI Passthrough Mode		See Figure 11				
Data Transition on SCK1 to Start of Data Invalid on SCK2	t <sub>42</sub>				4.97	ns
Data Transition on SCK1 to End of Data Invalid on SCK2	t <sub>43</sub>				10.10	ns
Data Transition on MOSI1 to Start of Data Invalid on MOSI2	t <sub>42</sub>				5.32	ns
Data Transition on MOSI1 to End of Data Invalid on MOSI2	t <sub>43</sub>				10.82	ns
Data Transition on MISO2 to Start of Data Invalid on MISO1	t <sub>42</sub>				4.36	ns
Data Transition on MISO2 to End of Data Invalid on MISO1	t <sub>43</sub>				8.85	ns
Data Transition on $\overline{CS1}$ to Start of Data Invalid on $\overline{CS2}$	t <sub>42</sub>				5.32	ns
Data Transition on $\overline{CS1}$ to End of Data Invalid on $\overline{CS2}$	t <sub>43</sub>				10.91	ns
RESET FUNCTION						
Reset Pulse Width			5			ms
VIDEO DATA AND CONTROL INPUTS <sup>3</sup>		See Figure 12 to Figure 16				
PCLK High Time	t <sub>44</sub>		0.45 × PCLK <sup>4</sup>		0.55 × PCLK <sup>4</sup>	% duty cycle
PCLK Low Time			0.45 × PCLK <sup>4</sup>		0.55 × PCLK <sup>4</sup>	% duty cycle
OSD_CLK High Time	t <sub>51</sub>	OSD_CLK signal of Pin A3	0.45 × OSD_CLK <sup>4</sup>		0.55 × OSD_CLK <sup>4</sup>	% duty cycle
OSD_CLK Low Time		OSD_CLK signal of Pin A3	0.45 × OSD_CLK <sup>4</sup>		0.55 × OSD_CLK <sup>4</sup>	% duty cycle
Main Video Input, SDR and DDR Modes Setup Time (Data Latched on Rising Edge)	t <sub>45</sub>		1.28			ns
Main Video Input, SDR and DDR Modes Hold Time (Data Latched on Rising Edge)	t <sub>46</sub>		1.67			ns
Main Video Input, DDR Mode Setup Time (Data Latched on Falling Edge)	t <sub>47</sub>		1.28			ns
Main Video Input, DDR Mode Hold Time (Data Latched on Falling Edge)	t <sub>48</sub>		1.67			ns
Interleaved Video Input, SDR Setup Time (Data Latched on Rising Edge)	t <sub>49</sub>	Used for 300 MHz TTL data	1.28			ns
Interleaved Video Input, SDR Hold Time (Data Latched on Rising Edge)	t <sub>50</sub>	Used for 300 MHz TTL data	1.67			ns
External OSD Input, SDR and DDR Modes Setup Time (Data Latched on Rising Edge)	t <sub>52</sub>		1.28			ns
External OSD Input, SDR and DDR Modes Hold Time (Data Latched on Rising Edge)	t <sub>53</sub>		1.67			ns
External OSD Input, DDR Mode Setup Time (Data Latched on Rising Edge)	t <sub>54</sub>		1.28			ns
External OSD Input, DDR Mode Hold Time (Data Latched on Rising Edge)	t <sub>55</sub>		1.67			ns

Parameter	Symbol	Test Conditions/Comments	Min	Typ	Max	Unit
VIDEO DATA AND CONTROL OUTPUTS <sup>3</sup>		See Figure 17 and Figure 18				
OSD_CLK High Time	t <sub>56</sub>		0.40 × OSD_CLK <sup>4</sup>		0.60 × OSD_CLK <sup>4</sup>	% duty cycle
OSD_CLK Low Time			0.40 × OSD_CLK <sup>4</sup>		0.60 × OSD_CLK <sup>4</sup>	% duty cycle
Data and Control Start of Data Invalid to OSD_CLK Active Edge (Data Latched on Falling Edge)	t <sub>57</sub>				0.3	ns
OSD_CLK Active Edge to Data and Control End of Data Invalid (Data Latched on Falling Edge)	t <sub>58</sub>				1.66	ns
Data and Control Start of Data Invalid to OSD_CLK Active Edge (Data Latched on Rising Edge)	t <sub>59</sub>				0.62	ns
OSD_CLK Active Edge to Data and Control End of Data Invalid (Data Latched on Rising Edge)	t <sub>60</sub>				1.12	ns
S/PDIF INPUT <sup>3</sup>		See Figure 19 and Figure 20				
MCLK High Time	t <sub>61</sub>		0.45 × MCLK <sup>4</sup>		0.55 × MCLK <sup>4</sup>	% duty cycle
MCLK Low Time			0.45 × MCLK <sup>4</sup>		0.55 × MCLK <sup>4</sup>	% duty cycle
S/PDIF Data Setup Time	t <sub>62</sub>		1.4			ns
S/PDIF Data Hold Time	t <sub>63</sub>		1.38			ns
I <sup>2</sup> S PORT, SLAVE MODE <sup>3</sup>		See Figure 21				
SCLK High Time	t <sub>64</sub>		0.45 × SCLK <sup>4</sup>		0.55 × SCLK <sup>4</sup>	% duty cycle
SCLK Low Time			0.45 × SCLK <sup>4</sup>		0.55 × SCLK <sup>4</sup>	% duty cycle
I <sup>2</sup> S Data Setup Time	t <sub>65</sub>		1.91			ns
I <sup>2</sup> S Data Hold Time	t <sub>66</sub>		1.1			ns
DSD PORT <sup>3</sup>		See Figure 26				
DSD_CLK High Time	t <sub>67</sub>		0.45 × DSD_CLK <sup>4</sup>		0.55 × DSD_CLK <sup>4</sup>	% duty cycle
DSD_CLK Low Time			0.45 × DSD_CLK <sup>4</sup>		0.55 × DSD_CLK <sup>4</sup>	% duty cycle
DSD Data Setup Time	t <sub>68</sub>		1.66			ns
DSD Data Hold Time	t <sub>69</sub>		1.44			ns
EXTERNAL SYNC TIMING MODE <sup>3</sup>		See Figure 27				
REF_CLK High Time	t <sub>70</sub>		0.45 × REF_CLK <sup>4</sup>		0.55 × REF_CLK <sup>4</sup>	% duty cycle
REF_CLK Low Time			0.45 × REF_CLK <sup>4</sup>		0.55 × REF_CLK <sup>4</sup>	% duty cycle
REF Data Setup Time	t <sub>71</sub>		1.35			ns
REF Data Hold Time	t <sub>72</sub>		1.33			ns

<sup>1</sup> It is possible to run I<sup>2</sup>C at faster speeds; however, it has been characterized to run only in fast mode.

<sup>2</sup> All serial port measurements are for the default polarity and phase settings (clock low in idle state and negative edge used).

<sup>3</sup> All measurements are guaranteed by design only.

<sup>4</sup> Specification is in clock periods; for example, 1 × SCK2 periods.

Timing Diagrams

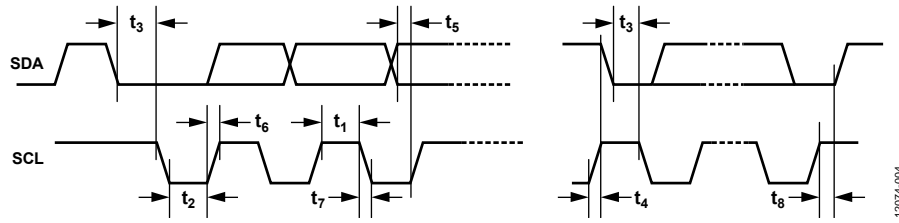


Figure 3. I²C Timing

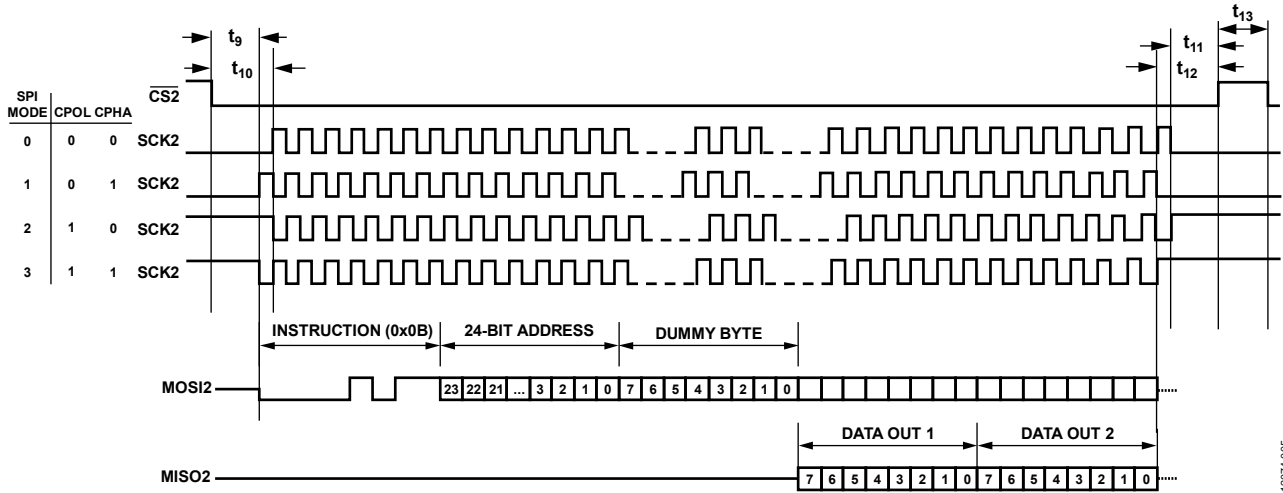


Figure 4. Detailed SPI Master Timing Diagram (Serial Port 2)

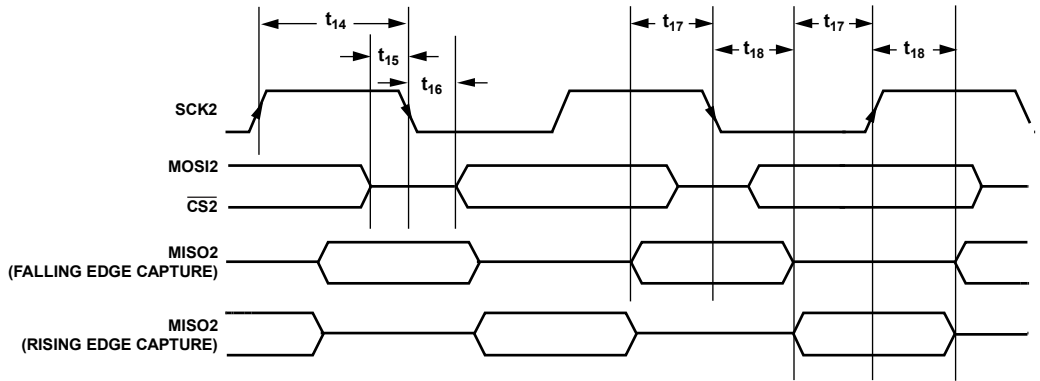


Figure 5. Serial Port 2 Master Mode Timing (SPI Mode 0 and SPI Mode 3)

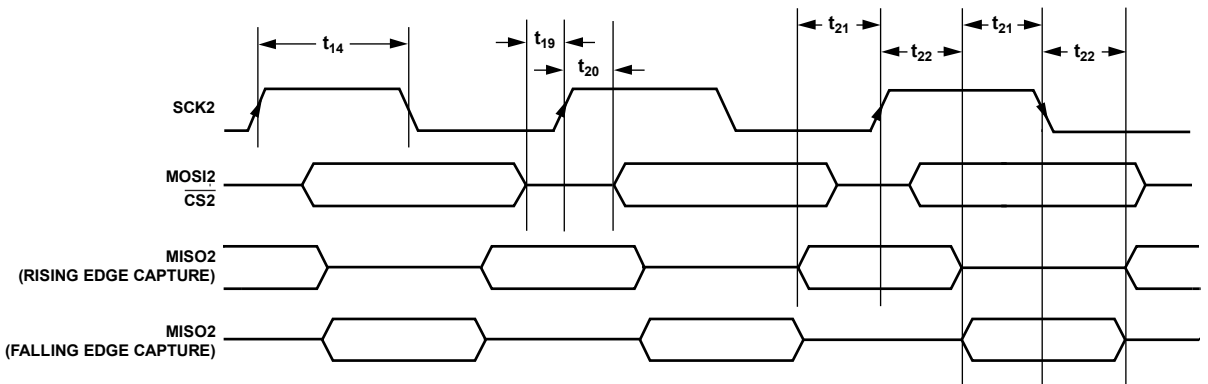


Figure 6. Serial Port 2 Master Mode Timing (SPI Mode 1 and SPI Mode 2)

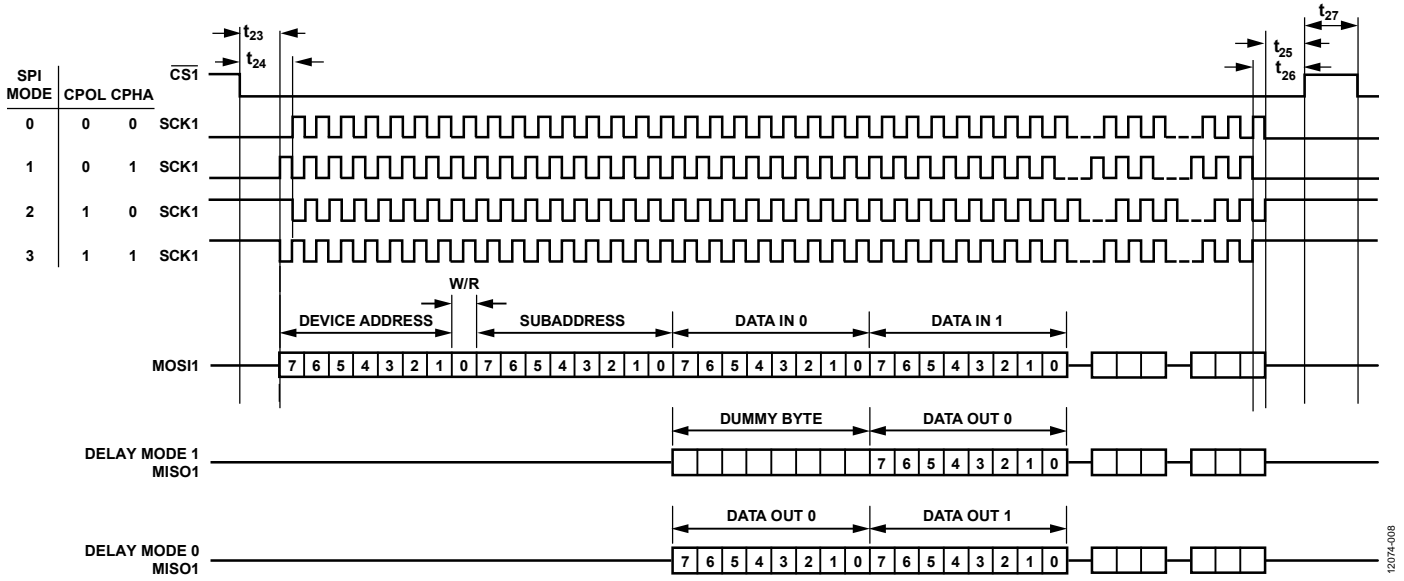


Figure 7. Detailed SPI Slave Timing Diagram (Serial Port 1)

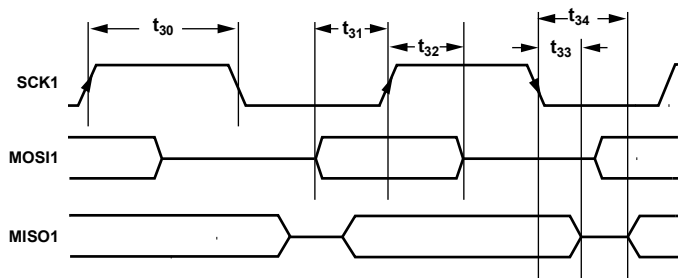


Figure 8. Serial Port 1 Slave Mode Timing (SPI Mode 0 and SPI Mode 3)

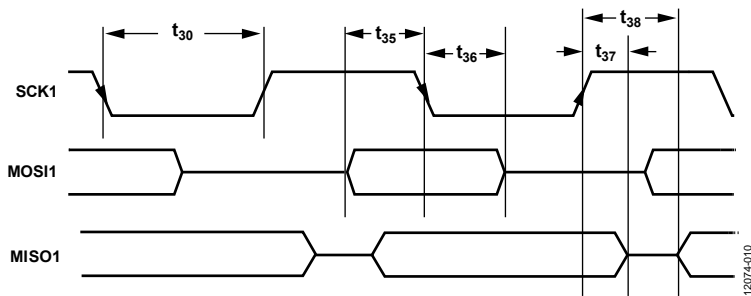


Figure 9. Serial Port 1 Slave Mode Timing (SPI Mode 1 and SPI Mode 2)

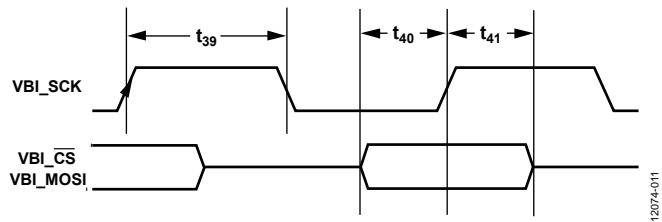


Figure 10. Serial Port 3 Slave Mode Timing (SPI Mode 0 Only)

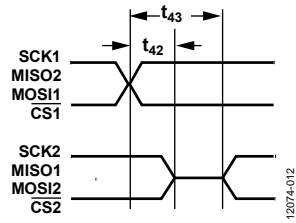


Figure 11. SPI Passthrough Mode (Serial Port 1 and Serial Port 2)

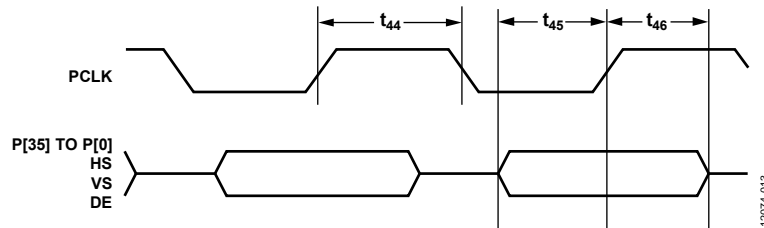


Figure 12. Main Video Input, Noninterleaved SDR Video Data and Control Timing

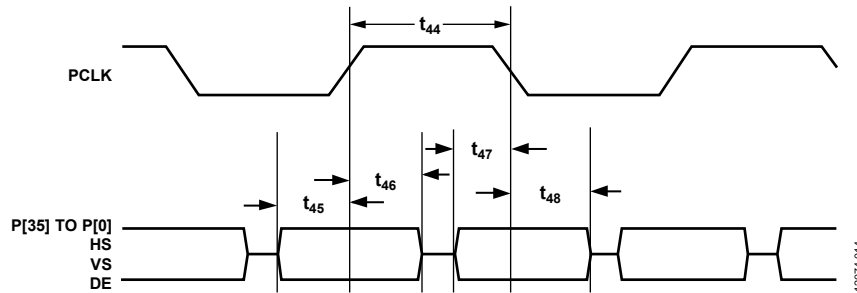


Figure 13. Main Video Input, Noninterleaved DDR Video Data and Control Timing

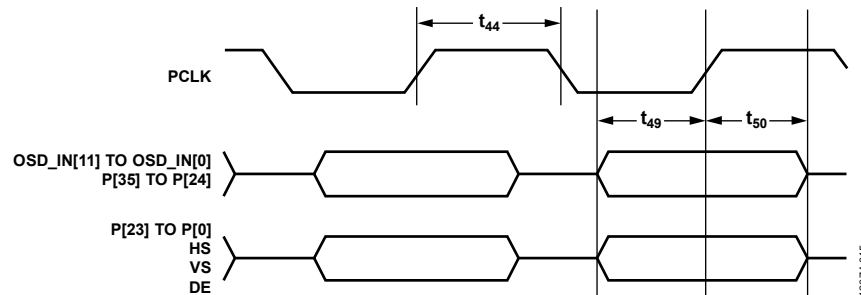


Figure 14. Interleaved SDR Video Data and Control Input Timing

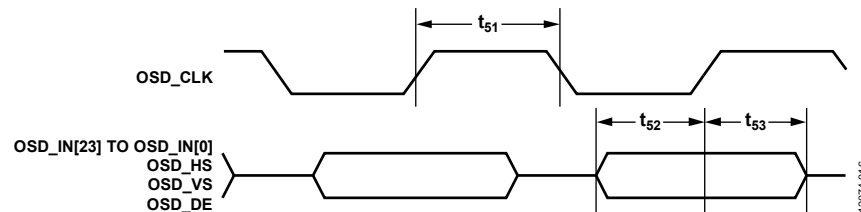


Figure 15. External OSD Input, Noninterleaved SDR Video Data and Control Timing

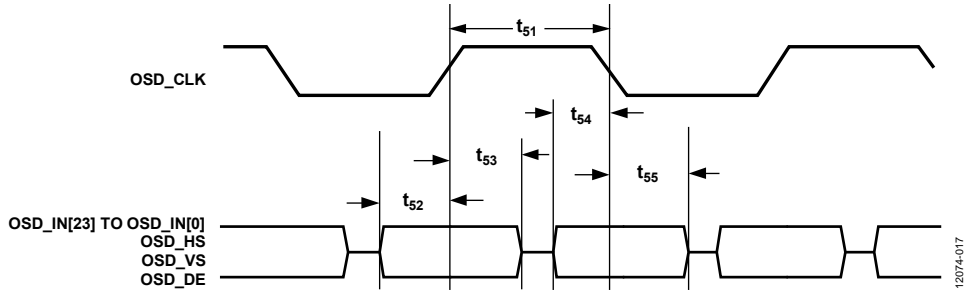


Figure 16. External OSD Input, Noninterleaved DDR Video Data and Control Timing

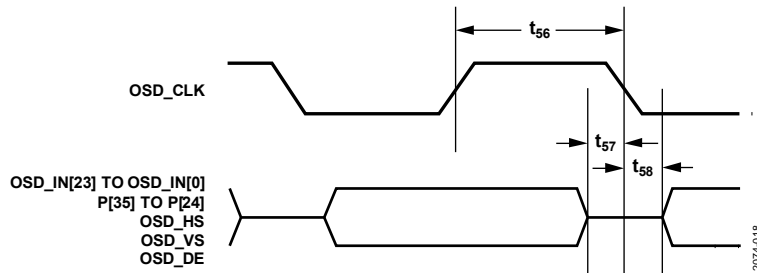


Figure 17. SDR Video Data and Control Output Timing (Data Launched on Falling Edge)

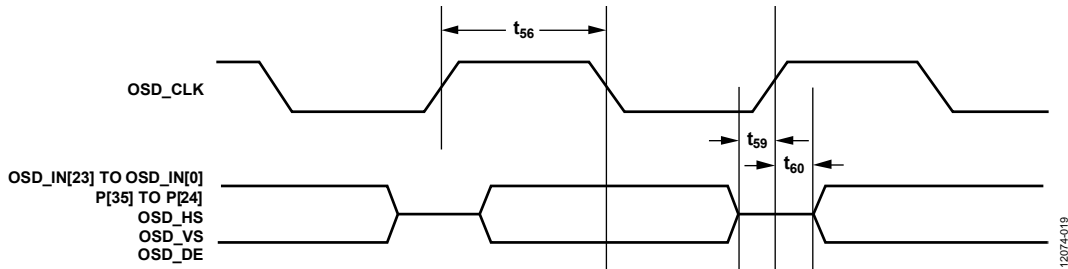


Figure 18. SDR Video Data and Control Output Timing (Data Launched on Rising Edge)

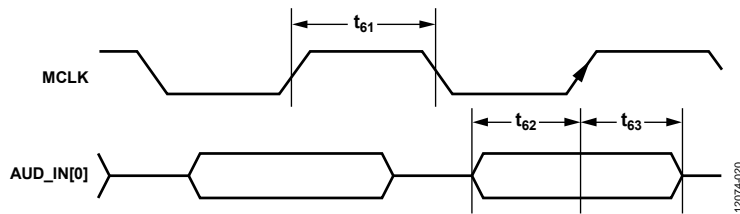


Figure 19. S/PDIF Input Timing, Data Latched on Rising Edge

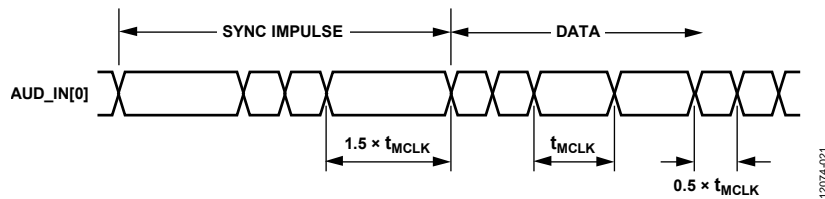


Figure 20. S/PDIF Data Timing

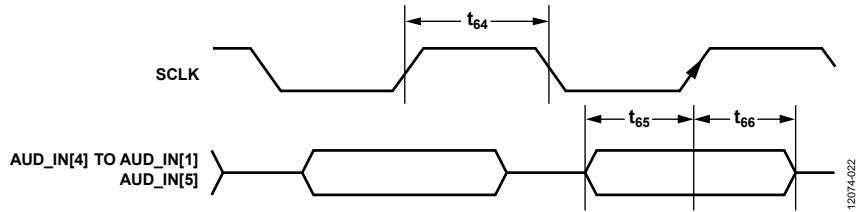


Figure 21. I²S Timing

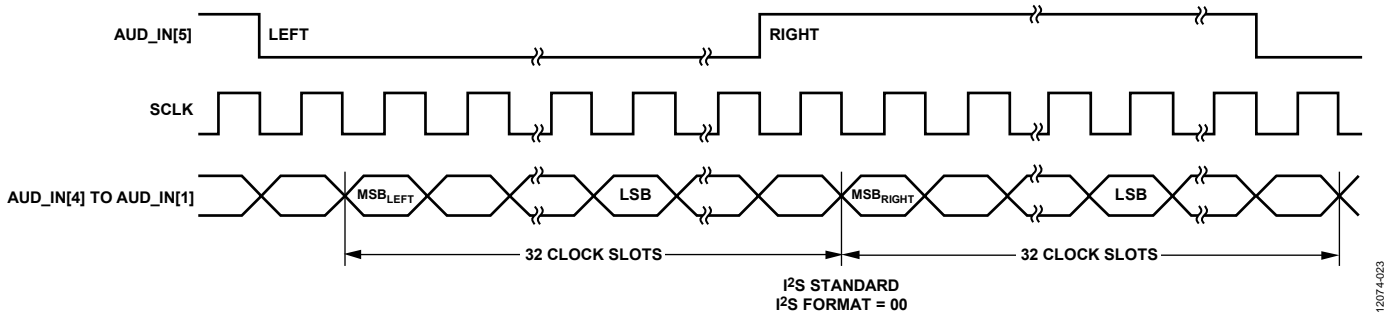


Figure 22. I²S Standard Audio—Data Width of 16 Bits to 24 Bits per Channel

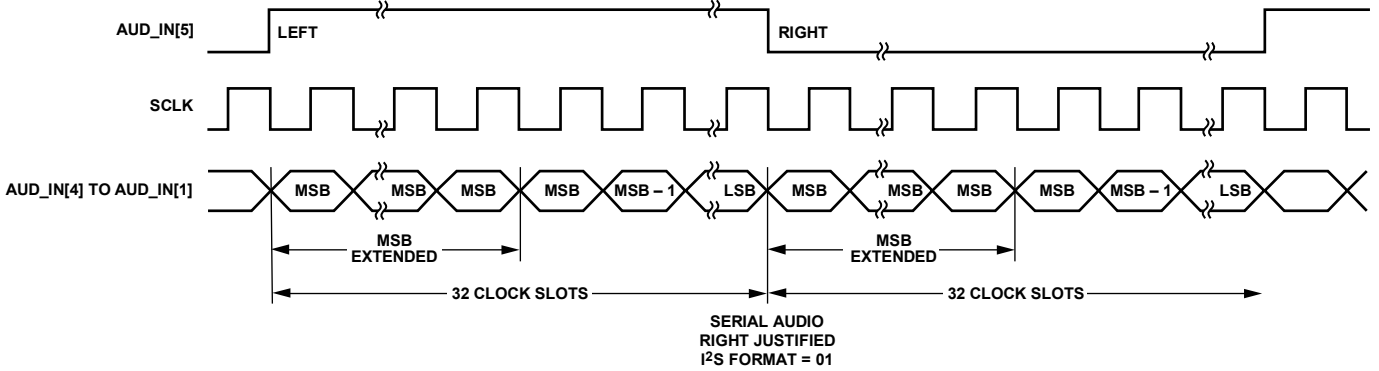


Figure 23. Serial Audio—Right Justified

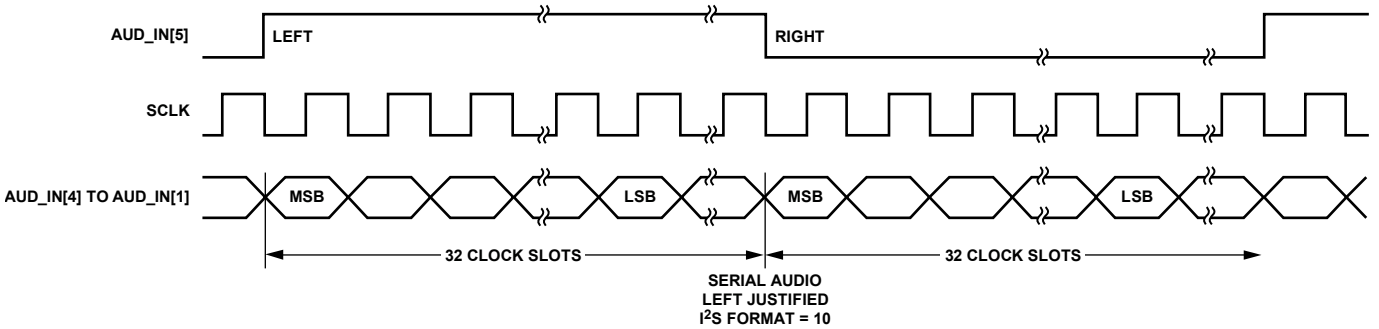


Figure 24. Serial Audio—Left Justified

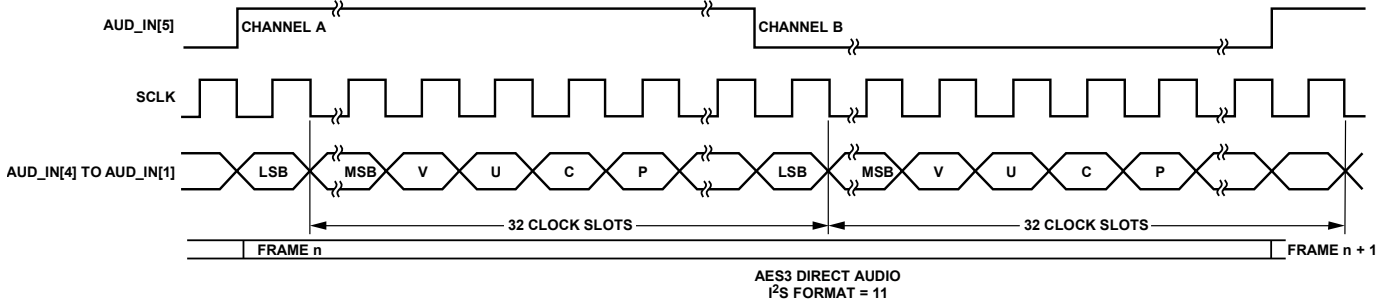


Figure 25. AES3 Direct Audio

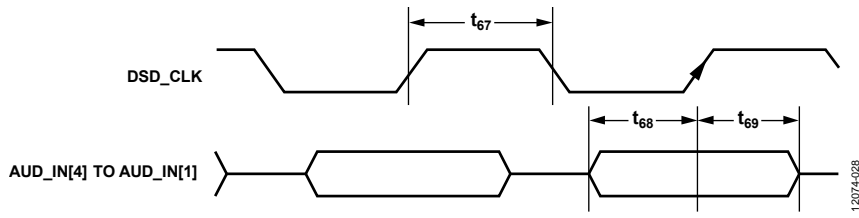


Figure 26. DSD Timing

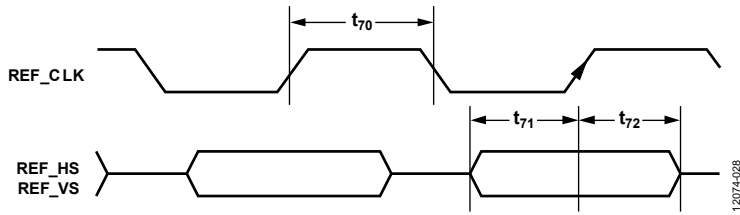


Figure 27. External Sync Timing

## ABSOLUTE MAXIMUM RATINGS

Table 4.

Parameter	Rating
AVDD1, AVDD2, DVDD_IO to GND	3.9 V
DVDD, PVDDx, CVDD1, AVDD3, AVDD4, DVDD_DDR, PVDD_DDR to GND	2.2 V
DVDD to Other 1.8 V Power Supplies <sup>1</sup>	-0.3 V to +0.3 V
PVDD1 to Other 1.8 V Power Supplies <sup>1</sup>	-0.3 V to +0.3 V
PVDD2 to Other 1.8 V Power Supplies <sup>1</sup>	-0.3 V to +0.3 V
PVDD3 to Other 1.8 V Power Supplies <sup>1</sup>	-0.3 V to +0.3 V
PVDD5 to Other 1.8 V Power Supplies <sup>1</sup>	-0.3 V to +0.3 V
PVDD6 to Other 1.8 V Power Supplies <sup>1</sup>	-0.3 V to +0.3 V
CVDD1 to Other 1.8 V Power Supplies <sup>1</sup>	-0.3 V to +0.3 V
AVDD3 to Other 1.8 V Power Supplies <sup>1</sup>	-0.3 V to +0.3 V
AVDD4 to Other 1.8 V Power Supplies <sup>1</sup>	-0.3 V to +0.3 V
DVDD_DDR to Other 1.8 V Power Supplies <sup>1</sup>	-0.3 V to +0.3 V
PVDD_DDR to Other 1.8 V Power Supplies <sup>1</sup>	-0.3 V to +0.3 V
Digital Inputs to GND	-0.3 V to DVDD_IO + 0.3 V
Serial Video Inputs to GND	-0.3 V to CVDD1 + 0.3 V
DDR_VREF to GND	-0.3 V to DVDD_DDR + 0.3 V
DDR Inputs to GND	-0.3 V to DVDD_DDR + 0.3 V
DDR Outputs to GND	-0.3 V to DVDD_DDR + 0.3 V
5 V Tolerant Digital Inputs to GND <sup>2</sup>	-0.3 V to +5.5 V
1.8 V Analog Inputs to GND	-0.3 V to AVDD3 + 0.3 V
3.3 V Analog Inputs to GND	-0.3 V to AVDD2 + 0.3 V
HDMI Digital Outputs to GND	-0.3 V to AVDD3 + 0.3 V
Digital Outputs Voltage to GND	-0.3 V to DVDD_IO + 0.3 V
Analog Outputs Voltage to GND <sup>3</sup>	-0.3 V to AVDD2 + 0.3 V
Maximum Junction Temperature (T <sub>JMAX</sub> )	125°C
Storage Temperature Range	-65°C to +150°C
Infrared Reflow Soldering (20 sec)	260°C

<sup>1</sup> This includes the 1.8 V power supplies (DVDD, PVDD1, PVDD2, PVDD3, CVDD1, AVDD3, AVDD4, DVDD\_DDR, and PVDD\_DR) and the 1.845 V supplies (PVDD5 and PVDD6).

<sup>2</sup> The following inputs are 5 V tolerant: DDC1\_SCL, DDC2\_SCL, DDC1\_SDA, DDC2\_SDA, HEAC\_1-, HEAC\_1+, HEAC\_2-, HEAC\_2+, RX\_5V, and RX\_HPD.

<sup>3</sup> Except the ELPF1 and ELPF2 outputs, which are kept to -0.3 V to PVDD3 + 0.3 V; the RTERM output, which is kept to -0.3 V to CVDD1 + 0.3 V; and the R\_TX1 and R\_TX2 outputs, which are kept to -0.3 V to PVDD5 + 0.3 V.

Stresses at or above those listed under Absolute Maximum Ratings may cause permanent damage to the product. This is a stress rating only; functional operation of the product at these or any other conditions above those indicated in the operational section of this specification is not implied. Operation beyond the maximum operating conditions for extended periods may affect product reliability.

### ESD CAUTION



**ESD (electrostatic discharge) sensitive device.** Charged devices and circuit boards can discharge without detection. Although this product features patented or proprietary protection circuitry, damage may occur on devices subjected to high energy ESD. Therefore, proper ESD precautions should be taken to avoid performance degradation or loss of functionality.

# PIN CONFIGURATIONS AND FUNCTION DESCRIPTIONS

	1	2	3	4	5	6	7	8	9	10	11	12	13	14	15	16	17	18	19	20	21	22	23				
A	OSD_IN[23]/EXT_DIN[7]	OSD_DE	OSD_CLK/EXT_CLK	AUD_IN[1]	AUD_IN[2]	AUD_IN[5]	ARC2_OUT	MOSI1	SCK2	CS2	RESET	XTALN	PVDD2	DNC	DNC	CVDD1	RX_C-	RX_0-	RX_1-	RX_2-	CVDD1	RSET1	VREF	A			
B	OSD_IN[21]/EXT_DIN[5]	OSD_IN[22]/EXT_DIN[6]	OSD_VS	AUD_IN[0]	AUD_IN[3]	SFL	ARC1_OUT	MISO1	MISO2	MISO2	ALSBS	XTALP	PVDD1	DNC	DNC	GND	RX_C+	RX_0+	RX_1+	RX_2+	GND	COMP1	DAC4	B			
C	OSD_IN[19]/EXT_DIN[3]	OSD_IN[20]/EXT_DIN[4]	GND	AUD_IN[4]	DSD_CLK	SCLK	SCL	SCK1	GND	INT0	PDN	GND	GND	DNC	REF_CLK	RX_HPD	AVDD1	GND	GND	AVDD1	AVDD1	DAC5	DAC6	C			
D	OSD_IN[16]/EXT_DIN[0]	OSD_IN[17]/EXT_DIN[1]	OSD_IN[18]/EXT_DIN[2]	GND	DVDD_IO	MCLK	SDA	CS1	GND	INT1	INT2	DVDD_IO	TEST1	REF_HS	REF_VS	RX_SV	DNC	DNC	RTERM	AVDD2	AVDD2	DAC1	DAC2	D			
E	OSD_IN[13]/VBI_SCK	OSD_IN[14]/VBI_MOS	OSD_IN[15]/VBI_CS	DVDD_IO																	TEST2	GND	COMP2	DAC3	E		
F	OSD_IN[9]	OSD_IN[10]	OSD_IN[11]	OSD_IN[12]																		RSET2	PVDD3	GND	DNC	F	
G	OSD_IN[5]	OSD_IN[6]	OSD_IN[7]	OSD_IN[8]																		ELPF1	ELPF2	GND	AVDD3	G	
H	OSD_IN[1]	OSD_IN[2]	OSD_IN[3]	OSD_IN[4]																			GND	GND	TX1_2+	TX1_2-	H
J	DE	HS	OSD_HS	OSD_IN[0]																			DDC1_SDA	GND	TX1_1+	TX1_1-	J
K	VS	PCLK	DVDD_IO	DVDD_IO																			DDC1_SCL	GND	TX1_0+	TX1_0-	K
L	P[32]	P[33]	P[34]	P[35]																			HPD_TX1	GND	TX1_C+	TX1_C-	L
M	P[28]	P[29]	P[30]	P[31]																			R_TX1	PVDD5	HEAC_1+	HEAC_1-	M
N	P[24]	P[25]	P[26]	P[27]																			DNC	PVDD5	AVDD4	AVDD3	N
P	P[20]	P[21]	P[22]	P[23]																			DDC2_SCL	GND	TX2_2+	TX2_2-	P
R	P[16]	P[17]	P[18]	P[19]																			DDC2_SDA	GND	TX2_1+	TX2_1-	R
T	P[14]	P[15]	GND	GND																			HPD_TX2	GND	TX2_0+	TX2_0-	T
U	P[10]	P[11]	P[12]	P[13]																			R_TX2	GND	TX2_C+	TX2_C-	U
V	P[6]	P[7]	P[8]	P[9]																			GND	PVDD6	HEAC_2+	HEAC_2-	V
W	P[2]	P[3]	P[4]	P[5]																			TEST3	PVDD6	AVDD4	AVDD4	W
Y	P[0]	P[1]	DDR_DQS[2]	GND	DDR_DQ[23]	DVDD_DDR	DDR_DQS[3]	GND	DDR_A[11]	DVDD_DDR	DDR_A[4]	GND	DDR_CAS	DVDD_DDR	DDR_CK	GND	DDR_DQ[9]	DVDD_DDR	DDR_DQ[14]	GND	DDR_DQ[6]	PVDD_DDR	GND	Y			
AA	DDR_DQ[18]	GND	GND	DDR_DQS[2]	DDR_DQ[26]	DVDD_DDR	DDR_DQS[3]	DDR_A[13]	DDR_A[8]	DVDD_DDR	DDR_A[2]	GND	DDR_CS	DVDD_DDR	DDR_CK	GND	DDR_DQ[11]	DVDD_DDR	DDR_DM[1]	DDR_DM[0]	GND	GND	DDR_DQ[3]	AA			
AB	DDR_DQ[21]	DDR_DQ[19]	DDR_DQ[17]	DDR_DM[2]	DDR_DQ[30]	DDR_DM[3]	DDR_DQ[31]	DDR_DQ[29]	DDR_A[12]	DDR_A[6]	DDR_A[3]	DDR_A[0]	DDR_BA[0]	DDR_RAS	DDR_CKE	DDR_DQ[12]	DDR_DQS[1]	DDR_DQ[8]	DDR_DQ[13]	DDR_DQ[0]	DDR_DQ[5]	DDR_DQS[0]	DDR_DQ[4]	AB			
AC	DDR_DQ[16]	DDR_DQ[20]	DDR_DQ[22]	DDR_DQ[25]	DDR_DQ[28]	DDR_DQ[27]	DDR_DQ[24]	DDR_A[9]	DDR_A[5]	DDR_A[7]	DDR_A[1]	DDR_A[10]	DDR_BA[1]	DDR_BA[2]	DDR_WE	DDR_VREF	DDR_DQ[10]	DDR_DQS[1]	DDR_DQ[15]	DDR_DQ[7]	DDR_DQ[2]	DDR_DQS[0]	DDR_DQ[1]	AC			

Figure 28. ADV8005KBCZ-8A and ADV8005KBCZ-8N Pin Configuration

Table 5. ADV8005KBCZ-8A and ADV8005KBCZ-8N Pin Function Descriptions

Pin No.	Mnemonic	Type	Description
A1	OSD_IN[23]/EXT_DIN[7]	OSD video input/ miscellaneous digital	External OSD Video Pixel Input Port 23 (OSD_IN[23]). Additional TTL Input for External ITU-R BT.656 Video Data (EXT_DIN[7]).
A2	OSD_DE	OSD video sync	Data Enable for the OSD Input Port.
A3	OSD_CLK/EXT_CLK	OSD video sync	Pixel Clock for the OSD Input Port (OSD_CLK). Pixel Clock for External Video Data (EXT_CLK).
A4	AUD_IN[1]	Audio input	I <sup>2</sup> S0/DSD1 Audio Input.
A5	AUD_IN[2]	Audio input	I <sup>2</sup> S1/DSD2 Audio Input.
A6	AUD_IN[5]	Audio input	Left/Right Clock/DSD5 Audio Input.
A7	ARC2_OUT	Audio output	Audio Return Channel for HDMI Tx2.
A8	MOSI1	Serial port control	Master Output Slave Input (Serial Port 1). Serial Port 1 is used for OSD control.
A9	SCK2	Serial port control	Serial Clock (Serial Port 2). Serial Port 2 is used for the external flash ROM.
A10	CS2	Serial port control	Chip Select (Serial Port 2). Serial Port 2 is used for the external flash ROM.
A11	RESET	Miscellaneous digital	Reset Pin.

Pin No.	Mnemonic	Type	Description
A12	XTALN	Miscellaneous 1.8 V Analog <sup>1</sup>	Crystal Output Pin. Leave this pin floating if a clock oscillator is used.
A13	PVDD2	Power	PLL Digital Supply Voltage (1.8 V).
A14	DNC	Not applicable	Do Not Connect. Do not connect to this pin.
A15	DNC	Not applicable	Do Not Connect. Do not connect to this pin.
A16	CVDD1	Power	Comparator Supply Voltage (1.8 V).
A17	RX_C-	Rx input	Rx Clock Complement Input.
A18	RX_0-	Rx input	Rx Channel 0 Complement Input.
A19	RX_1-	Rx input	Rx Channel 1 Complement Input.
A20	RX_2-	Rx input	Rx Channel 2 Complement Input.
A21	CVDD1	Power	Comparator Supply Voltage (1.8 V).
A22	RSET1	Miscellaneous analog <sup>1</sup>	Resistor Current Setting for DAC1, DAC2, and DAC3. Place the RSET1 resistor as close as possible to the <a href="#">ADV8005</a> .
A23	VREF	Miscellaneous analog <sup>1</sup>	Optional External Voltage Reference Input for DACs or Voltage Reference Output. Place VREF voltage components as close as possible to the <a href="#">ADV8005</a> .
B1	OSD_IN[21]/EXT_DIN[5]	OSD video input/ miscellaneous digital	External OSD Video Pixel Input Port 21 (OSD_IN[21]). Additional TTL Input for External ITU-R BT.656 Video Data (EXT_DIN[5]).
B2	OSD_IN[22]/EXT_DIN[6]	OSD video input/ miscellaneous digital	External OSD Video Pixel Input Port 22 (OSD_IN[22]). Additional TTL Input for External ITU-R BT.656 Video Data (EXT_DIN[6]).
B3	OSD_VS	OSD video sync	Vertical Sync for the OSD Input Port.
B4	AUD_IN[0]	Audio input	S/PDIF/DSD0 Audio Input.
B5	AUD_IN[3]	Audio input	I <sup>2</sup> S2/DSD3 Audio Input.
B6	SFL	SFL	Subcarrier Frequency Lock Signal.
B7	ARC1_OUT	Audio output	Audio Return Channel for HDMI Tx1.
B8	MISO1	Serial port control	Master Input Slave Output (Serial Port 1). Serial Port 1 is used for OSD control.
B9	MOSI2	Serial port control	Master Output Slave Input (Serial Port 2). Serial Port 2 is used for the external flash ROM.
B10	MISO2	Serial port control	Master Input Slave Output (Serial Port 2). Serial Port 2 is used for the external flash ROM.
B11	ALSB	I <sup>2</sup> C control	This pin sets the LSB of the I <sup>2</sup> C address. When the ALSB pin is set low, the I <sup>2</sup> C address is 0x18; when the ALSB pin is set high, the I <sup>2</sup> C address is 0x1A.
B12	XTALP	Miscellaneous 1.8 V Analog <sup>1</sup>	Input Pin for 27 MHz Crystal or an External 1.8 V, 27 MHz Clock Oscillator Source to Clock the <a href="#">ADV8005</a> .
B13	PVDD1	Power	PLL Analog Supply Voltage (1.8 V).
B14	DNC	Not applicable	Do Not Connect. Do not connect to this pin.
B15	DNC	Not applicable	Do Not Connect. Do not connect to this pin.
B16	GND	GND	Ground.
B17	RX_C+	Rx input	Rx Clock True Input.
B18	RX_0+	Rx input	Rx Channel 0 True Input.
B19	RX_1+	Rx input	Rx Channel 1 True Input.
B20	RX_2+	Rx input	Rx Channel 2 True Input.
B21	GND	GND	Ground.
B22	COMP1	Miscellaneous analog <sup>1</sup>	Compensation Pin. Connect a 2.2 nF capacitor from COMP1 to AVDD2.
B23	DAC4	Analog video output	Encoder DAC4 Output.
C1	OSD_IN[19]/EXT_DIN[3]	OSD video input/ miscellaneous digital	External OSD Video Pixel Input Port 19 (OSD_IN[19]). Additional TTL Input for External ITU-R BT.656 Video Data (EXT_DIN[3]).
C2	OSD_IN[20]/EXT_DIN[4]	OSD video input/ miscellaneous digital	External OSD Video Pixel Input Port 20 (OSD_IN[20]). Additional TTL Input for External ITU-R BT.656 Video Data (EXT_DIN[4]).
C3	GND	GND	Ground.
C4	AUD_IN[4]	Audio input	I <sup>2</sup> S3/DSD4 Audio Input.
C5	DSD_CLK	Audio input	DSD Audio Clock Input.
C6	SCLK	Audio input	I <sup>2</sup> S Bit Clock Input.
C7	SCL	I <sup>2</sup> C control	I <sup>2</sup> C Clock Input. SCL is open drain; use a 4.7 k $\Omega$ resistor to connect this pin to a 3.3 V supply.
C8	SCK1	Serial port control	Serial Clock (Serial Port 1). Serial Port 1 is used for OSD control.
C9	GND	GND	Ground.
C10	INT0	Miscellaneous digital	Interrupt Pin 0. When the status bits change, this pin is triggered.
C11	PDN	Miscellaneous digital	Power-Down. This pin controls the power state of the <a href="#">ADV8005</a> .
C12	GND	GND	Ground.
C13	GND	GND	Ground.

Pin No.	Mnemonic	Type	Description
C14	DNC	Not applicable	Do Not Connect. Do not connect to this pin.
C15	REF_CLK	Digital input	Reference Clock Input for the Master Timing Block.
C16	RX_HPDP	Rx input	Hot Plug Assert Signal Output for the Rx Input.
C17	AVDD1	Power	HDMI Rx Inputs Analog Supply (3.3 V).
C18	GND	GND	Ground.
C19	GND	GND	Ground.
C20	AVDD1	Power	HDMI Rx Inputs Analog Supply (3.3 V).
C21	AVDD1	Power	HDMI Rx Inputs Analog Supply (3.3 V).
C22	DAC5	Analog video output	Encoder DAC5 Output.
C23	DAC6	Analog video output	Encoder DAC6 Output.
D1	OSD_IN[16]/EXT_DIN[0]	OSD video input/ miscellaneous digital	External OSD Video Pixel Input Port 16 (OSD_IN[16]). Additional TTL Input for External ITU-R BT.656 Video Data (EXT_DIN[0]).
D2	OSD_IN[17]/EXT_DIN[1]	OSD video input/ miscellaneous digital	External OSD Video Pixel Input Port 17 (OSD_IN[17]). Additional TTL Input for External ITU-R BT.656 Video Data (EXT_DIN[1]).
D3	OSD_IN[18]/EXT_DIN[2]	OSD video input/ miscellaneous digital	External OSD Video Pixel Input Port 18 (OSD_IN[18]). Additional TTL Input for External ITU-R BT.656 Video Data (EXT_DIN[2]).
D4	GND	GND	Ground.
D5	DVDD_IO	Power	Digital Interface Supply (3.3 V).
D6	MCLK	Audio input	Master Clock for S/PDIF Input Audio.
D7	SDA	I <sup>2</sup> C control	I <sup>2</sup> C Data Input. SDA is open drain; use a 4.7 kΩ resistor to connect this pin to a 3.3 V supply.
D8	$\overline{CS1}$	Serial port control	Chip Select (Serial Port 1). Serial Port 1 is used for OSD control.
D9	GND	GND	Ground.
D10	INT1	Miscellaneous digital	Interrupt Pin for HDMI Transmitter Outputs. When the status bits change, an interrupt is generated on this pin.
D11	INT2	Miscellaneous digital	Interrupt Pin for HDMI Receiver Inputs. When the status bits change, an interrupt is generated on this pin.
D12	DVDD_IO	Power	Digital Interface Supply (3.3 V).
D13	TEST1	Miscellaneous digital	Test Pin. Float this pin.
D14	REF_HS	Digital input	Reference Horizontal Sync Input for the Master Timing Block.
D15	REF_VS	Digital input	Reference Vertical Sync Input for the Master Timing Block.
D16	RX_5V	Rx input	5 V Detect Pin for the Receiver Input.
D17	DNC	Not applicable	Do Not Connect. Do not connect to this pin.
D18	DNC	Not applicable	Do Not Connect. Do not connect to this pin.
D19	RTERM	HDMI Rx input	This pin sets the internal termination resistance. Use a 500 Ω resistor between this pin and GND. Place the RTERM resistor as close as possible to the <a href="#">ADV8005</a> .
D20	AVDD2	Power	Analog Power Supply (3.3 V).
D21	AVDD2	Power	Analog Power Supply (3.3 V).
D22	DAC1	Analog video output	Encoder DAC1 Output.
D23	DAC2	Analog video output	Encoder DAC2 Output.
E1	OSD_IN[13]/VBI_SCK	OSD video input/ miscellaneous digital	External OSD Video Pixel Input Port 13 (OSD_IN[13]). Serial Clock for Video Blanking Interval (VBI) Data Serial Port 3 (VBI_SCK).
E2	OSD_IN[14]/VBI_MOSI	OSD video input/ miscellaneous digital	External OSD Video Pixel Input Port 14 (OSD_IN[14]). Master Output Slave Input for VBI Data Serial Port 3 (VBI_MOSI).
E3	OSD_IN[15]/VBI_CS	OSD video input/ miscellaneous digital	External OSD Video Pixel Input Port 15 (OSD_IN[15]). Chip Select for VBI Data Serial Port 3 (VBI_CS).
E4	DVDD_IO	Power	Digital Interface Supply (3.3 V).
E20	TEST2	Miscellaneous analog	Test Pin. Float this pin.
E21	GND	GND	Ground.
E22	COMP2	Miscellaneous analog <sup>1</sup>	Compensation Pin. Connect a 2.2 nF capacitor to AVDD2.
E23	DAC3	Analog video output	Encoder DAC3 Output.
F1	OSD_IN[9]	OSD video input	External OSD Video Pixel Input Port 9.
F2	OSD_IN[10]	OSD video input	External OSD Video Pixel Input Port 10.
F3	OSD_IN[11]	OSD video input	External OSD Video Pixel Input Port 11.
F4	OSD_IN[12]	OSD video input/ miscellaneous digital	External OSD Video Pixel Input Port 12.
F20	RSET2	Miscellaneous analog <sup>1</sup>	Resistor Current Setting for DAC4, DAC5, and DAC6. Place the RSET2 resistor as close as possible to the <a href="#">ADV8005</a> .
F21	PVDD3	Power	PLL Supply (1.8 V).

Pin No.	Mnemonic	Type	Description
F22	GND	GND	Ground.
F23	DNC	Not applicable	Do Not Connect. Do not connect to this pin.
G1	OSD_IN[5]	OSD video input	External OSD Video Pixel Input Port 5.
G2	OSD_IN[6]	OSD video input	External OSD Video Pixel Input Port 6.
G3	OSD_IN[7]	OSD video input	External OSD Video Pixel Input Port 7.
G4	OSD_IN[8]	OSD video input	External OSD Video Pixel Input Port 8.
G7	GND	GND	Ground.
G8	GND	GND	Ground.
G9	GND	GND	Ground.
G10	DVDD	Power	Digital Power Supply (1.8 V).
G11	GND	GND	Ground.
G12	GND	GND	Ground.
G13	DVDD	Power	Digital Power Supply (1.8 V).
G14	GND	GND	Ground.
G15	GND	GND	Ground.
G16	GND	GND	Ground.
G17	GND	GND	Ground.
G20	ELPF1	Miscellaneous analog <sup>1</sup>	External Loop Filter for PLL 1. Connect to PVDD3.
G21	ELPF2	Miscellaneous analog <sup>1</sup>	External Loop Filter for PLL 2. Connect to PVDD3.
G22	GND	GND	Ground.
G23	AVDD3	Power	HDMI Tx1 Analog Power Supply (1.8 V).
H1	OSD_IN[1]	OSD video input	External OSD Video Pixel Input Port 1.
H2	OSD_IN[2]	OSD video input	External OSD Video Pixel Input Port 2.
H3	OSD_IN[3]	OSD video input	External OSD Video Pixel Input Port 3.
H4	OSD_IN[4]	OSD video input	External OSD Video Pixel Input Port 4.
H7	GND	GND	Ground.
H8	GND	GND	Ground.
H9	GND	GND	Ground.
H10	GND	GND	Ground.
H11	GND	GND	Ground.
H12	GND	GND	Ground.
H13	GND	GND	Ground.
H14	GND	GND	Ground.
H15	GND	GND	Ground.
H16	GND	GND	Ground.
H17	GND	GND	Ground.
H20	GND	GND	Ground.
H21	GND	GND	Ground.
H22	TX1_2+	HDMI Tx1	HDMI1 Channel 2 True Output.
H23	TX1_2-	HDMI Tx1	HDMI1 Channel 2 Complement Output.
J1	DE	Digital video sync	Data Enable for Digital Input Video.
J2	HS	Digital video sync	Horizontal Sync for Digital Input Video.
J3	OSD_HS	Digital video sync	Horizontal Sync for the OSD Input Port.
J4	OSD_IN[0]	OSD video input	External OSD Video Pixel Input Port 0.
J7	DVDD	Power	Digital Power Supply (1.8 V).
J8	GND	GND	Ground.
J9	GND	GND	Ground.
J10	GND	GND	Ground.
J11	GND	GND	Ground.
J12	GND	GND	Ground.
J13	GND	GND	Ground.
J14	GND	GND	Ground.
J15	GND	GND	Ground.
J16	GND	GND	Ground.
J17	DVDD	Power	Digital Power Supply (1.8 V).

Pin No.	Mnemonic	Type	Description
J20	DDC1_SDA	HDMI Tx1	HDCP Slave Serial Data for HDMI Tx1. This pin is open drain; use a 2 kΩ resistor to connect this pin to the HDMI transmitter 5 V supply.
J21	GND	GND	Ground.
J22	TX1_1+	HDMI Tx1	HDMI1 Channel 1 True Output.
J23	TX1_1-	HDMI Tx1	HDMI1 Channel 1 Complement Output.
K1	VS	Digital video sync	Vertical Sync for Digital Input Video.
K2	PCLK	Digital video sync	Pixel Clock for Digital Input Video.
K3	DVDD_IO	Power	Digital Interface Supply (3.3 V).
K4	DVDD_IO	Power	Digital Interface Supply (3.3 V).
K7	GND	GND	Ground.
K8	GND	GND	Ground.
K9	GND	GND	Ground.
K10	GND	GND	Ground.
K11	GND	GND	Ground.
K12	GND	GND	Ground.
K13	GND	GND	Ground.
K14	GND	GND	Ground.
K15	GND	GND	Ground.
K16	GND	GND	Ground.
K17	GND	GND	Ground.
K20	DDC1_SCL	HDMI Tx1	HDCP Slave Serial Clock for HDMI Tx1. This pin is open drain; use a 2 kΩ resistor to connect this pin to the HDMI transmitter 5 V supply.
K21	GND	GND	Ground.
K22	TX1_0+	HDMI Tx1	HDMI1 Channel 0 True Output.
K23	TX1_0-	HDMI Tx1	HDMI1 Channel 0 Complement Output.
L1	P[32]	Digital video input	Digital Video Input 32 of Bus (P[35] to P[0]).
L2	P[33]	Digital video input	Digital Video Input 33 of Bus (P[35] to P[0]).
L3	P[34]	Digital video input	Digital Video Input 34 of Bus (P[35] to P[0]).
L4	P[35]	Digital video input	Digital Video Input 35 of Bus (P[35] to P[0]).
L7	DVDD	Power	Digital Power Supply (1.8 V).
L8	GND	GND	Ground.
L9	GND	GND	Ground.
L10	GND	GND	Ground.
L11	GND	GND	Ground.
L12	GND	GND	Ground.
L13	GND	GND	Ground.
L14	GND	GND	Ground.
L15	GND	GND	Ground.
L16	GND	GND	Ground.
L17	GND	GND	Ground.
L20	HPD_TX1	HDMI Tx1	Hot Plug Assert Signal Input for HDMI Tx1.
L21	GND	GND	Ground.
L22	TX1_C+	HDMI Tx1	HDMI1 Clock True Output.
L23	TX1_C-	HDMI Tx1	HDMI1 Clock Complement Output.
M1	P[28]	Digital video input	Digital Video Input 28 of Bus (P[35] to P[0]).
M2	P[29]	Digital video input	Digital Video Input 29 of Bus (P[35] to P[0]).
M3	P[30]	Digital video input	Digital Video Input 30 of Bus (P[35] to P[0]).
M4	P[31]	Digital video input	Digital Video Input 31 of Bus (P[35] to P[0]).
M7	GND	GND	Ground.
M8	GND	GND	Ground.
M9	GND	GND	Ground.
M10	GND	GND	Ground.
M11	GND	GND	Ground.
M12	GND	GND	Ground.
M13	GND	GND	Ground.
M14	GND	GND	Ground.

Pin No.	Mnemonic	Type	Description
M15	GND	GND	Ground.
M16	GND	GND	Ground.
M17	GND	GND	Ground.
M20	R_TX1	HDMI Tx1 <sup>1</sup>	This pin sets the internal reference currents. Place a 470 Ω resistor (1% tolerance) between this pin and ground, as close as possible to the <a href="#">ADV8005</a> .
M21	PVDD5	Power <sup>1</sup>	HDMI Transmitter PLL Power Supply (1.845 V).
M22	HEAC_1+	HDMI Tx1	HDMI Ethernet and Audio Channel Positive Tx1 from the HDMI Connector.
M23	HEAC_1-	HDMI Tx1	HDMI Ethernet and Audio Channel Negative Tx1 from the HDMI Connector.
N1	P[24]	Digital video input	Digital Video Input 24 of Bus (P[35] to P[0]).
N2	P[25]	Digital video input	Digital Video Input 25 of Bus (P[35] to P[0]).
N3	P[26]	Digital video input	Digital Video Input 26 of Bus (P[35] to P[0]).
N4	P[27]	Digital video input	Digital Video Input 27 of Bus (P[35] to P[0]).
N7	GND	GND	Ground.
N8	GND	GND	Ground.
N9	GND	GND	Ground.
N10	GND	GND	Ground.
N11	GND	GND	Ground.
N12	GND	GND	Ground.
N13	GND	GND	Ground.
N14	GND	GND	Ground.
N15	GND	GND	Ground.
N16	GND	GND	Ground.
N17	GND	GND	Ground.
N20	DNC	Not applicable	Do Not Connect. Do not connect to this pin.
N21	PVDD5	Power <sup>1</sup>	HDMI Transmitter PLL Power Supply (1.845 V).
N22	AVDD4	Power	HDMI Tx2 Analog Power Supply (1.8 V).
N23	AVDD3	Power	HDMI Tx1 Analog Power Supply (1.8 V).
P1	P[20]	Digital video input	Digital Video Input 20 of Bus (P[35] to P[0]).
P2	P[21]	Digital video input	Digital Video Input 21 of Bus (P[35] to P[0]).
P3	P[22]	Digital video input	Digital Video Input 22 of Bus (P[35] to P[0]).
P4	P[23]	Digital video input	Digital Video Input 23 of Bus (P[35] to P[0]).
P7	DVDD	Power	Digital Power Supply (1.8 V).
P8	GND	GND	Ground.
P9	GND	GND	Ground.
P10	GND	GND	Ground.
P11	GND	GND	Ground.
P12	GND	GND	Ground.
P13	GND	GND	Ground.
P14	GND	GND	Ground.
P15	GND	GND	Ground.
P16	GND	GND	Ground.
P17	DVDD	Power	Digital Power Supply (1.8 V).
P20	DDC2_SCL	HDMI Tx2	HDCP Slave Serial Clock for HDMI Tx2. This pin is open drain; use a 2 kΩ resistor to connect this pin to the HDMI transmitter 5 V supply.
P21	GND	GND	Ground.
P22	TX2_2+	HDMI Tx2	HDMI2 Channel 2 True Output.
P23	TX2_2-	HDMI Tx2	HDMI2 Channel 2 Complement Output.
R1	P[16]	Digital video input	Digital Video Input 16 of Bus (P[35] to P[0]).
R2	P[17]	Digital video input	Digital Video Input 17 of Bus (P[35] to P[0]).
R3	P[18]	Digital video input	Digital Video Input 18 of Bus (P[35] to P[0]).
R4	P[19]	Digital video input	Digital Video Input 19 of Bus (P[35] to P[0]).
R7	GND	GND	Ground.
R8	GND	GND	Ground.
R9	GND	GND	Ground.
R10	GND	GND	Ground.
R11	GND	GND	Ground.

Pin No.	Mnemonic	Type	Description
R12	GND	GND	Ground.
R13	GND	GND	Ground.
R14	GND	GND	Ground.
R15	GND	GND	Ground.
R16	GND	GND	Ground.
R17	GND	GND	Ground.
R20	DDC2_SDA	HDMI Tx2	HDCP Slave Serial Data for HDMI Tx2. This pin is open drain; use a 2 k $\Omega$ resistor to connect this pin to the HDMI transmitter 5 V supply.
R21	GND	GND	Ground.
R22	TX2_1+	HDMI Tx2	HDMI2 Channel 1 True Output.
R23	TX2_1-	HDMI Tx2	HDMI2 Channel 1 Complement Output.
T1	P[14]	Digital video input	Digital Video Input 14 of Bus (P[35] to P[0]).
T2	P[15]	Digital video input	Digital Video Input 15 of Bus (P[35] to P[0]).
T3	GND	GND	Ground.
T4	GND	GND	Ground.
T7	GND	GND	Ground.
T8	GND	GND	Ground.
T9	GND	GND	Ground.
T10	GND	GND	Ground.
T11	GND	GND	Ground.
T12	GND	GND	Ground.
T13	GND	GND	Ground.
T14	GND	GND	Ground.
T15	GND	GND	Ground.
T16	GND	GND	Ground.
T17	GND	GND	Ground.
T20	HPD_TX2	HDMI Tx2	Hot Plug Assert Signal Input for HDMI Tx2.
T21	GND	GND	Ground.
T22	TX2_0+	HDMI Tx2	HDMI2 Channel 0 True Output.
T23	TX2_0-	HDMI Tx2	HDMI2 Channel 0 Complement Output.
U1	P[10]	Digital video input	Digital Video Input 10 of Bus (P[35] to P[0]).
U2	P[11]	Digital video input	Digital Video Input 11 of Bus (P[35] to P[0]).
U3	P[12]	Digital video input	Digital Video Input 12 of Bus (P[35] to P[0]).
U4	P[13]	Digital video input	Digital Video Input 13 of Bus (P[35] to P[0]).
U7	GND	GND	Ground.
U8	GND	GND	Ground.
U9	DVDD	Power	Digital Power Supply (1.8 V).
U10	GND	GND	Ground.
U11	GND	GND	Ground.
U12	DVDD	Power	Digital Power Supply (1.8 V).
U13	GND	GND	Ground.
U14	GND	GND	Ground.
U15	DVDD	Power	Digital Power Supply (1.8 V).
U16	GND	GND	Ground.
U17	GND	GND	Ground.
U20	R_TX2	HDMI Tx2 <sup>1</sup>	This pin sets the internal reference currents. Place a 470 $\Omega$ resistor (1% tolerance) between this pin and ground, as close as possible to the <a href="#">ADV8005</a> .
U21	GND	GND	Ground.
U22	TX2_C+	HDMI Tx2 <sup>1</sup>	HDMI2 Clock True Output.
U23	TX2_C-	HDMI Tx2 <sup>1</sup>	HDMI2 Clock Complement Output.
V1	P[6]	Digital video input	Digital Video Input 6 of Bus (P[35] to P[0]).
V2	P[7]	Digital video input	Digital Video Input 7 of Bus (P[35] to P[0]).
V3	P[8]	Digital video input	Digital Video Input 8 of Bus (P[35] to P[0]).
V4	P[9]	Digital video input	Digital Video Input 9 of Bus (P[35] to P[0]).
V20	GND	GND	Ground.
V21	PVDD6	Power <sup>1</sup>	HDMI Transmitter PLL Power Supply (1.845 V).

Pin No.	Mnemonic	Type	Description
V22	HEAC_2+	HDMI Tx2	HDMI Ethernet and Audio Channel Positive Tx2 from the HDMI Connector.
V23	HEAC_2-	HDMI Tx2	HDMI Ethernet and Audio Channel Negative Tx2 from the HDMI Connector.
W1	P[2]	Digital video input	Digital Video Input 2 of Bus (P[35] to P[0]).
W2	P[3]	Digital video input	Digital Video Input 3 of Bus (P[35] to P[0]).
W3	P[4]	Digital video input	Digital Video Input 4 of Bus (P[35] to P[0]).
W4	P[5]	Digital video input	Digital Video Input 5 of Bus (P[35] to P[0]).
W20	TEST3	Miscellaneous digital	Test Pin. Connect this pin to ground through a 0.1 $\mu$ F capacitor.
W21	PVDD6	Power <sup>1</sup>	HDMI Transmitter PLL Power Supply (1.845 V).
W22	AVDD4	Power	HDMI Tx2 Analog Power Supply (1.8 V).
W23	AVDD4	Power	HDMI Tx2 Analog Power Supply (1.8 V).
Y1	P[0]	Digital video input	Digital Video Input 0 of Bus (P[35] to P[0]).
Y2	P[1]	Digital video input	Digital Video Input 1 of Bus (P[35] to P[0]).
Y3	DDR_DQS[2]	DDR interface	Data Strobe for DDR Data Bytes[23:16], True.
Y4	GND	GND	Ground.
Y5	DDR_DQ[23]	DDR interface	Data Line 23. Interface to external RAM data lines.
Y6	DVDD_DDR	Power	DDR Interface Supply (1.8 V).
Y7	DDR_DQS[3]	DDR interface	Data Strobe for DDR Data Bytes[31:24], True.
Y8	GND	GND	Ground.
Y9	DDR_A[11]	DDR interface	Address Line 11. Interface to external RAM address lines.
Y10	DVDD_DDR	Power	DDR Interface Supply (1.8 V).
Y11	DDR_A[4]	DDR interface	Address Line 4. Interface to external RAM address lines.
Y12	GND	GND	Ground.
Y13	DDR_CAS	DDR interface	Column Address Strobe for DDR Memory.
Y14	DVDD_DDR	Power	DDR Interface Supply (1.8 V).
Y15	DDR_CK	DDR interface	DDR Memory Clock. Interface to external DDR RAM clock lines.
Y16	GND	GND	Ground.
Y17	DDR_DQ[9]	DDR interface	Data Line 9. Interface to external RAM data lines.
Y18	DVDD_DDR	Power	DDR Interface Supply (1.8 V).
Y19	DDR_DQ[14]	DDR interface	Data Line 14. Interface to external RAM data lines.
Y20	GND	GND	Ground.
Y21	DDR_DQ[6]	DDR interface	Data Line 6. Interface to external RAM data lines.
Y22	PVDD_DDR	Power	DDR Interface PLL Supply (1.8 V).
Y23	GND	GND	Ground.
AA1	DDR_DQ[18]	DDR interface	Data Line 18. Interface to external RAM data lines.
AA2	GND	GND	Ground.
AA3	GND	GND	Ground.
AA4	DDR_DQS[2]	DDR interface	Data Strobe for DDR Data Bytes[23:16], Complement.
AA5	DDR_DQ[26]	DDR interface	Data Line 26. Interface to external RAM data lines.
AA6	DVDD_DDR	Power	DDR Interface Supply (1.8 V).
AA7	DDR_DQS[3]	DDR interface	Data Strobe for DDR Data Bytes[31:24], Complement.
AA8	DDR_A[13]	DDR interface	Address Line 13. Interface to external RAM address lines. For designs that must maintain consistency with the <a href="#">ADV8002</a> or the <a href="#">ADV8003</a> , this pin can be grounded or left unconnected.
AA9	DDR_A[8]	DDR interface	Address Line 8. Interface to external RAM address lines.
AA10	DVDD_DDR	Power	DDR Interface Supply (1.8 V).
AA11	DDR_A[2]	DDR interface	Address Line 2. Interface to external RAM address lines.
AA12	GND	GND	Ground.
AA13	DDR_CS	DDR interface	DDR Chip Select. Interface to external DDR RAM chip selects.
AA14	DVDD_DDR	Power	DDR Interface Supply (1.8 V).
AA15	DDR_CK	DDR interface	DDR Memory Clock. Interface to external DDR RAM clock lines.
AA16	GND	GND	Ground.
AA17	DDR_DQ[11]	DDR interface	Data Line 11. Interface to external RAM data lines.
AA18	DVDD_DDR	Power	DDR Interface Supply (1.8 V).
AA19	DDR_DM[1]	DDR interface	Data Mask for Data Lines[15:8].
AA20	DDR_DM[0]	DDR interface	Data Mask for Data Lines[7:0].
AA21	GND	GND	Ground.

Pin No.	Mnemonic	Type	Description
AA22	GND	GND	Ground.
AA23	DDR_DQ[3]	DDR interface	Data Line 3. Interface to external RAM data lines.
AB1	DDR_DQ[21]	DDR interface	Data Line 21. Interface to external RAM data lines.
AB2	DDR_DQ[19]	DDR interface	Data Line 19. Interface to external RAM data lines.
AB3	DDR_DQ[17]	DDR interface	Data Line 17. Interface to external RAM data lines.
AB4	DDR_DM[2]	DDR interface	Data Mask for Data Lines[23:16].
AB5	DDR_DQ[30]	DDR interface	Data Line 30. Interface to external RAM data lines.
AB6	DDR_DM[3]	DDR interface	Data Mask for Data Lines[31: 24].
AB7	DDR_DQ[31]	DDR interface	Data Line 31. Interface to external RAM data lines.
AB8	DDR_DQ[29]	DDR interface	Data Line 29. Interface to external RAM data lines.
AB9	DDR_A[12]	DDR interface	Address Line 12. Interface to external RAM address lines.
AB10	DDR_A[6]	DDR interface	Address Line 6. Interface to external RAM address lines.
AB11	DDR_A[3]	DDR interface	Address Line 3. Interface to external RAM address lines.
AB12	DDR_A[0]	DDR interface	Address Line 0. Interface to external RAM address lines.
AB13	DDR_BA[0]	DDR interface	Bank Address Line 0. Indicates which data bank to write to/read from.
AB14	DDR_RAS	DDR interface	Row Address Strobe for DDR Memory.
AB15	DDR_CKE	DDR interface	Clock Enable for External DDR Memory.
AB16	DDR_DQ[12]	DDR interface	Data Line 12. Interface to external RAM data lines.
AB17	DDR_DQS[1]	DDR interface	Data Strobe for DDR Data Bytes[15:8], True.
AB18	DDR_DQ[8]	DDR interface	Data Line 8. Interface to external RAM data lines.
AB19	DDR_DQ[13]	DDR interface	Data Line 13. Interface to external RAM data lines.
AB20	DDR_DQ[0]	DDR interface	Data Line 0. Interface to external RAM data lines.
AB21	DDR_DQ[5]	DDR interface	Data Line 5. Interface to external RAM data lines.
AB22	DDR_DQS[0]	DDR interface	Data Strobe for DDR Data Bytes[7:0], True.
AB23	DDR_DQ[4]	DDR interface	Data Line 4. Interface to external RAM data lines.
AC1	DDR_DQ[16]	DDR interface	Data Line 16. Interface to external RAM data lines.
AC2	DDR_DQ[20]	DDR interface	Data Line 20. Interface to external RAM data lines.
AC3	DDR_DQ[22]	DDR interface	Data Line 22. Interface to external RAM data lines.
AC4	DDR_DQ[25]	DDR interface	Data Line 25. Interface to external RAM data lines.
AC5	DDR_DQ[28]	DDR interface	Data Line 28. Interface to external RAM data lines.
AC6	DDR_DQ[27]	DDR interface	Data Line 27. Interface to external RAM data lines.
AC7	DDR_DQ[24]	DDR interface	Data Line 24. Interface to external RAM data lines.
AC8	DDR_A[9]	DDR interface	Address Line 9. Interface to external RAM address lines.
AC9	DDR_A[5]	DDR interface	Address Line 5. Interface to external RAM address lines.
AC10	DDR_A[7]	DDR interface	Address Line 7. Interface to external RAM address lines.
AC11	DDR_A[1]	DDR interface	Address Line 1. Interface to external RAM address lines.
AC12	DDR_A[10]	DDR interface	Address Line 10. Interface to external RAM address lines.
AC13	DDR_BA[1]	DDR interface	Bank Address Line 1. Indicates which data bank to write to/read from.
AC14	DDR_BA[2]	DDR interface	Bank Address Line 2. Indicates which data bank to write to/read from.
AC15	DDR_WE	DDR interface	Write Enable Signal for DDR RAM.
AC16	DDR_VREF	DDR interface <sup>1</sup>	Reference Voltage for DDR RAM.
AC17	DDR_DQ[10]	DDR interface	Data Line 10. Interface to external RAM data lines.
AC18	DDR_DQS[1]	DDR interface	Data Strobe for DDR Data Bytes[15:8], Complement.
AC19	DDR_DQ[15]	DDR interface	Data Line 15. Interface to external RAM data lines.
AC20	DDR_DQ[7]	DDR interface	Data Line 7. Interface to external RAM data lines.
AC21	DDR_DQ[2]	DDR interface	Data Line 2. Interface to external RAM data lines.
AC22	DDR_DQS[0]	DDR interface	Data Strobe for DDR Data Bytes[7:0], Complement.
AC23	DDR_DQ[1]	DDR interface	Data Line 1. Interface to external RAM data lines.

<sup>1</sup> Sensitive node. Careful layout is important. Keep the associated circuitry as close as possible to the [ADV8005](#).

	1	2	3	4	5	6	7	8	9	10	11	12	13	14	15	16	17	18	19	20	21	22	23				
A	OSD_IN[23]/EXT_DIN[7]	OSD_DE	OSD_CLK/EXT_CLK	AUD_IN[1]	AUD_IN[2]	AUD_IN[5]	TEST4	MOSI1	SCK2	CS2	RESET	XTALN	PVDD2	DNC	DNC	CVDD1	RX_C-	RX_0-	RX_1-	RX_2-	CVDD1	DNC	DNC	A			
B	OSD_IN[21]/EXT_DIN[5]	OSD_IN[22]/EXT_DIN[6]	OSD_VS	AUD_IN[0]	AUD_IN[3]	SFL	ARC1_OUT	MISO1	MISO2	MISO2	ALSB	XTALP	PVDD1	DNC	DNC	GND	RX_C+	RX_0+	RX_1+	RX_2+	GND	DNC	DNC	B			
C	OSD_IN[19]/EXT_DIN[3]	OSD_IN[20]/EXT_DIN[4]	GND	AUD_IN[4]	DSD_CLK	SCLK	SCL	SCK1	GND	INT0	PDN	GND	GND	DNC	REF_CLK	RX_HPD	AVDD1	GND	GND	AVDD1	AVDD1	DNC	DNC	C			
D	OSD_IN[18]/EXT_DIN[0]	OSD_IN[17]/EXT_DIN[1]	OSD_IN[18]/EXT_DIN[2]	GND	DVDD_IO	MCLK	SDA	CS1	GND	INT1	INT2	DVDD_IO	TEST1	REF_HS	REF_VS	RX_SV	DNC	DNC	RTERM	AVDD2	AVDD2	DNC	DNC	D			
E	OSD_IN[13]/VBI_SCK	OSD_IN[14]/VBI_MOSI	OSD_IN[15]/VBI_CS	DVDD_IO																TEST2	GND	DNC	DNC	E			
F	OSD_IN[9]	OSD_IN[10]	OSD_IN[11]	OSD_IN[12]																DNC	PVDD3	GND	DNC	F			
G	OSD_IN[5]	OSD_IN[6]	OSD_IN[7]	OSD_IN[8]	GND	GND	GND	DVDD	GND	GND	DVDD	GND	GND	GND	GND	GND	GND	GND	GND	GND	ELPF1	ELPF2	GND	AVDD3	G		
H	OSD_IN[1]	OSD_IN[2]	OSD_IN[3]	OSD_IN[4]	GND	GND	GND	GND	GND	GND	GND	GND	GND	GND	GND	GND	GND	GND	GND	GND	GND	GND	TX1_2+	TX1_2-	H		
J	DE	HS	OSD_HS	OSD_IN[0]	DVDD	GND	GND	GND	GND	GND	GND	GND	GND	GND	GND	GND	DVDD					DDC1_SDA	GND	TX1_1+	TX1_1-	J	
K	VS	PCLK	DVDD_IO	DVDD_IO	GND	GND	GND	GND	GND	GND	GND	GND	GND	GND	GND	GND	GND	GND	GND	GND	DDC1_SCL	GND	TX1_0+	TX1_0-	K		
L	P[32]	P[33]	P[34]	P[35]	DVDD	GND	GND	GND	GND	GND	GND	GND	GND	GND	GND	GND	GND	GND	GND	GND	HPD_TX1	GND	TX1_C+	TX1_C-	L		
M	P[28]	P[29]	P[30]	P[31]	GND	GND	GND	GND	GND	GND	GND	GND	GND	GND	GND	GND	GND	GND	GND	GND	R_TX1	PVDD5	HEAC_1+	HEAC_1-	M		
N	P[24]	P[25]	P[26]	P[27]	GND	GND	GND	GND	GND	GND	GND	GND	GND	GND	GND	GND	GND	GND	GND	GND	DNC	PVDD5	AVDD4	AVDD3	N		
P	P[20]	P[21]	P[22]	P[23]	DVDD	GND	GND	GND	GND	GND	GND	GND	GND	GND	GND	GND	DVDD					DNC	GND	DNC	DNC	P	
R	P[16]	P[17]	P[18]	P[19]	GND	GND	GND	GND	GND	GND	GND	GND	GND	GND	GND	GND	GND	GND	GND	GND	DNC	GND	DNC	DNC	R		
T	P[14]	P[15]	GND	GND	GND	GND	GND	GND	GND	GND	GND	GND	GND	GND	GND	GND	GND	GND	GND	GND	DNC	GND	DNC	DNC	T		
U	P[10]	P[11]	P[12]	P[13]	GND	GND	DVDD	GND	GND	DVDD	GND	GND	DVDD	GND	GND	GND	GND					DNC	GND	DNC	DNC	U	
V	P[6]	P[7]	P[8]	P[9]	GND	GND	PVDD6	DNC	DNC														GND	PVDD6	DNC	DNC	V
W	P[2]	P[3]	P[4]	P[5]																TEST3	PVDD6	AVDD4	AVDD4	W			
Y	P[0]	P[1]	DDR_DQS[2]	GND	DDR_DQ[23]	DVDD_DDR	DDR_DQS[3]	GND	DDR_A[11]	DVDD_DDR	DDR_A[4]	GND	DDR_CAS	DVDD_DDR	DDR_CK	GND	DDR_DQ[9]	DVDD_DDR	DDR_DQ[14]	GND	DDR_DQ[6]	PVDD_DDR	GND	Y			
AA	DDR_DQ[18]	GND	GND	DDR_DQS[2]	DDR_DQ[26]	DVDD_DDR	DDR_DQS[3]	DDR_A[13]	DDR_A[8]	DVDD_DDR	DDR_A[2]	GND	DDR_CS	DVDD_DDR	DDR_CK	GND	DDR_DQ[11]	DVDD_DDR	DDR_DM[1]	DDR_DM[0]	GND	GND	DDR_DQ[3]	AA			
AB	DDR_DQ[21]	DDR_DQ[19]	DDR_DQ[17]	DDR_DM[2]	DDR_DQ[30]	DDR_DM[3]	DDR_DQ[31]	DDR_DQ[29]	DDR_A[12]	DDR_A[6]	DDR_A[3]	DDR_A[0]	DDR_BA[0]	DDR_RAS	DDR_CKE	DDR_DQ[12]	DDR_DQS[1]	DDR_DQ[8]	DDR_DQ[13]	DDR_DQ[0]	DDR_DQ[5]	DDR_DQS[0]	DDR_DQ[4]	AB			
AC	DDR_DQ[16]	DDR_DQ[20]	DDR_DQ[22]	DDR_DQ[25]	DDR_DQ[28]	DDR_DQ[27]	DDR_DQ[24]	DDR_A[9]	DDR_A[5]	DDR_A[7]	DDR_A[1]	DDR_A[10]	DDR_BA[1]	DDR_BA[2]	DDR_WE	DDR_VREF	DDR_DQ[10]	DDR_DQS[1]	DDR_DQ[15]	DDR_DQ[7]	DDR_DQ[2]	DDR_DQS[0]	DDR_DQ[1]	AC			

Figure 29. ADV8005KBCZ-8B Pin Configuration

Table 6. ADV8005KBCZ-8B Pin Function Descriptions

Pin No.	Mnemonic	Type	Description
A1	OSD_IN[23]/EXT_DIN[7]	OSD video input/ miscellaneous digital	External OSD Video Pixel Input Port 23 (OSD_IN[23]). Additional TTL Input for External ITU-R BT.656 Video Data (EXT_DIN[7]).
A2	OSD_DE	OSD video sync	Data Enable for the OSD Input Port.
A3	OSD_CLK/EXT_CLK	OSD video sync	Pixel Clock for the OSD Input Port (OSD_CLK). Pixel Clock for External Video Data (EXT_CLK).
A4	AUD_IN[1]	Audio input	I <sup>2</sup> S0/DSD1 Audio Input.
A5	AUD_IN[2]	Audio input	I <sup>2</sup> S1/DSD2 Audio Input.
A6	AUD_IN[5]	Audio input	Left/Right Clock/DSD5 Audio Input.
A7	TEST4	Miscellaneous digital	Test Pin. Connect this pin to ground through a 4.7 kΩ resistor.
A8	MOSI1	Serial port control	Master Output Slave Input (Serial Port 1). Serial Port 1 is used for OSD control.
A9	SCK2	Serial port control	Serial Clock (Serial Port 2). Serial Port 2 is used for the external flash ROM.
A10	CS2	Serial port control	Chip Select (Serial Port 2). Serial Port 2 is used for the external flash ROM.
A11	RESET	Miscellaneous digital	Reset Pin.
A12	XTALN	Miscellaneous 1.8 V Analog <sup>1</sup>	Crystal Output Pin. Leave this pin floating if a clock oscillator is used.
A13	PVDD2	Power	PLL Digital Supply Voltage (1.8 V).

Pin No.	Mnemonic	Type	Description
A14	DNC	Not applicable	Do Not Connect. Do not connect to this pin.
A15	DNC	Not applicable	Do Not Connect. Do not connect to this pin.
A16	CVDD1	Power	Comparator Supply Voltage (1.8 V).
A17	RX_C-	Rx input	Rx Clock Complement Input.
A18	RX_0-	Rx input	Rx Channel 0 Complement Input.
A19	RX_1-	Rx input	Rx Channel 1 Complement Input.
A20	RX_2-	Rx input	Rx Channel 2 Complement Input.
A21	CVDD1	Power	Comparator Supply Voltage (1.8 V).
A22	DNC	Not applicable	Do Not Connect. Do not connect to this pin.
A23	DNC	Not applicable	Do Not Connect. Do not connect to this pin.
B1	OSD_IN[21]/EXT_DIN[5]	OSD video input/ miscellaneous digital	External OSD Video Pixel Input Port 21 (OSD_IN[21]). Additional TTL Input for External ITU-R BT.656 Video Data (EXT_DIN[5]).
B2	OSD_IN[22]/EXT_DIN[6]	OSD video input/ miscellaneous digital	External OSD Video Pixel Input Port 22 (OSD_IN[22]). Additional TTL Input for External ITU-R BT.656 Video Data (EXT_DIN[6]).
B3	OSD_VS	OSD video sync	Vertical Sync for the OSD Input Port.
B4	AUD_IN[0]	Audio input	S/PDIF/DSD0 Audio Input.
B5	AUD_IN[3]	Audio input	I <sup>2</sup> S2/DSD3 Audio Input.
B6	SFL	SFL	Subcarrier Frequency Lock Signal.
B7	ARC1_OUT	Audio output	Audio Return Channel for HDMI Tx1.
B8	MISO1	Serial port control	Master Input Slave Output (Serial Port 1). Serial Port 1 is used for OSD control.
B9	MOSI2	Serial port control	Master Output Slave Input (Serial Port 2). Serial Port 2 is used for the external flash ROM.
B10	MISO2	Serial port control	Master Input Slave Output (Serial Port 2). Serial Port 2 is used for the external flash ROM.
B11	ALSB	I <sup>2</sup> C control	This pin sets the LSB of the I <sup>2</sup> C address. When the ALSB pin is set low, the I <sup>2</sup> C address is 0x18; when the ALSB pin is set high, the I <sup>2</sup> C address is 0x1A.
B12	XTALP	Miscellaneous 1.8 V Analog <sup>1</sup>	Input Pin for 27 MHz Crystal or an External 1.8 V, 27 MHz Clock Oscillator Source to Clock the <a href="#">ADV8005</a> .
B13	PVDD1	Power	PLL Analog Supply Voltage (1.8 V).
B14	DNC	Not applicable	Do Not Connect. Do not connect to this pin.
B15	DNC	Not applicable	Do Not Connect. Do not connect to this pin.
B16	GND	GND	Ground.
B17	RX_C+	Rx input	Rx Clock True Input.
B18	RX_0+	Rx input	Rx Channel 0 True Input.
B19	RX_1+	Rx input	Rx Channel 1 True Input.
B20	RX_2+	Rx input	Rx Channel 2 True Input.
B21	GND	GND	Ground.
B22	DNC	Not applicable	Do Not Connect. Do not connect to this pin.
B23	DNC	Not applicable	Do Not Connect. Do not connect to this pin.
C1	OSD_IN[19]/EXT_DIN[3]	OSD video input/ miscellaneous digital	External OSD Video Pixel Input Port 19 (OSD_IN[19]). Additional TTL Input for External ITU-R BT.656 Video Data (EXT_DIN[3]).
C2	OSD_IN[20]/EXT_DIN[4]	OSD video input/ miscellaneous digital	External OSD Video Pixel Input Port 20 (OSD_IN[20]). Additional TTL Input for External ITU-R BT.656 Video Data (EXT_DIN[4]).
C3	GND	GND	Ground.
C4	AUD_IN[4]	Audio input	I <sup>2</sup> S3/DSD4 Audio Input.
C5	DSD_CLK	Audio input	DSD Audio Clock Input.
C6	SCLK	Audio input	I <sup>2</sup> S Bit Clock Input.
C7	SCL	I <sup>2</sup> C control	I <sup>2</sup> C Clock Input. This pin is open drain; use a 4.7 k $\Omega$ resistor to connect this pin to a 3.3 V supply.
C8	SCK1	Serial port control	Serial Clock (Serial Port 1). Serial Port 1 is used for OSD control.
C9	GND	GND	Ground.
C10	INT0	Miscellaneous digital	Interrupt Pin 0. When status bits change, this pin is triggered.
C11	PDN	Miscellaneous digital	Power-Down. This pin controls the power state of the <a href="#">ADV8005</a> .
C12	GND	GND	Ground.
C13	GND	GND	Ground.
C14	DNC	Not applicable	Do Not Connect. Do not connect to this pin.
C15	REF_CLK	Digital input	Reference Clock Input for the Master Timing Block.
C16	RX_HPD	Rx input	Hot Plug Assert Signal Output for the Rx Input.
C17	AVDD1	Power	HDMI Rx Inputs Analog Supply (3.3 V).

Pin No.	Mnemonic	Type	Description
C18	GND	GND	Ground.
C19	GND	GND	Ground.
C20	AVDD1	Power	HDMI Rx Inputs, Analog Supply (3.3 V).
C21	AVDD1	Power	HDMI Rx Inputs, Analog Supply (3.3 V).
C22	DNC	Not applicable	Do Not Connect. Do not connect to this pin.
C23	DNC	Not applicable	Do Not Connect. Do not connect to this pin.
D1	OSD_IN[16]/EXT_DIN[0]	OSD video input/ miscellaneous digital	External OSD Video Pixel Input Port 16 (OSD_IN[16]). Additional TTL Input for External ITU-R BT.656 Video Data (EXT_DIN[0]).
D2	OSD_IN[17]/EXT_DIN[1]	OSD video input/ miscellaneous digital	External OSD Video Pixel Input Port 17 (OSD_IN[17]). Additional TTL Input for External ITU-R BT.656 Video Data (EXT_DIN[1]).
D3	OSD_IN[18]/EXT_DIN[2]	OSD video input/ miscellaneous digital	External OSD Video Pixel Input Port 18 (OSD_IN[18]). Additional TTL Input for External ITU-R BT.656 Video Data (EXT_DIN[2]).
D4	GND	GND	Ground.
D5	DVDD_IO	Power	Digital Interface Supply (3.3 V).
D6	MCLK	Audio input	MCLK for S/PDIF Input Audio.
D7	SDA	I <sup>2</sup> C control	I <sup>2</sup> C Data Input. SDA is open drain; use a 4.7 k $\Omega$ resistor to connect this pin to a 3.3 V supply.
D8	$\overline{CS1}$	Serial port control	Chip Select (Serial Port 1). Serial Port 1 is used for OSD control.
D9	GND	GND	Ground.
D10	INT1	Miscellaneous digital	Interrupt Pin for HDMI Transmitter Outputs. When the status bits change, an interrupt is generated on this pin.
D11	INT2	Miscellaneous digital	Interrupt Pin for HDMI Receiver Inputs. When the status bits change, an interrupt is generated on this pin.
D12	DVDD_IO	Power	Digital Interface Supply (3.3 V).
D13	TEST1	Miscellaneous digital	Test Pin. Float this pin.
D14	REF_HS	Digital input	Reference Horizontal Sync Input for the Master Timing Block.
D15	REF_VS	Digital input	Reference Vertical Sync Input for the Master Timing Block.
D16	RX_5V	Rx input	5 V Detect Pin for the Rx Input.
D17	DNC	Not applicable	Do Not Connect. Do not connect to this pin.
D18	DNC	Not applicable	Do Not Connect. Do not connect to this pin.
D19	RTERM	HDMI Rx input	This pin sets the internal termination resistance. Use a 500 $\Omega$ resistor between this pin and GND. Place the RTERM resistor as close as possible to the <a href="#">ADV8005</a> .
D20	AVDD2	Power	Analog Power Supply (3.3 V).
D21	AVDD2	Power	Analog Power Supply (3.3 V).
D22	DNC	Not applicable	Do Not Connect. Do not connect to this pin.
D23	DNC	Not applicable	Do Not Connect. Do not connect to this pin.
E1	OSD_IN[13]/VBI_SCK	OSD video input/ miscellaneous digital	External OSD Video Pixel Input Port 13 (OSD_IN[13]). Serial Clock for Video Blanking Interval (VBI) Data Serial Port 3 (VBI_SCK).
E2	OSD_IN[14]/VBI_MOSI	OSD video input/ miscellaneous digital	External OSD Video Pixel Input Port 14 (OSD_IN[14]). Master Output Slave Input for VBI Data Serial Port 3 (VBI_MOSI).
E3	OSD_IN[15]/VBI_ $\overline{CS}$	OSD video input/ miscellaneous digital	External OSD Video Pixel Input Port 15 (OSD_IN[15]). Chip Select for VBI Data Serial Port 3 (VBI_ $\overline{CS}$ ).
E4	DVDD_IO	Power	Digital Interface Supply (3.3 V).
E20	TEST2	Miscellaneous analog	Test Pin. Float this pin.
E21	GND	GND	Ground.
E22	DNC	Not applicable	Do Not Connect. Do not connect to this pin.
E23	DNC	Not applicable	Do Not Connect. Do not connect to this pin.
F1	OSD_IN[9]	OSD video input	External OSD Video Pixel Input Port 9.
F2	OSD_IN[10]	OSD video input	External OSD Video Pixel Input Port 10.
F3	OSD_IN[11]	OSD video input	External OSD Video Pixel Input Port 11.
F4	OSD_IN[12]	OSD video input/ miscellaneous digital	External OSD Video Pixel Input Port 12.
F20	DNC	Not applicable	Do Not Connect. Do not connect to this pin.
F21	PVDD3	Power	PLL Supply (1.8 V).
F22	GND	GND	Ground.
F23	DNC	Not applicable	Do Not Connect. Do not connect to this pin.
G1	OSD_IN[5]	OSD video input	External OSD Video Pixel Input Port 5.
G2	OSD_IN[6]	OSD video input	External OSD Video Pixel Input Port 6.

Pin No.	Mnemonic	Type	Description
G3	OSD_IN[7]	OSD video input	External OSD Video Pixel Input Port 7.
G4	OSD_IN[8]	OSD video input	External OSD Video Pixel Input Port 8.
G7	GND	GND	Ground.
G8	GND	GND	Ground.
G9	GND	GND	Ground.
G10	DVDD	Power	Digital Power Supply (1.8 V).
G11	GND	GND	Ground.
G12	GND	GND	Ground.
G13	DVDD	Power	Digital Power Supply (1.8 V).
G14	GND	GND	Ground.
G15	GND	GND	Ground.
G16	GND	GND	Ground.
G17	GND	GND	Ground.
G20	ELPF1	Miscellaneous analog <sup>1</sup>	External Loop Filter for PLL 1. Connect to PVDD3.
G21	ELPF2	Miscellaneous analog <sup>1</sup>	External Loop Filter for PLL 2. Connect to PVDD3.
G22	GND	GND	Ground.
G23	AVDD3	Power	HDMI Tx1 Analog Power Supply (1.8 V).
H1	OSD_IN[1]	OSD video input	External OSD Video Pixel Input Port 1.
H2	OSD_IN[2]	OSD video input	External OSD Video Pixel Input Port 2.
H3	OSD_IN[3]	OSD video input	External OSD Video Pixel Input Port 3.
H4	OSD_IN[4]	OSD video input	External OSD Video Pixel Input Port 4.
H7	GND	GND	Ground.
H8	GND	GND	Ground.
H9	GND	GND	Ground.
H10	GND	GND	Ground.
H11	GND	GND	Ground.
H12	GND	GND	Ground.
H13	GND	GND	Ground.
H14	GND	GND	Ground.
H15	GND	GND	Ground.
H16	GND	GND	Ground.
H17	GND	GND	Ground.
H20	GND	GND	Ground.
H21	GND	GND	Ground.
H22	TX1_2+	HDMI Tx1	HDMI1 Channel 2 True Output.
H23	TX1_2-	HDMI Tx1	HDMI1 Channel 2 Complement Output.
J1	DE	Digital video sync	Data Enable for Digital Input Video.
J2	HS	Digital video sync	Horizontal Sync for Digital Input Video.
J3	OSD_HS	Digital video sync	Horizontal Sync for the OSD Input Port.
J4	OSD_IN[0]	OSD video input	External OSD Video Pixel Input Port 0.
J7	DVDD	Power	Digital Power Supply (1.8 V).
J8	GND	GND	Ground.
J9	GND	GND	Ground.
J10	GND	GND	Ground.
J11	GND	GND	Ground.
J12	GND	GND	Ground.
J13	GND	GND	Ground.
J14	GND	GND	Ground.
J15	GND	GND	Ground.
J16	GND	GND	Ground.
J17	DVDD	Power	Digital Power Supply (1.8 V).
J20	DDC1_SDA	HDMI Tx1	HDCP Slave Serial Data for HDMI Tx1. This pin is open drain; use a 2 k $\Omega$ resistor to connect this pin to the HDMI transmitter 5 V supply.
J21	GND	GND	Ground.

Pin No.	Mnemonic	Type	Description
J22	TX1_1+	HDMI Tx1	HDMI1 Channel 1 True Output.
J23	TX1_1-	HDMI Tx1	HDMI1 Channel 1 Complement Output.
K1	VS	Digital video sync	Vertical Sync for Digital Input Video.
K2	PCLK	Digital video sync	Pixel Clock for Digital Input Video.
K3	DVDD_IO	Power	Digital Interface Supply (3.3 V).
K4	DVDD_IO	Power	Digital Interface Supply (3.3 V).
K7	GND	GND	Ground.
K8	GND	GND	Ground.
K9	GND	GND	Ground.
K10	GND	GND	Ground.
K11	GND	GND	Ground.
K12	GND	GND	Ground.
K13	GND	GND	Ground.
K14	GND	GND	Ground.
K15	GND	GND	Ground.
K16	GND	GND	Ground.
K17	GND	GND	Ground.
K20	DDC1_SCL	HDMI Tx1	HDCP Slave Serial Clock for HDMI Tx1. This pin is open drain; use a 2 k $\Omega$ resistor to connect this pin to the HDMI transmitter 5 V supply.
K21	GND	GND	Ground.
K22	TX1_0+	HDMI Tx1	HDMI1 Channel 0 True Output.
K23	TX1_0-	HDMI Tx1	HDMI1 Channel 0 Complement Output.
L1	P[32]	Digital video input	Digital Video Input 32 of Bus (P[35] to P[0]).
L2	P[33]	Digital video input	Digital Video Input 33 of Bus (P[35] to P[0]).
L3	P[34]	Digital video input	Digital Video Input 34 of Bus (P[35] to P[0]).
L4	P[35]	Digital video input	Digital Video Input 35 of Bus (P[35] to P[0]).
L7	DVDD	Power	Digital Power Supply (1.8 V).
L8	GND	GND	Ground.
L9	GND	GND	Ground.
L10	GND	GND	Ground.
L11	GND	GND	Ground.
L12	GND	GND	Ground.
L13	GND	GND	Ground.
L14	GND	GND	Ground.
L15	GND	GND	Ground.
L16	GND	GND	Ground.
L17	GND	GND	Ground.
L20	HPD_TX1	HDMI Tx1	Hot Plug Assert Signal Input for HDMI Tx1.
L21	GND	GND	Ground.
L22	TX1_C+	HDMI Tx1	HDMI1 Clock True Output.
L23	TX1_C-	HDMI Tx1	HDMI1 Clock Complement Output.
M1	P[28]	Digital video input	Digital Video Input 28 of Bus (P[35] to P[0]).
M2	P[29]	Digital video input	Digital Video Input 29 of Bus (P[35] to P[0]).
M3	P[30]	Digital video input	Digital Video Input 30 of Bus (P[35] to P[0]).
M4	P[31]	Digital video input	Digital Video Input 31 of Bus (P[35] to P[0]).
M7	GND	GND	Ground.
M8	GND	GND	Ground.
M9	GND	GND	Ground.
M10	GND	GND	Ground.
M11	GND	GND	Ground.
M12	GND	GND	Ground.
M13	GND	GND	Ground.
M14	GND	GND	Ground.
M15	GND	GND	Ground.
M16	GND	GND	Ground.
M17	GND	GND	Ground.

Pin No.	Mnemonic	Type	Description
M20	R_TX1	HDMI Tx1 <sup>1</sup>	This pin sets the internal reference currents. Place a 470 Ω resistor (1% tolerance) between this pin and ground, as close as possible to the <a href="#">ADV8005</a> .
M21	PVDD5	Power <sup>1</sup>	HDMI Transmitter PLL Power Supply (1.845 V).
M22	HEAC_1+	HDMI Tx1	HDMI Ethernet and Audio Channel Positive Tx1 from the HDMI Connector.
M23	HEAC_1-	HDMI Tx1	HDMI Ethernet and Audio Channel Negative Tx1 from the HDMI Connector.
N1	P[24]	Digital video input	Digital Video Input 24 of Bus (P[35] to P[0]).
N2	P[25]	Digital video input	Digital Video Input 25 of Bus (P[35] to P[0]).
N3	P[26]	Digital video input	Digital Video Input 26 of Bus (P[35] to P[0]).
N4	P[27]	Digital video input	Digital Video Input 27 of Bus (P[35] to P[0]).
N7	GND	GND	Ground.
N8	GND	GND	Ground.
N9	GND	GND	Ground.
N10	GND	GND	Ground.
N11	GND	GND	Ground.
N12	GND	GND	Ground.
N13	GND	GND	Ground.
N14	GND	GND	Ground.
N15	GND	GND	Ground.
N16	GND	GND	Ground.
N17	GND	GND	Ground.
N20	DNC	Not applicable	Do Not Connect. Do not connect to this pin.
N21	PVDD5	Power <sup>1</sup>	HDMI Transmitter PLL Power Supply (1.845 V).
N22	AVDD4	Power	HDMI Tx2 Analog Power Supply (1.8 V).
N23	AVDD3	Power	HDMI Tx1 Analog Power Supply (1.8 V).
P1	P[20]	Digital video input	Digital Video Input 20 of Bus (P[35] to P[0]).
P2	P[21]	Digital video input	Digital Video Input 21 of Bus (P[35] to P[0]).
P3	P[22]	Digital video input	Digital Video Input 22 of Bus (P[35] to P[0]).
P4	P[23]	Digital video input	Digital Video Input 23 of Bus (P[35] to P[0]).
P7	DVDD	Power	Digital Power Supply (1.8 V).
P8	GND	GND	Ground.
P9	GND	GND	Ground.
P10	GND	GND	Ground.
P11	GND	GND	Ground.
P12	GND	GND	Ground.
P13	GND	GND	Ground.
P14	GND	GND	Ground.
P15	GND	GND	Ground.
P16	GND	GND	Ground.
P17	DVDD	Power	Digital Power Supply (1.8 V).
P20	DNC	Not applicable	Do Not Connect. Do not connect to this pin.
P21	GND	GND	Ground.
P22	DNC	Not applicable	Do Not Connect. Do not connect to this pin.
P23	DNC	Not applicable	Do Not Connect. Do not connect to this pin.
R1	P[16]	Digital video input	Digital Video Input 16 of Bus (P[35] to P[0]).
R2	P[17]	Digital video input	Digital Video Input 17 of Bus (P[35] to P[0]).
R3	P[18]	Digital video input	Digital Video Input 18 of Bus (P[35] to P[0]).
R4	P[19]	Digital video input	Digital Video Input 19 of Bus (P[35] to P[0]).
R7	GND	GND	Ground.
R8	GND	GND	Ground.
R9	GND	GND	Ground.
R10	GND	GND	Ground.
R11	GND	GND	Ground.
R12	GND	GND	Ground.
R13	GND	GND	Ground.
R14	GND	GND	Ground.
R15	GND	GND	Ground.

Pin No.	Mnemonic	Type	Description
R16	GND	GND	Ground.
R17	GND	GND	Ground.
R20	DNC	Not applicable	Do Not Connect. Do not connect to this pin.
R21	GND	GND	Ground.
R22	DNC	Not applicable	Do Not Connect. Do not connect to this pin.
R23	DNC	Not applicable	Do Not Connect. Do not connect to this pin.
T1	P[14]	Digital video input	Digital Video Input 14 of Bus (P[35] to P[0]).
T2	P[15]	Digital video input	Digital Video Input 15 of Bus (P[35] to P[0]).
T3	GND	GND	Ground.
T4	GND	GND	Ground.
T7	GND	GND	Ground.
T8	GND	GND	Ground.
T9	GND	GND	Ground.
T10	GND	GND	Ground.
T11	GND	GND	Ground.
T12	GND	GND	Ground.
T13	GND	GND	Ground.
T14	GND	GND	Ground.
T15	GND	GND	Ground.
T16	GND	GND	Ground.
T17	GND	GND	Ground.
T20	DNC	Not applicable	Do Not Connect. Do not connect to this pin.
T21	GND	GND	Ground.
T22	DNC	Not applicable	Do Not Connect. Do not connect to this pin.
T23	DNC	Not applicable	Do Not Connect. Do not connect to this pin.
U1	P[10]	Digital video input	Digital Video Input 10 of Bus (P[35] to P[0]).
U2	P[11]	Digital video input	Digital Video Input 11 of Bus (P[35] to P[0]).
U3	P[12]	Digital video input	Digital Video Input 12 of Bus (P[35] to P[0]).
U4	P[13]	Digital video input	Digital Video Input 13 of Bus (P[35] to P[0]).
U7	GND	GND	Ground.
U8	GND	GND	Ground.
U9	DVDD	Power	Digital Power Supply (1.8 V).
U10	GND	GND	Ground.
U11	GND	GND	Ground.
U12	DVDD	Power	Digital Power Supply (1.8 V).
U13	GND	GND	Ground.
U14	GND	GND	Ground.
U15	DVDD	Power	Digital Power Supply (1.8 V).
U16	GND	GND	Ground.
U17	GND	GND	Ground.
U20	DNC	Not applicable	Do Not Connect. Do not connect to this pin.
U21	GND	GND	Ground.
U22	DNC	Not applicable	Do Not Connect. Do not connect to this pin.
U23	DNC	Not applicable	Do Not Connect. Do not connect to this pin.
V1	P[6]	Digital video input	Digital Video Input 6 of Bus (P[35] to P[0]).
V2	P[7]	Digital video input	Digital Video Input 7 of Bus (P[35] to P[0]).
V3	P[8]	Digital video input	Digital Video Input 8 of Bus (P[35] to P[0]).
V4	P[9]	Digital video input	Digital Video Input 9 of Bus (P[35] to P[0]).
V20	GND	GND	Ground.
V21	PVDD6	Power <sup>1</sup>	HDMI Transmitter PLL Power Supply (1.845 V).
V22	DNC	Not applicable	Do Not Connect. Do not connect to this pin.
V23	DNC	Not applicable	Do Not Connect. Do not connect to this pin.
W1	P[2]	Digital video input	Digital Video Input 2 of Bus (P[35] to P[0]).
W2	P[3]	Digital video input	Digital Video Input 3 of Bus (P[35] to P[0]).
W3	P[4]	Digital video input	Digital Video Input 4 of Bus (P[35] to P[0]).
W4	P[5]	Digital video input	Digital Video Input 5 of Bus (P[35] to P[0]).

Pin No.	Mnemonic	Type	Description
W20	TEST3	Miscellaneous digital	Test Pin. Connect this pin to ground through a 0.1 $\mu$ F capacitor.
W21	PVDD6	Power <sup>1</sup>	HDMI Transmitter PLL Power Supply (1.845 V).
W22	AVDD4	Power	HDMI Tx2 Analog Power Supply (1.8 V).
W23	AVDD4	Power	HDMI Tx2 Analog Power Supply (1.8 V).
Y1	P[0]	Digital video input	Digital Video Input 0 of Bus (P[35] to P[0]).
Y2	P[1]	Digital video input	Digital Video Input 1 of Bus (P[35] to P[0]).
Y3	DDR_DQS[2]	DDR interface	Data Strobe for DDR Data Bytes[23:16], True.
Y4	GND	GND	Ground.
Y5	DDR_DQ[23]	DDR interface	Data Line 23. Interface to external RAM data lines.
Y6	DVDD_DDR	Power	DDR Interface Supply (1.8 V).
Y7	DDR_DQS[3]	DDR interface	Data Strobe for DDR Data Bytes[31:24], True.
Y8	GND	GND	Ground.
Y9	DDR_A[11]	DDR interface	Address Line 11. Interface to external RAM address lines.
Y10	DVDD_DDR	Power	DDR Interface Supply (1.8 V).
Y11	DDR_A[4]	DDR interface	Address Line 4. Interface to external RAM address lines.
Y12	GND	GND	Ground.
Y13	$\overline{\text{DDR\_CAS}}$	DDR interface	Column Address Strobe for DDR Memory.
Y14	DVDD_DDR	Power	DDR Interface Supply (1.8 V).
Y15	DDR_ $\overline{\text{CK}}$	DDR interface	DDR Memory Clock. Interface to external DDR RAM clock lines.
Y16	GND	GND	Ground.
Y17	DDR_DQ[9]	DDR interface	Data Line 9. Interface to external RAM data lines.
Y18	DVDD_DDR	Power	DDR Interface Supply (1.8 V).
Y19	DDR_DQ[14]	DDR interface	Data Line 14. Interface to external RAM data lines.
Y20	GND	GND	Ground.
Y21	DDR_DQ[6]	DDR interface	Data Line 6. Interface to external RAM data lines.
Y22	PVDD_DDR	Power	DDR Interface PLL Supply (1.8 V).
Y23	GND	GND	Ground.
AA1	DDR_DQ[18]	DDR interface	Data Line 18. Interface to external RAM data lines.
AA2	GND	GND	Ground.
AA3	GND	GND	Ground.
AA4	DDR_DQS[2]	DDR interface	Data Strobe for DDR Data Bytes[23:16], Complement.
AA5	DDR_DQ[26]	DDR interface	Data Line 26. Interface to external RAM data lines.
AA6	DVDD_DDR	Power	DDR Interface Supply (1.8 V).
AA7	$\overline{\text{DDR\_DQS[3]}}$	DDR interface	Data Strobe for DDR Data Bytes[31:24], Complement.
AA8	DDR_A[13]	DDR interface	Address Line 13. Interface to external RAM address lines. For designs that must maintain consistency with the <a href="#">ADV8002</a> or the <a href="#">ADV8003</a> , this pin can be grounded or left unconnected.
AA9	DDR_A[8]	DDR interface	Address Line 8. Interface to external RAM address lines.
AA10	DVDD_DDR	Power	DDR Interface Supply (1.8 V).
AA11	DDR_A[2]	DDR interface	Address Line 2. Interface to external RAM address lines.
AA12	GND	GND	Ground.
AA13	$\overline{\text{DDR\_CS}}$	DDR interface	DDR Chip Select. Interface to external DDR RAM chip selects.
AA14	DVDD_DDR	Power	DDR Interface Supply (1.8 V).
AA15	DDR_ $\overline{\text{CK}}$	DDR interface	DDR Memory Clock. Interface to external DDR RAM clock lines.
AA16	GND	GND	Ground.
AA17	DDR_DQ[11]	DDR interface	Data Line 11. Interface to external RAM data lines.
AA18	DVDD_DDR	Power	DDR Interface Supply (1.8 V).
AA19	DDR_DM[1]	DDR interface	Data Mask for Data Lines[15:8].
AA20	DDR_DM[0]	DDR interface	Data Mask for Data Lines[7:0].
AA21	GND	GND	Ground.
AA22	GND	GND	Ground.
AA23	DDR_DQ[3]	DDR interface	Data Line 3. Interface to external RAM data lines.
AB1	DDR_DQ[21]	DDR interface	Data Line 21. Interface to external RAM data lines.
AB2	DDR_DQ[19]	DDR interface	Data Line 19. Interface to external RAM data lines.
AB3	DDR_DQ[17]	DDR interface	Data Line 17. Interface to external RAM data lines.
AB4	DDR_DM[2]	DDR interface	Data Mask for Data Lines[23:16].

Pin No.	Mnemonic	Type	Description
AB5	DDR_DQ[30]	DDR interface	Data Line 30. Interface to external RAM data lines.
AB6	DDR_DM[3]	DDR interface	Data Mask for Data Lines[31: 24].
AB7	DDR_DQ[31]	DDR interface	Data Line 31. Interface to external RAM data lines.
AB8	DDR_DQ[29]	DDR interface	Data Line 29. Interface to external RAM data lines.
AB9	DDR_A[12]	DDR interface	Address Line 12. Interface to external RAM address lines.
AB10	DDR_A[6]	DDR interface	Address Line 6. Interface to external RAM address lines.
AB11	DDR_A[3]	DDR interface	Address Line 3. Interface to external RAM address lines.
AB12	DDR_A[0]	DDR interface	Address Line 0. Interface to external RAM address lines.
AB13	DDR_BA[0]	DDR interface	Bank Address Line 0. Indicates which data bank to write to/read from.
AB14	DDR_RAS	DDR interface	Row Address Strobe for DDR Memory.
AB15	DDR_CKE	DDR interface	Clock Enable for External DDR Memory.
AB16	DDR_DQ[12]	DDR interface	Data Line 12. Interface to external RAM data lines.
AB17	DDR_DQS[1]	DDR interface	Data Strobe for DDR Data Bytes[15:8], True.
AB18	DDR_DQ[8]	DDR interface	Data Line 8. Interface to external RAM data lines.
AB19	DDR_DQ[13]	DDR interface	Data Line 13. Interface to external RAM data lines.
AB20	DDR_DQ[0]	DDR interface	Data Line 0. Interface to external RAM data lines.
AB21	DDR_DQ[5]	DDR interface	Data Line 5. Interface to external RAM data lines.
AB22	DDR_DQS[0]	DDR interface	Data Strobe for DDR Data Bytes[7:0], True.
AB23	DDR_DQ[4]	DDR interface	Data Line 4. Interface to external RAM data lines.
AC1	DDR_DQ[16]	DDR interface	Data Line 16. Interface to external RAM data lines.
AC2	DDR_DQ[20]	DDR interface	Data Line 20. Interface to external RAM data lines.
AC3	DDR_DQ[22]	DDR interface	Data Line 22. Interface to external RAM data lines.
AC4	DDR_DQ[25]	DDR interface	Data Line 25. Interface to external RAM data lines.
AC5	DDR_DQ[28]	DDR interface	Data Line 28. Interface to external RAM data lines.
AC6	DDR_DQ[27]	DDR interface	Data Line 27. Interface to external RAM data lines.
AC7	DDR_DQ[24]	DDR interface	Data Line 24. Interface to external RAM data lines.
AC8	DDR_A[9]	DDR interface	Address Line 9. Interface to external RAM address lines.
AC9	DDR_A[5]	DDR interface	Address Line 5. Interface to external RAM address lines.
AC10	DDR_A[7]	DDR interface	Address Line 7. Interface to external RAM address lines.
AC11	DDR_A[1]	DDR interface	Address Line 1. Interface to external RAM address lines.
AC12	DDR_A[10]	DDR interface	Address Line 10. Interface to external RAM address lines.
AC13	DDR_BA[1]	DDR interface	Bank Address Line 1. Indicates which data bank to write to/read from.
AC14	DDR_BA[2]	DDR interface	Bank Address Line 2. Indicates which data bank to write to/read from.
AC15	DDR_WE	DDR interface	Write Enable Signal for DDR RAM.
AC16	DDR_VREF	DDR interface <sup>1</sup>	Reference Voltage for DDR RAM.
AC17	DDR_DQ[10]	DDR interface	Data Line 10. Interface to external RAM data lines.
AC18	DDR_DQS[1]	DDR interface	Data Strobe for DDR Data Bytes[15:8], Complement.
AC19	DDR_DQ[15]	DDR interface	Data Line 15. Interface to external RAM data lines.
AC20	DDR_DQ[7]	DDR interface	Data Line 7. Interface to external RAM data lines.
AC21	DDR_DQ[2]	DDR interface	Data Line 2. Interface to external RAM data lines.
AC22	DDR_DQS[0]	DDR interface	Data Strobe for DDR Data Bytes[7:0], Complement.
AC23	DDR_DQ[1]	DDR interface	Data Line 1. Interface to external RAM data lines.

<sup>1</sup> Sensitive node. Careful layout is important. Keep the associated circuitry as close as possible to the [ADV8005](#).

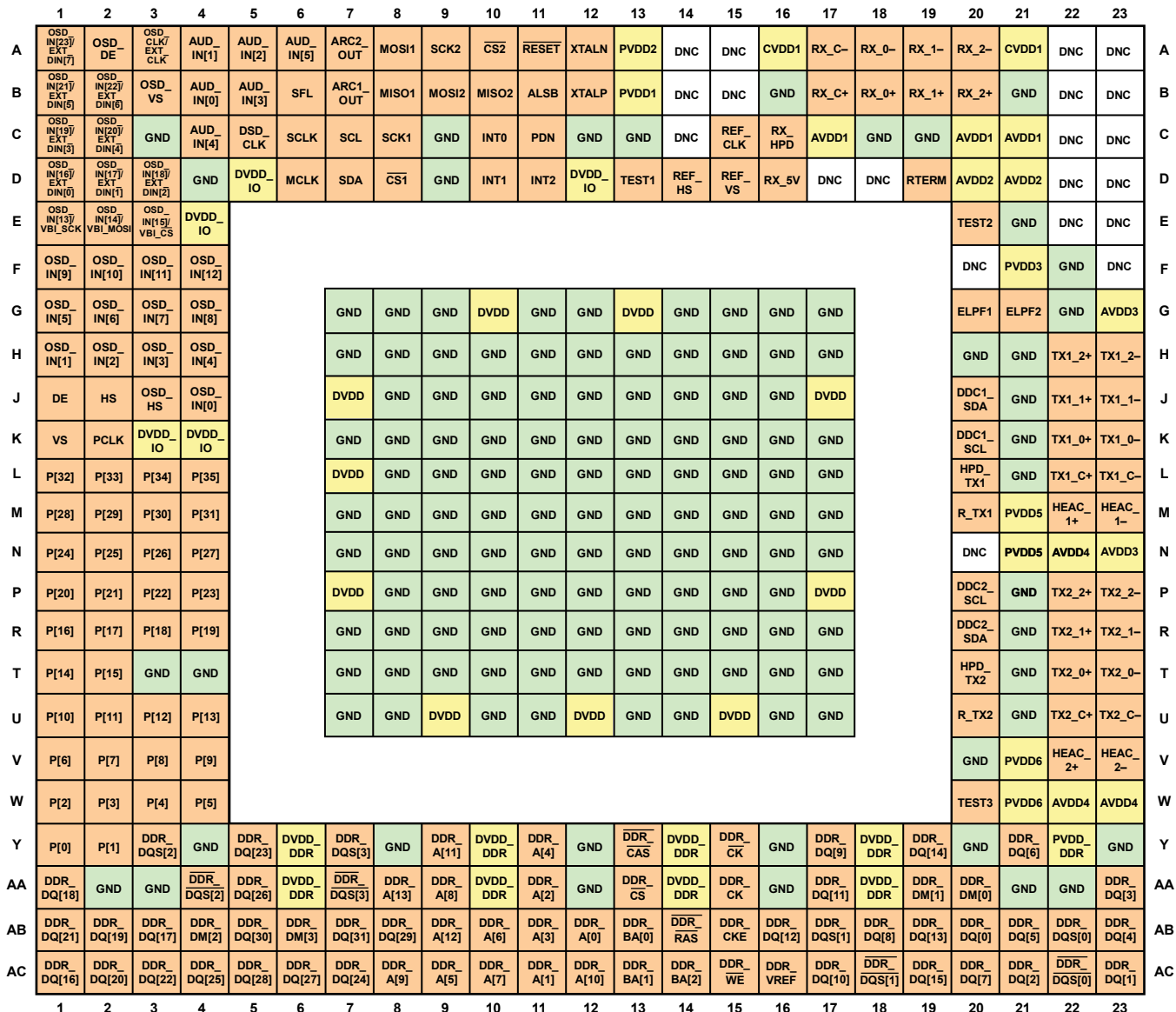


Figure 30. ADV8005KBCZ-8C Pin Configuration

Table 7. ADV8005KBCZ-8C Pin Function Descriptions

Pin No.	Mnemonic	Type	Description
A1	OSD_IN[23]/EXT_DIN[7]	OSD video input/ miscellaneous digital	External OSD Video Pixel Input Port 23 (OSD_IN[23]). Additional TTL Input for External ITU-R BT.656 Video Data (EXT_DIN[7]).
A2	OSD_DE	OSD video sync	Data Enable for the OSD Input Port.
A3	OSD_CLK/EXT_CLK	OSD video sync	Pixel Clock for the OSD Input Port (OSD_CLK). Pixel Clock for External Video Data (EXT_CLK).
A4	AUD_IN[1]	Audio input	I <sup>2</sup> S0/DSD1 Audio Input.
A5	AUD_IN[2]	Audio input	I <sup>2</sup> S1/DSD2 Audio Input.
A6	AUD_IN[5]	Audio input	Left/Right Clock/DSD5 Audio Input.
A7	ARC2_OUT	Audio output	Audio Return Channel for HDMI Tx2.
A8	MOSI1	Serial port control	Master Output Slave Input (Serial Port 1). Serial Port 1 is used for OSD control.
A9	SCK2	Serial port control	Serial Clock (Serial Port 2). Serial Port 2 is used for the external flash ROM.
A10	$\overline{CS2}$	Serial port control	Chip Select (Serial Port 2). Serial Port 2 is used for the external flash ROM.
A11	$\overline{RESET}$	Miscellaneous digital	Reset Pin.

Pin No.	Mnemonic	Type	Description
A12	XTALN	Miscellaneous 1.8 V Analog <sup>1</sup>	Crystal Output Pin. Leave this pin floating if a clock oscillator is used.
A13	PVDD2	Power	PLL Digital Supply Voltage (1.8 V).
A14	DNC	Not applicable	Do Not Connect. Do not connect to this pin.
A15	DNC	Not applicable	Do Not Connect. Do not connect to this pin.
A16	CVDD1	Power	Comparator Supply Voltage (1.8 V).
A17	RX_C-	Rx input	Rx Clock Complement Input.
A18	RX_0-	Rx input	Rx Channel 0 Complement Input.
A19	RX_1-	Rx input	Rx Channel 1 Complement Input.
A20	RX_2-	Rx input	Rx Channel 2 Complement Input.
A21	CVDD1	Power	Comparator Supply Voltage (1.8 V).
A22	DNC	Not applicable	Do Not Connect. Do not connect to this pin.
A23	DNC	Not applicable	Do Not Connect. Do not connect to this pin.
B1	OSD_IN[21]/EXT_DIN[5]	OSD video input/ miscellaneous digital	External OSD Video Pixel Input Port 21 (OSD_IN[21]). Additional TTL Input for External ITU-R BT.656 Video Data (EXT_DIN[5]).
B2	OSD_IN[22]/EXT_DIN[6]	OSD video input/ miscellaneous digital	External OSD Video Pixel Input Port 22 (OSD_IN[22]). Additional TTL Input for External ITU-R BT.656 Video Data (EXT_DIN[6]).
B3	OSD_VS	OSD video sync	Vertical Sync for the OSD Input Port.
B4	AUD_IN[0]	Audio input	S/PDIF/DSD0 Audio Input.
B5	AUD_IN[3]	Audio input	I <sup>2</sup> S2/DSD3 Audio Input.
B6	SFL	SFL	Subcarrier Frequency Lock Signal.
B7	ARC1_OUT	Audio output	Audio Return Channel for HDMI Tx1.
B8	MISO1	Serial port control	Master Input Slave Output (Serial Port 1). Serial Port 1 is used for OSD control.
B9	MOSI2	Serial port control	Master Output Slave Input (Serial Port 2). Serial Port 2 is used for the external flash ROM.
B10	MISO2	Serial port control	Master Input Slave Output (Serial Port 2). Serial Port 2 is used for the external flash ROM.
B11	ALSB	I <sup>2</sup> C control	This pin sets the LSB of the I <sup>2</sup> C address. When the ALSB pin is set low, the I <sup>2</sup> C address is 0x18; when the ALSB pin is set high, the I <sup>2</sup> C address is 0x1A.
B12	XTALP	Miscellaneous 1.8 V Analog <sup>1</sup>	Input Pin for 27 MHz Crystal or an External 1.8 V, 27 MHz Clock Oscillator Source to Clock the <a href="#">ADV8005</a> .
B13	PVDD1	Power	PLL Analog Supply Voltage (1.8 V).
B14	DNC	Not applicable	Do Not Connect. Do not connect to this pin.
B15	DNC	Not applicable	Do Not Connect. Do not connect to this pin.
B16	GND	GND	Ground.
B17	RX_C+	Rx input	Rx Clock True Input.
B18	RX_0+	Rx input	Rx Channel 0 True Input.
B19	RX_1+	Rx input	Rx Channel 1 True Input.
B20	RX_2+	Rx input	Rx Channel 2 True Input.
B21	GND	GND	Ground.
B22	DNC	Not applicable	Do Not Connect. Do not connect to this pin.
B23	DNC	Not applicable	Do Not Connect. Do not connect to this pin.
C1	OSD_IN[19]/EXT_DIN[3]	OSD video input/ miscellaneous digital	External OSD Video Pixel Input Port 19 (OSD_IN[19]). Additional TTL Input for External ITU-R BT.656 Video Data (EXT_DIN[3]).
C2	OSD_IN[20]/EXT_DIN[4]	OSD video input/ miscellaneous digital	External OSD Video Pixel Input Port 20 (OSD_IN[20]). Additional TTL Input for External ITU-R BT.656 Video Data (EXT_DIN[4]).
C3	GND	GND	Ground.
C4	AUD_IN[4]	Audio input	I <sup>2</sup> S3/DSD4 Audio Input.
C5	DSD_CLK	Audio input	DSD Audio Clock Input.
C6	SCLK	Audio input	I <sup>2</sup> S Bit Clock Input.
C7	SCL	I <sup>2</sup> C control	I <sup>2</sup> C Clock Input. SCL is open drain; use a 4.7 kΩ resistor to connect this pin to a 3.3 V supply.
C8	SCK1	Serial port control	Serial Clock (Serial Port 1). Serial Port 1 is used for OSD control.
C9	GND	GND	Ground.
C10	INT0	Miscellaneous digital	Interrupt Pin 0. When the status bits change, this pin is triggered.
C11	PDN	Miscellaneous digital	Power-Down. This pin controls the power state of the <a href="#">ADV8005</a> .
C12	GND	GND	Ground.
C13	GND	GND	Ground.
C14	DNC	Not applicable	Do Not Connect. Do not connect to this pin.
C15	REF_CLK	Digital input	Reference Clock Input for the Master Timing Block.

Pin No.	Mnemonic	Type	Description
C16	RX_HPD	Rx input	Hot Plug Assert Signal Output for the Rx Input.
C17	AVDD1	Power	HDMI Rx Inputs Analog Supply (3.3 V).
C18	GND	GND	Ground.
C19	GND	GND	Ground.
C20	AVDD1	Power	HDMI Rx Inputs Analog Supply (3.3 V).
C21	AVDD1	Power	HDMI Rx Inputs Analog Supply (3.3 V).
C22	DNC	Not applicable	Do Not Connect. Do not connect to this pin.
C23	DNC	Not applicable	Do Not Connect. Do not connect to this pin.
D1	OSD_IN[16]/EXT_DIN[0]	OSD video input/ miscellaneous digital	External OSD Video Pixel Input Port 16 (OSD_IN[16]). Additional TTL Input for External ITU-R BT.656 Video Data (EXT_DIN[0]).
D2	OSD_IN[17]/EXT_DIN[1]	OSD video input/ miscellaneous digital	External OSD Video Pixel Input Port 17 (OSD_IN[17]). Additional TTL Input for External ITU-R BT.656 Video Data (EXT_DIN[1]).
D3	OSD_IN[18]/EXT_DIN[2]	OSD video input/ miscellaneous digital	External OSD Video Pixel Input Port 18 (OSD_IN[18]). Additional TTL Input for External ITU-R BT.656 Video Data (EXT_DIN[2]).
D4	GND	GND	Ground.
D5	DVDD_IO	Power	Digital Interface Supply (3.3 V).
D6	MCLK	Audio input	MCLK for S/PDIF Input Audio.
D7	SDA	I <sup>2</sup> C control	I <sup>2</sup> C Data Input. SDA is open drain; use a 4.7 k $\Omega$ resistor to connect this pin to a 3.3 V supply.
D8	$\overline{CS1}$	Serial port control	Chip Select (Serial Port 1). Serial Port 1 is used for OSD control.
D9	GND	GND	Ground.
D10	INT1	Miscellaneous digital	Interrupt Pin for HDMI Transmitter Outputs. When the status bits change, an interrupt is generated on this pin.
D11	INT2	Miscellaneous digital	Interrupt Pin for HDMI Receiver Inputs. When the status bits change, an interrupt is generated on this pin.
D12	DVDD_IO	Power	Digital Interface Supply (3.3 V).
D13	TEST1	Miscellaneous digital	Test Pin. Float this pin.
D14	REF_HS	Digital input	Reference Horizontal Sync Input for the Master Timing Block.
D15	REF_VS	Digital input	Reference Vertical Sync Input for the Master Timing Block.
D16	RX_5V	Rx input	5 V Detect Pin for the Rx Input.
D17	DNC	Not applicable	Do Not Connect. Do not connect to this pin.
D18	DNC	Not applicable	Do Not Connect. Do not connect to this pin.
D19	RTERM	HDMI Rx input	This pin sets the internal termination resistance. Use a 500 $\Omega$ resistor between this pin and GND. Place the RTERM resistor as close as possible to the <a href="#">ADV8005</a> .
D20	AVDD2	Power	Analog Power Supply (3.3 V).
D21	AVDD2	Power	Analog Power Supply (3.3 V).
D22	DNC	Not applicable	Do Not Connect. Do not connect to this pin.
D23	DNC	Not applicable	Do Not Connect. Do not connect to this pin.
E1	OSD_IN[13]/VBI_SCK	OSD video input/ miscellaneous digital	External OSD Video Pixel Input Port 13 (OSD_IN[13]). Serial Clock for Video Blanking Interval (VBI) Data Serial Port 3 (VBI_SCK).
E2	OSD_IN[14]/VBI_MOSI	OSD video input/ miscellaneous digital	External OSD Video Pixel Input Port 14 (OSD_IN[14]). Master Output Slave Input for VBI Data Serial Port 3 (VBI_MOSI).
E3	OSD_IN[15]/VBI_ $\overline{CS}$	OSD video input/ miscellaneous digital	External OSD Video Pixel Input Port 15 (OSD_IN[15]). Chip Select for VBI Data Serial Port 3 (VBI_ $\overline{CS}$ ).
E4	DVDD_IO	Power	Digital Interface Supply (3.3 V).
E20	TEST2	Miscellaneous analog	Test Pin. Float this pin.
E21	GND	GND	Ground.
E22	DNC	Not applicable	Do Not Connect. Do not connect to this pin.
E23	DNC	Not applicable	Do Not Connect. Do not connect to this pin.
F1	OSD_IN[9]	OSD video input	External OSD Video Pixel Input Port 9.
F2	OSD_IN[10]	OSD video input	External OSD Video Pixel Input Port 10.
F3	OSD_IN[11]	OSD video input	External OSD Video Pixel Input Port 11.
F4	OSD_IN[12]	OSD video input/ miscellaneous digital	External OSD Video Pixel Input Port 12.
F20	DNC	Not applicable	Do Not Connect. Do not connect to this pin.
F21	PVDD3	Power	PLL Supply (1.8 V).
F22	GND	GND	Ground.
F23	DNC	Not applicable	Do Not Connect. Do not connect to this pin.

Pin No.	Mnemonic	Type	Description
G1	OSD_IN[5]	OSD video input	External OSD Video Pixel Input Port 5.
G2	OSD_IN[6]	OSD video input	External OSD Video Pixel Input Port 6.
G3	OSD_IN[7]	OSD video input	External OSD Video Pixel Input Port 7.
G4	OSD_IN[8]	OSD video input	External OSD Video Pixel Input Port.
G7	GND	GND	Ground.
G8	GND	GND	Ground.
G9	GND	GND	Ground.
G10	DVDD	Power	Digital Power Supply (1.8 V).
G11	GND	GND	Ground.
G12	GND	GND	Ground.
G13	DVDD	Power	Digital Power Supply (1.8 V).
G14	GND	GND	Ground.
G15	GND	GND	Ground.
G16	GND	GND	Ground.
G17	GND	GND	Ground.
G20	ELPF1	Miscellaneous analog <sup>1</sup>	External Loop Filter for PLL 1. Connect to PVDD3.
G21	ELPF2	Miscellaneous analog <sup>1</sup>	External Loop Filter for PLL 2. Connect to PVDD3.
G22	GND	GND	Ground.
G23	AVDD3	Power	HDMI Tx1 Analog Power Supply (1.8 V).
H1	OSD_IN[1]	OSD video input	External OSD Video Pixel Input Port 1.
H2	OSD_IN[2]	OSD video input	External OSD Video Pixel Input Port 2.
H3	OSD_IN[3]	OSD video input	External OSD Video Pixel Input Port 3.
H4	OSD_IN[4]	OSD video input	External OSD Video Pixel Input Port 4.
H7	GND	GND	Ground.
H8	GND	GND	Ground.
H9	GND	GND	Ground.
H10	GND	GND	Ground.
H11	GND	GND	Ground.
H12	GND	GND	Ground.
H13	GND	GND	Ground.
H14	GND	GND	Ground.
H15	GND	GND	Ground.
H16	GND	GND	Ground.
H17	GND	GND	Ground.
H20	GND	GND	Ground.
H21	GND	GND	Ground.
H22	TX1_2+	HDMI Tx1	HDMI1 Channel 2 True Output.
H23	TX1_2-	HDMI Tx1	HDMI1 Channel 2 Complement Output.
J1	DE	Digital video sync	Data Enable for Digital Input Video.
J2	HS	Digital video sync	Horizontal Sync for Digital Input Video.
J3	OSD_HS	Digital video sync	Horizontal Sync for the OSD Input Port.
J4	OSD_IN[0]	OSD video input	External OSD Video Pixel Input Port.
J7	DVDD	Power	Digital Power Supply (1.8 V).
J8	GND	GND	Ground.
J9	GND	GND	Ground.
J10	GND	GND	Ground.
J11	GND	GND	Ground.
J12	GND	GND	Ground.
J13	GND	GND	Ground.
J14	GND	GND	Ground.
J15	GND	GND	Ground.
J16	GND	GND	Ground.
J17	DVDD	Power	Digital Power Supply (1.8 V).
J20	DDC1_SDA	HDMI Tx1	HDCP Slave Serial Data for HDMI Tx1. This pin is open drain; use a 2 k $\Omega$ resistor to connect this pin to the HDMI transmitter 5 V supply.
J21	GND	GND	Ground.

Pin No.	Mnemonic	Type	Description
J22	TX1_1+	HDMI Tx1	HDMI1 Channel 1 True Output.
J23	TX1_1-	HDMI Tx1	HDMI1 Channel 1 Complement Output.
K1	VS	Digital video sync	Vertical Sync for Digital Input Video.
K2	PCLK	Digital video sync	Pixel Clock for Digital Input Video.
K3	DVDD_IO	Power	Digital Interface Supply (3.3 V).
K4	DVDD_IO	Power	Digital Interface Supply (3.3 V).
K7	GND	GND	Ground.
K8	GND	GND	Ground.
K9	GND	GND	Ground.
K10	GND	GND	Ground.
K11	GND	GND	Ground.
K12	GND	GND	Ground.
K13	GND	GND	Ground.
K14	GND	GND	Ground.
K15	GND	GND	Ground.
K16	GND	GND	Ground.
K17	GND	GND	Ground.
K20	DDC1_SCL	HDMI Tx1	HDCP Slave Serial Clock for HDMI Tx1. This pin is open drain; use a 2 k $\Omega$ resistor to connect this pin to the HDMI transmitter 5 V supply.
K21	GND	GND	Ground.
K22	TX1_0+	HDMI Tx1	HDMI1 Channel 0 True Output.
K23	TX1_0-	HDMI Tx1	HDMI1 Channel 0 Complement Output.
L1	P[32]	Digital video input	Digital Video Input 32 of Bus (P[35] to P[0]).
L2	P[33]	Digital video input	Digital Video Input 33 of Bus (P[35] to P[0]).
L3	P[34]	Digital video input	Digital Video Input 34 of Bus (P[35] to P[0]).
L4	P[35]	Digital video input	Digital Video Input 35 of Bus (P[35] to P[0]).
L7	DVDD	Power	Digital Power Supply (1.8 V).
L8	GND	GND	Ground.
L9	GND	GND	Ground.
L10	GND	GND	Ground.
L11	GND	GND	Ground.
L12	GND	GND	Ground.
L13	GND	GND	Ground.
L14	GND	GND	Ground.
L15	GND	GND	Ground.
L16	GND	GND	Ground.
L17	GND	GND	Ground.
L20	HPD_TX1	HDMI Tx1	Hot Plug Assert Signal Input for HDMI Tx1.
L21	GND	GND	Ground.
L22	TX1_C+	HDMI Tx1	HDMI1 Clock True Output.
L23	TX1_C-	HDMI Tx1	HDMI1 Clock Complement Output.
M1	P[28]	Digital video input	Digital Video Input 28 of Bus (P[35] to P[0]).
M2	P[29]	Digital video input	Digital Video Input 29 of Bus (P[35] to P[0]).
M3	P[30]	Digital video input	Digital Video Input 30 of Bus (P[35] to P[0]).
M4	P[31]	Digital video input	Digital Video Input 31 of Bus (P[35] to P[0]).
M7	GND	GND	Ground.
M8	GND	GND	Ground.
M9	GND	GND	Ground.
M10	GND	GND	Ground.
M11	GND	GND	Ground.
M12	GND	GND	Ground.
M13	GND	GND	Ground.
M14	GND	GND	Ground.
M15	GND	GND	Ground.
M16	GND	GND	Ground.
M17	GND	GND	Ground.

Pin No.	Mnemonic	Type	Description
M20	R_TX1	HDMI Tx1 <sup>1</sup>	This pin sets the internal reference currents. Place a 470 $\Omega$ resistor (1% tolerance) between this pin and ground, as close as possible to the <a href="#">ADV8005</a> .
M21	PVDD5	Power <sup>1</sup>	HDMI Tx PLL Power Supply (1.845 V).
M22	HEAC_1+	HDMI Tx1	HDMI Ethernet and Audio Channel Positive Tx1 from the HDMI Connector.
M23	HEAC_1-	HDMI Tx1	HDMI Ethernet and Audio Channel Negative Tx1 from the HDMI Connector.
N1	P[24]	Digital video input	Digital Video Input 24 of Bus (P[35] to P[0]).
N2	P[25]	Digital video input	Digital Video Input 25 of Bus (P[35] to P[0]).
N3	P[26]	Digital video input	Digital Video Input 26 of Bus (P[35] to P[0]).
N4	P[27]	Digital video input	Digital Video Input 27 of Bus (P[35] to P[0]).
N7	GND	GND	Ground.
N8	GND	GND	Ground.
N9	GND	GND	Ground.
N10	GND	GND	Ground.
N11	GND	GND	Ground.
N12	GND	GND	Ground.
N13	GND	GND	Ground.
N14	GND	GND	Ground.
N15	GND	GND	Ground.
N16	GND	GND	Ground.
N17	GND	GND	Ground.
N20	DNC	Not applicable	Do Not Connect. Do not connect to this pin.
N21	PVDD5	Power <sup>1</sup>	HDMI Transmitter PLL Power Supply (1.845 V).
N22	AVDD4	Power	HDMI Tx2 Analog Power Supply (1.8 V).
N23	AVDD3	Power	HDMI Tx1 Analog Power Supply (1.8 V).
P1	P[20]	Digital video input	Digital Video Input 20 of Bus (P[35] to P[0]).
P2	P[21]	Digital video input	Digital Video Input 21 of Bus (P[35] to P[0]).
P3	P[22]	Digital video input	Digital Video Input 22 of Bus (P[35] to P[0]).
P4	P[23]	Digital video input	Digital Video Input 23 of Bus (P[35] to P[0]).
P7	DVDD	Power	Digital Power Supply (1.8 V).
P8	GND	GND	Ground.
P9	GND	GND	Ground.
P10	GND	GND	Ground.
P11	GND	GND	Ground.
P12	GND	GND	Ground.
P13	GND	GND	Ground.
P14	GND	GND	Ground.
P15	GND	GND	Ground.
P16	GND	GND	Ground.
P17	DVDD	Power	Digital Power Supply (1.8 V).
P20	DDC2_SCL	HDMI Tx2	HDCP Slave Serial Clock for HDMI Tx2. This pin is open drain; use a 2 k $\Omega$ resistor to connect this pin to the HDMI transmitter 5 V supply.
P21	GND	GND	Ground.
P22	TX2_2+	HDMI Tx2	HDMI2 Channel 2 True Output.
P23	TX2_2-	HDMI Tx2	HDMI2 Channel 2 Complement Output.
R1	P[16]	Digital video input	Digital Video Input 16 of Bus (P[35] to P[0]).
R2	P[17]	Digital video input	Digital Video Input 17 of Bus (P[35] to P[0]).
R3	P[18]	Digital video input	Digital Video Input 18 of Bus (P[35] to P[0]).
R4	P[19]	Digital video input	Digital Video Input 19 of Bus (P[35] to P[0]).
R7	GND	GND	Ground.
R8	GND	GND	Ground.
R9	GND	GND	Ground.
R10	GND	GND	Ground.
R11	GND	GND	Ground.
R12	GND	GND	Ground.
R13	GND	GND	Ground.
R14	GND	GND	Ground.

Pin No.	Mnemonic	Type	Description
R15	GND	GND	Ground.
R16	GND	GND	Ground.
R17	GND	GND	Ground.
R20	DDC2_SDA	HDMI Tx2	HDCP Slave Serial Data for HDMI Tx2. This pin is open drain; use a 2 k $\Omega$ resistor to connect this pin to the HDMI transmitter 5 V supply.
R21	GND	GND	Ground.
R22	TX2_1+	HDMI Tx2	HDMI2 Channel 1 True Output.
R23	TX2_1-	HDMI Tx2	HDMI2 Channel 1 Complement Output.
T1	P[14]	Digital video input	Digital Video Input 14 of Bus (P[35] to P[0]).
T2	P[15]	Digital video input	Digital Video Input 15 of Bus (P[35] to P[0]).
T3	GND	GND	Ground.
T4	GND	GND	Ground.
T7	GND	GND	Ground.
T8	GND	GND	Ground.
T9	GND	GND	Ground.
T10	GND	GND	Ground.
T11	GND	GND	Ground.
T12	GND	GND	Ground.
T13	GND	GND	Ground.
T14	GND	GND	Ground.
T15	GND	GND	Ground.
T16	GND	GND	Ground.
T17	GND	GND	Ground.
T20	HPD_TX2	HDMI Tx2	Hot Plug Assert Signal Input for HDMI Tx2.
T21	GND	GND	Ground.
T22	TX2_0+	HDMI Tx2	HDMI2 Channel 0 True Output.
T23	TX2_0-	HDMI Tx2	HDMI2 Channel 0 Complement Output.
U1	P[10]	Digital video input	Digital Video Input 10 of Bus (P[35] to P[0]).
U2	P[11]	Digital video input	Digital Video Input 11 of Bus (P[35] to P[0]).
U3	P[12]	Digital video input	Digital Video Input 12 of Bus (P[35] to P[0]).
U4	P[13]	Digital video input	Digital Video Input 13 of Bus (P[35] to P[0]).
U7	GND	GND	Ground.
U8	GND	GND	Ground.
U9	DVDD	Power	Digital Power Supply (1.8 V).
U10	GND	GND	Ground.
U11	GND	GND	Ground.
U12	DVDD	Power	Digital Power Supply (1.8 V).
U13	GND	GND	Ground.
U14	GND	GND	Ground.
U15	DVDD	Power	Digital Power Supply (1.8 V).
U16	GND	GND	Ground.
U17	GND	GND	Ground.
U20	R_TX2	HDMI Tx2 <sup>1</sup>	This pin sets the internal reference currents. Place a 470 $\Omega$ resistor (1% tolerance) between this pin and ground, as close as possible to the <a href="#">ADV8005</a> .
U21	GND	GND	Ground.
U22	TX2_C+	HDMI Tx2	HDMI2 Clock True Output.
U23	TX2_C-	HDMI Tx2	HDMI2 Clock Complement Output.
V1	P[6]	Digital video input	Digital Video Input 6 of Bus (P[35] to P[0]).
V2	P[7]	Digital video input	Digital Video Input 7 of Bus (P[35] to P[0]).
V3	P[8]	Digital video input	Digital Video Input 8 of Bus (P[35] to P[0]).
V4	P[9]	Digital video input	Digital Video Input 9 of Bus (P[35] to P[0]).
V20	GND	GND	Ground.
V21	PVDD6	Power <sup>1</sup>	HDMI Transmitter PLL Power Supply (1.8 V).
V22	HEAC_2+	HDMI Tx2	HDMI Ethernet and Audio Channel Positive Tx2 from the HDMI Connector.
V23	HEAC_2-	HDMI Tx2	HDMI Ethernet and Audio Channel Negative Tx2 from the HDMI Connector.
W1	P[2]	Digital video input	Digital Video Input 2 of Bus (P[35] to P[0]).

Pin No.	Mnemonic	Type	Description
W2	P[3]	Digital video input	Digital Video Input 3 of Bus (P[35] to P[0]).
W3	P[4]	Digital video input	Digital Video Input 4 of Bus (P[35] to P[0]).
W4	P[5]	Digital video input	Digital Video Input 5 of Bus (P[35] to P[0]).
W20	TEST3	Miscellaneous digital	Test Pin. Connect this pin to ground through a 0.1 $\mu$ F capacitor.
W21	PVDD6	Power <sup>1</sup>	HDMI Transmitter PLL Power Supply (1.845 V).
W22	AVDD4	Power	HDMI Tx2 Analog Power Supply (1.8 V).
W23	AVDD4	Power	HDMI Tx2 Analog Power Supply (1.8 V).
Y1	P[0]	Digital video input	Digital Video Input 0 of Bus (P[35] to P[0]).
Y2	P[1]	Digital video input	Digital Video Input 1 of Bus (P[35] to P[0]).
Y3	DDR_DQS[2]	DDR interface	Data Strobe for DDR Data Bytes[23:16], True.
Y4	GND	GND	Ground.
Y5	DDR_DQ[23]	DDR interface	Data Line 23. Interface to external RAM data lines.
Y6	DVDD_DDR	Power	DDR Interface Supply (1.8 V).
Y7	DDR_DQS[3]	DDR interface	Data Strobe for DDR Data Bytes[31:24], True.
Y8	GND	GND	Ground.
Y9	DDR_A[11]	DDR interface	Address Line 11. Interface to external RAM address lines.
Y10	DVDD_DDR	Power	DDR Interface Supply (1.8 V).
Y11	DDR_A[4]	DDR interface	Address Line 4. Interface to external RAM address lines.
Y12	GND	GND	Ground.
Y13	DDR_CAS	DDR interface	Column Address Strobe for DDR Memory.
Y14	DVDD_DDR	Power	DDR Interface Supply (1.8 V).
Y15	DDR_CK	DDR interface	DDR Memory Clock. Interface to external DDR RAM clock lines.
Y16	GND	GND	Ground.
Y17	DDR_DQ[9]	DDR interface	Data Line 9. Interface to external RAM data lines.
Y18	DVDD_DDR	Power	DDR Interface Supply (1.8 V).
Y19	DDR_DQ[14]	DDR interface	Data Line 14. Interface to external RAM data lines.
Y20	GND	GND	Ground.
Y21	DDR_DQ[6]	DDR interface	Data Line 6. Interface to external RAM data lines.
Y22	PVDD_DDR	Power	DDR Interface PLL Supply (1.8 V).
Y23	GND	GND	Ground.
AA1	DDR_DQ[18]	DDR interface	Data Line 18. Interface to external RAM data lines.
AA2	GND	GND	Ground.
AA3	GND	GND	Ground.
AA4	DDR_DQS[2]	DDR interface	Data Strobe for DDR Data Bytes[23:16], Complement.
AA5	DDR_DQ[26]	DDR interface	Data Line 26. Interface to external RAM data lines.
AA6	DVDD_DDR	Power	DDR Interface Supply (1.8 V).
AA7	DDR_DQS[3]	DDR interface	Data Strobe for DDR Data Bytes[31:24], Complement.
AA8	DDR_A[13]	DDR interface	Address Line 13. Interface to external RAM address lines. For designs that must maintain consistency with the <a href="#">ADV8002</a> or the <a href="#">ADV8003</a> , this pin can be grounded or left unconnected.
AA9	DDR_A[8]	DDR interface	Address Line 8. Interface to external RAM address lines.
AA10	DVDD_DDR	Power	DDR Interface Supply (1.8 V).
AA11	DDR_A[2]	DDR interface	Address Line 2. Interface to external RAM address lines.
AA12	GND	GND	Ground.
AA13	DDR_CS	DDR interface	DDR Chip Select. Interface to external DDR RAM chip selects.
AA14	DVDD_DDR	Power	DDR Interface Supply (1.8 V).
AA15	DDR_CK	DDR interface	DDR Memory Clock. Interface to external DDR RAM clock lines.
AA16	GND	GND	Ground.
AA17	DDR_DQ[11]	DDR interface	Data Line 11. Interface to external RAM data lines.
AA18	DVDD_DDR	Power	DDR Interface Supply (1.8 V).
AA19	DDR_DM[1]	DDR interface	Data Mask for Data Lines[15:8].
AA20	DDR_DM[0]	DDR interface	Data Mask for Data Lines[7:0].
AA21	GND	GND	Ground.
AA22	GND	GND	Ground.
AA23	DDR_DQ[3]	DDR interface	Data Line 3. Interface to external RAM data lines.
AB1	DDR_DQ[21]	DDR interface	Data Line 21. Interface to external RAM data lines.

Pin No.	Mnemonic	Type	Description
AB2	DDR_DQ[19]	DDR interface	Data Line 19. Interface to external RAM data lines.
AB3	DDR_DQ[17]	DDR interface	Data Line 17. Interface to external RAM data lines.
AB4	DDR_DM[2]	DDR interface	Data Mask for Data Lines[23:16].
AB5	DDR_DQ[30]	DDR interface	Data Line 30. Interface to external RAM data lines.
AB6	DDR_DM[3]	DDR interface	Data Mask for Data Lines[31:24].
AB7	DDR_DQ[31]	DDR interface	Data Line 31. Interface to external RAM data lines.
AB8	DDR_DQ[29]	DDR interface	Data Line 29. Interface to external RAM data lines.
AB9	DDR_A[12]	DDR interface	Address Line 12. Interface to external RAM address lines.
AB10	DDR_A[6]	DDR interface	Address Line 6. Interface to external RAM address lines.
AB11	DDR_A[3]	DDR interface	Address Line 3. Interface to external RAM address lines.
AB12	DDR_A[0]	DDR interface	Address Line 0. Interface to external RAM address lines.
AB13	DDR_BA[0]	DDR interface	Bank Address Line 0. Indicates which data bank to write to/read from.
AB14	DDR_RAS	DDR interface	Row Address Strobe for DDR Memory.
AB15	DDR_CKE	DDR interface	Clock Enable for External DDR Memory.
AB16	DDR_DQ[12]	DDR interface	Data Line 12. Interface to external RAM data lines.
AB17	DDR_DQS[1]	DDR interface	Data Strobe for DDR Data Bytes[15:8], True.
AB18	DDR_DQ[8]	DDR interface	Data Line 8. Interface to external RAM data lines.
AB19	DDR_DQ[13]	DDR interface	Data Line 13. Interface to external RAM data lines.
AB20	DDR_DQ[0]	DDR interface	Data Line 0. Interface to external RAM data lines.
AB21	DDR_DQ[5]	DDR interface	Data Line 5. Interface to external RAM data lines.
AB22	DDR_DQS[0]	DDR interface	Data Strobe for DDR Data Bytes[7:0], True.
AB23	DDR_DQ[4]	DDR interface	Data Line 4. Interface to external RAM data lines.
AC1	DDR_DQ[16]	DDR interface	Data Line 16. Interface to external RAM data lines.
AC2	DDR_DQ[20]	DDR interface	Data Line 20. Interface to external RAM data lines.
AC3	DDR_DQ[22]	DDR interface	Data Line 22. Interface to external RAM data lines.
AC4	DDR_DQ[25]	DDR interface	Data Line 25. Interface to external RAM data lines.
AC5	DDR_DQ[28]	DDR interface	Data Line 28. Interface to external RAM data lines.
AC6	DDR_DQ[27]	DDR interface	Data Line 27. Interface to external RAM data lines.
AC7	DDR_DQ[24]	DDR interface	Data Line 24. Interface to external RAM data lines.
AC8	DDR_A[9]	DDR interface	Address Line 9. Interface to external RAM address lines.
AC9	DDR_A[5]	DDR interface	Address Line 5. Interface to external RAM address lines.
AC10	DDR_A[7]	DDR interface	Address Line 7. Interface to external RAM address lines.
AC11	DDR_A[1]	DDR interface	Address Line 1. Interface to external RAM address lines.
AC12	DDR_A[10]	DDR interface	Address Line 10. Interface to external RAM address lines.
AC13	DDR_BA[1]	DDR interface	Bank Address Line 1. Indicates which data bank to write to/read from.
AC14	DDR_BA[2]	DDR interface	Bank Address Line 2. Indicates which data bank to write to/read from.
AC15	DDR_WE	DDR interface	Write Enable Signal for DDR RAM.
AC16	DDR_VREF	DDR interface <sup>1</sup>	Reference Voltage for DDR RAM.
AC17	DDR_DQ[10]	DDR interface	Data Line 10. Interface to external RAM data lines.
AC18	DDR_DQS[1]	DDR interface	Data Strobe for DDR Data Bytes[15:8], Complement.
AC19	DDR_DQ[15]	DDR interface	Data Line 15. Interface to external RAM data lines.
AC20	DDR_DQ[7]	DDR interface	Data Line 7. Interface to external RAM data lines.
AC21	DDR_DQ[2]	DDR interface	Data Line 2. Interface to external RAM data lines.
AC22	DDR_DQS[0]	DDR interface	Data Strobe for DDR Data Bytes[7:0], Complement.
AC23	DDR_DQ[1]	DDR interface	Data Line 1. Interface to external RAM data lines.

<sup>1</sup> Sensitive node. Careful layout is important. Keep the associated circuitry as close as possible to the [ADV8005](#).

## THEORY OF OPERATION

### VIDEO INPUT

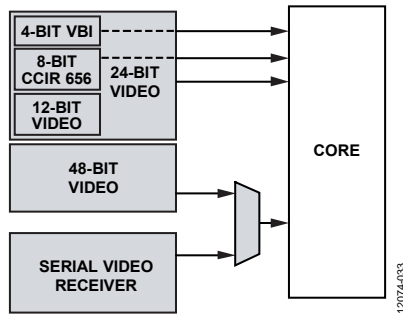


Figure 31. Digital Video Interface

The [ADV8005](#) can receive data via the 48-bit input pixel port, the 24-bit OSD input port, or from the output of an HDMI transmitter.

The 48-bit input pixel port can receive data from an upstream analog/HDMI front-end device such as the [ADV7619](#). This bus can accept multiple input formats in both RGB and YPrPb color spaces. Single data rate (SDR) and double data rate (DDR) input formats are supported.

The 24-bit input pixel port can also receive video data from an upstream analog/HDMI front-end device such as the [ADV7844](#) or OSD data from an external OSD generator. This bus can accept multiple input formats up to UXGA. SDR and DDR input formats are supported. The video input on the 24-bit pixel port can be scaled and overlaid onto the main video path.

The serial video receiver can accept the output of an HDMI transmitter such as the [ADV7850](#) or [ADV7623](#). Using this configuration, the front-end device can extract HDMI audio for processing before reinserting the audio into the [ADV8005](#) via the audio pins, for output through the HDMI transmitters. Audio can also be passed through the serial video link from the HDMI transmitter. This input, however, does not support EDID or HDCP operations.

Picture-in-picture (PiP) support is possible when receiving video data on more than one of the video inputs, such as the 48-bit pixel port and the serial video receiver.

The 60-pin TTL video interface supports the following features:

- Up to 48-bit pixel input port
- Up to 24-bit pixel port for external OSD, if the [ADV8005](#) internal OSD is not used
- Up to 36-bit pixel output port
- An SPI interface enabling video blanking interval (VBI) data insertion

### PROFESSIONAL CONFIGURATION

To accommodate professional applications where HDMI and analog video output are not desired, the [ADV8005](#) offers a 30-bit TTL input, 30-bit TTL output mode. This mode suits applications where a video signal processor is required between two TTL interfaces (for example, an HDMI receiver and an FPGA).

### EXTERNAL SYNC MODE

To alleviate the challenges involved in synchronizing multiple video streams, the [ADV8005](#) supports an external sync mode. In this mode, an external sync (VS and/or HS) is applied to the [ADV8005](#). The video outputs from the [ADV8005](#) then acts as a slave to the master sync timing. The [ADV8005](#) can also synchronize two inputs to externally applied reference sync signals. An externally applied master sync signal (VS and/or HS) is. Using this external sync mode, it is possible to synchronize multiple [ADV8005](#) output video streams to an external sync input.

### FLEXIBLE DIGITAL CORE

The [ADV8005](#) has a flexible digital core that enables many different configurations of single, dual, and triple video processing paths. Video processing can be placed first in the signal chain to ensure that all outputs are processed to the highest quality. OSD can be placed at numerous locations within the signal chain to vary the number of outputs on which the OSD is displayed. PiP can also be supported via the OSD block, using a pixel port input that is connected to the OSD block. Several modes of operation are defined to help the user quickly integrate the [ADV8005](#) into a system.

### VIDEO SIGNAL PROCESSOR (VSP)

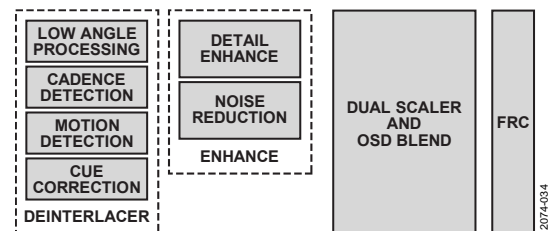


Figure 32. Video Processing

The [ADV8005](#) offers video deinterlacing and scaling. The deinterlacer, located in the primary VSP, is motion adaptive and offers high performance on low angle edges. It supports input video resolutions of 480i, 576i, and 1080i.

The dual scalers in the [ADV8005](#) support the Analog Devices proprietary scaling algorithm, which provides very high quality video upscaling and downscaling. This scaling algorithm helps eradicate many of the common problems that are encountered when scaling video data, such as saw tooth, edge blurring, and ringing.

The [ADV8005](#) is capable of upscaling and downscaling between a range of SD, HD, and ultra HD video resolutions (for example,

480p, 576p, 720p, 1080p, and 4k × 2k). The presence of two video scalers allows the generation of multiple different video resolutions on the ADV8005 outputs. The ADV8005 is also capable of upscaling and downscaling to and from a wide range of non-CEA (for example, VESA) formats.

Cadence detection and frame rate conversion are also supported in the ADV8005, which allows film formats to be displayed at their native frame rate, as well as being converted to the native refresh rate of the TV. Additional video processing in the ADV8005 helps with reduction of common video artifacts such as mosquito, random, and block noise. The ADV8005 also includes an aspect ratio converter, as well as a panorama mode feature.

Video metrics readbacks are provided to enable a system application to select the correct phase and frequency for VGA-type graphics inputs. These readbacks can be used to assist in tuning the sampling phase of an ADC front-end device.

The following VSP features are included:

- High performance motion adaptive SD/HD deinterlacer and scaler
- Two scalers, allowing independent scaling on ADV8005 outputs
- Frame rate converter, supporting conversion between multiple frame rates (23.976 Hz, 24 Hz, 25 Hz, 29.97 Hz, 30 Hz, 50 Hz, 59.94 Hz, and 60 Hz)
- Noise reduction, which helps with the reduction of random, block, and mosquito noise
- Six manually programmable color space converters that are distributed between inputs and outputs
- Autophase and frequency readbacks

## ON-SCREEN DISPLAY (OSD)

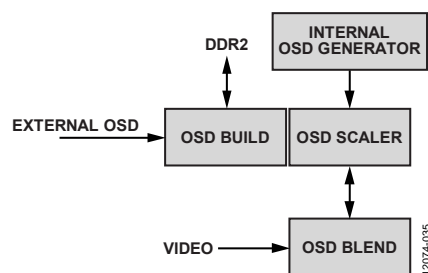


Figure 33. Bit Map-Based OSD

The ADV8005 incorporates a bit map-based OSD block that allows users to create impressive OSD designs that can include bit map images, as well as motion and animation. Individual regions of the OSD can be alpha blended and prioritized over other regions.

An OSD development tool, Blimp, is provided to assist in the design and development of custom OSDs and to abstract the OSD hardware from the user. This tool automatically generates two design elements: a design resource (containing character sets and images) that must be downloaded to an external SPI flash on the board, and code that must be integrated with

system APIs to link the functionality of the OSD with the functionality of the system.

The OSD design resource is loaded into external DDR2 memories on power-up by the OSD coprocessor of the ADV8005. This coprocessor is responsible for handling upper level commands from the user and translating them into lower level operations for the OSD and direct memory access (DMA).

OSD features include the following:

- Pixel-by-pixel alpha blending and priority levels assigned to the different OSD components
- A high performance OSD scaler allows the rendering of OSDs at a single resolution, as well as blending at different resolutions

## EXTERNAL DDR2 MEMORY

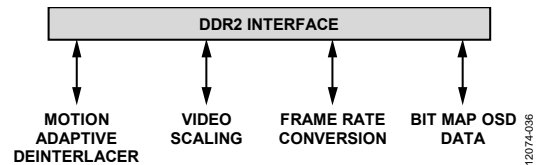


Figure 34. External DDR2 Memory Interface

External DDR2 memory is required for motion adaptive deinterlacing, scaling, frame rate conversion, and bit map OSD overlay. The bandwidth of external memory required is determined by the input video formats that the ADV8005 must support, as well as the level of video processing required (scaling, conversion, and OSD). Depending on the exact application requirements, the ADV8005 can support various combinations of memory (single or double memories) and memory sizes (up to two 2 Gb memories).

## HDMI TRANSMITTERS

The ADV8005 features dual HDMI transmitters. The transmitters support all HDTV formats up to 4k × 2k, all mandatory, and many optional, 3D formats. Each HDMI transmitter features an audio return channel (ARC) receiver and on-chip microprocessor units with display data channel (DDC) I<sup>2</sup>C masters to perform HDCP operations and EDID operations.

HDMI Tx features include the following:

- Support for all formats up to 4k × 2k
- Audio return channel (ARC) support
- Mandatory 3D formats and many optional 3D formats
- HDMI audio interface with support for multiple audio formats (S/PDIF, I<sup>2</sup>S, DSD, HBR); data can be applied externally or passed through from the serial video receiver

## VIDEO ENCODER

The ADV8005 features a high speed digital-to-analog video encoder. Six 12-bit NSV, 3.3 V video DACs provide support for worldwide composite (CVBS), S-Video (Y/C), and component (YPrPb/RGB) analog outputs in SD, ED, or HD video formats. It is also possible to enable the video encoder of the ADV8005 to work in simultaneous modes where both SD and ED/HD

formats are output. Rovi (ADV8005KBCZ-8A) and non-Rovi (ADV8005KBCZ-8N) variants of the ADV8005 are available.

Encoder features include the following:

- Six 12-bit NSV video DACs capable of outputting video standards of up to 1080p with additional oversampling
- Multiformat video output support; composite (CVBS), S-Video (Y/C), component YPrPb (SD, ED and HD), and component RGB (SD, ED and HD)

- Simultaneous SD and ED/HD operation
- Copy generation management system (CGMS)
- Closed captioning and widescreen signaling (WSS)
- Rovi Rev. 7.1.L1 (SD) and Rev. 1.4 (ED) compliant

**TYPICAL APPLICATION DIAGRAM**

See Figure 35 for an example of a typical application diagram.

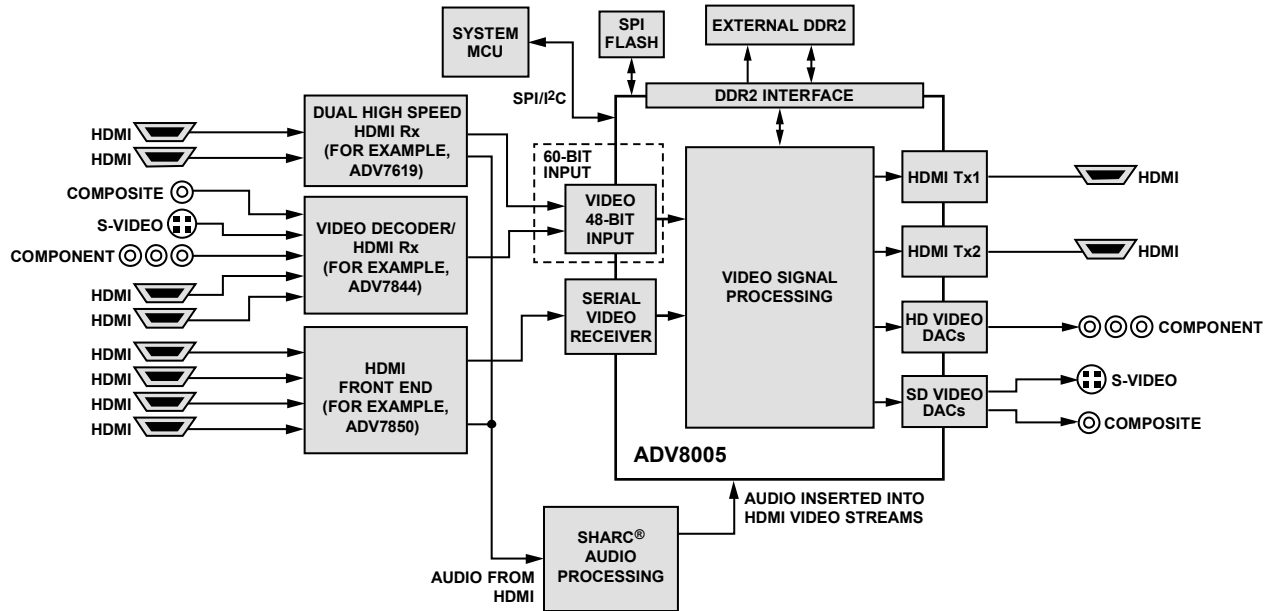


Figure 35. System Block Diagram

12074-058

## DESIGN CONSIDERATIONS

### POWER-UP SEQUENCE

The power-up sequence of the [ADV8005](#) is as follows:

1. Hold the `RESET` and `PDN` pins low.
2. Power up the 3.3 V supplies (`DVDD_IO`, `AVDD1`, `AVDD2`).
3. A minimum delay of 20 ms is required from the point at which the 3.3 V reaches its minimum recommended value (that is, 3.14 V) before powering up the 1.8 V supplies.
4. Power up the 1.8 V supplies (`DVDD`, `PVDD1`, `PVDD2`, `PVDD3`, `CVDD1`, `AVDD3`, `AVDD4`, `DVDD_DDR`, `PVDD_DDR`) and the 1.845 V supplies (`PVDD5` and `PVDD6`). Power these up together, that is, with a difference of less than 0.3 V between them.
5. `RESET` can be pulled high after powering up the supplies.
6. A complete reset is recommended after power-up. This can be performed by the system microcontroller.

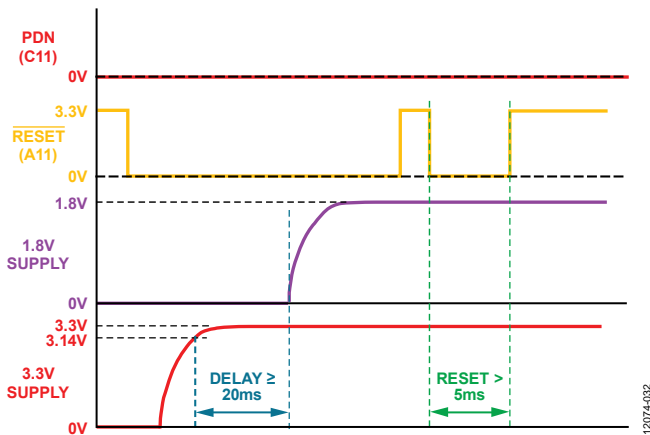


Figure 36. Supply Power-Up Sequence

### THERMAL CONSIDERATIONS

The thermal performance of the [ADV8005](#) is influenced by a number of factors, for example, power dissipation of the [ADV8005](#), printed circuit board (PCB) design, and ambient temperature.

These factors, along with any other application specific factors that may affect the thermal performance of [ADV8005](#), must be considered to ensure that the junction temperature of the [ADV8005](#) does not exceed 125°C.

The flexibility of the [ADV8005](#) can, in theory, result in the device being configured in modes where the junction temperature exceeds the maximum rated specification. To ensure that this does not happen, the [ADV8005](#) must be characterized on the final customer PCB to ensure that the maximum rated specifications are not exceeded in the planned modes of operation. Using fewer internal layers on a PCB reduces the amount of thermal conductivity between the [ADV8005](#) and the PCB itself. This decreased thermal conductivity may necessitate some thermal management effort, or it may affect the modes in which the [ADV8005](#) can be configured.

Calculate thermal conductivity as follows:

1. Configure the [ADV8005](#) in the highest required power mode of operation.
2. Measure the ambient temperature of the enclosure.
3. Measure the case temperature at the top of the [ADV8005](#).

$$T_J = T_C + 5^\circ\text{C}$$

$$T_{J\text{MAX}} = T_{A\text{MAX}} - T_A (\text{actual}) + T_C (\text{actual}) + 5^\circ\text{C}$$

where:

$T_J$  is the junction temperature (inside the [ADV8005](#)).

$T_C$  is the case temperature (top surface of the [ADV8005](#)).

$T_A$  is the ambient temperature (in the locality of the [ADV8005](#)).

Maximum specified  $T_{A\text{MAX}}$  for the [ADV8005](#) is 70°C. Depending on the result of the previous calculations/measurement for the specific system, a lower  $T_{A\text{MAX}}$  limit may need to be specified for that system to ensure that  $T_{J\text{MAX}}$  remains safely below 125°C.

## REGISTER MAP ARCHITECTURE

The registers of the **ADV8005** are controlled via a 2-wire serial (I<sup>2</sup>C-compatible) interface. Addressing in the **ADV8005** is 16-bit with 8-bit data. This means that I<sup>2</sup>C writes to the device are in the following format: <I<sup>2</sup>C Address>, <Address MSBs>, <Address LSBs>, <Data>.

For example, to write 0xFF to the encoder register map, which is Register 0xE4AF, the bytes sent over the I<sup>2</sup>C interface are: 0x1A, 0xE4, 0xAF, 0xFF. The addresses are outlined in Table 8. Figure 37 shows the register map architecture for the **ADV8005**.

The **ADV8005** also has a number of SPI register maps used for OSD functions. These are accessed through the APIs defined in the Blimp software tool.

**Table 8. I<sup>2</sup>C Address and Register Address Ranges**

Register Map Name	I <sup>2</sup> C Address	Register Address
IO Map	0x1A (when the ALSB pin is set high) or 0x18 (when the ALSB pin is set low)	0x1A00 to 0x1BFF
Primary VSP Map 1		0xE800 to 0xE8FF
Primary VSP Map 2		0xE900 to 0xE9FF
Secondary VSP Map		0xE600 to 0xE6FF
DPLL Map		0xE000 to 0xE0FF
Rx Main Map		0xE200 to 0xE2FF
Rx InfoFrame Map		0xE300 to 0xE3FF
Encoder Map		0xE400 to 0xE4FF
Tx1 Main Map		0xEC00 to 0xECFF
Tx1 EDID Map		0xEE00 to 0xEEFF
Tx1 UDP Map		0xF200 to 0xF2FF
Tx1 Test Map		0xF300 to 0xF3FF
Tx2 Main Map		0xF400 to 0xF4FF
Tx2 EDID Map		0xF600 to 0xF6FF
Tx2 UDP Map		0xFA00 to 0xFAFF
Tx2 Test Map		0xFB00 to 0xFBFF

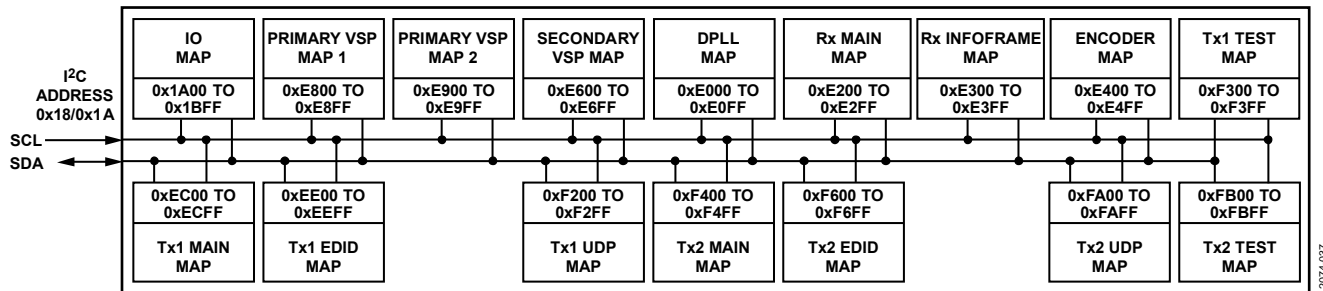
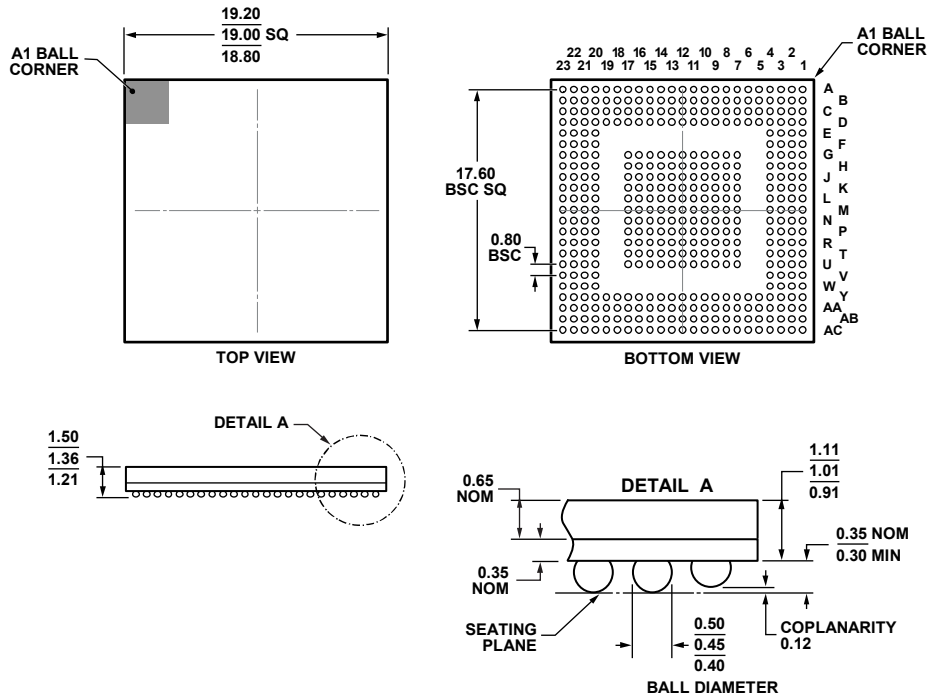


Figure 37. Register Map Architecture

12074-037

OUTLINE DIMENSIONS



COMPLIANT TO JEDEC STANDARDS MO-275-PPAB-2.  
 Figure 38. 425-Ball Chip Scale Package Ball Grid Array [CSP\_BGA]  
 (BC-425-1)  
 Dimensions shown in millimeters

11-22-2011-A

Table 9. Features Sets of the ADV8005 Models

Model Number	Maximum Data Rate	Maximum Video Format	HDMI Tx Outputs	Analog Outputs	Rovi Output	VSP	OSD	TTL Output
ADV8005KBCZ-8A <sup>1</sup>	3 Gbps	4k × 2k at 30 Hz (8-bit)	2	Six 12-bit DACs	Yes	Yes	Yes	Yes
ADV8005KBCZ-8N	3 Gbps	4k × 2k at 30 Hz (8-bit)	2	Six 12-bit DACs	No	Yes	Yes	Yes
ADV8005KBCZ-8B	3 Gbps	4k × 2k at 30 Hz (8-bit)	1	No	No	Yes	Yes	No
ADV8005KBCZ-8C	3 Gbps	4k × 2k at 30 Hz (8-bit)	2	No	No	Yes	Yes	No

<sup>1</sup> Rovi enabled ICs require the buyer to be an approved licensee (authorized buyer) of ICs that are capable of outputting Rovi compliant video. The ADV8005KBCZ-8A incorporates copy protection technology that is protected by U.S. patents and other intellectual property rights of Rovi Corporation. Reverse engineering and disassembly are prohibited.

ORDERING GUIDE

Model <sup>1,2</sup>	Temperature Range	Package Description	Package Option
ADV8005KBCZ-8A	0°C to 70°C	425-Ball Chip Scale Package Ball Grid Array [CSP_BGA]	BC-425-1
ADV8005KBCZ-8A-RL	0°C to 70°C	425-Ball Chip Scale Package Ball Grid Array [CSP_BGA]	BC-425-1
ADV8005KBCZ-8N	0°C to 70°C	425-Ball Chip Scale Package Ball Grid Array [CSP_BGA]	BC-425-1
ADV8005KBCZ-8N-RL	0°C to 70°C	425-Ball Chip Scale Package Ball Grid Array [CSP_BGA]	BC-425-1
ADV8005KBCZ-8B	0°C to 70°C	425-Ball Chip Scale Package Ball Grid Array [CSP_BGA]	BC-425-1
ADV8005KBCZ-8B-RL	0°C to 70°C	425-Ball Chip Scale Package Ball Grid Array [CSP_BGA]	BC-425-1
ADV8005KBCZ-8C	0°C to 70°C	425-Ball Chip Scale Package Ball Grid Array [CSP_BGA]	BC-425-1
ADV8005KBCZ-8C-RL	0°C to 70°C	425-Ball Chip Scale Package Ball Grid Array [CSP_BGA]	BC-425-1
EVAL-ADV8005-SMZ		Evaluation Board	

<sup>1</sup> Z = RoHS Compliant Part.

<sup>2</sup> The -RL versions are supplied on 13" reels. The non-RL versions are supplied on trays.

**NOTES**

**NOTES**

I<sup>2</sup>C refers to a communications protocol originally developed by Philips Semiconductors (now NXP Semiconductors).

## Looking for pricing, stock, or lifecycle information?

Click below to explore more details on WIN SOURCE:

 [View ADV8005KBCZ-8C on WIN SOURCE](#)

 [Analog Devices Inc. Information](#)

## Optimize Your Supply Chain with WIN SOURCE Solutions

-  Global Sourcing Solution
-  Obsolete Management
-  Cost Control Management
-  Shortage Management
-  Alternative Solution
-  Excess Inventory Management