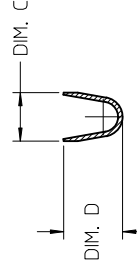
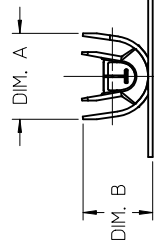
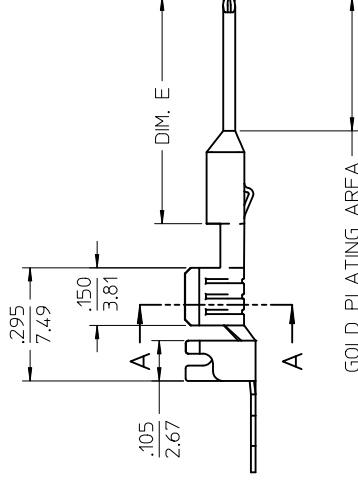
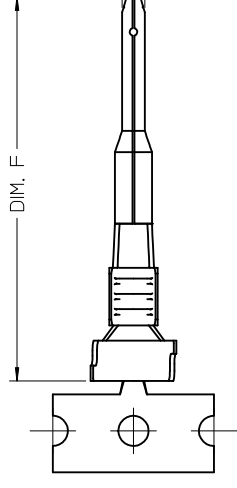




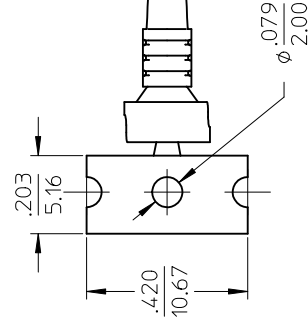
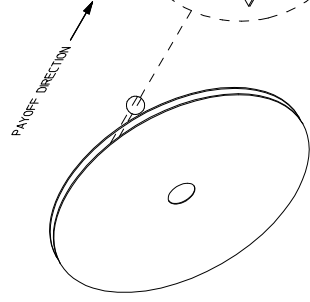
**THE DATASHEET OF**  
**194170024**



13	12	11	10	9	8	7	6	5	4	
J	I	H	G	F	E	D	C	B	A	
STRIP MATERIAL NUMBER	LOOSE PIECE MATERIAL NUMBER	AWG SIZE	FINISH		DIM. "A"	DIM. "B"	DIM. "C"	DIM. "D"	DIM. "E"	DIM. "F"
19470011	19470047	16-14	PREPLATED TIN 75µ MIN. THICK OVER NICKEL FLASH		.230/5.84	.182/4.62	.141/3.58	.155/3.94	.591/15.00	1.000/25.40
19470024	19470048	22-18			.181/4.60	.143/3.63	.108/2.74	.112/2.84	.591/15.00	1.000/25.40
19470025	19470049	16-14	SELECT HARD GOLD 30µ MIN. THICK WITH SELECT TIN 100µ MIN. THICK OVER NICKEL 50µ MIN. THICK OVERALL		.230/5.84	.182/4.62	.141/3.58	.155/3.94	.591/15.00	1.000/25.40
19470026	19470050	22-18			.181/4.60	.143/3.63	.108/2.74	.112/2.84	.591/15.00	1.000/25.40
19470027	19470051	16-14	PREPLATED TIN 75µ MIN. THICK OVER NICKEL FLASH		.230/5.84	.182/4.62	.141/3.58	.155/3.94	.621/15.77	1.030/26.16
19470028	19470052	22-18			.181/4.60	.143/3.63	.108/2.74	.112/2.84	.621/15.77	1.030/26.16
19470029	19470053	16-14	SELECT HARD GOLD 30µ MIN. THICK WITH SELECT TIN 100µ MIN. THICK OVER NICKEL 50µ MIN. THICK OVERALL		.230/5.84	.182/4.62	.141/3.58	.155/3.94	.621/15.77	1.030/26.16
19470030	19470054	22-18			.181/4.60	.143/3.63	.108/2.74	.112/2.84	.621/15.77	1.030/26.16



SECTION A-A



NOTES:

1. MATERIAL: COPPER ALLOY .012/0.30 THK.
2. FINISH: SEE CHART
3. TERMINAL FOR USE WITH 19479-\*\*\*\* PLUG HOUSING ASSEMBLY.
4. STRIP TERMINALS ARE REELED AS SHOWN ABOVE ON 24" REELS. 4000 PARTS PER REEL.
5. LOOSE TERMINALS ARE BULK PACKAGED IN QUANTITIES OF 400.
6. APPLICATION TOOLING AND CRIMP SPECIFICATIONS: 63865-6000 (14-16 AWG), 63865-6100 (18-22 AWG), 63811-3900 (HAND TOOL).

QUALITY SYMBOLS	GENERAL TOLERANCES (UNLESS SPECIFIED)	DIMENSION STYLE IN/MM
▷=0	4 PLACES ± .010	DRAWN BY JPAMLCK DATE 05/05/03
▽=0	3 PLACES ± .010	CHECKED BY JPAMLCK DATE 05/05/02
	2 PLACES ± 0.25	APPROVED BY RDEROSS DATE 05/05/03
	1 PLACE ± 0.5	MATERIAL NO. SEE CHART
	ANGULAR ± 3 °	SIZE THIS DRAWING CONTAINED AND SH
	DRAFT WHERE APPLICABLE MUST REMAIN WITHIN DIMENSIONS	

## Looking for pricing, stock, or lifecycle information?

Click below to explore more details on WIN SOURCE:

 [View 194170024 on WIN SOURCE](#)

 [Molex, LLC Information](#)

## Optimize Your Supply Chain with WIN SOURCE Solutions

-  Global Sourcing Solution
-  Obsolete Management
-  Cost Control Management
-  Shortage Management
-  Alternative Solution
-  Excess Inventory Management