



**THE DATASHEET OF  
AZ5123-01H**



## Features

- ESD Protection for 1 Line with Bi-directional.
- Provide ESD protection for the protected line to IEC 61000-4-2 (ESD)  $\pm 16\text{kV}$  (air),  $\pm 16\text{kV}$  (contact)  
IEC 61000-4-4 (EFT) 50A (5/50ns)  
IEC 61000-4-5 (Lightning) 4.5A (8/20 $\mu\text{s}$ )  
Cable Discharge Event (CDE)
- Ultra-small SOD-523 package saves board space.
- Protect one I/O line or one power line
- Fast turn-on and Low clamping voltage
- For low operating voltage applications: 3.3V maximum
- Solid-state silicon-avalanche and active circuit triggering technology
- Green Part

## Applications

- Computer Interfaces Protection
- Microprocessors Protection
- Serial and Parallel Ports Protection
- Control Signal Lines Protection
- Power lines on PCB Protection
- Latchup Protection

## Description

AZ5123-01H is a design which includes a bi-directional surge rated clamping cell to protect one power line, or one control line, or one low speed data line in an electronic systems. The AZ5123-01H has been specifically designed to protect sensitive components which are connected to power and control lines from over-voltage damage and latch-up caused by Electrostatic Discharging (ESD), Electrical Fast Transients (EFT), Lightning, and Cable Discharge Event (CDE).

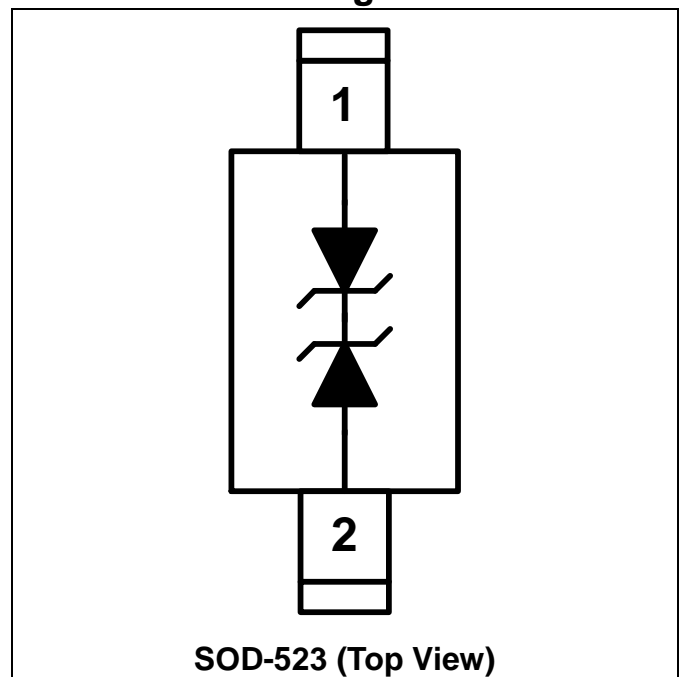
AZ5123-01H is a unique design which includes

proprietary clamping cells in a single package. During transient conditions, the proprietary clamping cells prevent over-voltage on the power line or control/data lines, protecting any downstream components.

AZ5123-01H is bi-directional and may be used on lines where the signal swings above and below ground.

AZ5123-01H may be used to meet the ESD immunity requirements of IEC 61000-4-2, Level 4 ( $\pm 15\text{kV}$  air,  $\pm 8\text{kV}$  contact discharge).

## Circuit Diagram / Pin Configuration





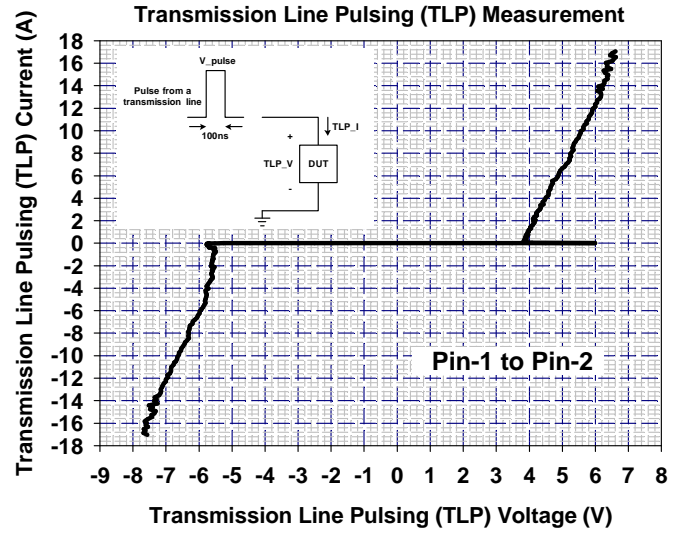
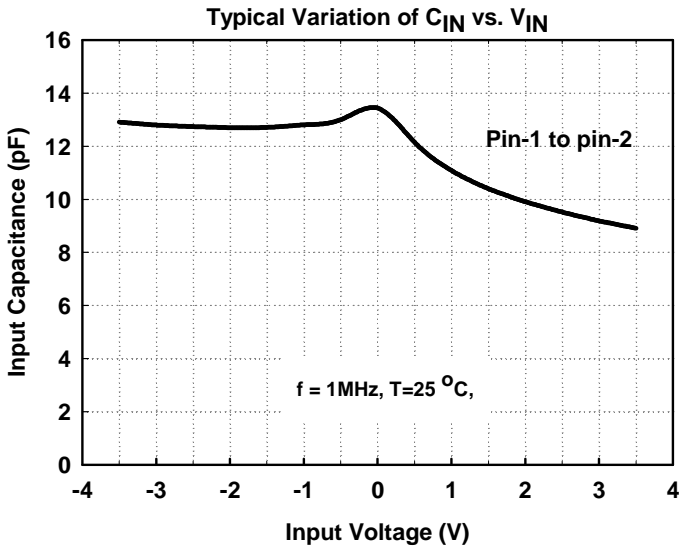
## SPECIFICATIONS

ABSOLUTE MAXIMUM RATINGS			
PARAMETER	PARAMETER	RATING	UNITS
Peak Pulse Current (tp =8/20us)	I <sub>PP</sub>	4.5	A
Operating Supply Voltage	V <sub>DC</sub>	±3.8	V
ESD per IEC 61000-4-2 (Air)	V <sub>ESD</sub>	±16	kV
ESD per IEC 61000-4-2 (Contact)		±16	
Lead Soldering Temperature	T <sub>SOL</sub>	260 (10 sec.)	°C
Operating Temperature	T <sub>OP</sub>	-55 to +85	°C
Storage Temperature	T <sub>STO</sub>	-55 to +150	°C

ELECTRICAL CHARACTERISTICS						
PARAMETER	SYMBOL	CONDITIONS	MINI	TYP	MAX	UNITS
Reverse Stand-Off Voltage	V <sub>RWM</sub>	T=25 °C.	-3.3		3.3	V
Reverse Leakage Current	I <sub>Leak</sub>	V <sub>RWM</sub> = ±3.3V, T=25 °C.			1	μA
Reverse Breakdown Voltage	V <sub>BV</sub>	I <sub>BV</sub> = 1mA, T=25 °C.	4		6.5	V
ESD Clamping Voltage	V <sub>ESD_CL</sub>	IEC 61000-4-2 +6kV, T=25 °C, Contact mode.		7.5		V
Channel Input Capacitance	C <sub>IN</sub>	V <sub>R</sub> = 0V, f = 1MHz, T=25 °C.		13.5	16.5	pF



## Typical Characteristics





## Applications Information

The AZ5123-01H is designed to protect one line against System ESD/EFT/Lightning pulses by clamping them to an acceptable reference. It provides bi-directional protection.

The usage of the AZ5123-01H is shown in Fig. 1. Protected line, such as data lines, control lines, or power lines, is connected at pin 1. The pin 2 is connected to a ground plane on the board. Since AZ5123-01H is bi-directional, these connections can be reversed (protected line to pin 2, ground to pin 1). In order to minimize parasitic inductance in the board traces, all path lengths connected to the pins of AZ5123-01H should be kept as short as possible.

In order to obtain enough suppression of ESD induced transient, good circuit board is critical.

Thus, the following guidelines are recommended:

- Minimize the path length between the protected lines and the AZ5123-01H.
- Place the AZ5123-01H near the input terminals or connectors to restrict transient coupling.
- The ESD current return path to ground should be kept as short as possible.
- Use ground planes whenever possible.
- NEVER route critical signals near board edges and near the lines which the ESD transient easily injects to.

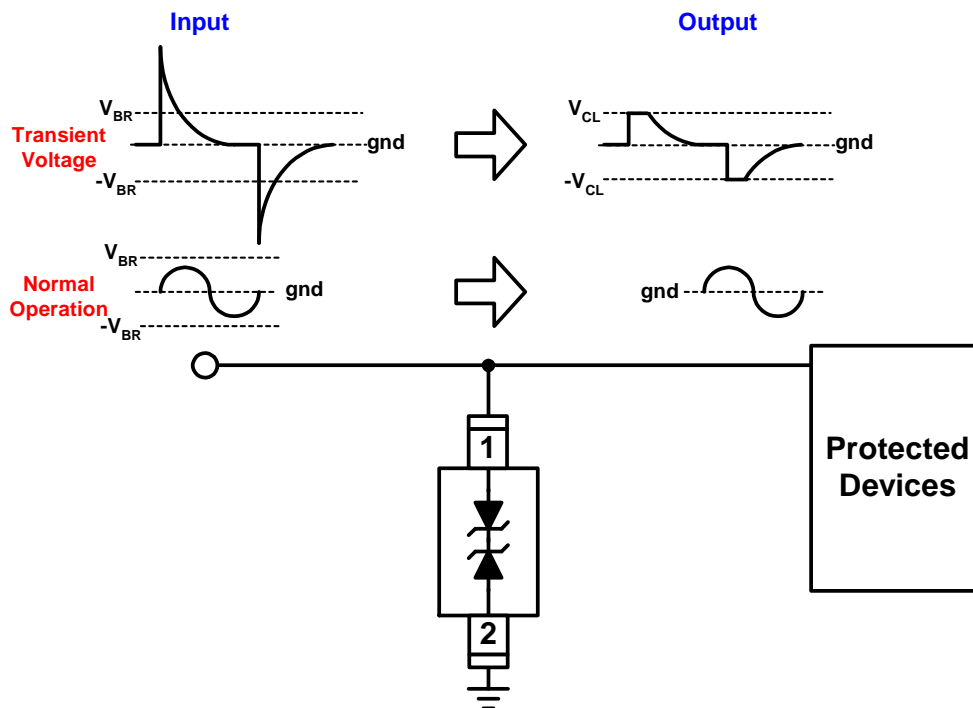
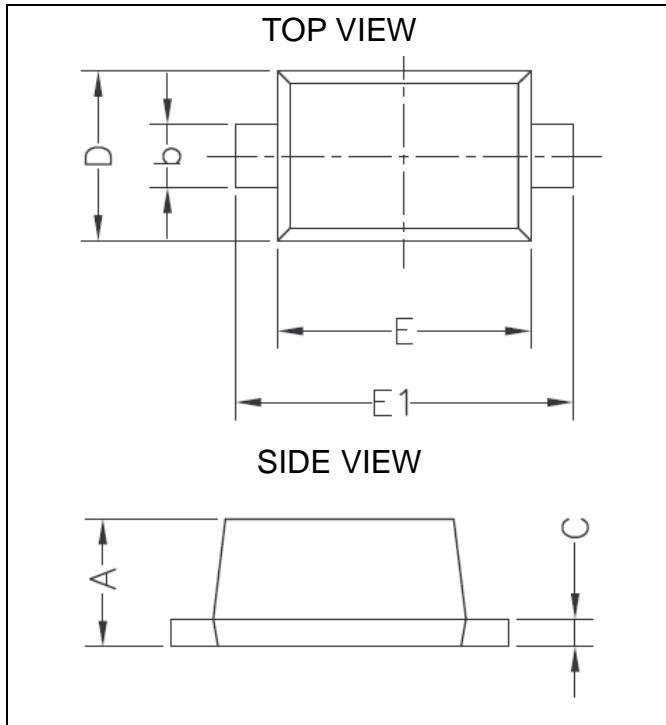


Fig. 1

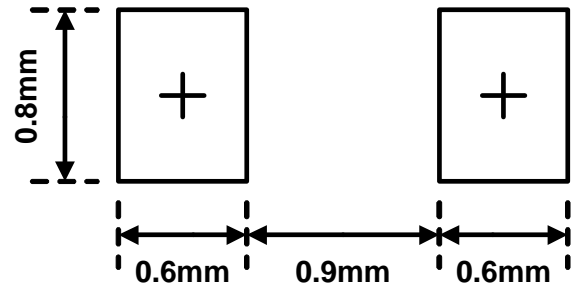
## Mechanical Details

SOD-523

### PACKAGE DIAGRAMS



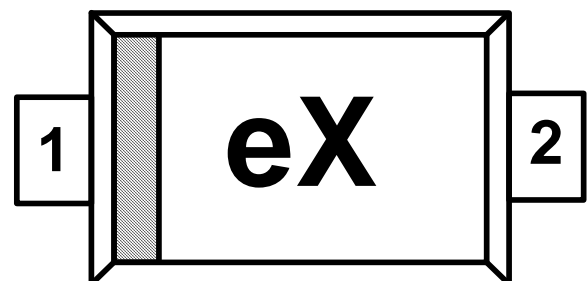
### LAND LAYOUT



#### Notes:

This LAND LAYOUT is for reference purposes only. Please consult your manufacturing partners to ensure your company's PCB design guidelines are met.

### MARKING CODE



e = Device Code  
X = Date Code

### PACKAGE DIMENSIONS

Symbol	Millimeters		Inches	
	MIN.	MAX.	MIN.	MAX.
A	0.5	0.77	0.020	0.030
b	0.25	0.35	0.010	0.014
C	0.08	0.2	0.003	0.008
D	0.7	0.9	0.028	0.035
E	1.1	1.3	0.043	0.051
E1	1.5	1.7	0.059	0.067

Part Number	Marking Code
AZ5123-01H	eX

## Ordering Information

PN#	Material	Type	Reel size	MOQ/interal box	MOQ/carton
AZ5123-01H.R7G	Green	T/R	7 inch	4 reel=12,000/box	6 box=72,000/carton



## Revision History

Revision	Modification Description
Revision 2009/04/22	Preliminary Release.
Revision 2009/07/20	Formal Release.
Revision 2009/07/27	Update the PACKAGE DIMENSIONS.
Revision 2011/06/24	1. Update the Company Logo. 2. Add the Ordering Information.
Revision 2011/07/06	Correct the typo "b" at the PACKAGE DIMENSIONS.
Revision 2012/08/14	Update the ESD level from 15KV to 16KV.

## Looking for pricing, stock, or lifecycle information?

Click below to explore more details on WIN SOURCE:

 [View AZ5123-01H on WIN SOURCE](#)

 [Amazing Information](#)

## Optimize Your Supply Chain with WIN SOURCE Solutions

-  Global Sourcing Solution
-  Obsolete Management
-  Cost Control Management
-  Shortage Management
-  Alternative Solution
-  Excess Inventory Management