



**THE DATASHEET OF  
AZ432BNTR-E1**



OBSOLETE - PART DISCONTINUED

## Description

The DIODES™ AZ432 series ICs are low voltage three-terminal adjustable regulators with guaranteed thermal stability over a full operation range. These ICs feature sharp turn-on characteristics, low temperature coefficient and low output impedance, which make them ideal substitutes for Zener diodes in applications such as switching power supply, charger, motherboard and other adjustable regulators.

The output voltage can be set to any value between 1.25V and 18V with two external resistors.

The AZ432 precision reference is offered in two voltage tolerance: 0.5% and 1.0%.

These ICs are available in 4 packages: TO-92 (bulk or ammo packing), SOT-23, SOT-23-5 and SOT-89.

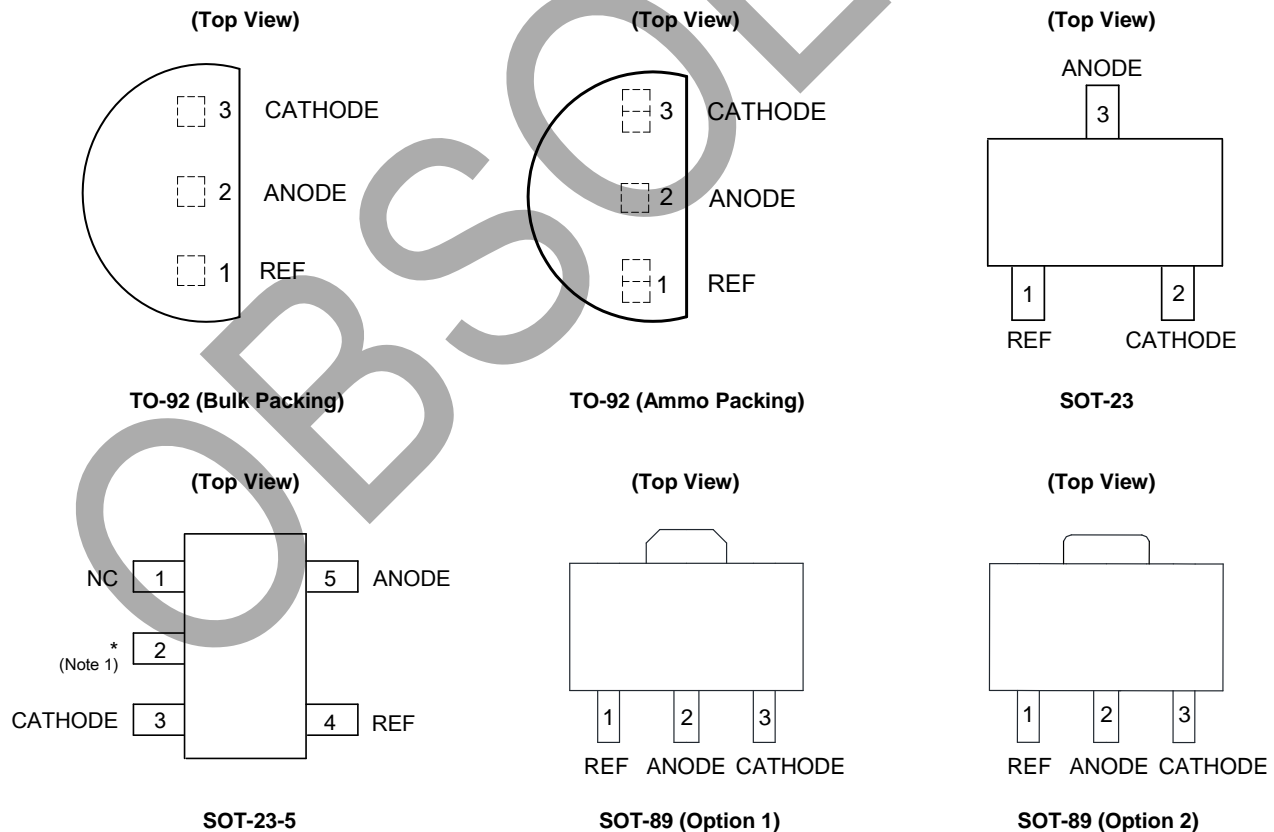
## Features

- Wide Programmable Precise Output Voltage from 1.25V to 18V
- High Stability under Capacitive Load
- Low Temperature Deviation: 3mV Typical
- Low Equivalent Full-Range Temperature Coefficient: 20PPM/°C Typical
- Low Dynamic Output Resistance: 0.05Ω Typical
- High Sink Current Capacity from 0.1mA to 100mA
- Low Output Noise
- Wide Operating Range of -40 to +125°C
- **For automotive applications requiring specific change control (i.e. parts qualified to AEC-Q100/101/104/200, PPAP capable, and manufactured in IATF 16949 certified facilities), please [contact us](#) or your local Diodes representative. <https://www.diodes.com/quality/product-definitions/>**

## Applications

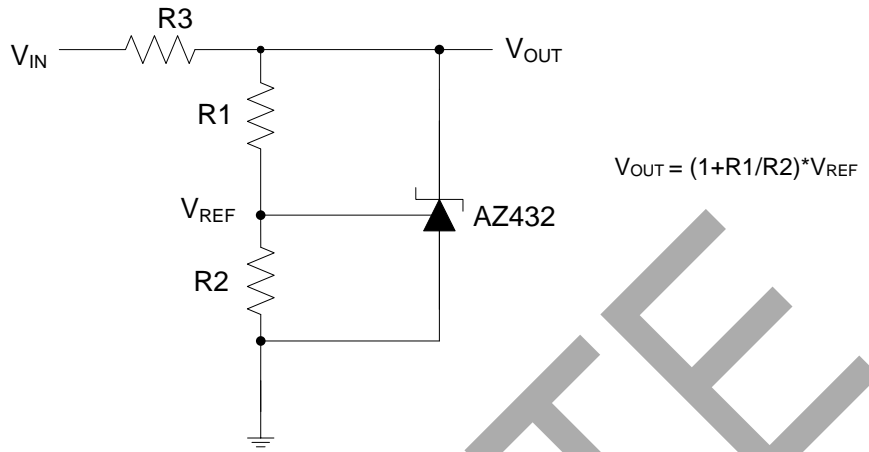
- Graphic cards
- PC motherboards
- Voltage adapters
- Switching power supplies
- Chargers

## Pin Assignments

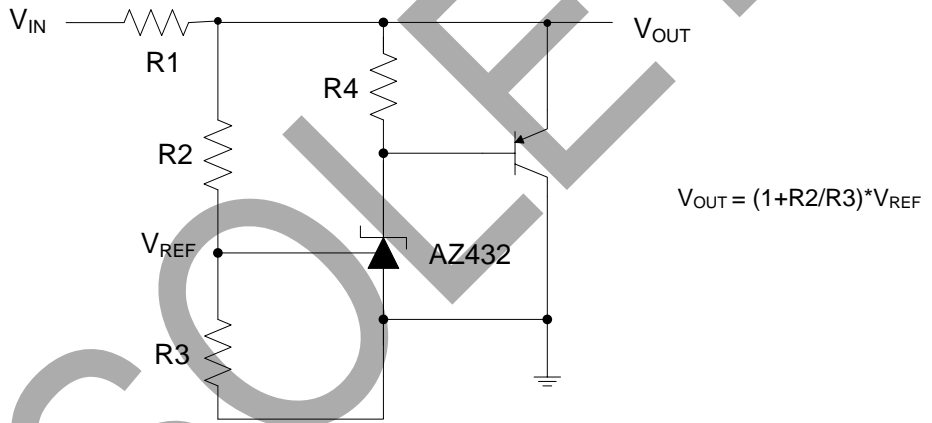


Note: 1. Pin 2 is attached to substrate and must be connected to ANODE or open.

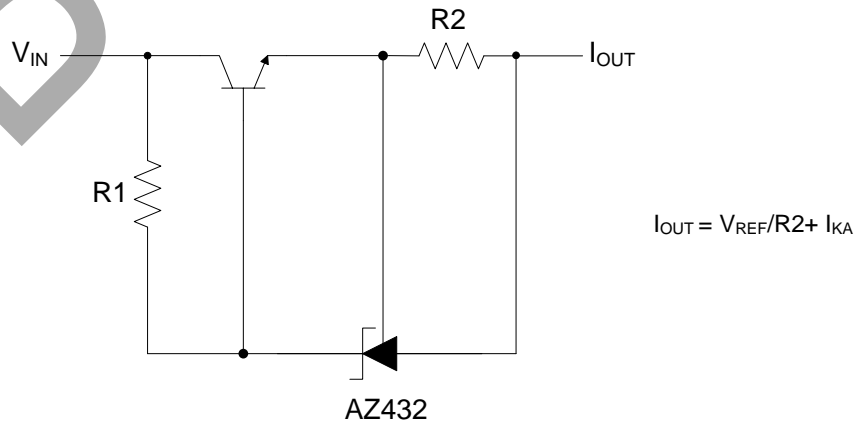
**Typical Applications Circuit**



Shunt Regulator



High Current Shunt Regulator

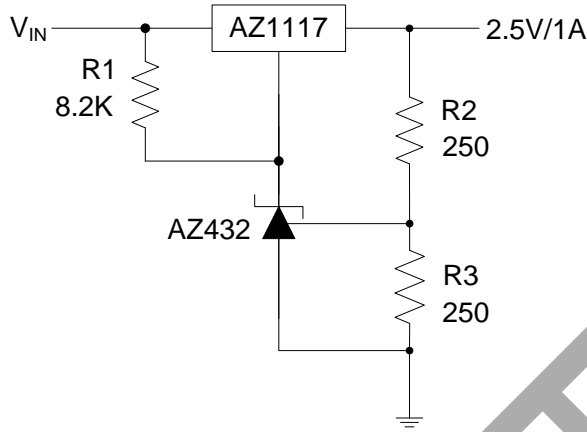


Current Source or Current Limit

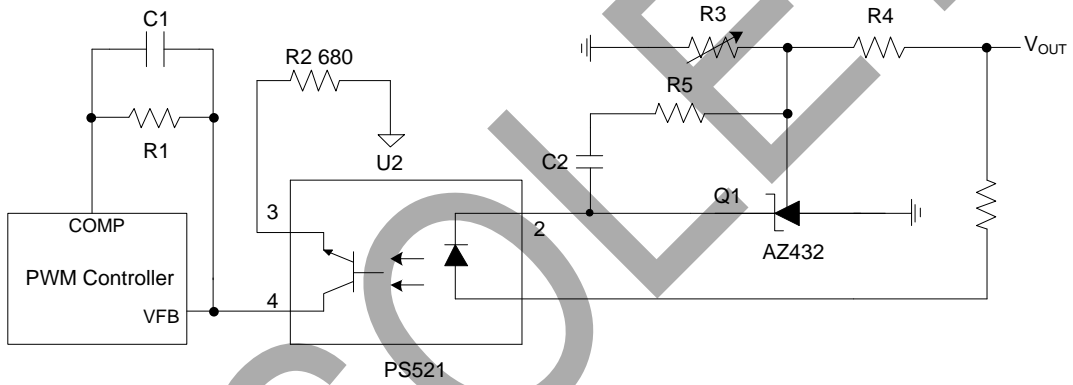
OBSOLETE - PART DISCONTINUED

OBSOLETE

**Typical Applications Circuit** (continued)



Precision 2.5V/1A Regulator

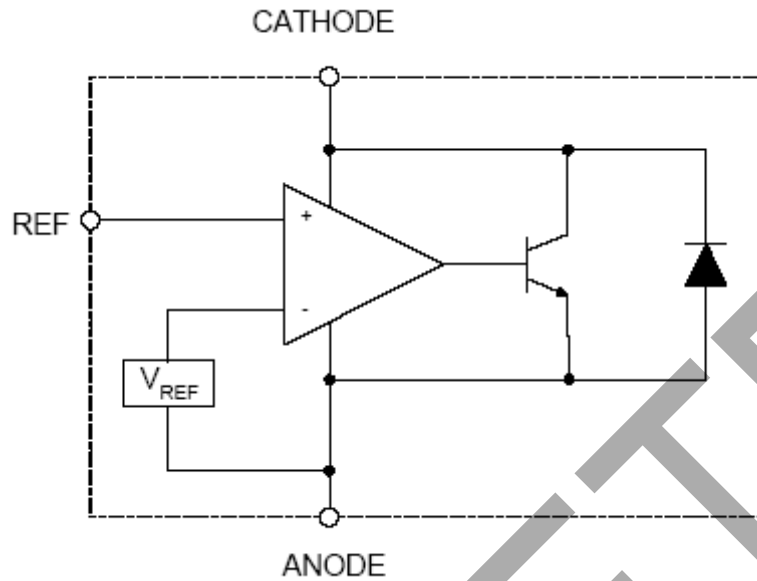


PWM Converter with Reference

OBSELETE - PART DISCONTINUED

OBSELETE

**Functional Block Diagram**



**Absolute Maximum Ratings** (Note 2)

Symbol	Parameter	Rating		Unit
$V_{KA}$	Cathode Voltage	20		V
$I_{KA}$	Cathode Current Range (Continuous)	-100 to 100		mA
$I_{REF}$	Reference Input Current Range	10		mA
$P_D$	Power Dissipation	Z, R Package	770	mW
		N, K Package	370	
$T_J$	Junction Temperature	+150		°C
$T_{STG}$	Storage Temperature Range	-65 to +150		°C

Note: 2. Stresses greater than those listed under "Absolute Maximum Ratings" may cause permanent damage to the device. These are stress ratings only, and functional operation of the device at these or any other conditions beyond those indicated under "Recommended Operating Conditions" is not implied. Exposure to "Absolute Maximum Ratings" for extended periods may affect device reliability.

**Recommended Operating Conditions**

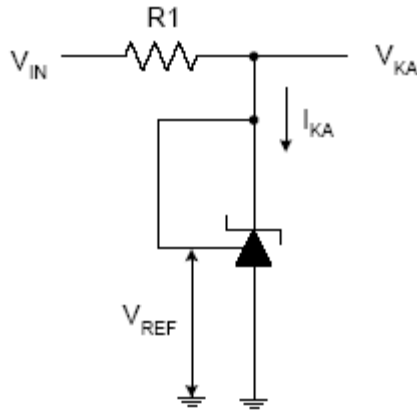
Symbol	Parameter	Min	Max	Unit
$V_{KA}$	Cathode Voltage	$V_{REF}$	18	V
$I_{KA}$	Cathode Current	0.1	100	mA
—	Operating Ambient Temperature Range	-40	+125	°C

**Electrical Characteristics** (Typical and limits apply for  $T_A = +25^\circ\text{C}$ , unless otherwise noted.)

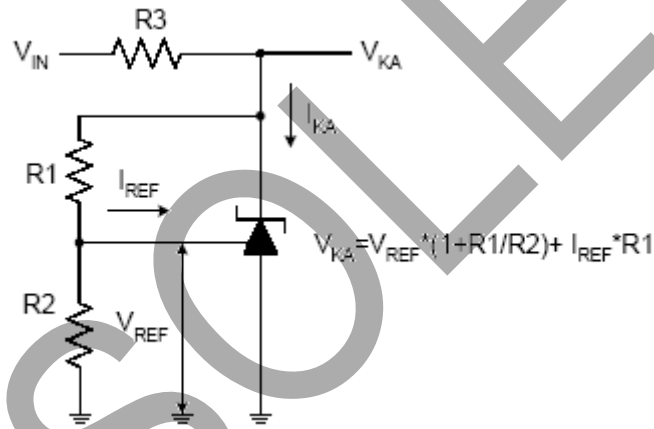
Symbol	Parameter	Test Circuit	Conditions	Min	Typ	Max	Unit	
$V_{REF}$	Reference Voltage	4	$V_{KA} = V_{REF}, I_{KA} = 10\text{mA}$	0.5%	1.244	1.250	1.256	V
				1.0%	1.238	1.250	1.262	
$\Delta V_{REF}$	Deviation of Reference Voltage Over Full Temperature Range	4	$V_{KA} = V_{REF}$ $I_{KA} = 10\text{mA}$	0 to $+70^\circ\text{C}$	—	2	10	mV
				-40 to $+85^\circ\text{C}$	—	3	10	
				-40 to $+125^\circ\text{C}$	—	4	15	
$\frac{\Delta V_{REF}}{\Delta V_{KA}}$	Ratio of Change in $V_{REF}$ to the Change in Cathode Voltage	5	$I_{KA} = 10\text{mA}$ , $\Delta V_{KA}: V_{REF} \text{ to } 16\text{V}$	—	-0.5	-1.5	mV/V	
$I_{REF}$	Reference Input Current	5	$I_{KA} = 10\text{mA}, R_1 = 10\text{k}\Omega, R_2 = \infty$	—	0.15	0.4	$\mu\text{A}$	
$\Delta I_{REF}$	Deviation of Reference Current Over Full Temperature Range	5	$I_{KA} = 10\text{mA}, R_1 = 10\text{k}\Omega, R_2 = \infty$ $T_A = -40 \text{ to } +125^\circ\text{C}$	—	0.1	0.4	$\mu\text{A}$	
$I_{KA}$ (Min)	Minimum Cathode Current for Regulation	4	$V_{KA} = V_{REF}$	—	55	80	$\mu\text{A}$	
$I_{KA}$ (Off)	Off-State Cathode Current	6	$V_{REF} = 0, V_{KA} = 18\text{V}$	—	0.04	0.10	$\mu\text{A}$	
			$V_{KA} = 6\text{V}, V_{REF} = 0$	—	0.01	0.05		
$Z_{KA}$	Dynamic Impedance	4	$V_{KA} = V_{REF}, I_{KA} = 1 \text{ to } 100\text{mA}$ $f \leq 1.0\text{kHz}$	—	0.05	0.15	$\Omega$	
$\theta_{JC}$	Thermal Resistance (Junction to Case)	—	SOT-23	—	84.84	—	$^\circ\text{C/W}$	
			SOT-23-5	—	84.84	—		
			TO-92	—	140.80	—		
			SOT-89	—	29.80	—		

**Electrical Characteristics** (continued)

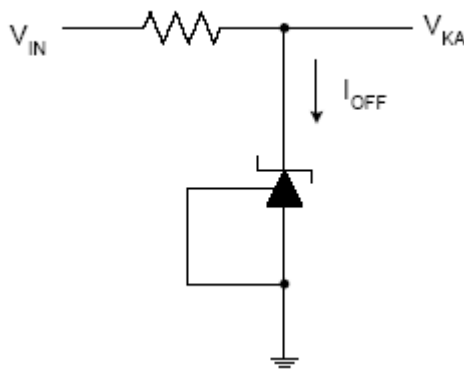
OBSOLETE - PART DISCONTINUED



Test Circuit 4 for  $V_{KA} = V_{REF}$



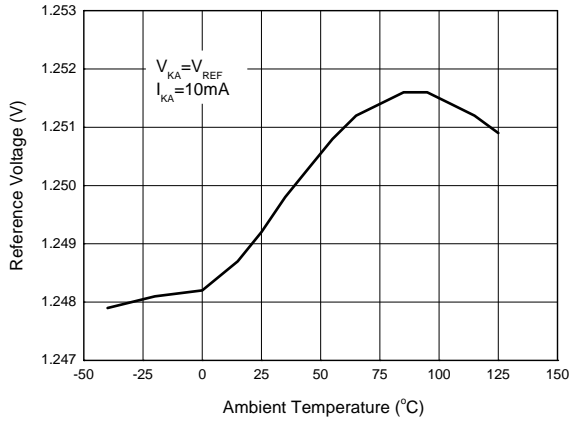
Test Circuit 5 for  $V_{KA} > V_{REF}$



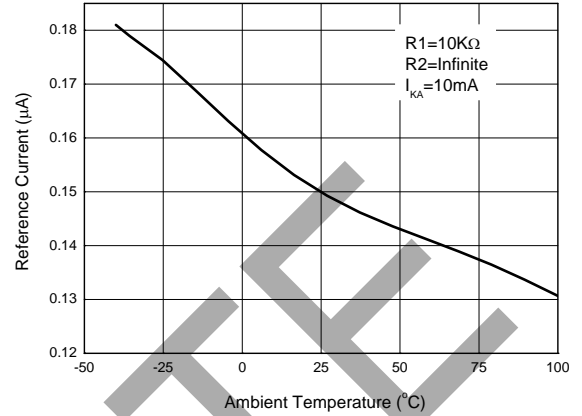
Test Circuit 6 for  $I_{OFF}$

**Performance Characteristics**

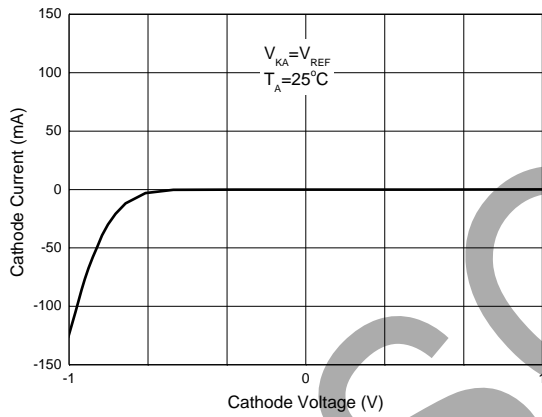
**Reference Voltage vs. Ambient Temperature**



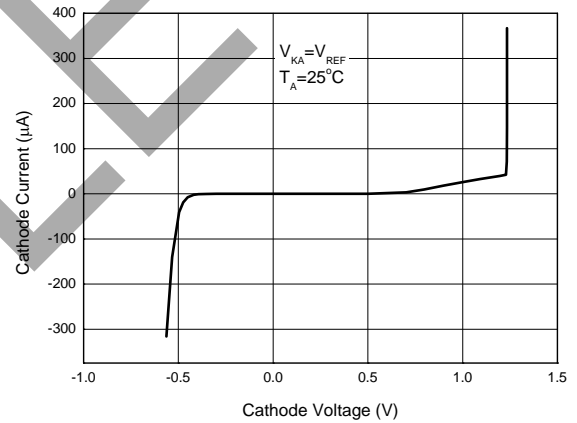
**Reference Current vs. Ambient Temperature**



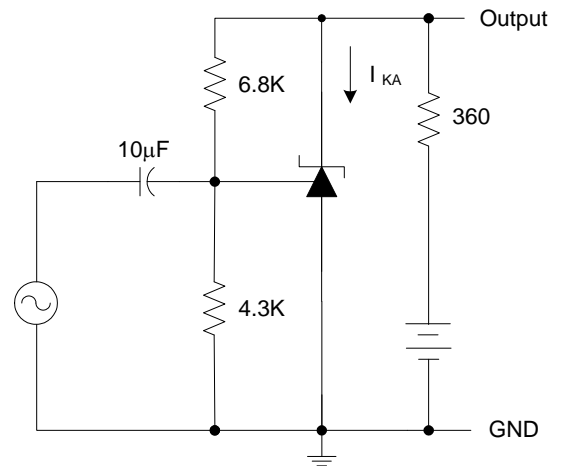
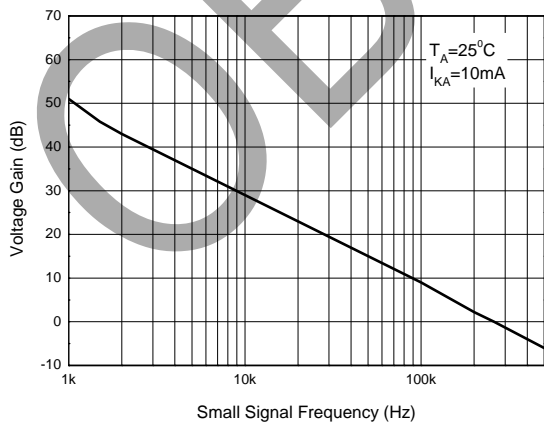
**Cathode Current vs. Cathode Voltage**



**Cathode Current vs. Cathode Voltage**



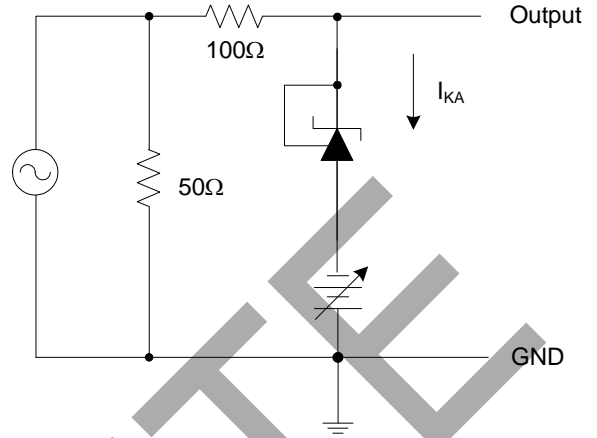
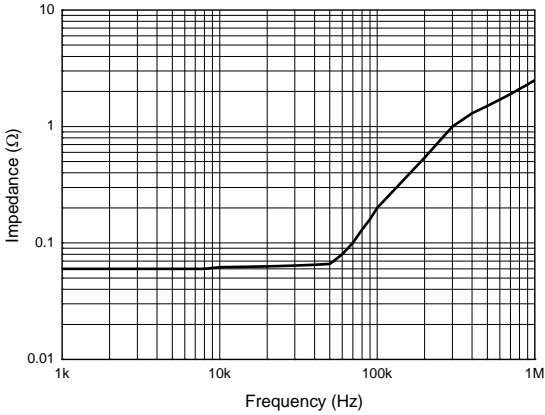
**Small Signal Voltage Gain vs. Frequency**



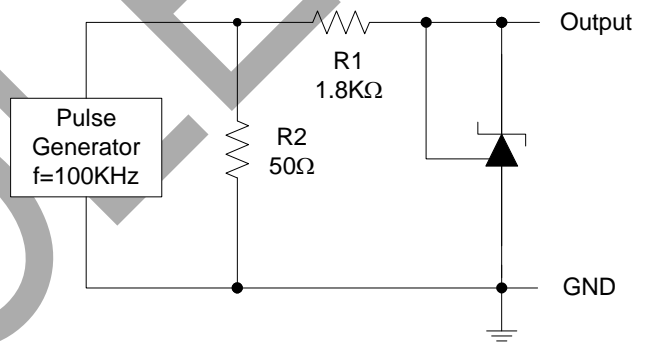
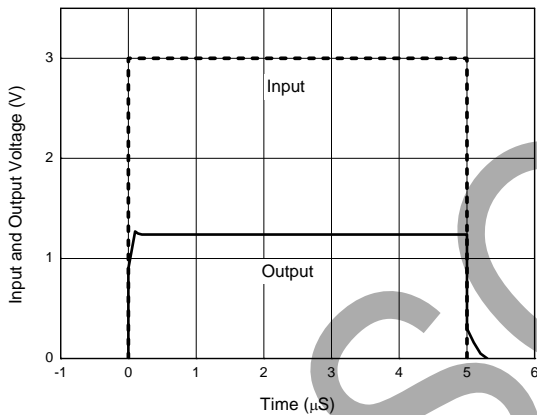
OBSOLETE - PART DISCONTINUED

**Performance Characteristics** (continued)

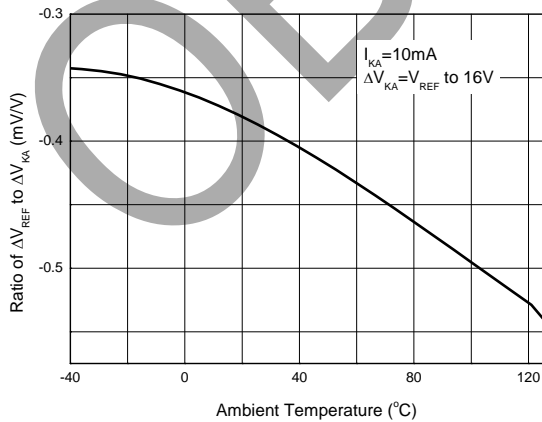
**Dynamic Impedance vs. Frequency**



**Pulse Response of Input and Output Voltage**

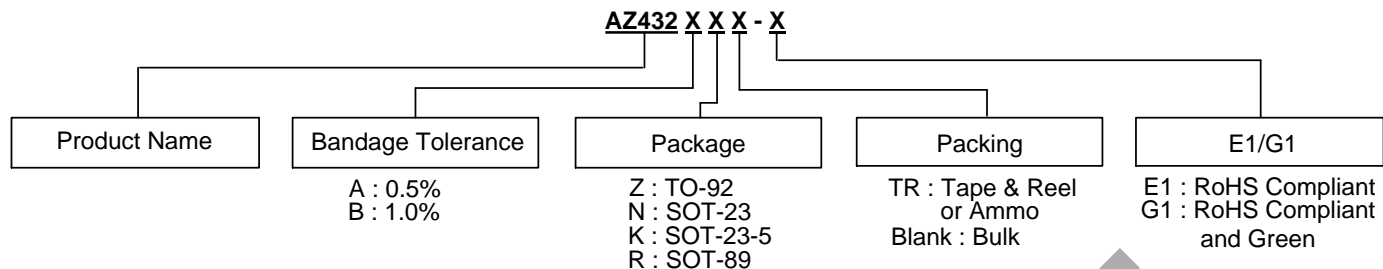


**Ratio of Delta Reference Voltage to the Ratio of Delta Cathode Voltage vs. Ambient Temperature**



OBSOLETE - PART DISCONTINUED

**Ordering Information**



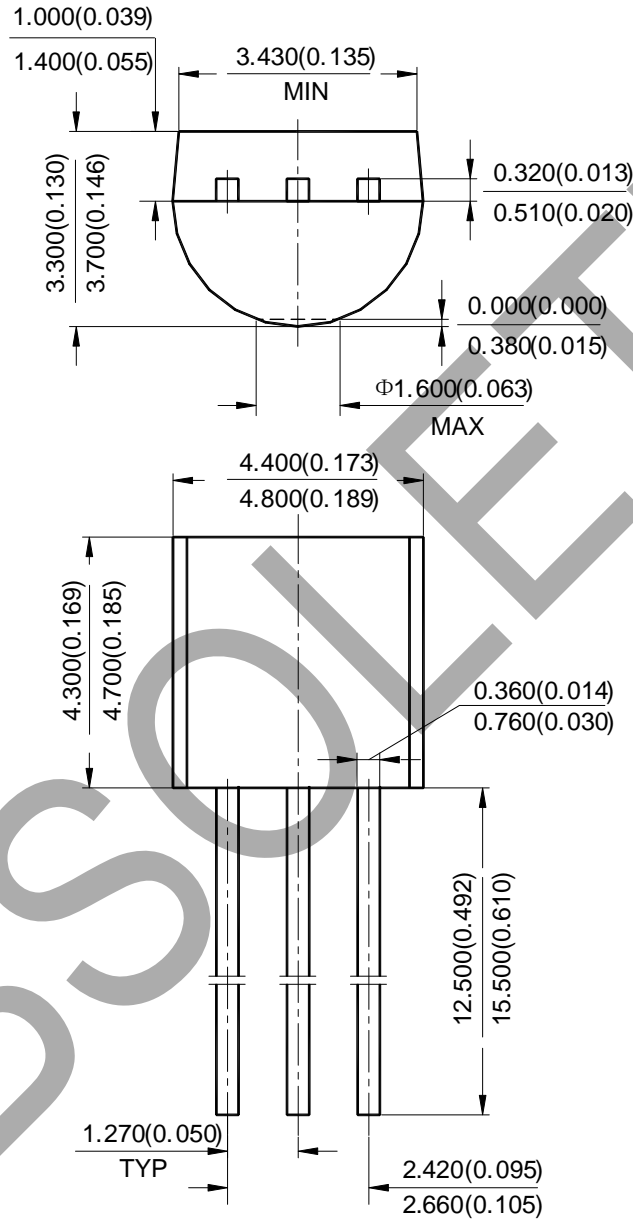
Package	Temperature Range	Voltage Tolerance	Part Number		Marking ID		Packing
			RoHS Compliant	RoHS Compliant and Green	RoHS Compliant	RoHS Compliant and Green	
TO-92	-40 to +125°C	0.5%	AZ432AZ-E1	AZ432AZ-G1	AZ432AZ-E1	AZ432AZ-G1	Bulk
		0.5%	AZ432AZTR-E1	AZ432AZTR-G1	AZ432AZ-E1	AZ432AZ-G1	Ammo
		1.0%	AZ432BZ-E1	AZ432BZ-G1	AZ432BZ-E1	AZ432BZ-G1	Bulk
		1.0%	AZ432BZTR-E1	AZ432BZTR-G1	AZ432BZ-E1	AZ432BZ-G1	Ammo
SOT-23	-40 to +125°C	0.5%	AZ432ANTR-E1	AZ432ANTR-G1	EA8	GA8	Tape & Reel
		1.0%	AZ432BNTR-E1	AZ432BNTR-G1	EA9	GA9	Tape & Reel
SOT-23-5	-40 to +125°C	0.5%	AZ432AKTR-E1	AZ432AKTR-G1	E7A	G7A	Tape & Reel
		1.0%	AZ432BKTR-E1	AZ432BKTR-G1	E8A	G8A	Tape & Reel
SOT-89	-40 to +125°C	0.5%	AZ432ARTR-E1	AZ432ARTR-G1	E42A	G42A	Tape & Reel
		1.0%	AZ432BRTR-E1	AZ432BRTR-G1	E42B	G42B	Tape & Reel

OBSOLETE - PART DISCONTINUED

**Package Outline Dimensions** (All dimensions in mm(inch).)

Please see <http://www.diodes.com/package-outlines.html> for the latest version.

(1) Package Type: TO-92 (Bulk Packing)



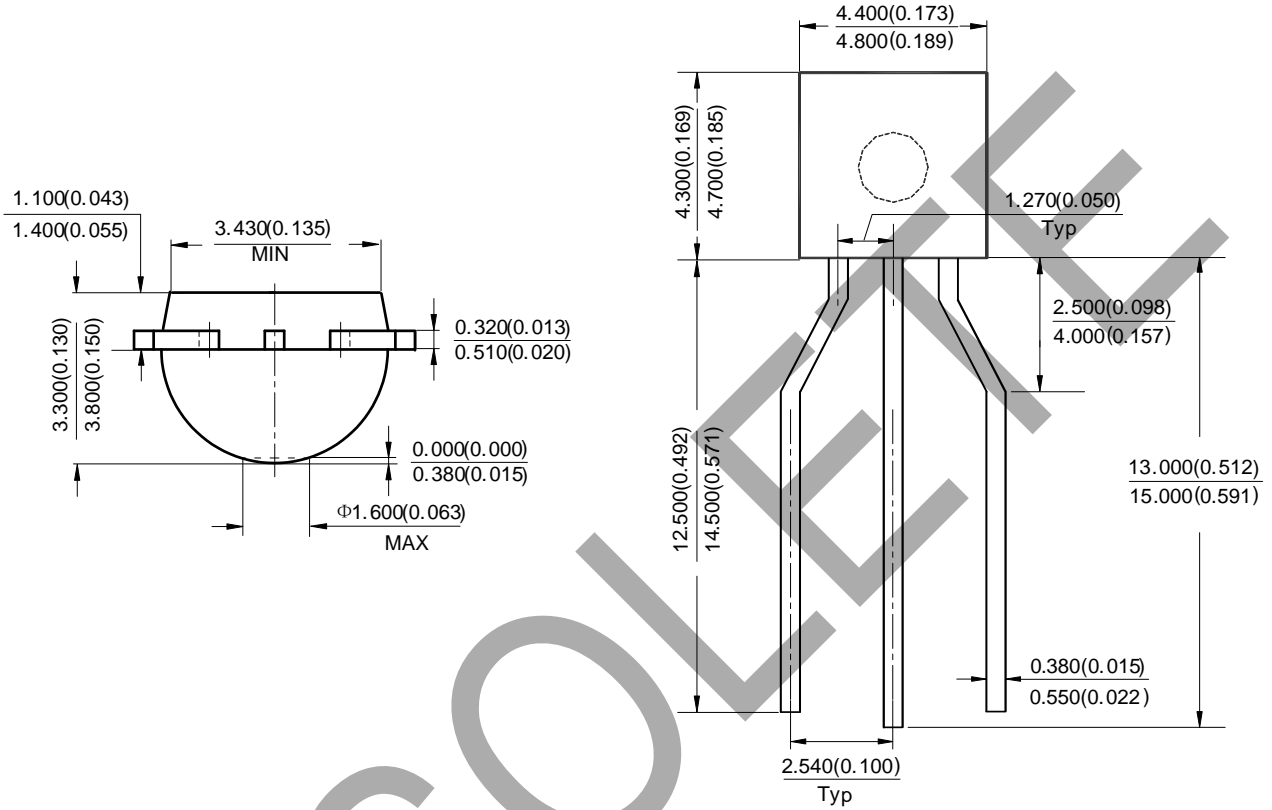
OBSOLETE - PART DISCONTINUED

OBSOLETE

**Package Outline Dimensions** (continued) (All dimensions in mm(inch).)

Please see <http://www.diodes.com/package-outlines.html> for the latest version.

(2) Package Type: TO-92 (Ammo Packing)



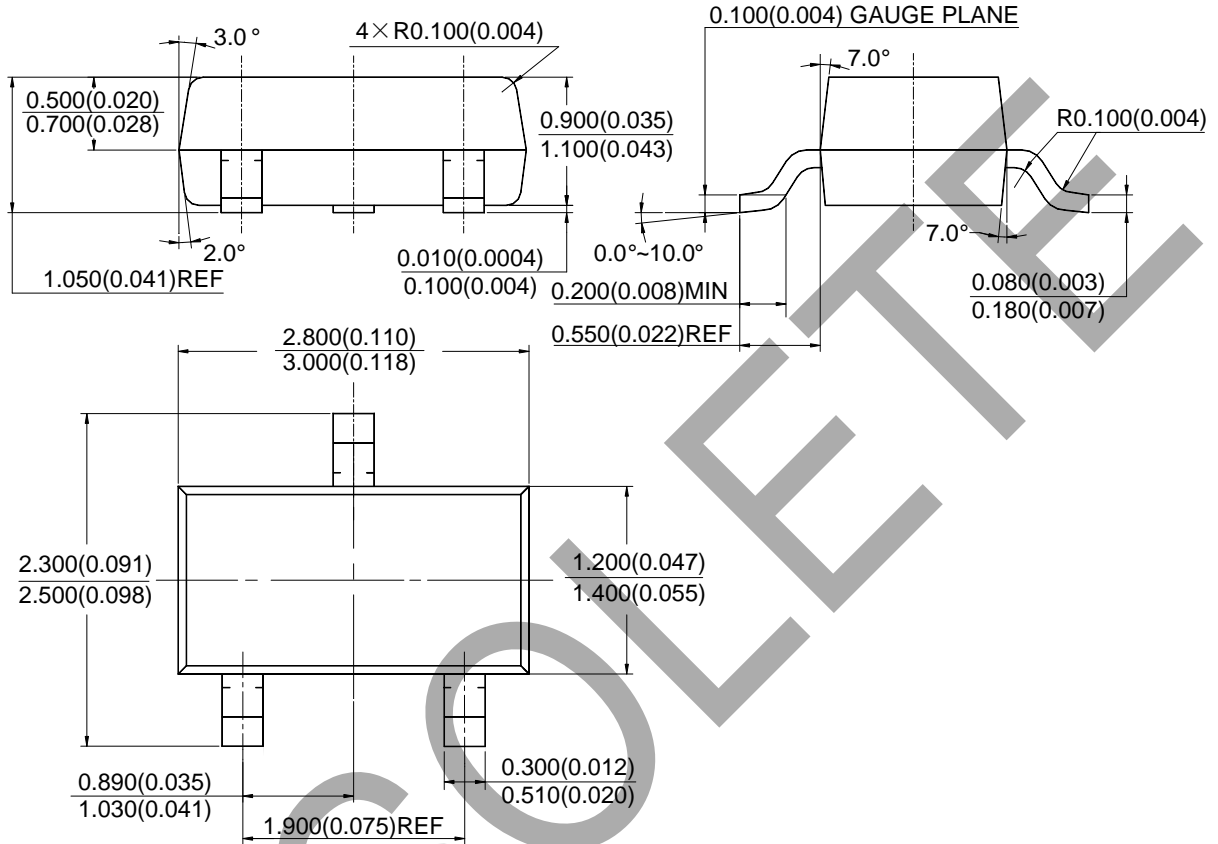
OBSOLETE - PART DISCONTINUED

OBSOLETE

**Package Outline Dimensions** (continued) (All dimensions in mm(inch).)

Please see <http://www.diodes.com/package-outlines.html> for the latest version.

(3) Package Type: SOT-23



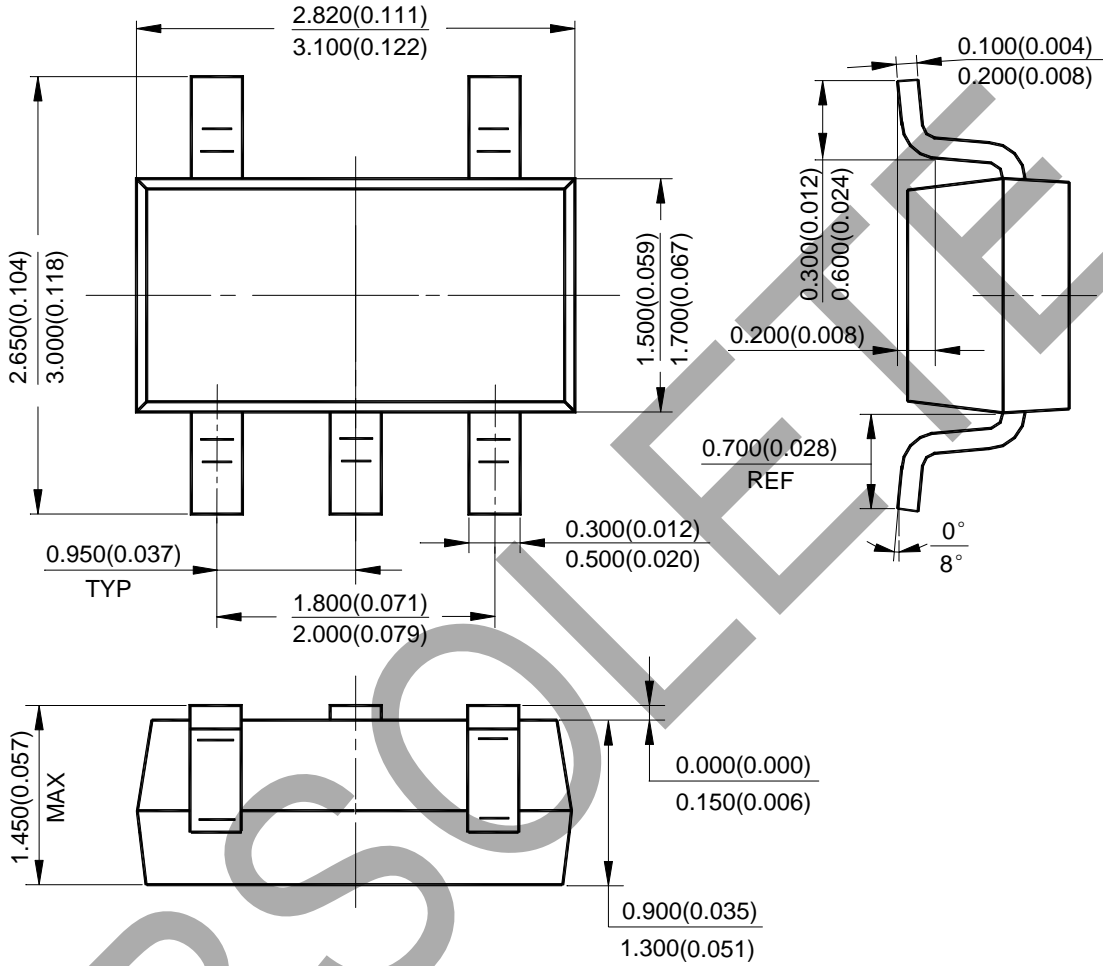
OBSOLETE - PART DISCONTINUED

OBSOLETE

**Package Outline Dimensions** (continued) (All dimensions in mm(inch).)

Please see <http://www.diodes.com/package-outlines.html> for the latest version.

(4) Package Type: SOT-23-5

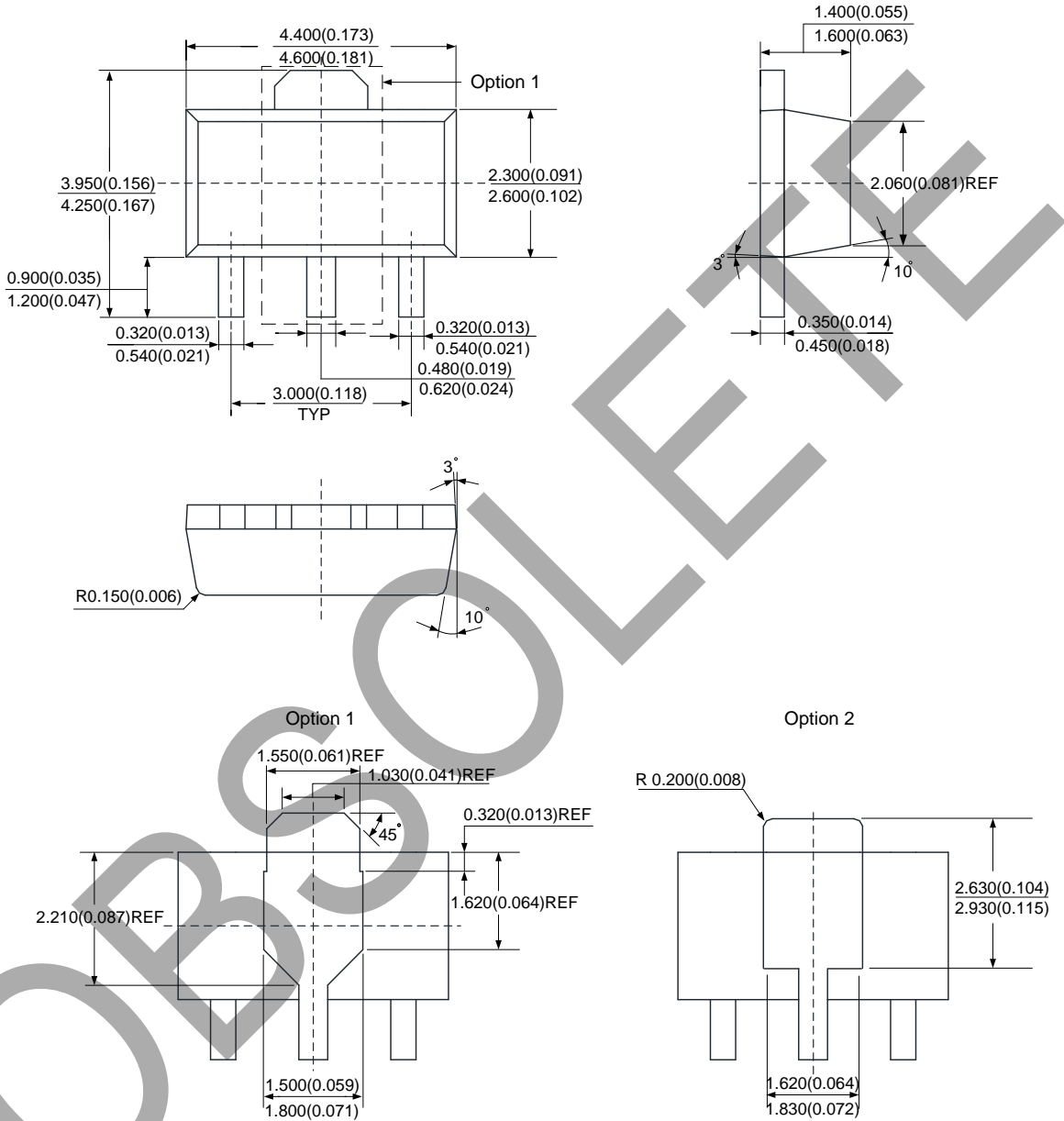


OBSOLETE - PART DISCONTINUED

**Package Outline Dimensions** (continued) (All dimensions in mm(inch).)

Please see <http://www.diodes.com/package-outlines.html> for the latest version.

(5) Package Type: SOT-89

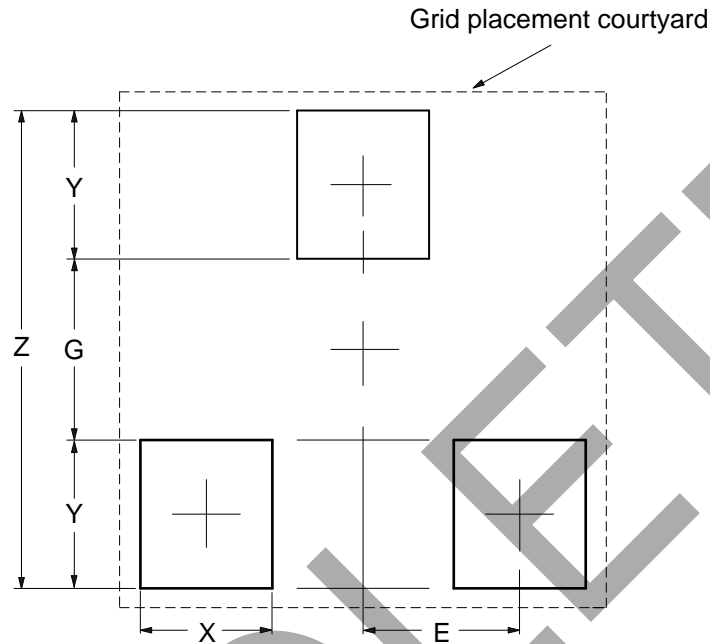


OBSOLETE - PART DISCONTINUED

## Suggested Pad Layout

Please see <http://www.diodes.com/package-outlines.html> for the latest version.

(1) Package Type: SOT-23



Dimensions	Z (mm)/(inch)	G (mm)/(inch)	X (mm)/(inch)	Y (mm)/(inch)	E (mm)/(inch)
Value	2.900/0.114	1.100/0.043	0.800/0.031	0.900/0.035	0.950/0.037

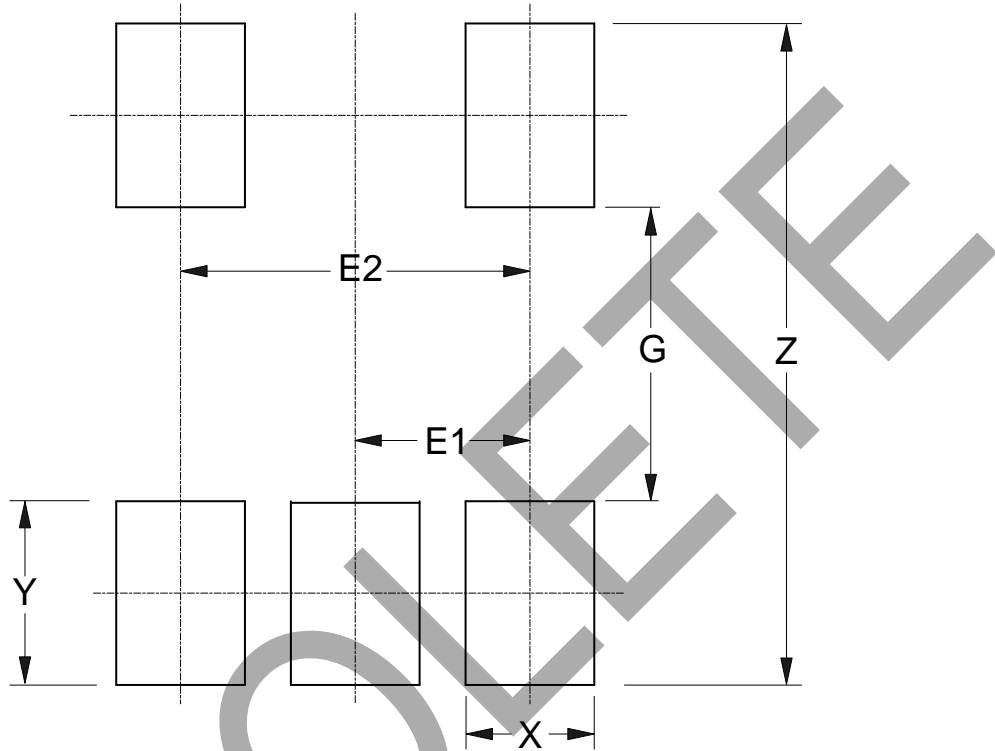
OBSOLETE - PART DISCONTINUED

OBSOLETE

**Suggested Pad Layout** (continued)

Please see <http://www.diodes.com/package-outlines.html> for the latest version.

(2) Package Type: SOT-23-5



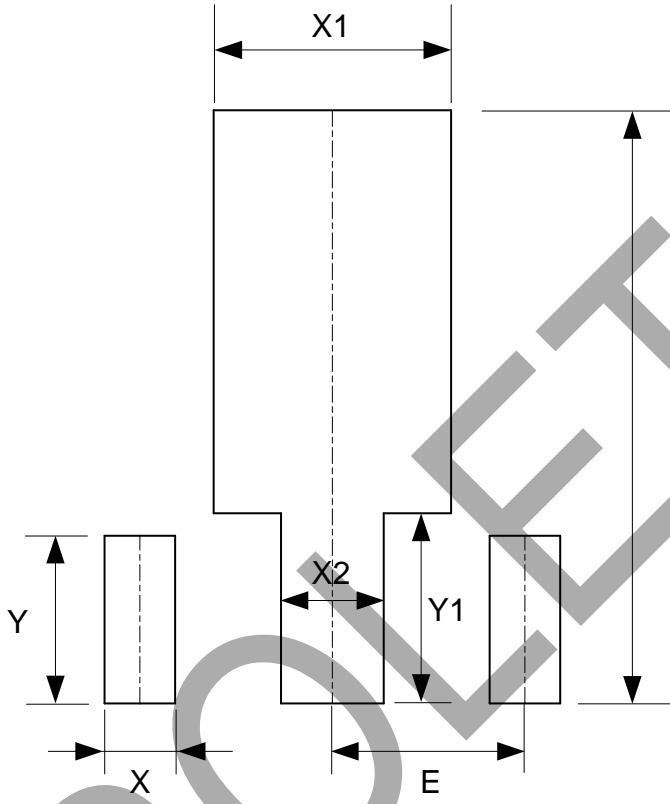
Dimensions	Z (mm)/(inch)	G (mm)/(inch)	X (mm)/(inch)	Y (mm)/(inch)	E1 (mm)/(inch)	E2 (mm)/(inch)
Value	3.600/0.142	1.600/0.063	0.700/0.028	1.000/0.039	0.950/0.037	1.900/0.075

OBSOLETE - PART DISCONTINUED

**Suggested Pad Layout** (continued)

Please see <http://www.diodes.com/package-outlines.html> for the latest version.

(3) Package Type: SOT-89



Dimensions	Z (mm)/(inch)	X (mm)/(inch)	X1 (mm)/(inch)	X2 (mm)/(inch)	Y (mm)/(inch)	Y1 (mm)/(inch)	E (mm)/(inch)
Value	4.600/0.181	0.550/0.022	1.850/0.073	0.800/0.031	1.300/0.051	1.475/0.058	1.500/0.059

OBSOLETE - PART DISCONTINUED

**IMPORTANT NOTICE**


1. DIODES INCORPORATED (Diodes) AND ITS SUBSIDIARIES MAKE NO WARRANTY OF ANY KIND, EXPRESS OR IMPLIED, WITH REGARDS TO ANY INFORMATION CONTAINED IN THIS DOCUMENT, INCLUDING, BUT NOT LIMITED TO, THE IMPLIED WARRANTIES OF MERCHANTABILITY, FITNESS FOR A PARTICULAR PURPOSE OR NON-INFRINGEMENT OF THIRD PARTY INTELLECTUAL PROPERTY RIGHTS (AND THEIR EQUIVALENTS UNDER THE LAWS OF ANY JURISDICTION).
2. The Information contained herein is for informational purpose only and is provided only to illustrate the operation of Diodes' products described herein and application examples. Diodes does not assume any liability arising out of the application or use of this document or any product described herein. This document is intended for skilled and technically trained engineering customers and users who design with Diodes' products. Diodes' products may be used to facilitate safety-related applications; however, in all instances customers and users are responsible for (a) selecting the appropriate Diodes products for their applications, (b) evaluating the suitability of Diodes' products for their intended applications, (c) ensuring their applications, which incorporate Diodes' products, comply the applicable legal and regulatory requirements as well as safety and functional-safety related standards, and (d) ensuring they design with appropriate safeguards (including testing, validation, quality control techniques, redundancy, malfunction prevention, and appropriate treatment for aging degradation) to minimize the risks associated with their applications.
3. Diodes assumes no liability for any application-related information, support, assistance or feedback that may be provided by Diodes from time to time. Any customer or user of this document or products described herein will assume all risks and liabilities associated with such use, and will hold Diodes and all companies whose products are represented herein or on Diodes' websites, harmless against all damages and liabilities.
4. Products described herein may be covered by one or more United States, international or foreign patents and pending patent applications. Product names and markings noted herein may also be covered by one or more United States, international or foreign trademarks and trademark applications. Diodes does not convey any license under any of its intellectual property rights or the rights of any third parties (including third parties whose products and services may be described in this document or on Diodes' website) under this document.
5. Diodes' products are provided subject to Diodes' Standard Terms and Conditions of Sale (<https://www.diodes.com/about/company/terms-and-conditions/terms-and-conditions-of-sales/>) or other applicable terms. This document does not alter or expand the applicable warranties provided by Diodes. Diodes does not warrant or accept any liability whatsoever in respect of any products purchased through unauthorized sales channel.
6. Diodes' products and technology may not be used for or incorporated into any products or systems whose manufacture, use or sale is prohibited under any applicable laws and regulations. Should customers or users use Diodes' products in contravention of any applicable laws or regulations, or for any unintended or unauthorized application, customers and users will (a) be solely responsible for any damages, losses or penalties arising in connection therewith or as a result thereof, and (b) indemnify and hold Diodes and its representatives and agents harmless against any and all claims, damages, expenses, and attorney fees arising out of, directly or indirectly, any claim relating to any noncompliance with the applicable laws and regulations, as well as any unintended or unauthorized application.
7. While efforts have been made to ensure the information contained in this document is accurate, complete and current, it may contain technical inaccuracies, omissions and typographical errors. Diodes does not warrant that information contained in this document is error-free and Diodes is under no obligation to update or otherwise correct this information. Notwithstanding the foregoing, Diodes reserves the right to make modifications, enhancements, improvements, corrections or other changes without further notice to this document and any product described herein. This document is written in English but may be translated into multiple languages for reference. Only the English version of this document is the final and determinative format released by Diodes.
8. Any unauthorized copying, modification, distribution, transmission, display or other use of this document (or any portion hereof) is prohibited. Diodes assumes no responsibility for any losses incurred by the customers or users or any third parties arising from any such unauthorized use.
9. This Notice may be periodically updated with the most recent version available at <https://www.diodes.com/about/company/terms-and-conditions/important-notice>

DIODES is a trademark of Diodes Incorporated in the United States and other countries.  
The Diodes logo is a registered trademark of Diodes Incorporated in the United States and other countries.  
© 2022 Diodes Incorporated. All Rights Reserved.

[www.diodes.com](http://www.diodes.com)

## Looking for pricing, stock, or lifecycle information?

Click below to explore more details on WIN SOURCE:

-  [View AZ432BNTR-E1 on WIN SOURCE](#)
-  [Diodes Incorporated Information](#)

## Optimize Your Supply Chain with WIN SOURCE Solutions

-  Global Sourcing Solution
-  Obsolete Management
-  Cost Control Management
-  Shortage Management
-  Alternative Solution
-  Excess Inventory Management