



**THE DATASHEET OF
PD70200ILD-TR**



PD70100/PD70200
Datasheet
IEEE 802.3af/at PD Front End IC



Contents

1	Revision History	1
1.1	Revision 3.0	1
1.2	Revision 2.0	1
1.3	Revision 1.1	1
1.4	Revision 1.0	1
1.5	Revision 0.6	1
1.6	Revision 0.5	1
1.7	Revision 0.4	1
1.8	Revision 0.3	1
1.9	Revision 0.1	1
2	Product Overview	2
2.1	Features	2
2.2	Applications	2
3	Functional Descriptions	4
3.1	Detail Description	5
3.1.1	Detection	5
3.1.2	Physical Layer Classification	5
3.1.3	Two-Events Detection and AT Flag	5
3.1.4	Soft Start and Inrush Current Protection	5
3.1.5	Over-Current Protection	6
3.1.6	Power Good	7
3.1.7	Auxiliary Voltage Output	7
3.1.8	Thermal Protection	7
3.1.9	Bulk Capacitor Discharge	7
4	Electrical Specifications	8
4.1	Absolute Maximum Ratings	8
4.2	Typical Electrical Performance	8
4.2.1	Power Supply	8
4.2.2	Detection Mode	9
4.2.3	Classification Mode	9
4.2.4	Mark	10
4.2.5	Isolation Switch	10
4.2.6	DC/DC Capacitor Discharger	10
4.2.7	AT_FLAG	11
4.2.8	PGOOD	11
4.2.9	Thermal Shutdown	11

4.2.10	VAUX	11
5	Pin Description	12
6	Package Specifications	13
6.1	Thermal Specifications	14
7	Ordering Information	15

1 Revision History

1.1 Revision 3.0

Revision 3.0 was published in January 2018. The following is a summary of changes in revision 3.0 of this document.

- The formatting of this document was updated to the latest template.
- MSL level updated.
- Part marking was updated. For more information, see [Ordering Information \(see page 15\)](#).
- [Absolute Maximum Ratings \(see page 8\)](#) updated.

1.2 Revision 2.0

Revision 2.0 was published in October 2015. In revision 2.0 of this document, the IC part number was updated from PD70100A to PD70100 (PDN 152044).

1.3 Revision 1.1

Revision 1.1 was published in October 2014. In revision 1.1 of this document, the description of Pin 2 was updated.

1.4 Revision 1.0

Revision 1.0 was published in March 2012. The following is a summary of changes in revision 1.0 of this document.

- The document address footer was updated.
- Characteristics were updated.

1.5 Revision 0.6

Revision 0.6 was published in July 2011. In revision 0.6 of this document, the specification was updated.

1.6 Revision 0.5

Revision 0.5 was published in January 2011. In revision 0.5 of this document, the package was updated.

1.7 Revision 0.4

Revision 0.4 was published in December 2010. In revision 0.4 of this document, the package was updated.

1.8 Revision 0.3

Revision 0.3 was published in November 2010. The following is a summary of changes in revision 0.3 of this document.

- Classification Pulse diagrams were added.
- Catalog numbers metrology was changed.
- Extensive changes were made to document format and Theory of Operation section.
- Package drawing was corrected.
- Product Highlight and Typical Characteristics were added.

1.9 Revision 0.1

Revision 0.1 was published in April 2010. It was the first publication of this document.

2 Product Overview

The PD70100 and PD70200 devices are part of Microsemi's series of Power over Ethernet (PoE) Powered Devices chips (PD). The PD70100 and PD70200 devices transmit integrated power and analog data in a single 12-pin package. They are used in Powered Devices (PD), thus enabling next generation network devices to share power and data over the same cable.

Microsemi's new PD family offers a solution to any PD application compliant with IEEE802.3af and IEEE802.3at standards and 4-pairs extra power applications. The IC family's components can be used in both indoor and outdoor applications.

The device family meets all PD-side-standards such as:

- Detection
- Classification
- Integrated isolation switch with inrush current limiter, and over-current protection
- Two-events classification recognition and AT flag generation (PD70200 only).

In addition, the devices have a discharge mechanism for a DC/DC input capacitor, ensuring quick redetection capability in case the RJ-45 plug is disconnected and reconnected within a short time span.

PD70200 IC design specifically supports IEEE802.3at standard, including two events classification detection that enables the PD to distinguish whether the connected power source equipment (PSE) is IEEE802.3at or IEEE802.3af based.

The PD70100/PD70200 ICs are designed to support 4 pair applications for PDs that require higher power.

2.1 Features

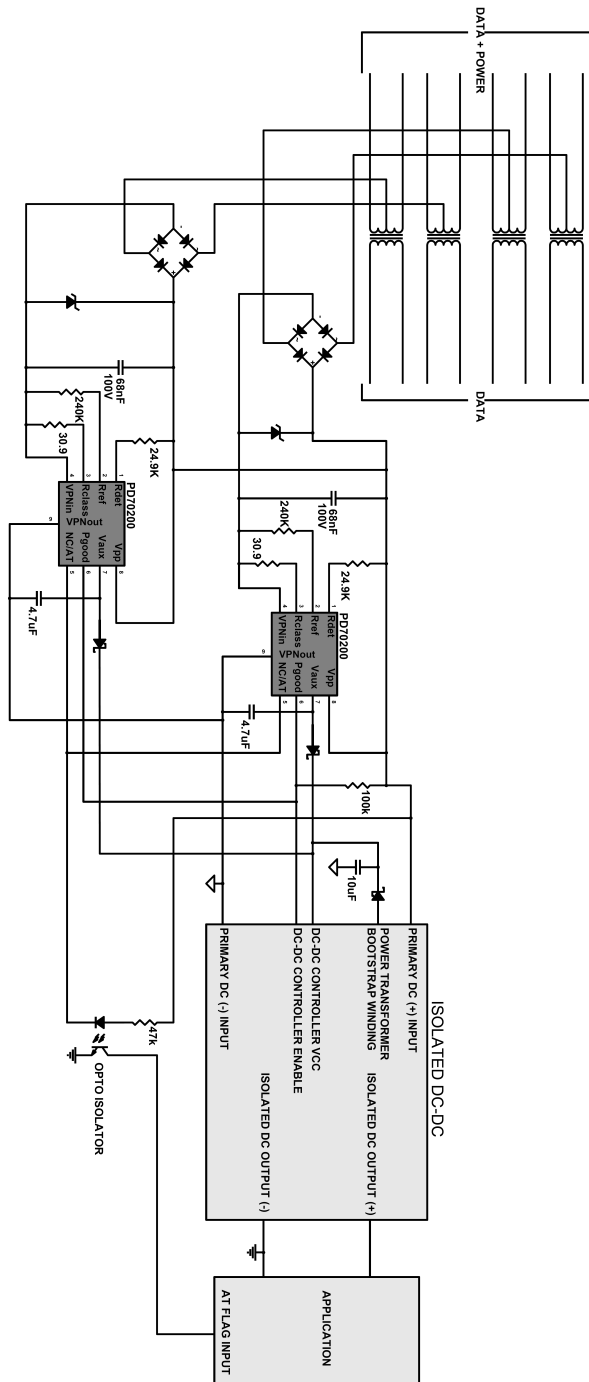
- Designed to Support IEEE802.3af and IEEE802.3at standards
- PD Detection & Programmable Classification Signature
- Two-events Classification Flag
- Signature Resistor Disconnection after Detection
- Integrated 0.6 Ω Isolating Switch and Inrush Current Limiter.
- 4-pairs support with a single PD70200 IC for up to 48 W
- 4-pairs support with two PD70200 ICs for up to 96 W
- Less than 10 μ A Offset Current during Detection
- Single DC Voltage Input (37 V – 57 V)
- Wide Operating Temperature Range: –40 to 85 $^{\circ}$ C
- On-chip Thermal Protection
- 12-pin 3 \times 4mm Package
- RoHS Compliant
- MSL3

2.2 Applications

- Power over Ethernet Powered Devices
- IEEE802.3af & at 10/100/1000 BASE-T
- 4-pair extra power applications
- Indoor and outdoor applications

The following illustration shows a typical PD70100 /PD70200 application.

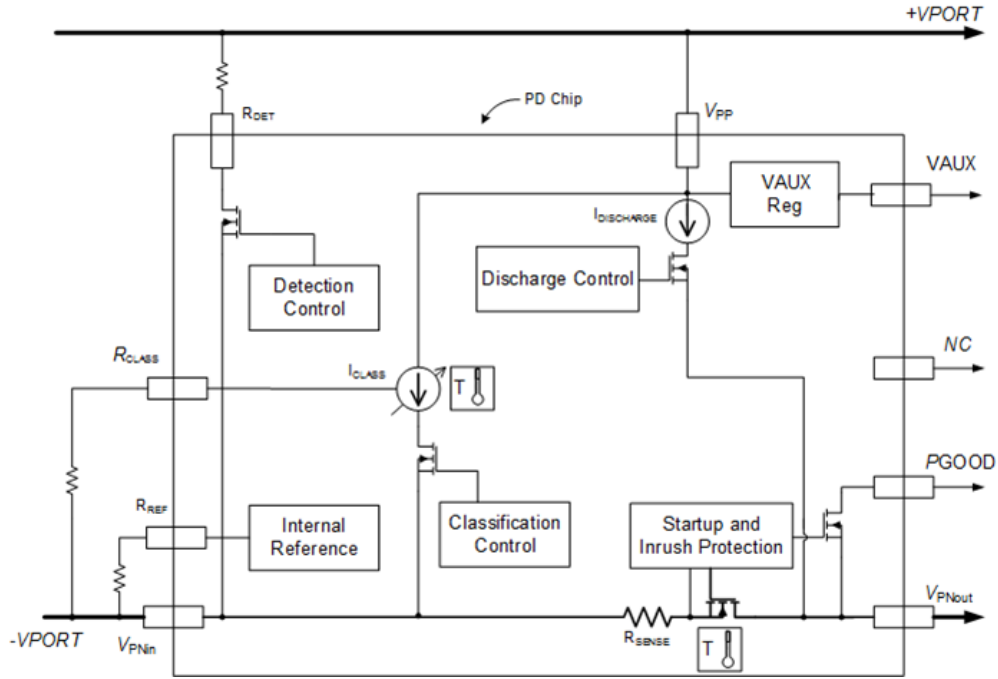
Figure 1 • Typical Application with IEEE802.3at PSE



3 Functional Descriptions

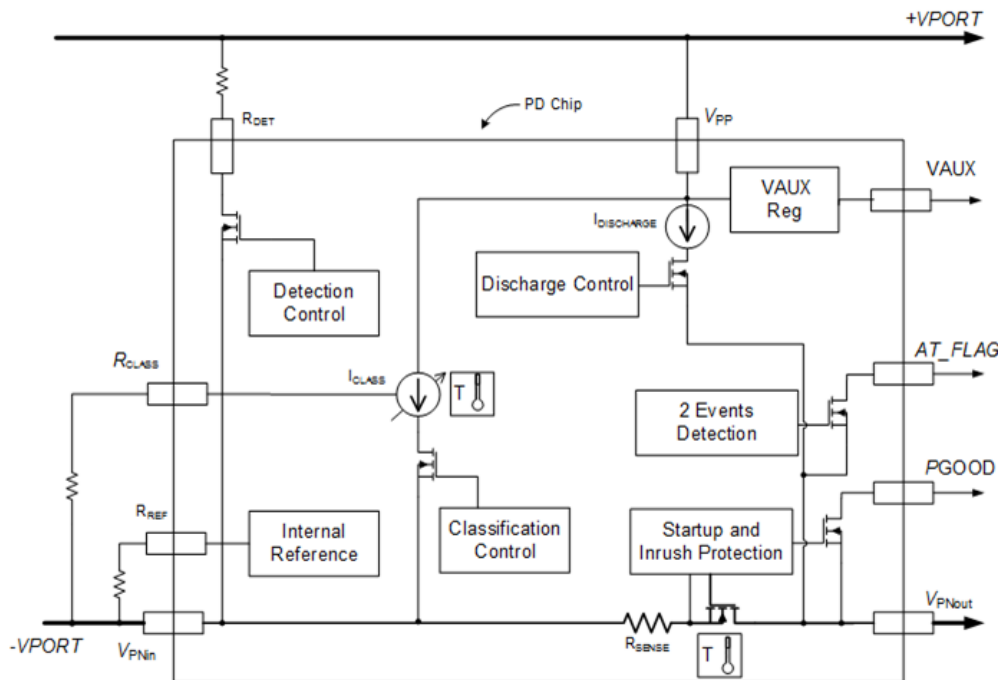
The following illustration shows the functional blocks of the PD70100.

Figure 2 • PD70100 Functional Block Diagram



The following illustration shows the functional blocks of the PD70200.

Figure 3 • PD70200 Functional Block Diagram



3.1 Detail Description

PD70100/PD70200 IC provides IEEE 802.3af/at compliant PD Front-End functions including Detection, Physical Layer Classification, Two-Events Classification (PD70200 only), Auxiliary Voltage Output, Power Good, Soft Start Current Limiting, Over-Current Protection, and Bulk Capacitor Discharge.

3.1.1 Detection

IEEE 802.3af/at compliant detection is provided by a 24.9 K Ω resistor connected between V_{PP} and R_{DET} pin. R_{DET} pin is connected to VPN_{IN} via an open drain MOSFET with a maximum specified R_{DS(ON)} of 50 Ω . Internal logic monitors V_{PP} to VPN_{IN} and connects the R_{DET} pin to VPN_{IN} when the rising V_{PP} to VPN_{IN} voltage is between 2.5 V and 10.1 V. When rising V_{PP} to VPN_{IN} voltage exceeds 10.1 V, the MOSFET is switched off. Once above 10.1 V, falling V_{PP} to VPN_{IN} voltage between 2.45 V and 4.85 V will reconnect R_{DET} pin to VPN_{IN}.

3.1.2 Physical Layer Classification

Physical Layer (hardware) Classification per IEEE 802.3af/at is generated via a regulated reference voltage of 1.2 V, switched onto the R_{CLASS} pin. Internal logic monitors the V_{PP} to VPN_{IN} voltage and connects the 1.2 V reference to R_{CLASS} pin at a rising V_{PP} to VPN_{IN} voltage threshold between 11.1 V and 13.5 V. Once V_{PP} to VPN_{IN} has exceeded the rising threshold, there is a 1 V minimum hysteresis between the V_{PP} rising (turn-on) threshold and the V_{PP} falling (turn-off) threshold.

The 1.2 V reference stays connected to the R_{CLASS} pin until the V_{PP} to VPN_{IN} rising voltage exceeds the upper turn-off threshold of 20.9 V to 23.9 V. The 1.2 V reference voltage is disconnected from the R_{CLASS} pin at V_{PP} to VPN_{IN} voltages above the upper threshold.

Classification current signature is provided via a resistor connected between R_{CLASS} pin and VPN_{IN}. The classification current is therefore the current drawn by the PD70100/PD70200 IC during the classification phase, and is simply the 1.2 V reference voltage divided by the R_{CLASS} resistor value. The maximum current available at the R_{CLASS} pin is current limited to 55 mA (typical).

3.1.3 Two-Events Detection and AT Flag

The PD70200 IC provides IEEE 802.3at Type 2 compliant detection of the “Two Events Classification Signature”, and generation of the AT flag. This feature is available on the PD70200 IC only.

Simply put, the “Two Events Classification Signature” is a means by which an IEEE 802.3at Type 2 Power Source can inform a compliant Power Device (PD) that it is AT Type 2 compliant, and as such is capable of providing AT Type 2 power levels.

The Power Source communicates with a Type 2 compliant signature by toggling the V_{PP} to VPN_{IN} voltage twice (2 “events”) during the Physical Layer Classification phase. The V_{PP} to VPN_{IN} voltage is toggled from the Physical Layer Classification’s voltage level (13.5 V to 20.9 V) down to a voltage “Mark” level. Voltage “Mark” level is specified as a V_{PP} to VPN_{IN} voltage of 4.9 V to 10.1 V.

PD70200 IC recognizes a V_{PP} to VPN_{IN} falling edge from Classification level to Mark level as being one event of the Two-Events Signature. If two such falling edges are detected, PD70200 will assert AT flag by means of an open drain MOSFET connected between AT_FLAG pin and VPN_{OUT}.

AT_FLAG pin is active low; a low impedance state between AT_FLAG and VPN_{OUT} indicates a valid Two-Events Classification Signature was received, and the Power Source is AT Type 2 compliant.

AT_FLAG MOSFET is capable of 5 mA of current and can be pulled up to V_{PP}.

3.1.4 Soft Start and Inrush Current Protection

PD70100/PD70200 IC contains an internal isolation switch, that provides ground isolation between Power Source and PD application during Detection and Classification phases. The isolation switch is a N-channel MOSFET, wired in a common source configuration where the MOSFET’s Source is connected to Power Source ground at VPN_{IN}, and the MOSFET’s Drain is connected to application’s primary ground at VPN_{OUT}.

Internal logic monitors V_{PP} to VP_{IN} voltage and keeps the MOSFET in a high impedance state until V_{PP} to VP_{IN} voltage reaches turn-on threshold of 36 V to 42 V. Once V_{PP} to VP_{IN} voltage exceeds this threshold, the MOSFET is switched into one of two modes.

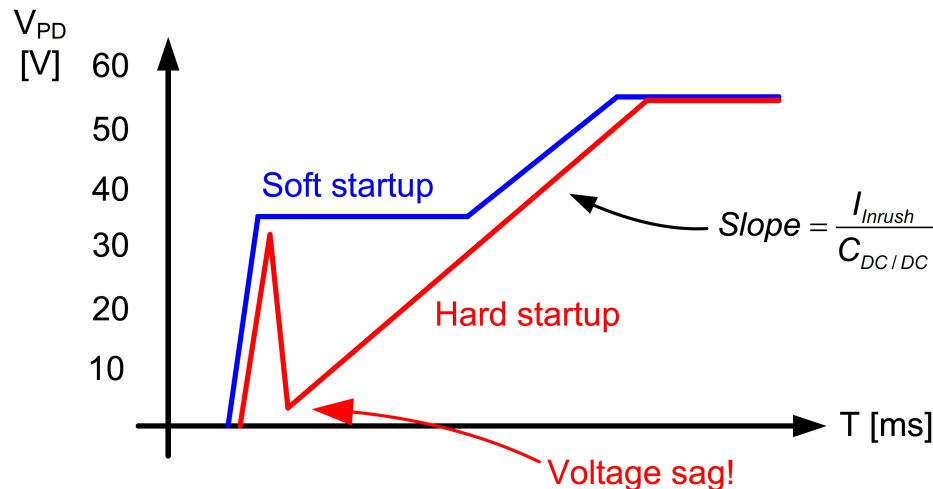
The mode into which the MOSFET is switched is determined by the voltage developed across the MOSFET, or put another way, the VP_{OUT} to VP_{IN} differential voltage. Two modes are defined below:

Table 1 • Isolation Switch Modes

VP_{OUT} to VP_{IN}	Mode	Description
> 0.7 V	Soft Start Mode	Limits VP_{OUT} current to 240 mA (typical)
≤ 0.7 V	Normal Operating Mode	Limits VP_{OUT} current to 1.8 A (typical)

By controlling the MOSFET current based on VP_{OUT} to VP_{IN} voltage, inrush currents generated by fully discharged bulk capacitors can be limited. This method limits current to a maximum of 350 mA, compliant with IEEE 802.3af/at specification.

Soft Start current limiting is required to reduce occurrences of voltage sag at the PD input during device power-up. A comparison is shown in the figure below.



Once bulk capacitance has charged up to a point where VP_{OUT} to VP_{IN} differential voltage is less than 0.7 V, the isolation MOSFET is switched into normal operating mode with MOSFET current limit set at 1.8 A (typical), to provide over-current protection.

PD70100 and PD70200 ICs are different in their respective isolation MOSFET's continuous current handling capability:

- PD70100: 450 mA (max.)
- PD70200: 1123 mA (max.)

An adequate heat sink for the PD70100/PD70200 IC's exposed pad must be provided to achieve these current levels without damaging the IC. A large, heavy copper fill area and/or a heavy ground plane with Thermal Vias is recommended. Electrically the exposed pad ground plane should be connected to VP_{IN} .

Internal logic monitoring V_{PP} to VP_{IN} will place the isolation switch MOSFET in a high impedance state if voltage between V_{PP} and VP_{IN} drops below 31 V to 34 V.

3.1.5 Over-Current Protection

Over-current protection is provided on the PD70100/PD70200 IC using the Isolation MOSFET Switch, which limits the VP_{OUT} current to 1.8 A during normal operation. See previous description of Soft Start.

3.1.6 Power Good

During Soft Start mode, the PD70100/PD70200 IC monitors VPN_{OUT} to VPN_{IN} differential voltage. When this voltage is less than 0.7 V (max.), the IC enters normal operation mode and the isolation switch current limit is increased to 1.8 A (typical). At this same 0.7 V (max.) threshold the Power Good signal is asserted by means of an open drain MOSFET between PGOOD and VPN_{OUT} .

PGOOD pin is active low; a low impedance state between PGOOD and VPN_{OUT} indicates the Soft Start mode has finished and the isolation switch has transitioned into normal operating mode.

PGOOD MOSFET can handle current of 5 mA and can be pulled up to V_{PP} .

3.1.7 Auxiliary Voltage Output

PD70100/PD70200 IC provides a 10.5 V (typical) regulated output to be used as a start-up supply for DC/DC controllers whose V_{CC} is provided via a bootstrap winding. This regulated supply is available at V_{AUX} pin, and is referenced to VPN_{OUT} pin. V_{AUX} supply is designed for low-duty operation, and should not be designed as a primary housekeeping supply. The current capability is continuous 2 mA, with 10 mA peak (≤ 10 ms). V_{AUX} output is current-limited at 10 mA (min.).

For stability, the V_{AUX} regulator requires a minimum of 4.7 μ F ceramic capacitor connected directly between V_{AUX} and VPN_{OUT} pins.

3.1.8 Thermal Protection

Both PD70100 and PD70200 IC include temperature sensors which individually monitor both the isolation MOSFET and the Classification Current Source for over temperature conditions. In case of an over temperature condition, the sensor will activate protection circuitry which will disconnect its respective monitored function.

3.1.9 Bulk Capacitor Discharge

The bulk capacitor discharge circuitry eliminates the need to place a diode in series with the V_{PP} line to prevent an application's bulk capacitance from discharging through the detection resistor and the isolation switch MOSFET's body diode. Discharge current through the detection resistor can cause failure of the detection signature in cases where a PD is connected and the bulk capacitance is not fully discharged.

During normal operation, PD70100/PD70200 IC continuously monitors voltage at V_{PP} to VPN_{IN} . Should V_{PP} to VPN_{IN} voltage fall below isolation switch turn-off threshold (31 V to 34 V), isolation switch MOSFET is immediately placed in a high-impedance state. At this point the internal logic monitors the voltage at V_{PP} to VPN_{OUT} . If V_{PP} to VPN_{OUT} voltage is between 1.5 V to 32 V, a 23 mA (min.) constant current source is connected across the V_{PP} and VPN_{OUT} pins. This constant current source provides bulk capacitor discharge.

A 220 μ F bulk capacitance can be discharged from 32 V to 1.5 V in a maximal period of 292 ms.

4 Electrical Specifications

4.1 Absolute Maximum Ratings

Table 2 • Absolute Maximum Ratings

Supply Input Voltage (V_{PP}) Continuous	-0.3 V to 74 V _{DC}
Supply Input Voltage (V_{PP}) 1 ms pulse	-0.3 V to 88 V _{DC}
Port Negative Out Voltage (VPN _{OUT})	-0.3 V to 74 V _{DC}
R _{DET} Continuous	-0.3 V to 74 V _{DC}
R _{DET} 1 mS pulse	-0.3 V to 88 V _{DC}
R _{CLASS} , R _{REF}	-0.3 V to 5 V _{DC}
V _{AUX}	-0.3 V to 30 V _{DC}
PGOOD, AT_FLAG (with respect to VPN _{OUT}) Continuous	-0.3 V to 74 V _{DC}
PGOOD, AT_FLAG (with respect to VPN _{OUT}) 1 mS pulse	-0.3 V to 88 V _{DC}
ESD Protection*	±1.5 kV HBM
Maximum Operating Junction Temperature (T _A)	150 °C
Operating Ambient Temperature	-40 °C to 85 °C
Storage Temperature Range	-65 °C to 150 °C
Peak Package Solder Reflow Temp (40 seconds max exposure)	260 °C

* All pins except pin 11 (V_{AUX}). Pin 11 ESD Protection ±150 V HBM.

** No pin voltage can be higher than V_{pp}.

Note: Exceeding these ratings could cause damage to the device. All voltages are with respect to VPN_{IN} except for V_{aux}, PGOOD and AT_FLAG with respect to VPN_{OUT}. Currents are positive into, negative out of specified terminal. These are stress ratings only and functional operation of the device at these or any other conditions beyond those indicated under “Recommended Operating Conditions” are not implied. Exposure to “Absolute Maximum Ratings” for extended periods may affect device reliability.

4.2 Typical Electrical Performance

Unless otherwise specified, the following specifications apply over the operating ambient temperature -40 °C ≤ T_{AMB} ≤ 85 °C. Production tests are done at 25 °C T_A.

4.2.1 Power Supply

Table 3 • Power Supply

Parameter	Symbol	Min	Typ	Max	Units	Test Conditions/Comment
Input Voltage	V _{PP}	0	55	57	V	Supports Full IEEE802.3 af/at functionality
Power Supply Current at Operating Mode			1	3	mA	V _{PP} = 55 V

4.2.2 Detection Mode

Table 4 • Detection Mode

Parameter	Symbol	Min	Typ	Max	Units	Test Conditions/Comment
Detection is connected. At this voltage range R _{DET} must be on.	DET _{RANGE}	1.3		10.1	V	Measured between V _{PP} and VP _{NIN}
Detection Switch ON Resistance PD-detection	R _{DET-on}			50	Ω	2.5 V ≤ (ΔV _{PP} to VP _{NIN}) ≤ 10.1 V Measured between R _{DET} and VP _{NIN}
Detection is Disconnected	R _{DET-off}	10.1		12.8	V	Measured between V _{PP} and VP _{NIN}
Detection Switch OFF Resistance	R _{DET-off}	2.0			MΩ	12.8 V ≤ (ΔV _{PP} to VP _{NIN}) ≤ 57.0 V Measured between R _{DET} and VP _{NIN}
Input Offset Current	I _{OFFSET}			16	μA	1.1 V to 10.1 V -40 °C ≤ T _J ≤ 85 °C
				10	μA	1.1V to 10.1V -40 °C ≤ T _J ≤ 55 °C

4.2.3 Classification Mode

Table 5 • Classification Mode

Parameter	Symbol	Min	Typ	Max	Units	Test Conditions/Comment
Classification Current Source, Turn ON ThresholdRangeMeasured at V _{PP}	V _{TH-low-on}	11.4		13.7	V	Turn on for any I _{CLASS} while V _{PP} increases
Classification Current Source, Turn OFF ThresholdRangeMeasured at V _{PP}	V _{TH-high-off}	20.9		23.9	V	Turn off while V _{PP} increases
Current Limit Threshold	I _{CLASS-LIM}	50.0	68	80.0	mA	
Input Current I _{PP} When Classification Function is Disabled	I _{CLASS-DIS}			4.0	mA	Class 0 R _{CLASS} = Disconnect
Input Current I _{PP} When Classification Function is Enabled	I _{CLASS-EN}	9.0	10.5	12.0	mA	Class 1 R _{CLASS} = 133 Ω ± 1%
		17.0	18.5	20.0	mA	Class 2 R _{CLASS} = 69.8 Ω ± 1%
		26.0	28.0	30.0	mA	Class 3 R _{CLASS} = 45.3 Ω ± 1%
		36.0	40.0	44.0	mA	Class 4 R _{CLASS} = 30.9 Ω ± 1%

4.2.4 Mark

Table 6 • Mark

Parameter	Symbol	Min	Typ	Max	Units	Test Conditions/Comment
Mark, Working Voltage Range	V _{MARK}	4.9		10.1	V	When voltage decreases Measured between V _{PP} to V _{PNIN}
Mark Current	I _{MARK}	0.25		4	mA	Chip current

4.2.5 Isolation Switch

Table 7 • Isolation Switch

Parameter	Symbol	Min	Typ	Max	Units	Test Conditions/Comment
Isolation Switch MOSFET Switches from Off to I _{LIM-LOW}	V _{SW-START}	36		42	V	
Isolation Switch MOSFET Switched Off	V _{SW-OFF}	30.5		34.5	V	
Startup Current Limit, I _{LIM}	I _{LIM-LOW}	105	240	325	mA	
V _{PNIN} to V _{PNOUT} Threshold Voltage for I _{LIM-LOW} to I _{LIM-HIGH} Switchover	V _{DIFF}			0.7	V	When V _{PNIN} to V _{PNOUT} ≤ V _{DIFF} , Isolating switch switches over from I _{LIM-LOW} to I _{LIM-HIGH} .
Over Current Protection Current Limit	OCP	1500	1800	2000	mA	
Continuous Operation Load Current (PD70100)	I _{LOAD}		350	450	mA	Isolating switch at I _{LIM-HIGH}
Continuous Operation Load Current (PD70200)			600	1123		
Continuous Operation Total R _{DS(ON)}	SW-R _{DS(ON)}			0.6	Ω	Total resistance between V _{PNIN} and V _{PNOUT} Isolating switch at I _{LIM-HIGH}

4.2.6 DC/DC Capacitor Discharger

Table 8 • DC/DC Capacitor Discharger

Parameter	Symbol	Min	Typ	Max	Units	Test Conditions /Comment
DC/DC Input Capacitance			220		μF	For reference only Guaranteed by design (not tested in production)
Discharge Current		22.8	32	50	mA	7.0V ≤ V _{PP} to V _{PNOUT} ≤ 30 V
Full Discharge Time for Full Discharge of Input Capacitance	T _{DSC}			500	ms	V _{PP} < UVLO threshold Guaranteed by design (not tested in production)

4.2.7 AT_FLAG

Table 9 • AT_FLAG

Parameter	Symbol	Min	Typ	Max	Units	Test Conditions/Comment
Output Low Voltage				0.4	V	$I_{OL} = 0.75 \text{ mA}$
				2.5	V	$I_{OL} \text{ MAX} = 5 \text{ mA}$
Leakage Current			1.7	μA		$V_{ATFLAG} = 57 \text{ V}$

4.2.8 PGOOD

Table 10 • PGOOD

Parameter	Symbol	Min	Typ	Max	Units	Test Conditions/Comment
Output Low Voltage				0.4	μF	$I_{OL} = 0.75 \text{ mA}$
				2.5	mA	$I_{OL} \text{ MAX} = 5 \text{ mA}$
Leakage Current			1.7	μA		$V_{PGOOD} = 57 \text{ V}$

4.2.9 Thermal Shutdown

Table 11 • Thermal Shutdown

Parameter	Symbol	Min	Typ	Max	Units	Test Conditions/Comment
Thermal Shutdown Temperature		180	200	220	$^{\circ}\text{C}$	

4.2.10 VAUX

 Reference to VPN_{OUT} .

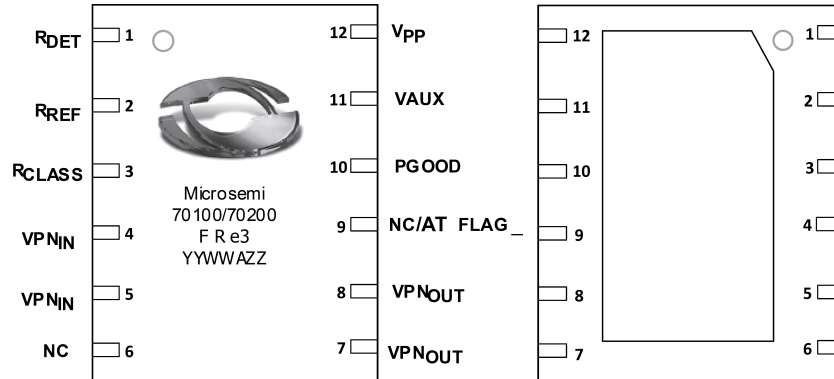
Table 12 • VAUX

Parameter	Symbol	Min	Typ	Max	Units	Test Conditions/Comment
V_{AUX} Output Voltage On	V_{AUX-on}	9.5	10.5	11.8	V	Isolating switch at $I_{UM-HIGH}$ and $PGOOD = \text{Low}$
Output Current Peak	I_{VAUXP}	0		10	mA	Capacitor = $30 \mu\text{F}$
						When $T_{LOAD} \leq 5 \text{ mS}$
Output Continuous Current	I_{VAUXC}	0		2	mA	When $T_{LOAD} \leq 10 \text{ mS}$
						Isolating switch at $I_{UM-HIGH}$ and $PGOOD = \text{Low}$
V_{AUX} Output Current Limit	I_{VAUX}	10		32	mA	Isolating switch at $I_{UM-HIGH}$ and $PGOOD = \text{Low}$

5 Pin Description

The following illustration shows the device pinout, from the top view and bottom view.

Figure 4 • Pinout Top View and Bottom View



The following table lists the pin descriptions for the PD70100/PD70200 devices.

Table 13 • Pin Descriptions

Pin	Pin Name (PD70100)	Pin Name (PD70200)	Type	Description
1	R _{DET}	R _{DET}		Valid Detection resistor. Connect external 24.9 kΩ detection resistor between R _{DET} and V _{PP} .
2	R _{REF}	R _{REF}		Bias current resistor. Connect a 243 k 1% resistor between this pin and VPN _{IN} .
3	R _{CLASS}	R _{CLASS}		Power classification setting. Connect external class resistor between R _{CLASS} and VPN _{IN} .
4	VPN _{IN}	VPN _{IN}	Power	V _{Port} Negative input. Connected to the isolating SW input. N-channel MOSFET source. The exposed thermal pad should be connected to these pins.
5				
6	N.C.	N.C.		
7	VPN _{OUT}	VPN _{OUT}	Power /Gnd	V _{port} Negative output. Connected to the isolating SW output. N-channel MOSFET Drain. Primary side Ground.
8				A decent ground plane should be deployed around this pin whenever is possible.
9	N.C.	AT_FLAG	Open drain	The two-event detector should discern between AF and AT classification waveforms and outputs the AT_FLAG (PD70200 only).
10	PGOOD	PGOOD	Open drain	After startup, a PGOOD flag is generated in order to optionally inform the application DC/DC converter that the power rails are ready.
11	V _{AUX}	V _{AUX}	Power	Auxiliary output voltage to VPN _{OUT} . Can be used for DC-DC startup for bootstrap initiation.
12	V _{PP}	V _{PP}	Power	High voltage positive input, reference to VPN _{IN} and high voltage positive input, reference to VPN _{OUT} during capacitor discharge.
EP	EPAD	EPAD		Connect to VPN _{IN} . EPAD should be connected to a large copper area for improved thermal management.

6 Package Specifications

This section provides information about the available package.

Note: Dimensions do not include mold flash or protrusions; these shall not exceed 0.155 mm (.006") on any side. Lead dimension shall not include solder coverage. Dimensions are in millimeters, inches for reference only.

Figure 5 • Package Drawing Dimensions and Measurements

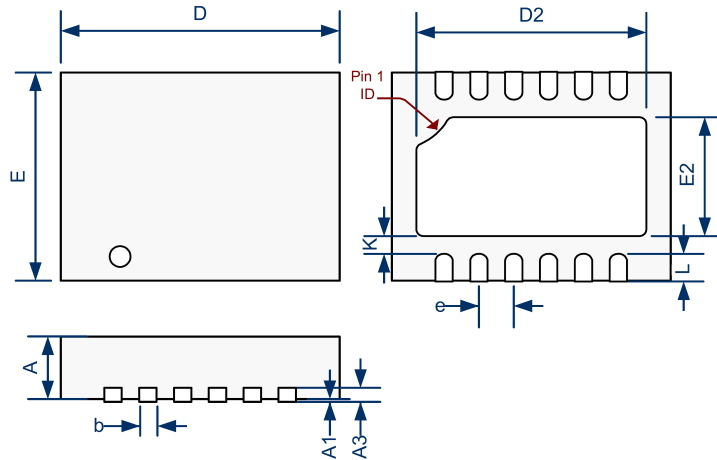


Table 14 • Package Dimensions: DFN

Dimension	Millimeters		Inches	
	Min	Max	Min	Max
A	0.80	1.00	0.031	0.039
A1	0.00	0.05	0.000	0.002
A3	0.20 REF		0.008 REF	
D	4.00 BSC		0.157 BSC	
E	3.00 BSC		0.118 BSC	
D2	3.00	3.70	0.118	0.146
E2	1.40	1.80	0.055	0.071
e	0.50 BSC		0.0197 BSC	
K	0.20 MIN		0.008 MIN	
L	0.30	0.50	0.012	0.020
b	0.18	0.30	0.007	0.012

6.1 Thermal Specifications

The following table lists the thermal specifications for the PD70100 and PD70200 devices.

Table 15 • Thermal Specifications

Parameter	Value
Typical thermal resistance: junction to ambient	40 °C/W
Typical thermal resistance: junction to case	4 °C/W

The θ_{JA} numbers are guidelines for the thermal performance of the device/pc-board system. All specifications assume no ambient airflow.

7 Ordering Information

Table 16 • Ordering Information

Part Number	Packaging Type	Package	Part Marking
PD70100ILD	Bulk	DFN	MSC
PD70100ILD-TR	Tape and Reel	4 mm × 3 mm 12 pins RoHS Compliant / Pb-free	70100 F R e3 ¹ YYWWAZZ ²
PD70200ILD	Bulk	DFN	MSC
PD70200ILD-TR	Tape and Reel	4 mm × 3 mm 12 pins RoHS Compliant / Pb-free	70200 F R e3 ¹ YYWWAZZ ²

1. F R e3: F = FAB Code, R = Product revision code, and e3 = 2nd level interconnect.
2. YY = Year, WW = Week, A = Assembly location, and ZZ = Assembly Lot sequence code.

**Microsemi Corporate Headquarters**

One Enterprise, Aliso Viejo,
 CA 92656 USA
 Within the USA: +1 (800) 713-4113
 Outside the USA: +1 (949) 380-6100
 Fax: +1 (949) 215-4996
 Email: sales.support@microsemi.com
www.microsemi.com

© 2010–2017 Microsemi Corporation. All rights reserved. Microsemi and the Microsemi logo are trademarks of Microsemi Corporation. All other trademarks and service marks are the property of their respective owners.

Microsemi makes no warranty, representation, or guarantee regarding the information contained herein or the suitability of its products and services for any particular purpose, nor does Microsemi assume any liability whatsoever arising out of the application or use of any product or circuit. The products sold hereunder and any other products sold by Microsemi have been subject to limited testing and should not be used in conjunction with mission-critical equipment or applications. Any performance specifications are believed to be reliable but are not verified, and Buyer must conduct and complete all performance and other testing of the products, alone and together with, or installed in, any end-products. Buyer shall not rely on any data and performance specifications or parameters provided by Microsemi. It is the Buyer's responsibility to independently determine suitability of any products and to test and verify the same. The information provided by Microsemi hereunder is provided "as is, where is" and with all faults, and the entire risk associated with such information is entirely with the Buyer. Microsemi does not grant, explicitly or implicitly, to any party any patent rights, licenses, or any other IP rights, whether with regard to such information itself or anything described by such information. Information provided in this document is proprietary to Microsemi, and Microsemi reserves the right to make any changes to the information in this document or to any products and services at any time without notice.

Microsemi Corporation (Nasdaq: MSCC) offers a comprehensive portfolio of semiconductor and system solutions for aerospace & defense, communications, data center and industrial markets. Products include high-performance and radiation-hardened analog mixed-signal integrated circuits, FPGAs, SoCs and ASICs; power management products; timing and synchronization devices and precise time solutions, setting the world's standard for time; voice processing devices; RF solutions; discrete components; enterprise storage and communication solutions; security technologies and scalable anti-tamper products; Ethernet solutions; Power-over-Ethernet ICs and midspans; as well as custom design capabilities and services. Microsemi is headquartered in Aliso Viejo, California, and has approximately 4,800 employees globally. Learn more at www.microsemi.com.

PD-000303241

Looking for pricing, stock, or lifecycle information?

Click below to explore more details on WIN SOURCE:

 [View PD70200ILD-TR on WIN SOURCE](#)

 [Microchip Technology](#) Information

Optimize Your Supply Chain with WIN SOURCE Solutions

-  Global Sourcing Solution
-  Obsolete Management
-  Cost Control Management
-  Shortage Management
-  Alternative Solution
-  Excess Inventory Management