



THE DATASHEET OF
248040602001829+



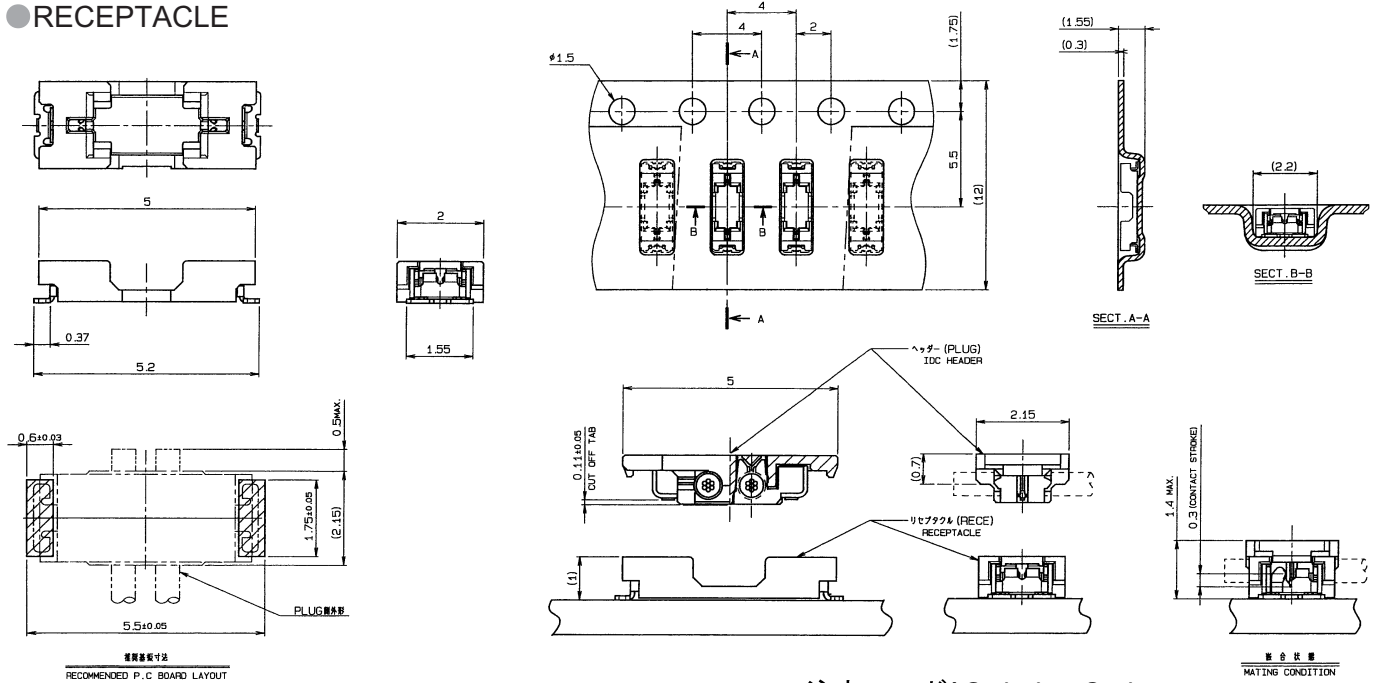
1.0mm Pitch

SERIES

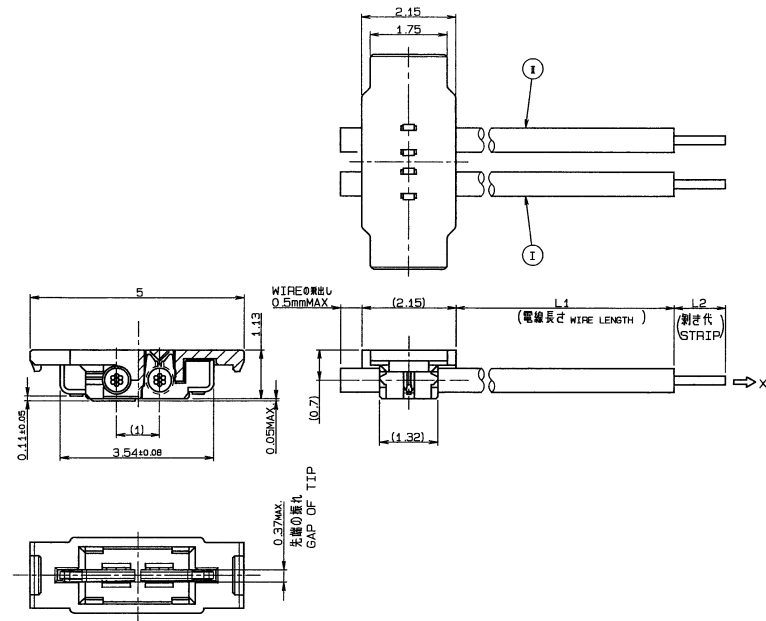
8040

1.0mmピッチ マイクロコネクタ
1.0mm-pitch Micro Connector

● RECEPTACLE



● PLUG IDC HEADER



注文コード / Ordering Code

Part No. **24 8040 002 001 829+**

極数 No. of pos.

梱包数量 : 10,000個/リール
PACKING QUANTITY : 10,000ea/reel

注文コード / Ordering Code

Part No. **97 8040 xx2 xxx 829**

極数 No. of pos.

※注文コードはハーネスの仕様により構成致します。
ご注文の際は弊社営業までお問合せ下さい。
The ordering code is different depending on the specification of the harness.
When ordering, please consult our sales representative.

Looking for pricing, stock, or lifecycle information?

Click below to explore more details on WIN SOURCE:

-  [View 248040602001829+ on WIN SOURCE](#)
-  [AVX Corp/Kyocera Corp Information](#)

Optimize Your Supply Chain with WIN SOURCE Solutions

-  Global Sourcing Solution
-  Obsolete Management
-  Cost Control Management
-  Shortage Management
-  Alternative Solution
-  Excess Inventory Management