



**THE DATASHEET OF  
XRT6164AIDTR-F**





# XRT6164A

## Digital Line Interface Transceiver

October 2007

### FEATURES

- Single 5V Supply
- Compatible with CCITT G.703 64Kbps Co-Directional Interface Recommendation When Used With Either XRT6165 or XRT6166
- Low Power
- Converts Balanced CMOS Transmit and Receive Signals Propagated Over Two Twisted Pair Cables to TTL Compatible Dual-Rail Data
- Links Remote Equipment Equipped With CCITT G.703 64Kbps Co-Directional Interfaces Over Distances Up to 500 Meters Without Equalization

- Receive Data Comparator Threshold Storage Provides Ping-Pong Operation Capability
- Loss of Signal Alarm
- Dual Matched Driver Outputs

### APPLICATIONS

- Data Adaption Unit (DAU)
- General Purpose TTL Compatible Line Interface

### GENERAL DESCRIPTION

The XRT6164A is a CMOS analog chip intended for general purpose line interface applications at bit rates up to 1.544Mbps (T1). It contains both receive and transmit circuitry in a 16-pin dual-in-line plastic (PDIP) package. The receiver is designed for short line applications having a cable loss up to 10dB measured at the half bit rate. The transmitter has open collector line driver outputs that are capable of handling up to 40mA. When used in conjunction with either XRT6165 or XRT6166, the chip set provides a 64Kbps codirectional interface as specified in CCITT G.703.

### ORDERING INFORMATION

Part No.	Package	Operating Temperature Range
XRT6164AIP	16-Lead 300 Mil PDIP	-40° C to +85° C
XRT6164AID	16-Lead 300 Mil JEDEC SOIC	-40° C to +85° C

Rev. 3.0.1

## Block Diagram

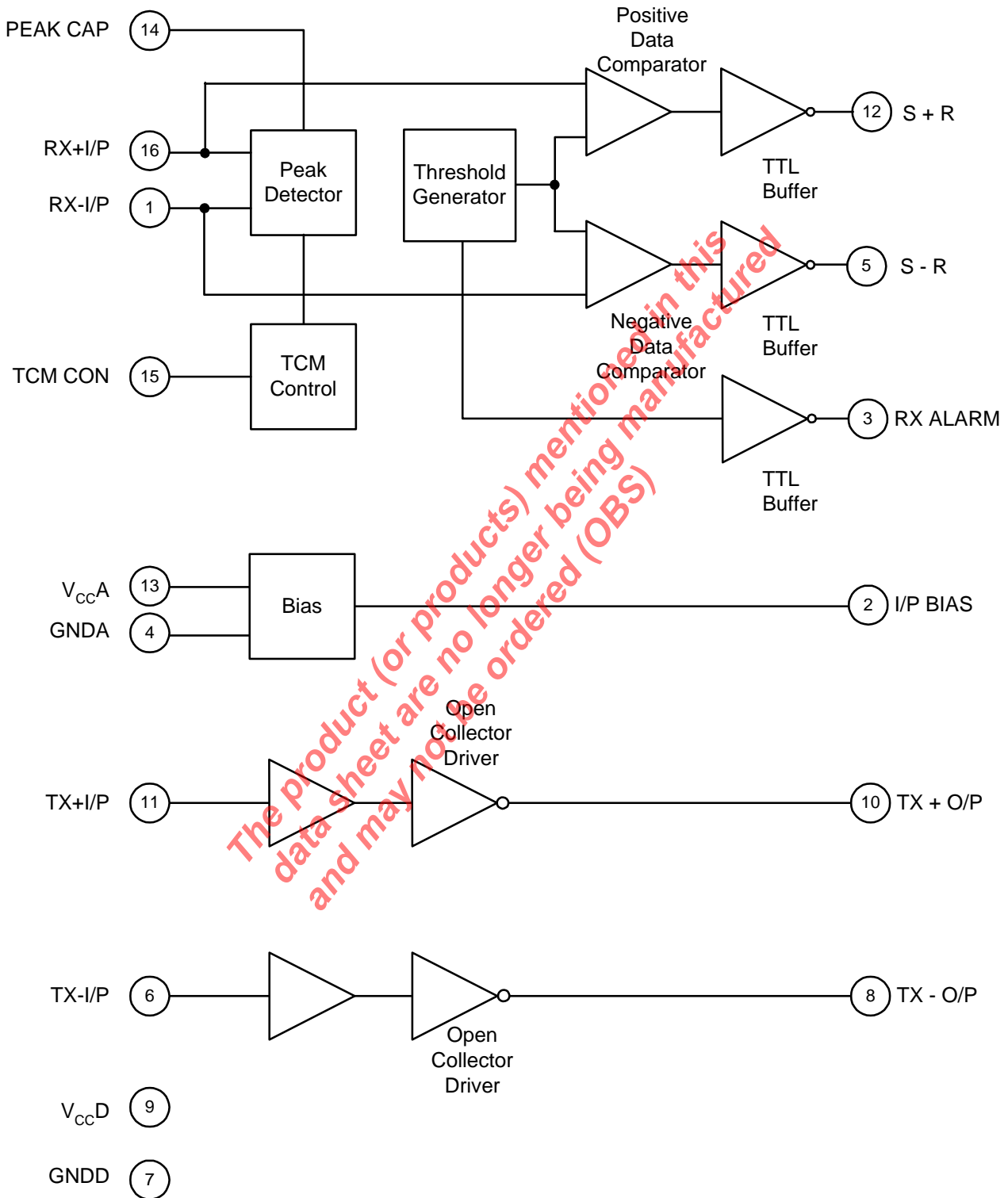
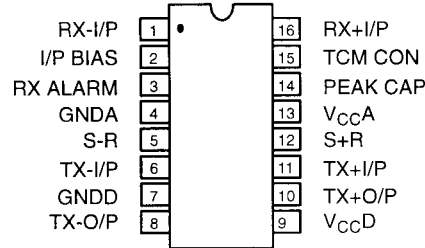
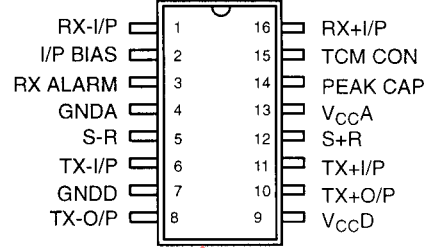


Figure 1. XRT6164A Block Diagram

## PIN CONFIGURATION



16 Lead PDIP (0.300")



16 Lead SOIC (Jedec, 0.300")

## PIN DESCRIPTION

Pin#	Symbol	Type	Description
1	RX-I/P	I	<b>Receiver Negative CMOS Input.</b> Line analog input.
2	I/P BIAS	O	<b>Receive Input Bias.</b> Connects to center tap of input transformer secondary winding.
3	RXALARM	O	<b>Loss of Signal Alarm.</b> Active low.
4	GNDA		<b>Analog Ground.</b>
5	SR	O	<b>Receive Negative Data Output.</b> Output from negative CMOS input pulses (active low).
6	TX-I/P	I	<b>Transmit Negative Input Data.</b> Input for negative output driver (active high).
7	GNDD		<b>Digital Ground.</b>
8	TX-O/P	O	<b>Transmit Negative Output Driver.</b> Open collector, drives output transformer primary.
9	V <sub>cc</sub> D		<b>+5V +/-5% Digital Supply.</b>
10	TX+O/P	O	<b>Transmit Positive Output Driver.</b> Open collector, drives output transformer primary.
11	TX+I/P	I	<b>Transmit Positive Input Data.</b> Input for positive output driver (active high).
12	S+R	O	<b>Receive Positive Data Output.</b> Output from positive CMOS input pulses (active low).
13	V <sub>cc</sub> A		<b>+5V +/-5% Analog Supply.</b>
14	PEAKCAP		<b>Peak Detector Capacitor.</b> Stores peak detector voltage.
15	TCM CON	I	<b>Time Compression Multiplex Control.</b> When active, disconnects peak detector charge and discharge paths (active low).
16	RX+I/P	I	<b>Receiver Positive CMOS Input.</b> Line analog input.

## ELECTRICAL CHARACTERISTICS

Test Conditions:  $V_{CC} = 5V \pm 5\%$ ,  $T_A = 25^\circ C$ , Unless Otherwise Specified

Parameters	Min.	Typ.	Max.	Units	Conditions
<b>DC Electrical Characteristics</b>					
Supply Voltage	4.75	5	5.25	V	
Analog Supply Current		<b>7</b>	<b>10</b>	mA	
Digital Supply Current		<b>17</b>	<b>22</b>	mA	
<b>Receiver</b>					
Input Signal		1	2.2	Vp	Measured from Pins 1 or 16 with Respect to Pin 2
Dynamic Range			10	dB	Maximum Cable Loss Range
Input Impedance		20		k $\Omega$	Measured Between Pins 1 and 16
Input Slicing Threshold		50		%	Percent of Peak Input Signal Amplitude
Input Bias Voltage		<b>1.45</b>		V	Measured at Pin 2
Loss of Signal Alarm Threshold		150		mVp	Measured from Pins 1 or 16 with Respect to Pin 2
Loss of Signal Alarm Level Hysteresis		1.5		dB	Difference Between Alarm-on and Alarm-off Levels
Peak Detector Leakage		-80		$\mu A$	
Data Output Low			<b>0.4</b>	V	Measured at Pins 5 or 12, $I_{OUT} = +1.6mA$
Data Output High	<b>3.0</b>			V	Measured at Pins 5 or 12, $I_{OUT} = -40\mu A$
Alarm Output Low			<b>0.4</b>	V	Measured at Pin 3; $I_{OUT} = +1.6mA$
Alarm Output High	$V_{CC} - 0.5$			V	Measured at Pin 3; $I_{OUT} = -40\mu A$
TCM Input Low Voltage			<b>0.8</b>	V	Measured at Pin 15; $I_{IN} Min = -500\mu A$ , $I_{IN} Max = +5\mu A$
<b>Transmitter</b>					
Input Low Voltage			<b>0.8</b>	V	Measured at Pins 6, 11; $I_{IN} = -700\mu A$
Input High Voltage	2.2			V	Measured at Pins 6, 11; $I_{IN} = +5\mu A$
Output Low Voltage			<b>1.2</b>	V	Measured at Pins 8, 10; $I_{OUT} = -40mA$
Output Low Current			40	mA	Measured at Pins 8, 10; $V_{OUT} = 1V$
Output Leakage Current	<b>-100</b>			$\mu A$	Measured at Pins 8, 10; $V_{OUT} = 10V$ Outputs in off state
<b>AC Electrical Characteristics</b>					
<b>Receiver</b>					
Input Level		1	2.2	Vp	Pin 1, 16 with Respect to Pin 2 1
Output Rise Time			<b>80</b>	ns	Pins 5, 12; C L = 15pF, 10% to 90%
Output Fall Time			80	ns	Pins 5, 12; C L = 15pF, 90% to 10%

### Notes:

1. Higher input voltages are possible if a resistive input attenuator is used.

**Bold face parameters** are covered by production test and guaranteed over operating temperature range.

## ELECTRICAL CHARACTERISTIC (CONT'D)

Parameters	Min.	Typ.	Max.	Units	Conditions
<b>AC Electrical Characteristics (Cont'd)</b>					
<b>Transmitter</b>					
Output Rise Time			<b>80</b>	ns	Pins 8, 10; R <sub>L</sub> = 130, C <sub>L</sub> = 15pF, 10% to 90%
Output Fall Time			<b>80</b>	ns	Pins 8, 10; R <sub>L</sub> = 130, C <sub>L</sub> = 15pF, 90% to 10%
Rising Edge Delay			<b>100</b>	ns	Pins 8, 10; R <sub>L</sub> = 130, C <sub>L</sub> = 15pF, 50% to 50% (I/P to O/P)
Falling Edge Delay			<b>100</b>	ns	Pins 8, 10; R <sub>L</sub> = 130, C <sub>L</sub> = 15pF, 50% to 50% (I/P to O/P)

**Notes:**

Bold face parameters are covered by production test and guaranteed over operating temperature range.  
 Specifications are subject to change without notice

### ABSOLUTE MAXIMUM RATINGS

Supply Voltage ..... 20V  
 Storage Temperature ..... -65°C to +150°C

### Magnetic Supplier Information:

Pulse  
 Telecom Product Group  
 P.O. Box 12235  
 San Diego, CA 92112  
 Tel. (619) 674-8100  
 Fax. (619) 674-8262

Transpower Technologies, Inc.  
 24 Highway 28, Suite 202  
 Crystal Bay, NV 89402-0187  
 Tel. (702) 831-0140  
 Fax. (702) 831-3521

The product (or products) mentioned in this data sheet are no longer being manufactured and may not be ordered.

## SYSTEM DESCRIPTION

The XRT6164A is a general purpose line interface chip that contains the receive and transmit circuitry necessary to convert TTL logic levels to a CMOS signal both to and from a twisted pair cable.

### Receiver

The XRT6164A receiver section converts a balanced CMOS signal that has been attenuated and distorted by up to 10dB of twisted pair cable to active-low TTL-compatible logic levels.

The cable is transformer coupled to the receiver differential inputs (RX+IP, RX-IP) which are biased through the input transformer secondary winding by a voltage generated on-chip (I/P BIAS). The CMOS receive signal is applied to a peak detector, and to a pair of data comparators. The peak detector output voltage charges an external capacitor connected to PEAK CAP. This voltage generates a data comparator bias level that is approximately 50% of the peak input pulse amplitude.

Thus, data slicing is automatically accomplished at the optimum level over the full cable loss range. TTL-compatible output stages buffer the receiver digital outputs (S+R, S-R) and provide active low signals corresponding to received positive and negative input pulses.

Loss of input signal is detected by a comparator that monitors input signal level. An active-low TTL-compatible logic level (RX ALARM) indicates signal loss. Comparator hysteresis prevents chatter on this output. Ping-pong operation is made possible by the time compression multiplex control input (TCM CON). A logic 0 applied to this pin during transmission stores the peak detector output voltage by disconnecting the peak detector storage capacitor charge and discharge paths.

Since the receive data comparator bias voltage is stored during transmit mode, it is immediately available when receive mode resumes.

### Transmitter

The XRT6164A transmitter section contains two matched open collector output drivers that are capable of driving the line transformer directly with a current up to 40mA. The transmitter output drivers include diode clamps to ensure non-saturating operation. Transmitter digital inputs, which are active-low, are TTL-compatible. External resistors are used between the transmitter outputs and the output transformer primary to set the output pulse amplitude.

## APPLICATION INFORMATION

*Figure 2* shows a general line driver application circuit using the XRT6164A. This device converts CMOS transmit and receive signals in the 64Kbps to 1.544Mbps range to active-low TTL-compatible logic levels. CMOS signals that have been attenuated and distorted by twisted pair cable are transformer-coupled to the line side of the XRT6164A as shown on the left side of *Figure 2*. Suggested transformers for both the input and output applications are the Pulse types PE-65535 or TTI-7147 for 64Kbps use and the PE-65835 for 1.544Mbps applications.

The right side of *Figure 2* shows the TTL-compatible digital inputs and outputs. Please refer to the pin description section of this data sheet for detailed information about each signal.

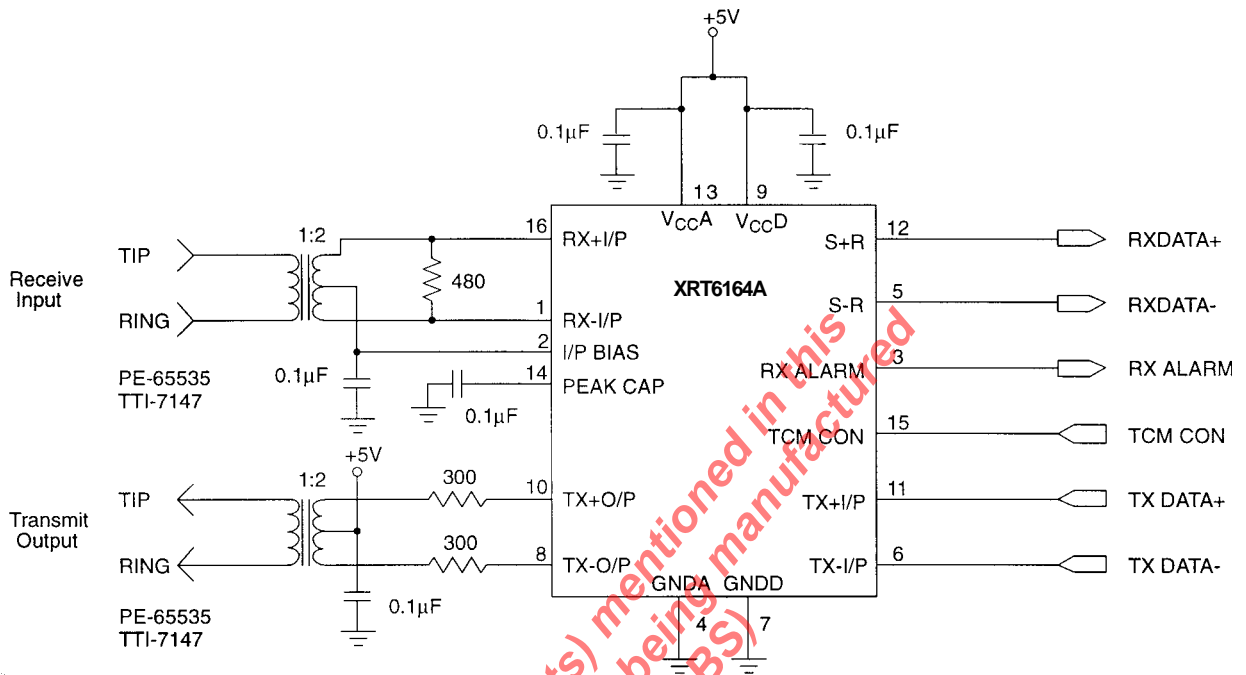
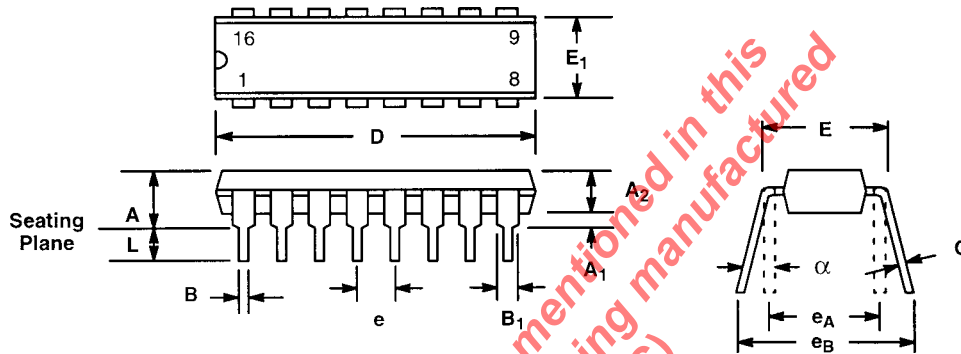


Figure 2. XRT6164A Line Driver Application

The product (or products) mentioned in this data sheet are no longer being manufactured and may not be ordered (OBS)

## 16 LEAD PLASTIC DUAL-IN-LINE (300 MIL PDIP)

Rev. 1.00

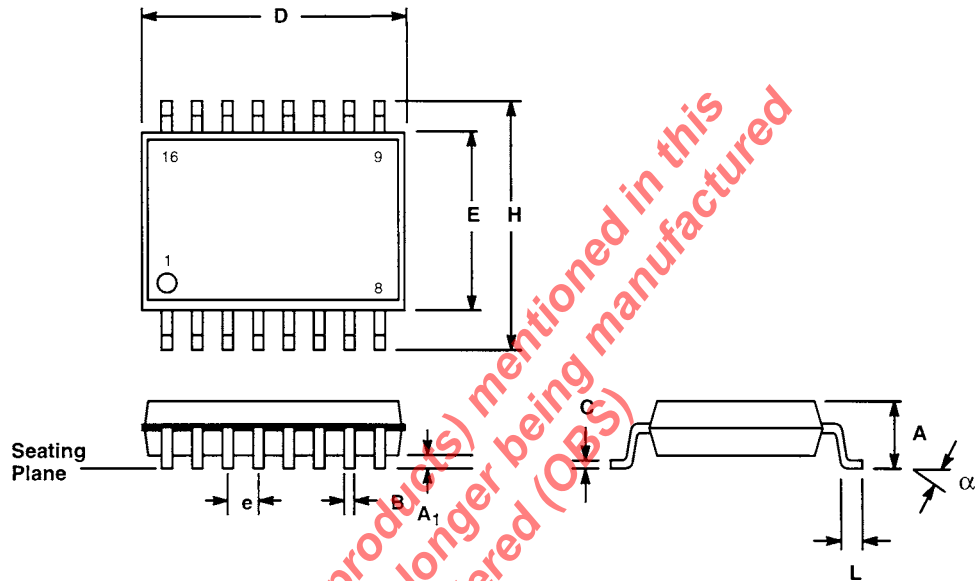


SYMBOL	INCHES		MILLIMETERS	
	MIN	MAX	MIN	MAX
A	0.145	0.210	3.68	5.33
A1	0.015	0.070	0.38	1.78
A 2	0.115	0.195	2.92	4.95
B	0.014	0.024	0.36	0.56
B1	0.030	0.070	0.76	1.78
C	0.008	0.014	0.20	0.38
D	0.745	0.840	18.92	21.34
E	0.300	0.325	7.62	8.26
E 1	0.240	0.280	6.10	7.11
e	0.100 BSC		2.54 BSC	
e A	0.300 BSC		7.62 BSC	
e B	0.310	0.430	7.87	10.92
L	0.115	0.160	2.92	4.06
$\alpha$	0°	15°	0°	15°

**Note:** The control dimension is the inch column

## 16 LEAD SMALL OUTLINE (300 MIL JEDEC SOIC)

Rev. 1.00



SYMBOL	INCHES		MILLIMETERS	
	MIN	MAX	MIN	MAX
A	0.093	0.104	2.35	2.65
A1	0.004	0.012	0.10	0.30
B	0.013	0.020	0.33	0.51
C	0.009	0.013	0.23	0.32
D	0.398	0.413	10.10	10.50
E	0.291	0.299	7.40	7.60
e	0.050 BSC		1.27 BSC	
H	0.394	0.419	10.00	10.65
L	0.016	0.050	0.40	1.27
$\alpha$	0°	8°	0°	8°

Note: The control dimension is the millimeter column

*The product (or products) mentioned in this  
data sheet are no longer being manufactured  
and may not be ordered (OBS)*

## NOTICE

EXAR Corporation reserves the right to make changes to the products contained in this publication in order to improve design, performance or reliability. EXAR Corporation assumes no responsibility for the use of any circuits described herein, conveys no license under any patent or other right, and makes no representation that the circuits are free of patent infringement. Charts and schedules contained here in are only for illustration purposes and may vary depending upon a user's specific application. While the information in this publication has been carefully checked; no responsibility, however, is assumed for inaccuracies.

EXAR Corporation does not recommend the use of any of its products in life support applications where the failure or malfunction of the product can reasonably be expected to cause failure of the life support system or to significantly affect its safety or effectiveness. Products are not authorized for use in such applications unless EXAR Corporation receives, in writing, assurances to its satisfaction that: (a) the risk of injury or damage has been minimized; (b) the user assumes all such risks; (c) potential liability of EXAR Corporation is adequately protected under the circumstances.

Copyright 2007 EXAR Corporation

Datasheet October 2007

Reproduction, in part or whole, without the prior written consent of EXAR Corporation is prohibited.

## Looking for pricing, stock, or lifecycle information?

Click below to explore more details on WIN SOURCE:

 [View XRT6164AIDTR-F on WIN SOURCE](#)

 [Exar Corporation](#) Information

## Optimize Your Supply Chain with WIN SOURCE Solutions

-  Global Sourcing Solution
-  Obsolete Management
-  Cost Control Management
-  Shortage Management
-  Alternative Solution
-  Excess Inventory Management