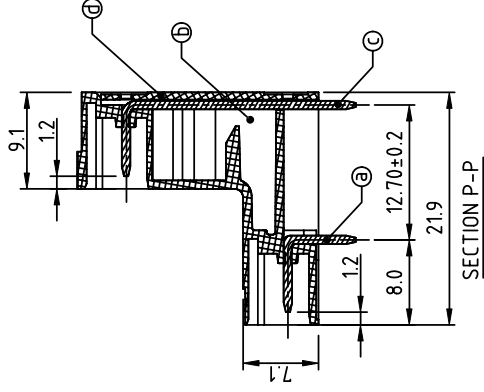
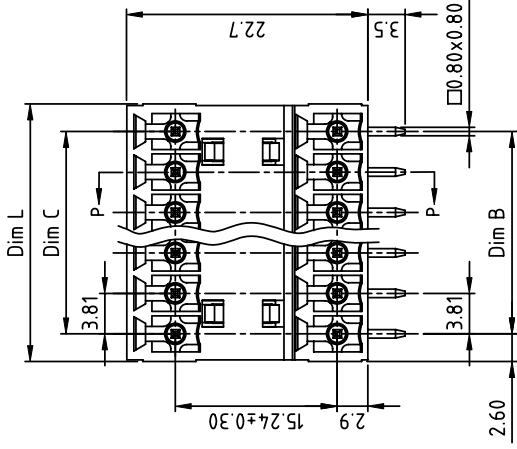
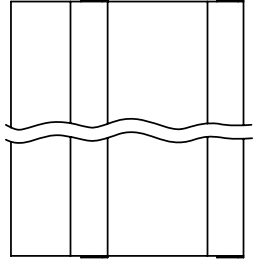




**THE DATASHEET OF  
VO2631510000G**



PRODUCT NUMBER	PITCH
VOxx31x100J0G	3.81 mm



Dimension	
Dim L	N/2x3.81±1.39
Dim B	(N/2-1)x3.81
Dim C	(N/2-1)x3.81

N=Number of poles

Poles	Tolerance
2x2P-2x5P	±0.15
2x6P-2x10P	±0.20
2x11P-2x15P	±0.25
2x16P-2x20P	±0.30
2x21P-2x24P	±0.35

PART NO.: VO XX 31 X 1 00J0 G

- Solid block
  - No. of poles
  - 04 2x2poles
  - 06 2x3poles
  - ... ..
  - 48 2x24poles
- Color
  - 0 Black (RAL9005)
  - 2 Red (RAL3001/D)
  - 3 Orange(RAL2011/P)
  - 4 Yellow(RAL1018/A)
  - 5 Green(RAL6018/T)
  - 6 Blue (RAL5015/A)
  - 8 Grey(RAL7035/D)
  - 9 White(RAL1102)
  - C Green(RAL6018/U)
- RoHS compliant (lead<4%)
  - In copper Alloy

mat'l. code		t		surface	
itr	ecn no	dr	date	ASME	Y14.5
				tolerances unless	otherwise
				angles	>
				X	X
				X	X
				dr	EVIN ZHON
				engr	EVIN ZHON
				chr	HANKE FEN
				appd	SHI JUN
sheet	revision	A			
index	sheet	1			

form: A4mmXLc

1

2

PDS: Rev

## Looking for pricing, stock, or lifecycle information?

Click below to explore more details on WIN SOURCE:

- ⊖ [View VO2631510000G on WIN SOURCE](#)
- ⊖ [Amphenol Anytek Information](#)

## Optimize Your Supply Chain with WIN SOURCE Solutions

- ✓ Global Sourcing Solution
- ✓ Obsolete Management
- ✓ Cost Control Management
- ✓ Shortage Management
- ✓ Alternative Solution
- ✓ Excess Inventory Management