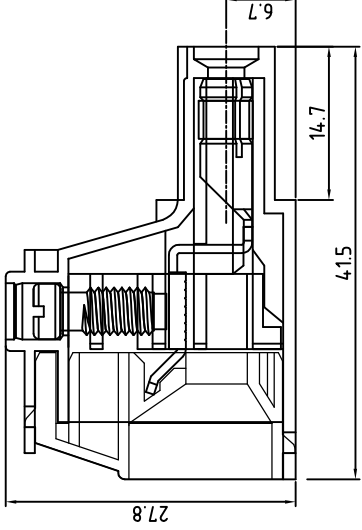
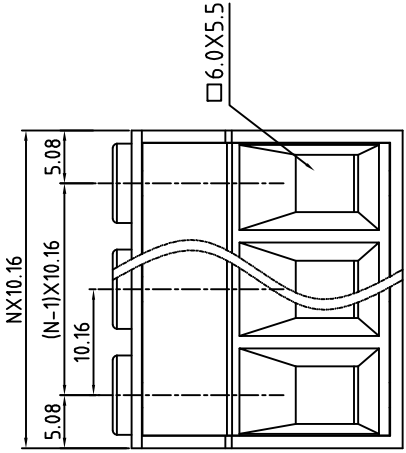
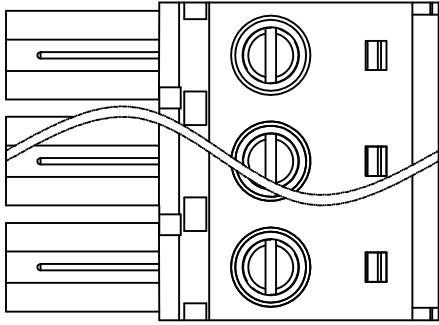




**THE DATASHEET OF
OSTEV246150**



Transfer or duplication of this document as well as the utilisation or communication of its content are not permitted unless express consent is granted. Violations give rise to claims for damages. All rights reserved in case of patent, utility model or design patent registrations.



N=Number of contacts

Technical data

- 1.Nominal voltage
- PITCH:10.16mm
- 2.Connection Cap
- 2500VAC(1min) T
- 3.Insulation Resi
- 1000MΩ or more
- 4.Torque: 12kgf.cm
- 5.Operating temper
- 6.Soldering temper
- 7.Safety approval:
- 8.RoHS Compliance

Part No.: **OSTEV**

No. 02
03
... 24
No
Min

Wire Guard	Copper Alloy
Wire Guard	Stainless Steel
Terminal Screw	Steel
Contact (Metal Housing)	Copper Alloy
Pin	Copper Alloy
Housing	Polyamide UL94V
NAME OF PART	MAT
DWG.	DATE
CHK.	DATE
APP.	DATE





ON-SHORE TECHNOLOGY, INC.

REV	Δ	SIGN	DESCRIPTION	CHK.	DATE

Looking for pricing, stock, or lifecycle information?

Click below to explore more details on WIN SOURCE:

-  [View OSTEV246150 on WIN SOURCE](#)
-  [On Shore Technology Inc. Information](#)

Optimize Your Supply Chain with WIN SOURCE Solutions

-  Global Sourcing Solution
-  Obsolete Management
-  Cost Control Management
-  Shortage Management
-  Alternative Solution
-  Excess Inventory Management