



**THE DATASHEET OF
UCC2751D**

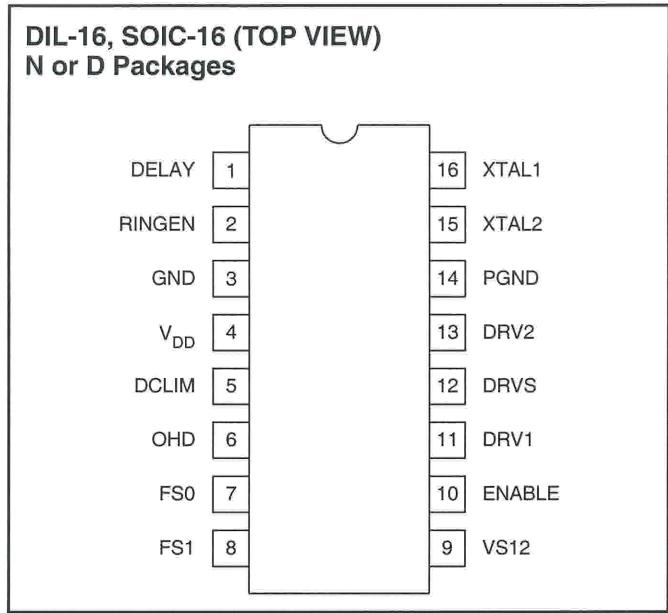


ABSOLUTE MAXIMUM RATINGS

Input Supply Voltage	14V
Analog Inputs (OHD, DCLIM, XTAL1, XTAL2)	
Maximum Forced Voltage	-0.3 to 5V
Logic Inputs	
Maximum Forced Voltage	-0.3 to 7.5V
Reference Output Current (V_{DD})	Internally Limited
Output Current (DRV1, DRV2, DRVS) Pulsed	1.5A
Operating Junction Temperature	-55°C to +125°C
Storage Temperature	-65°C to +150°C

Note: Unless otherwise indicated, voltages are referenced to ground and currents are positive into, negative out of, the specific terminals. Pulsed is defined as a less than 10% duty cycle with a maximum duration of 500 μ S.

CONNECTION DIAGRAM



BLOCK DIAGRAM

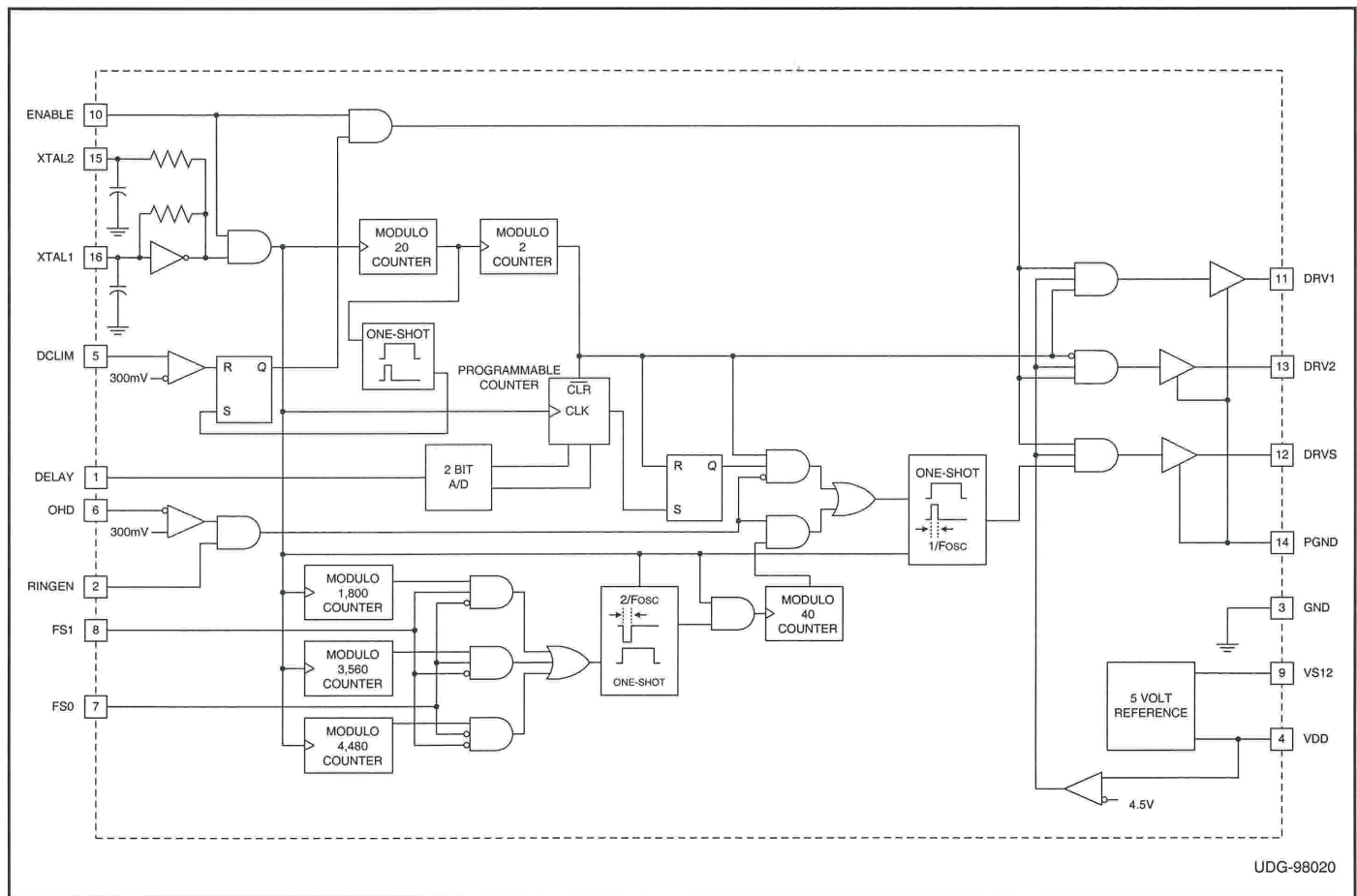


Table I. Frequency selectability decoding.

FS1	FS0	MODE	Sine Wave Frequency (Hz)
0	0	1	20
0	1	1	25
1	0	1	50
1	1	3	0
OHD = 0.5		2	0

RINGEN	OHD	FS1	FS0	FDRVS	FDRV-FDRVS
1	0	0	0	89.469kHz	20Hz
1	0	0	1	89.464kHz	25Hz
1	0	1	0	89.439kHz	50Hz
0	X	X	X	89.489kHz	0.0Hz
X	1	X	X	89.489kHz	0.0Hz

ELECTRICAL CHARACTERISTICS: Unless otherwise stated, these specifications hold for $T_A = 0^\circ\text{C}$ to 70°C for the UCC3751 and -40°C to $+85^\circ\text{C}$ for the UCC2751, $T_A = T_J$.

PARAMETER	TEST CONDITIONS	MIN	TYP	MAX	UNITS
V12 Supply Current Section					
Supply Current	ENABLE = 0V		1.0	3.0	mA
	ENABLE = 5V		1.0	3.0	mA
Internal Reference with External Bypass Section					
Output Voltage (VDD)		4.85	5	5.15	V
Load Regulation	$0\text{mA} \leq I_{VDD} \leq 2\text{mA}$		5	20	mV
Line Regulation	$10\text{V} < V_{S12} < 13\text{V}$, $I_{VDD} = 1\text{mA}$		3	20	mV
Short Circuit Current	$V_{DD} = 0$	5	10		mA
Output Drivers Section (DRV1, DRV2)					
Pull Up Resistance	$I_{LOAD} = 10\text{mA}$ to 20mA		6	15	Ω
Pull Down Resistance	$I_{LOAD} = 10\text{mA}$ to 20mA		6	15	Ω
Rise Time	$C_{LOAD} = 1\text{nF}$		50	100	nS
Fall Time	$C_{LOAD} = 1\text{nF}$		50	100	nS
Output Drivers Section (DRVS)					
Pull Up Resistance	$I_{LOAD} = 10\text{mA}$ to 20mA		4	10	Ω
Pull Down Resistance	$I_{LOAD} = 10\text{mA}$ to 20mA		4	10	Ω
Sample Pulse-Width	Mode 1 and 2, (Note 1)	240	280	320	nS
Rise Time	$C_{LOAD} = 1\text{nF}$		50	100	nS
Fall Time	$C_{LOAD} = 1\text{nF}$		50	100	nS
Current Limit Section					
OHD Threshold		250	300	350	mV
OHD Input Current	$V_{OHD} = 0\text{V}$	-900	-100		nA
DCLIM Threshold		250	300	350	mV
DCLIM Input Current	$V_{DCLIM} = 0\text{V}$	-900	-100		nA
Frequency Section (Note 1)					
Primary Switching Frequency	All cases 3.579545 MHz Crystal		89489		Hz
Sampling Switching Frequency	FS0 = 0, FS1 = 0, Mode 1, (Note 1)		89469		Hz
	FS0 = 1, FS1 = 0, Mode 1		89464		Hz
	FS0 = 0, FS1 = 1, Mode 1		89439		Hz

ELECTRICAL CHARACTERISTICS: Unless otherwise stated, these specifications hold for $T_A = 0^\circ\text{C}$ to 70°C for the UCC3751 and -40°C to $+85^\circ\text{C}$ for the UCC2751, $T_A = T_J$.

PARAMETER	TEST CONDITIONS	MIN	TYP	MAX	UNITS
Off-Hook Sampling Delay (Note 2)					
td0	$V_{\text{DELAY}} < 0.9\text{V}$		0	20	nS
td1	$1.1\text{V} < V_{\text{DELAY}} < 1.9\text{V}$	252	280	308	nS
td2	$2.1\text{V} < V_{\text{DELAY}} < 2.9\text{V}$	504	560	616	nS
td3	$3.1\text{V} < V_{\text{DELAY}} < 3.9\text{V}$	756	840	924	nS
td4	$4.1\text{V} < V_{\text{DELAY}}$	1008	1120	1232	nS

Note 1. Frequency setting is as shown in the Frequency Selectability Decoding Table. Sine Wave Frequency = Primary – Sampling Frequency.

Note 2. The delay function will delay the sample pulse from the rising edge of DRV2 to allow adjustment of the DC level provided during Mode 2.

PIN DESCRIPTIONS

DCLIM: Primary current sense input. Signal proportional to the primary switch current. All outputs are turned off when a threshold of 300mV is exceeded on this pin. This current limit works on a cycle-by-cycle basis.

DELAY: A resistive divider from VDD to GND is programmed and fed into DELAY pin. The voltage at this pin sets the phase difference between the sampling pulses and primary pulses under off-hook condition. By programming the delay, desired level of DC voltage can be attained at the ringer output when the OHD threshold is exceeded.

DRV1, DRV2: Low impedance driver outputs for the primary switches.

DRVS: Low impedance driver output for the sampling switch(es). The pulse width of this output is 280ns. Typically, a pulse transformer is used to couple the short sampling pulses at DRVS to the floating sampling switch(es).

ENABLE: Logic input which turns off the outputs when low.

FS0, FS1: Frequency select pins for determining the difference frequency between primary and secondary pulses under normal operation. These pins can be hard-wired to GND or VDD to get one of the available output

frequencies (20,25 and 50 Hz). See Note 1 in the spec table.

GND: Reference point for all the internal voltages and common return for the device.

OHD: Secondary current sense input. Voltage proportional to output current DC level is fed into this pin and compared to an internal threshold of 300mV. If the threshold is exceeded, the sampling scheme is changed to eliminate the AC component in the output voltage as required by the off-hook condition.

PGND: Return point for the output drivers. Connect to GND at a single point in the circuit.

RINGEN: Logic input used to determine when the ring signal is needed. When this signal is high and OHD low, normal ring signal is available at the output of the ring generator.

VDD: Internal regulated 5V supply. This voltage is used to power all the internal precision circuits of the IC. This pin needs to be bypassed to GND with ceramic capacitor.

VS12: External 12V power supply for the IC. Powers V_{DD} and provides voltage for the output drivers.

XTAL1, XTAL2: Pins for connecting precision Crystal to attain the accurate output frequencies. An external square-wave pulse can also be applied to XTAL2 if XTAL1 is tied to $V_{\text{DD}}/2$.

APPLICATION INFORMATION

Power Stage Operation

The power stage used for the UCC3751 application has two distinct switching circuits which together produce the required low frequency signal on the output. The primary side switching circuit consists of a current fed push-pull resonant circuit that generates the high frequency sinusoidal waveform across the transformer winding. The operation of this type of circuit is extensively covered in Unitrode Application notes U-141 and U-148. Resonant components C_{R1} , C_{R2} , L_R , N should be chosen so that the primary and secondary resonances are well matched. Also, for the UCC3751 operation, switching frequency is fixed by crystal selection. So, the resonant components must be selected to yield a resonant frequency close enough to the switching frequency to get a low distortion sine-wave. Practically, since it is impossible to get an exact match between the two frequencies, the switching frequency should always be higher than the resonant frequency to ensure low distortion and take advantage of ZVT operation. Switches Q1 and Q2 are pulsed at 50% duty cycle at the switching frequency (89.489 kHz) determined by a crystal (3.579545 MHz) connected to the UCC3751. The input voltage for the resonant stage (typically 12V) determines the voltage stress of Q1 and Q2. Transformer turns ratio is determined by the output voltage requirements. On the secondary side, the high frequency waveform is sampled at a predetermined frequency (e.g. 89.469 kHz) which differs from the primary switching frequency by the desired output frequency (e.g. 20 Hz). The sampling is accomplished using a bi-directional switching circuit as shown in Figure 2 and Figure 3. Figure 2 shows the sampling mechanism consisting of two back-to-back FET switches allowing current flow in both directions. The sampling can also be done with a single active switch and a full-bridge rectifier as shown in Fig. 3. The DRVS pin of the UCC3751 provides the drive signal for the sampling switch(es) and this signal is coupled through a pulse

transformer. Typical pulsewidth of the sampling signal is 280ns. As a result of sampling, the resultant output signal matches the secondary voltage in amplitude and has a low output frequency desired for ring generation.

The secondary winding of the power transformer also has a tap (or a separate winding) to generate a loosely regulated DC voltage. This DC voltage can be used to offset the ring generator output. The UCC3751 is also configured such that the AC output can go to zero under certain conditions. Table 2 provides the logic levels for different operating modes of UCC3751. Operation in mode 2 is achieved by altering the sampling frequency to match the switching frequency and sampling the secondary AC voltage at zero crossings. As a result, the resultant total output voltage between V_{OUT} and GND is the semi-regulated DC voltage achieved through the tapped secondary. This feature allows the circuit to operate under off-hook and idle conditions when only the DC portion of the voltage is required. The activation of this mode occurs when the OHD voltage exceeds a set threshold or RINGEN is low. The incorporation of this mode eliminates any need for external relays or switching circuits as well as eliminating the need for an additional power supply for powering the phone. The DC voltage level can be fine tuned by adjusting the voltage on the DELAY pin of the UCC3751. This pin sets the sampling delay time during the off-hook mode and allows a DC voltage to be developed between V_1 and V_{OUT} during this mode. Fig. 1 illustrates the operation of this mode. When the DELAY is set between 0 and 1V, the sampling is done in phase with the primary switching instances (at points A), leading to an average voltage of 0V between V_1 and V_{OUT} for a sinusoidal secondary signal. If DELAY is set to another level, the sampling instance shifts (e.g. to point B) leading to an effective voltage V_B being developed between V_1 and V_{OUT} . The actual V_{OUT} is the sum of V_B and the DC offset voltage derived from the additional (or tapped) winding (V_1).

Table II. Operating mode selection.

Condition	OHD	RINGEN	Sampling Output Mode
Continuous Ringing	Low	High	Frequency Offset from Primary (Mode 1)
Idle (On Hook, No Ringing)	Low	Low	Synchronized to Primary Frequency with Phase Controlled by DELAY (Mode 2)
Off-Hook	High	X (Low/High)	Mode 2
Cadenced Ringing	Low	High/Low	Mode 1/Mode 2

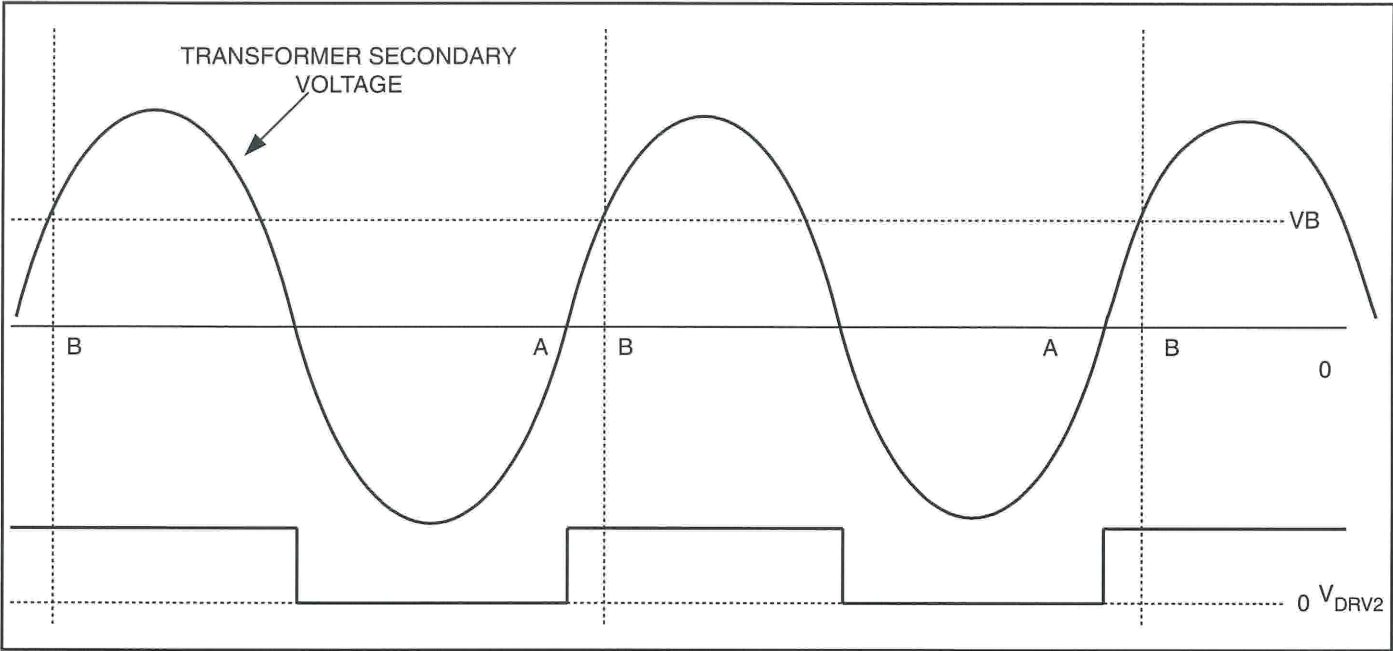


Figure 1. Effects of sampling delay during off-hook operation.

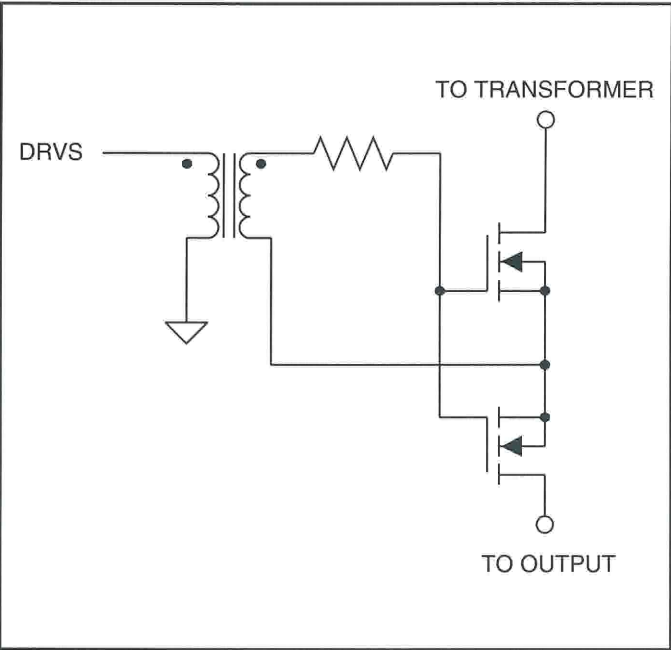


Figure 2. Sampling circuit with two FETs.

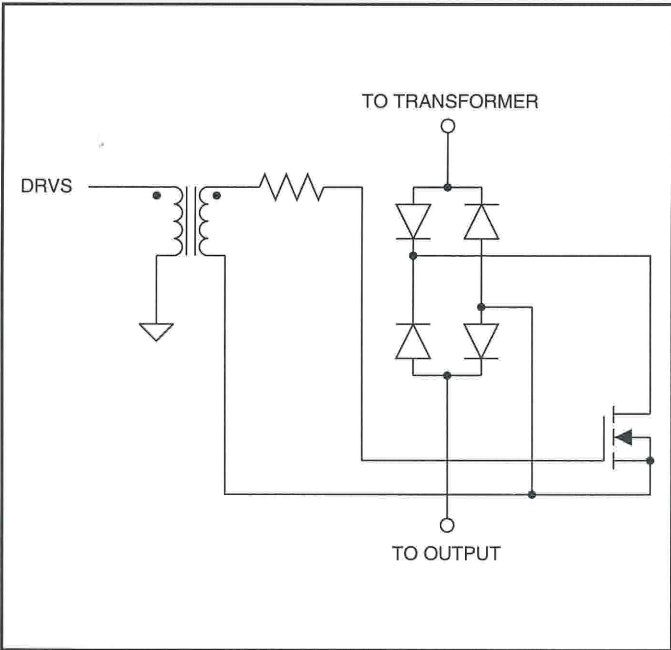


Figure 3. Sampling circuit with single FET and full-bridge rectifier.

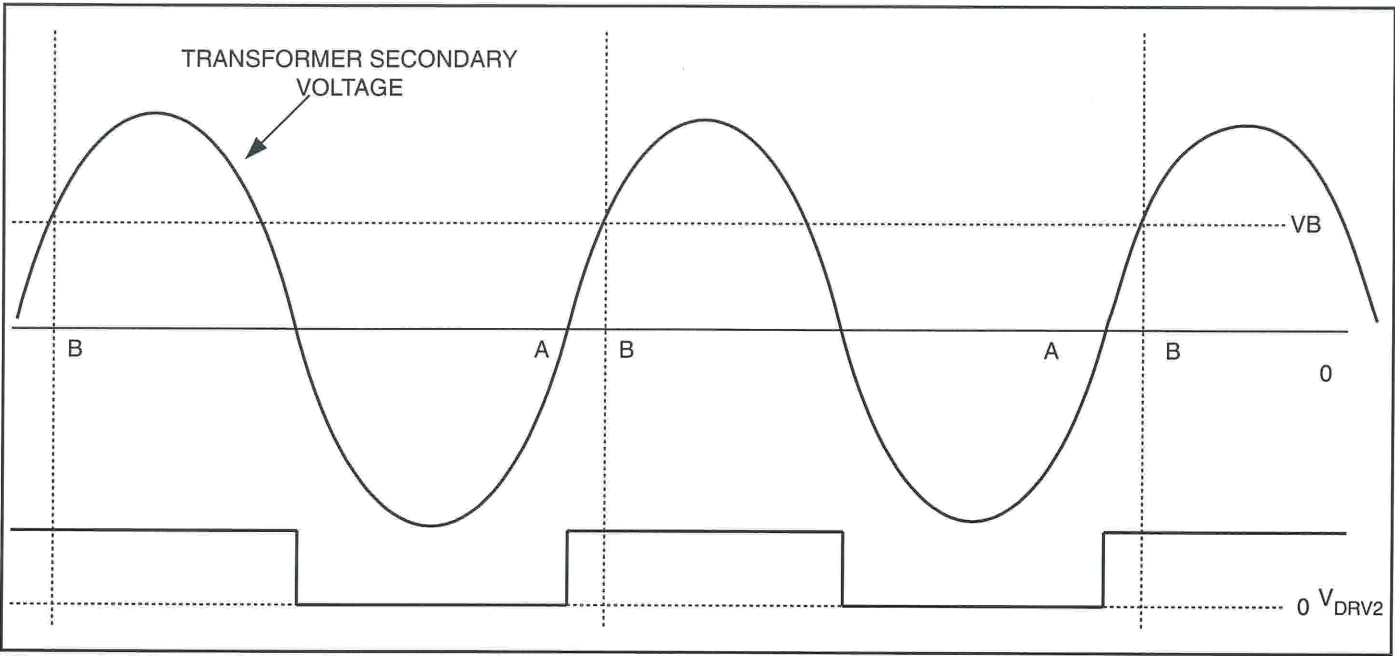


Figure 1. Effects of sampling delay during off-hook operation.

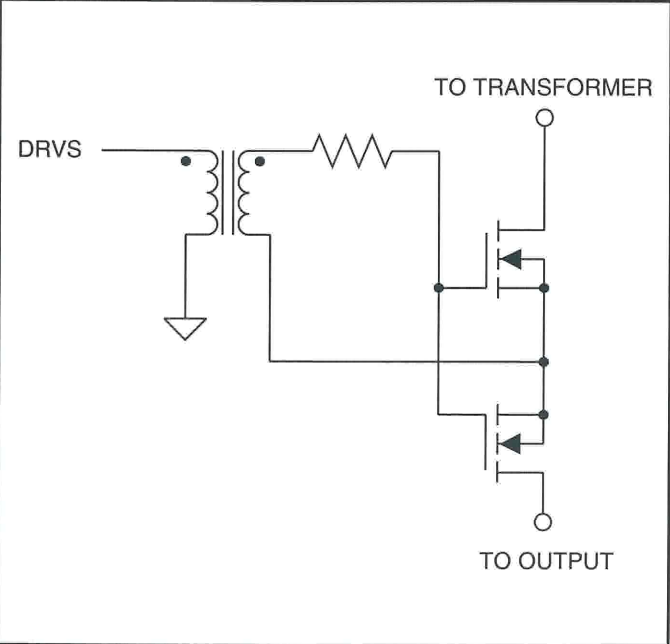


Figure 2. Sampling circuit with two FETs.

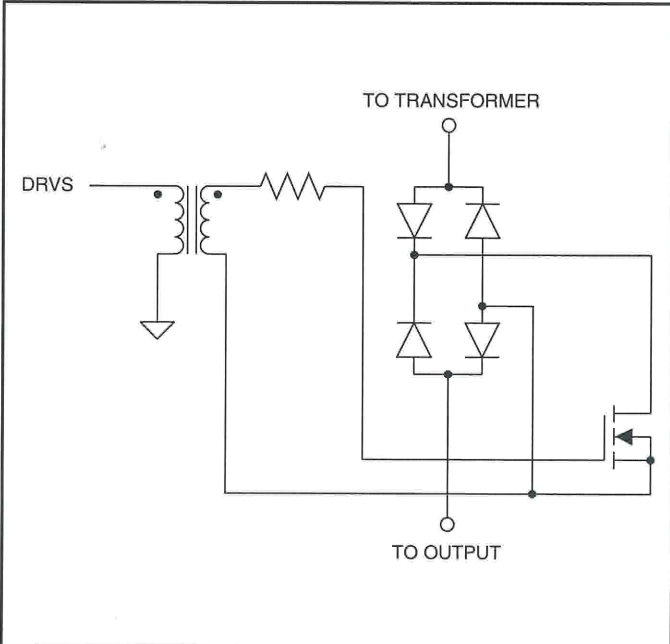


Figure 3. Sampling circuit with single FET and full-bridge rectifier.

PACKAGING INFORMATION

Orderable Device	Status ⁽¹⁾	Package Type	Package Drawing	Pins	Package Qty	Eco Plan ⁽²⁾	Lead/Ball Finish	MSL Peak Temp ⁽³⁾
UCC2751D	NRND	SOIC	D	16	40	Green (RoHS & no Sb/Br)	CU NIPDAU	Level-2-260C-1 YEAR
UCC2751DG4	NRND	SOIC	D	16	40	Green (RoHS & no Sb/Br)	CU NIPDAU	Level-2-260C-1 YEAR
UCC3751D	NRND	SOIC	D	16	40	Green (RoHS & no Sb/Br)	CU NIPDAU	Level-2-260C-1 YEAR
UCC3751DG4	NRND	SOIC	D	16	40	Green (RoHS & no Sb/Br)	CU NIPDAU	Level-2-260C-1 YEAR
UCC3751N	NRND	PDIP	N	16	25	Green (RoHS & no Sb/Br)	CU NIPDAU	N / A for Pkg Type
UCC3751NG4	NRND	PDIP	N	16	25	Green (RoHS & no Sb/Br)	CU NIPDAU	N / A for Pkg Type

⁽¹⁾ The marketing status values are defined as follows:

ACTIVE: Product device recommended for new designs.

LIFEBUY: TI has announced that the device will be discontinued, and a lifetime-buy period is in effect.

NRND: Not recommended for new designs. Device is in production to support existing customers, but TI does not recommend using this part in a new design.

PREVIEW: Device has been announced but is not in production. Samples may or may not be available.

OBSOLETE: TI has discontinued the production of the device.

⁽²⁾ Eco Plan - The planned eco-friendly classification: Pb-Free (RoHS), Pb-Free (RoHS Exempt), or Green (RoHS & no Sb/Br) - please check <http://www.ti.com/productcontent> for the latest availability information and additional product content details.

TBD: The Pb-Free/Green conversion plan has not been defined.

Pb-Free (RoHS): TI's terms "Lead-Free" or "Pb-Free" mean semiconductor products that are compatible with the current RoHS requirements for all 6 substances, including the requirement that lead not exceed 0.1% by weight in homogeneous materials. Where designed to be soldered at high temperatures, TI Pb-Free products are suitable for use in specified lead-free processes.

Pb-Free (RoHS Exempt): This component has a RoHS exemption for either 1) lead-based flip-chip solder bumps used between the die and package, or 2) lead-based die adhesive used between the die and leadframe. The component is otherwise considered Pb-Free (RoHS compatible) as defined above.

Green (RoHS & no Sb/Br): TI defines "Green" to mean Pb-Free (RoHS compatible), and free of Bromine (Br) and Antimony (Sb) based flame retardants (Br or Sb do not exceed 0.1% by weight in homogeneous material)

⁽³⁾ MSL, Peak Temp. -- The Moisture Sensitivity Level rating according to the JEDEC industry standard classifications, and peak solder temperature.

Important Information and Disclaimer: The information provided on this page represents TI's knowledge and belief as of the date that it is provided. TI bases its knowledge and belief on information provided by third parties, and makes no representation or warranty as to the accuracy of such information. Efforts are underway to better integrate information from third parties. TI has taken and continues to take reasonable steps to provide representative and accurate information but may not have conducted destructive testing or chemical analysis on incoming materials and chemicals. TI and TI suppliers consider certain information to be proprietary, and thus CAS numbers and other limited information may not be available for release.

In no event shall TI's liability arising out of such information exceed the total purchase price of the TI part(s) at issue in this document sold by TI to Customer on an annual basis.

IMPORTANT NOTICE

Texas Instruments Incorporated and its subsidiaries (TI) reserve the right to make corrections, modifications, enhancements, improvements, and other changes to its products and services at any time and to discontinue any product or service without notice. Customers should obtain the latest relevant information before placing orders and should verify that such information is current and complete. All products are sold subject to TI's terms and conditions of sale supplied at the time of order acknowledgment.

TI warrants performance of its hardware products to the specifications applicable at the time of sale in accordance with TI's standard warranty. Testing and other quality control techniques are used to the extent TI deems necessary to support this warranty. Except where mandated by government requirements, testing of all parameters of each product is not necessarily performed.

TI assumes no liability for applications assistance or customer product design. Customers are responsible for their products and applications using TI components. To minimize the risks associated with customer products and applications, customers should provide adequate design and operating safeguards.

TI does not warrant or represent that any license, either express or implied, is granted under any TI patent right, copyright, mask work right, or other TI intellectual property right relating to any combination, machine, or process in which TI products or services are used. Information published by TI regarding third-party products or services does not constitute a license from TI to use such products or services or a warranty or endorsement thereof. Use of such information may require a license from a third party under the patents or other intellectual property of the third party, or a license from TI under the patents or other intellectual property of TI.

Reproduction of TI information in TI data books or data sheets is permissible only if reproduction is without alteration and is accompanied by all associated warranties, conditions, limitations, and notices. Reproduction of this information with alteration is an unfair and deceptive business practice. TI is not responsible or liable for such altered documentation. Information of third parties may be subject to additional restrictions.

Resale of TI products or services with statements different from or beyond the parameters stated by TI for that product or service voids all express and any implied warranties for the associated TI product or service and is an unfair and deceptive business practice. TI is not responsible or liable for any such statements.

TI products are not authorized for use in safety-critical applications (such as life support) where a failure of the TI product would reasonably be expected to cause severe personal injury or death, unless officers of the parties have executed an agreement specifically governing such use. Buyers represent that they have all necessary expertise in the safety and regulatory ramifications of their applications, and acknowledge and agree that they are solely responsible for all legal, regulatory and safety-related requirements concerning their products and any use of TI products in such safety-critical applications, notwithstanding any applications-related information or support that may be provided by TI. Further, Buyers must fully indemnify TI and its representatives against any damages arising out of the use of TI products in such safety-critical applications.

TI products are neither designed nor intended for use in military/aerospace applications or environments unless the TI products are specifically designated by TI as military-grade or "enhanced plastic." Only products designated by TI as military-grade meet military specifications. Buyers acknowledge and agree that any such use of TI products which TI has not designated as military-grade is solely at the Buyer's risk, and that they are solely responsible for compliance with all legal and regulatory requirements in connection with such use.

TI products are neither designed nor intended for use in automotive applications or environments unless the specific TI products are designated by TI as compliant with ISO/TS 16949 requirements. Buyers acknowledge and agree that, if they use any non-designated products in automotive applications, TI will not be responsible for any failure to meet such requirements.

Following are URLs where you can obtain information on other Texas Instruments products and application solutions:

Products		Applications	
Amplifiers	amplifier.ti.com	Audio	www.ti.com/audio
Data Converters	dataconverter.ti.com	Automotive	www.ti.com/automotive
DLP® Products	www.dlp.com	Communications and Telecom	www.ti.com/communications
DSP	dsp.ti.com	Computers and Peripherals	www.ti.com/computers
Clocks and Timers	www.ti.com/clocks	Consumer Electronics	www.ti.com/consumer-apps
Interface	interface.ti.com	Energy	www.ti.com/energy
Logic	logic.ti.com	Industrial	www.ti.com/industrial
Power Mgmt	power.ti.com	Medical	www.ti.com/medical
Microcontrollers	microcontroller.ti.com	Security	www.ti.com/security
RFID	www.ti-rfid.com	Space, Avionics & Defense	www.ti.com/space-avionics-defense
RF/IF and ZigBee® Solutions	www.ti.com/lprf	Video and Imaging	www.ti.com/video
		Wireless	www.ti.com/wireless-apps

Looking for pricing, stock, or lifecycle information?

Click below to explore more details on WIN SOURCE:

 [View UCC2751D](#) on WIN SOURCE

 [Texas Instruments](#) Information

Optimize Your Supply Chain with WIN SOURCE Solutions

-  Global Sourcing Solution
-  Obsolete Management
-  Cost Control Management
-  Shortage Management
-  Alternative Solution
-  Excess Inventory Management