



**THE DATASHEET OF
TPA6111A2EVM**



***TPA6111A2 MSOP
Audio Power Amplifier
Evaluation Module***

User's Guide

IMPORTANT NOTICE

Texas Instruments and its subsidiaries (TI) reserve the right to make changes to their products or to discontinue any product or service without notice, and advise customers to obtain the latest version of relevant information to verify, before placing orders, that information being relied on is current and complete. All products are sold subject to the terms and conditions of sale supplied at the time of order acknowledgment, including those pertaining to warranty, patent infringement, and limitation of liability.

TI warrants performance of its semiconductor products to the specifications applicable at the time of sale in accordance with TI's standard warranty. Testing and other quality control techniques are utilized to the extent TI deems necessary to support this warranty. Specific testing of all parameters of each device is not necessarily performed, except those mandated by government requirements.

Customers are responsible for their applications using TI components.

In order to minimize risks associated with the customer's applications, adequate design and operating safeguards must be provided by the customer to minimize inherent or procedural hazards.

TI assumes no liability for applications assistance or customer product design. TI does not warrant or represent that any license, either express or implied, is granted under any patent right, copyright, mask work right, or other intellectual property right of TI covering or relating to any combination, machine, or process in which such semiconductor products or services might be or are used. TI's publication of information regarding any third party's products or services does not constitute TI's approval, warranty or endorsement thereof.

Read This First

Information About Cautions and Warnings

This book may contain cautions and warnings.

This is an example of a caution statement.

A caution statement describes a situation that could potentially damage your software or equipment.

This is an example of a warning statement.

A warning statement describes a situation that could potentially cause harm to you.

The information in a caution or a warning is provided for your protection. Please read each caution and warning carefully.

Related Documentation From Texas Instruments

- **TI Plug-N-Play Audio Amplifier Evaluation Platform** (literature number SLOU011) provides detailed information on the evaluation platform and its use with TI audio evaluation modules.
- **TPA6111A2 150-mW Stereo Audio Power Amplifier** (literature number SLOS313) this is the data sheet for the TPA6111A2 audio amplifier integrated circuit.

FCC Warning

This equipment is intended for use in a laboratory test environment only. It generates, uses, and can radiate radio frequency energy and has not been tested for compliance with the limits of computing devices pursuant to subpart J of part 15 of FCC rules, which are designed to provide reasonable protection against radio frequency interference. Operation of this equipment in other environments may cause interference with radio communications, in which case the user at his own expense will be required to take whatever measures may be required to correct this interference.

Contents

1	Introduction	1-1
1.1	Features	1-2
1.2	Description	1-3
1.3	TPA6111A2 MSOP EVM Specifications	1-3
2	Operation	2-1
2.1	Precautions	2-2
2.2	Quick Start List for Platform	2-3
2.3	Quick Start List for Stand-Alone	2-4
2.4	References	2-5
2.4.1	TPA6111A2 MSOP EVM Connected as a Stereo Headphone Amplifier	2-5
2.4.2	TPA6111A2 MSOP EVM Schematic Diagram	2-5
2.4.3	TPA6111A2 MSOP Audio Power Amplifier Evaluation Module Parts List	2-6
2.4.4	TPA6111A2 MSOP EVM PCB Layers	2-6

Figures

1-1	The TI TPA6111A2 Audio Amplifier Evaluation Module	1-3
2-1	Quick Start Platform Map	2-2
2-2	Quick Start Module Map	2-4
2-3	TPA6111A2 MSOP EVM Connected as a Stereo Headphone Amplifier	2-5
2-4	TPA6111A2 MSOP EVM Schematic Diagram	2-5
2-5	TPA6111A2 MSOP EVM PCB	2-6
2-6	TPA6111A2 MSOP EVM Silkscreen	2-7
2-7	TPA6111A2 MSOP EVM Top Layer	2-7
2-8	TPA6111A2 MSOP EVM Bottom Layer	2-7

Tables

2-1	Typical TI Plug-N-Play Platform Jumper and Switch Settings for the TPA6111A2 MSOP EVM	2-1
2-2	Platform Jumper and Switch Settings for the TPA6111A2 MSOP EVM	2-3
2-3	TPA6111A2 MSOP EVM Parts List	2-6

Introduction

This chapter provides an overview of the Texas Instruments (TI) TPA6111A2 MSOP audio amplifier evaluation module (SLOP339). It includes a list of EVM features, a brief description of the module illustrated with a pictorial diagram, and a list of EVM specifications.

Topic	Page
1.1 Features	1-2
1.2 Description	1-3
1.3 TPA6111A2 MSOP EVM Specifications	1-3

1.1 Features

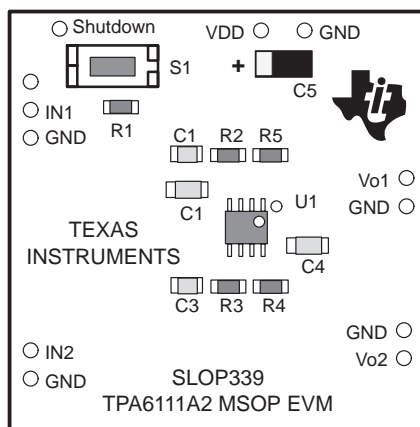
The TI TPA6111A2 MSOP audio amplifier evaluation module and the TI plug-n-play audio amplifier evaluation platform include the following features:

- TPA6111A2 MSOP Stereo Audio Power Amplifier Evaluation Module
 - Dual channel, single-ended operation
 - 150-mW output power into 8 Ω at 5 V
 - 2.5-V to 5.5-V operation
 - Very low distortion:
 - THD+N is less than 0.006% at 1 kHz and less than 0.07% from 20 Hz to 20 kHz into 10-k Ω loads.
 - Less than 0.02% at 1 kHz and less than 0.4% from 20 Hz to 20 kHz into 32- Ω loads.
 - Less than 0.05% at 1 kHz and less than 0.8% from 20 Hz to 20 kHz into 8- Ω loads.
 - Extremely low current consumption in shutdown mode
 - Internal thermal and short-circuit protection
 - Internal pop reduction circuitry
- Quick and Easy Configuration With the TI Plug-N-Play Audio Amplifier Evaluation Platform
 - Evaluation module is designed to simply plug into the platform, automatically making all signal, control, and power connections
 - Platform provides flexible power options
 - Jumpers on the platform select power and module control options
 - Switches on the platform route signals
 - Platform provides quick and easy audio input and output connections
- Platform Power Options
 - Onboard 9-V battery
 - External 5-V–15-V (V_{CC}) supply inputs
 - External regulated V_{DD} supply input
 - Socket for on-board 5-V V_{DD} voltage regulator EVM
 - Onboard overvoltage and reverse polarity power protection
- Platform Audio Input and Output Connections
 - Left and right RCA phono jack inputs
 - Miniature stereo phone jack input
 - Left and right RCA phono jack outputs
 - Left and right compression speaker terminal outputs
 - Miniature stereo headphone jack output

1.2 Description

The TPA6111A2 MSOP audio power amplifier evaluation module is a complete, low-power stereo audio power amplifier for high-fidelity line-level output, headphone, and small speaker applications. It consists of the TI TPA6111A2 150-mW stereo audio power amplifier IC in a very small MSOP package, along with a small number of other parts mounted on a circuit board that is approximately one and a quarter inches square (see Figure 1–1).

Figure 1–1. The TI TPA6111A2 Audio Amplifier Evaluation Module



† Due to the very small size of the MSOP IC package, the standard part number TPA6111A2 is replaced with the code TIAJA.

Single in-line header pins are mounted to the underside of the module circuit board to allow the EVM to be plugged into the TI plug-n-play audio amplifier evaluation platform, or to be wired directly into existing circuits and equipment when used stand-alone.

The platform has room for a single TPA6111A2 evaluation module and it is a convenient vehicle for demonstrating TI's audio power amplifier and related evaluation modules. The EVMs simply plug into the platform, which automatically provides power to the modules, interconnects them correctly, and connects them to a versatile array of standard audio input and output jacks and connectors. Easy-to-use configuration controls allow the platform and EVMs to quickly model many possible end-equipment configurations.

There is nothing to build, nothing to solder, and nothing but the speakers included with the platform to hook up.

1.3 TPA6111A2 MSOP EVM Specifications

Supply voltage range, V_{DD}	2.5 V to 5.5 V
Supply current, I_{DD}	160 mA, max
Continuous output power, P_O : 8 Ω , $V_{DD}=5$ V	150 mW
Audio input voltage, V_I	$V_{DD} + 0.3$ V _{pp} , max
Minimum load impedance, R_L	8 Ω



Operation

Follow the steps in this chapter to quickly prepare the TPA6111A2 MSOP audio amplifier EVM for use. Using the TPA6111A2 MSOP EVM with the TI plug-n-play is a quick and easy way to connect power, signal and control inputs, and signal outputs to the EVM using standard connectors. However, the audio amplifier evaluation module can be used stand-alone by making connections directly to the module pins, and it can be wired directly into existing circuits or equipment.

The platform switch and jumper settings shown in Table 2–1 are typical for the TPA6111A2 MSOP EVM and will cause the TPA6111A2 IC to shut down/mute when a plug is removed from platform headphone jack J10.

Table 2–1. Typical TI Plug-N-Play Platform Jumper and Switch Settings for the TPA6111A2 MSOP EVM

EVM	JP6	JP7	JP8	S2	S3
TPA6111A2	X	Hi	X	See Note 2	U5

- Notes:**
- 1) X = Don't care
 - 2) Set S2 to ON when signal conditioning board is installed in U1; set S2 to OFF when no signal conditioning board is installed.

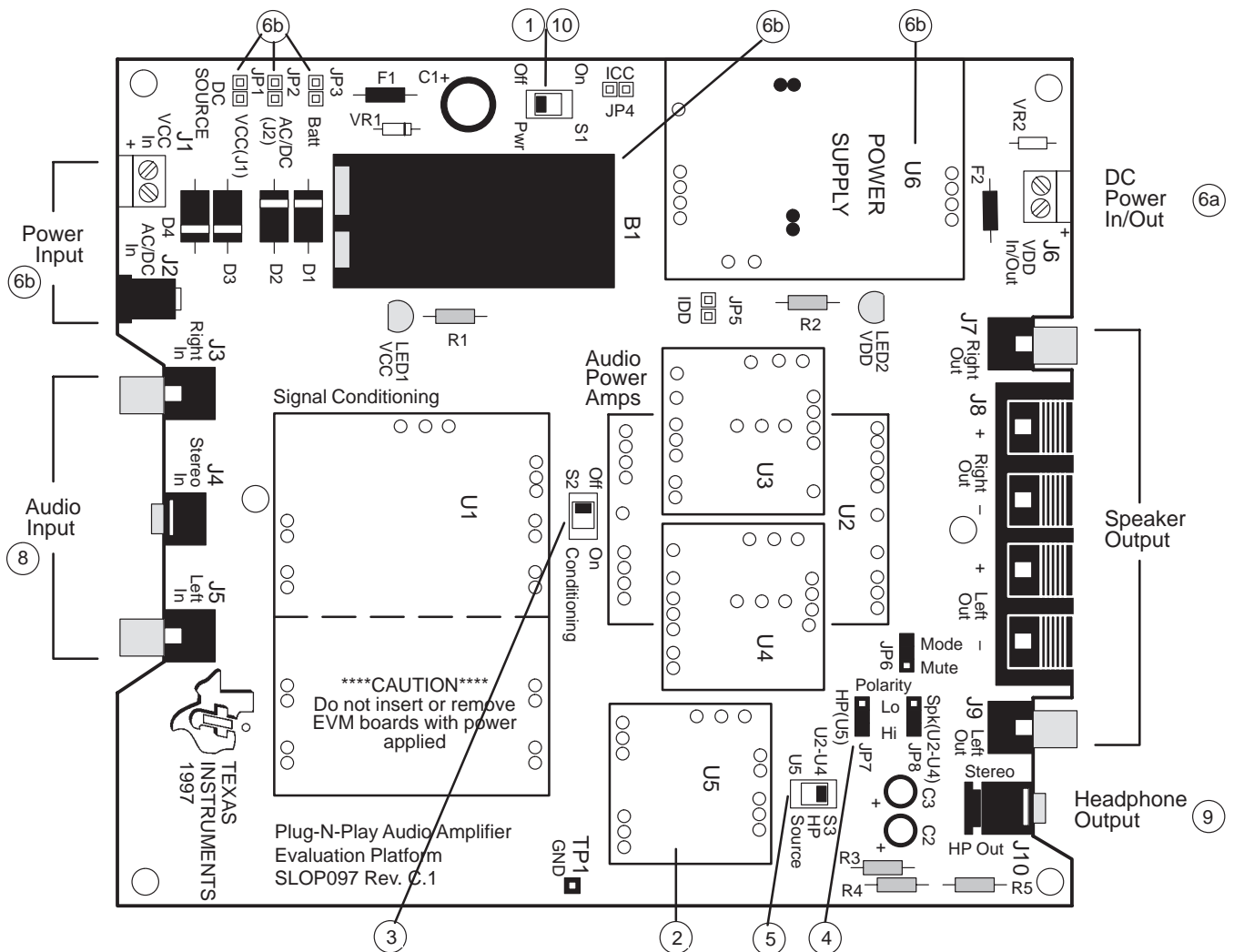
Topic	Page
2.1 Precautions	2–2
2.2 Quick Start List for Platform	2–3
2.3 Quick Start List for Stand-Alone	2–4
2.4 References	2–5

2.1 Precautions

Power Supply Input Polarity and Maximum Voltage
 Always ensure that the polarity and voltage of the external power connected to V_{CC} power input connector J1, J2, and/or V_{DD} power input connector J6 are correct. Overtoltage or reverse-polarity power applied to these terminals can open onboard soldered-in fuses and cause other damage to the platform, installed evaluation modules, and/or the power source.

Inserting or Removing EVM Boards
 Do not insert or remove EVM boards with power applied—damage to the EVM board, the platform, or both may result.

Figure 2–1. Quick Start Platform Map



2.2 Quick Start List for Platform

Follow these steps when using the TPA6111A2 MSOP EVM with the TI plug-n-play audio amplifier evaluation platform (see the platform user's guide, SLOU011, for additional details). Numbered callouts for selected steps are shown in Figure 2–1 and details appear in Chapter 3.

□ Platform preparations

- 1) Ensure that all external power sources are set to off and that the platform power switch S1 is set to off.
- 2) Install a TPA6111A2 MSOP module in platform socket U5, taking care to align the module pins correctly.
- 3) Use switch S2 to select or bypass the signal conditioning EVM (U1).
- 4) Set control signal polarity jumper JP7 to Hi.
- 5) Set HP source switch S3 to U5 to route the output signal to the headphone Jack (J10).

Table 2–2. Platform Jumper and Switch Settings for the TPA6111A2 MSOP EVM

EVM	JP6	JP7	JP8	S2	S3
TPA6111A2	X	Hi	X	See Note 2	U5

Notes: 1) X = Don't care
 2) Set S2 to ON when signal conditioning board is installed in U1; set S2 to OFF when no signal conditioning board is installed.

□ Power supply

- 6) Select and connect the power supply:
 - a) Connect an external regulated power supply set to a voltage between 2.5 V and 5.5 V to platform V_{DD} power input connector J6, taking care to observe marked polarity, or
 - b) Install 3-V to 5-V voltage regulator EVM (SLVP097 or equiv.) in platform socket U6. Install a 9-V battery in B1 or connect a 7 V – 12 V power source to a platform V_{CC} power input J1 or J2 and jumper the appropriate power input (see platform user's guide).

□ Inputs and outputs

- 7) Ensure that signal source level is set to minimum.
- 8) Connect the audio source to left and right RCA phono jacks J3 and J5 or stereo miniature phone jack J4.
- 9) Connect 32- Ω headphones to headphone jack J10.

□ Power-up

- 10) Verify correct voltage and input polarity and set the external power supply to ON. If V_{CC} and an on-board regulator EVM are used to provide V_{DD} , set platform power switch S1 to on.

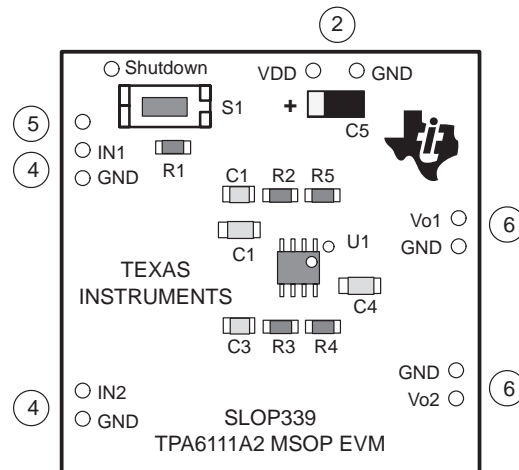
Platform LED2 lights indicating the presence of V_{DD} , and the evaluation modules installed on the platform begin operation.

- 11) Adjust the signal source level as needed.

2.3 Quick Start List for Stand-Alone

Follow these steps to use the TPA6111A2 MSOP EVM stand-alone or when connecting it into existing circuits or equipment. Connections to the TPA6111A2 MSOP module header pins can be made via individual sockets, wire-wrapping, or soldering to the pins, either on the top or the bottom of the module circuit board (see Figure 2–2). Details appear in Chapter 3.

Figure 2–2. Quick Start Module Map



† Due to the very small size of the MSOP IC package, the standard part number TPA6111A2 is replaced with the code TIAJA.

□ Power supply

- 1) Ensure that all external power sources are set to off.
- 2) Connect an external regulated power supply set to 5 V to the module V_{DD} and GND pins, taking care to observe marked polarity.

□ Inputs and outputs

- 3) Ensure that the signal source level is set to minimum.
- 4) Connect the audio source to the module IN1, IN2, and GND pins, taking care to observe marked polarity.
- 5) Connect the shutdown (S1) pin to V_{DD} through a normally open switch.
- 6) Connect 32- Ω headphones to the module V_{O1} , and V_{O2} pins through 33 μF to 1000 μF output-coupling capacitors (see Figure 2–3) and return to the GND pin, or
- 7) For line output, connections to the V_{O1} and V_{O2} pins must be made through 33 μF to 1000 μF output-coupling capacitors and returned to GND.

□ Power-up

- 8) Verify correct voltage and input polarity and set the external power supply to on.

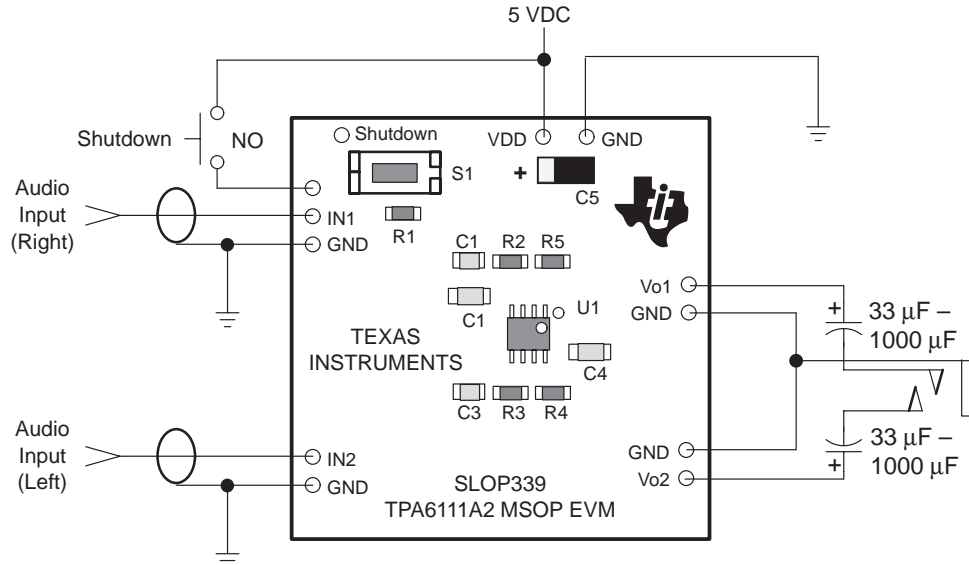
The EVM should begin operation.

- 9) Adjust the signal source level as needed.

2.4 References

2.4.1 TPA6111A2 MSOP EVM Connected as a Stereo Headphone Amplifier

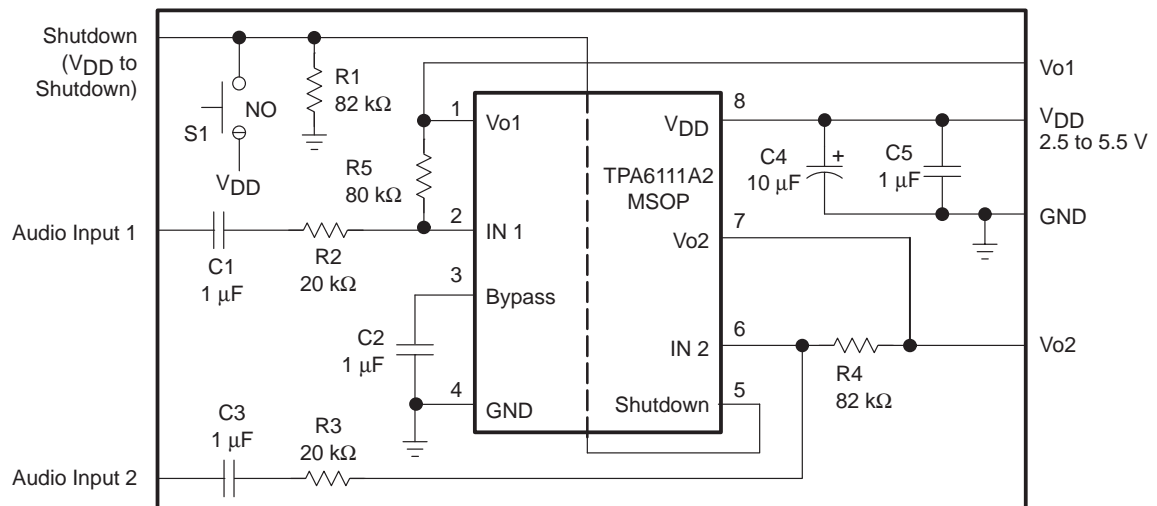
Figure 2–3. TPA6111A2 MSOP EVM Connected as a Stereo Headphone Amplifier



† Due to the very small size of the MSOP IC package, the standard part number TPA6111A2 is replaced with the code TIAJA.

2.4.2 TPA6111A2 MSOP EVM Schematic Diagram

Figure 2–4. TPA6111A2 MSOP EVM Schematic Diagram



2.4.3 TPA6111A2 MSOP Audio Power Amplifier Evaluation Module Parts List

Table 2–3. TPA6111A2 MSOP EVM Parts List

Reference	Description	Size	EVM Qty.	MFG.	Part Number	Vendor/Number
R2, R3	Resistor, 20 k Ω , 1/16 W, 5%, SMD	0603	3	Panasonic	ERJ-3GSYJ203	Digi-Key P20KGCT–ND
R1, R4, R5	Resistor, 82 k Ω , 1/16 W, 5%, SMD	0603	2	Panasonic	ERJ-3GSYJ823	Digi-Key P82KGCT–ND
C1–C4	Capacitor, 1 μ F, \pm 10%, Nonpolarized, SMD	0603	4	Murata	GRM39-Y5V105Z10	Newark
C5	Capacitor, 10 μ F, 6.3 V, SMD	A	1	Panasonic	ECS-TOJY106R	Digi-Key PCS1106CT-ND
S1 (SHUTDOWN)	Switch, momentary	SMD	1	Panasonic	P8048SCT-ND	Digi-Key P8048SCT-ND
U1	IC, TPA6111A2, APA, 150 mW, 2-channel	MSOP-8	1	TI	TPA6111A2DGN	
PnP pins	Terminal post headers		11	Sullins		Digi-Key S1022-36-ND

2.4.4 TPA6111A2 MSOP EVM PCB Layers

The following illustrations depict the TPA6111A2 EVM PCB layers and silkscreen. These drawings are not to scale. Gerber plots can be obtained from any TI sales office.

Figure 2–5. TPA6111A2 MSOP EVM PCB

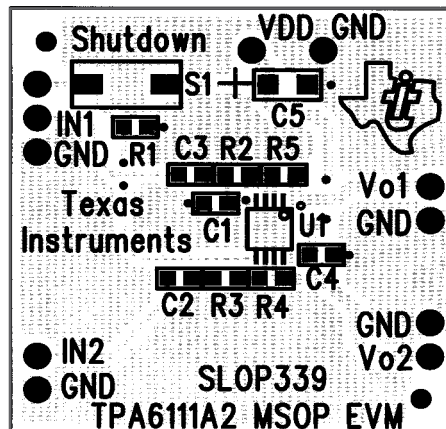


Figure 2–6. TPA6111A2 MSOP EVM Silkscreen

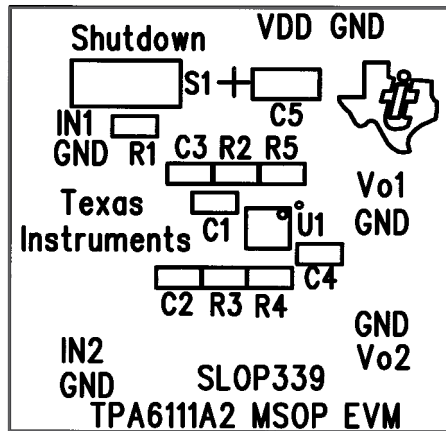


Figure 2–7. TPA6111A2 MSOP EVM Top Layer

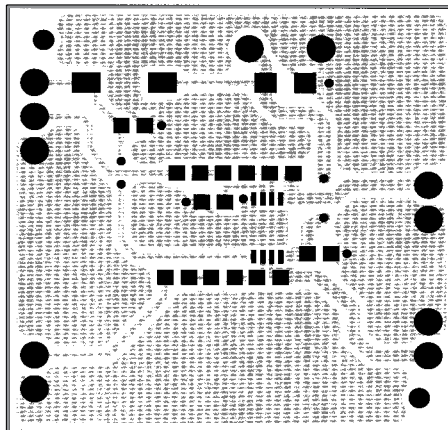
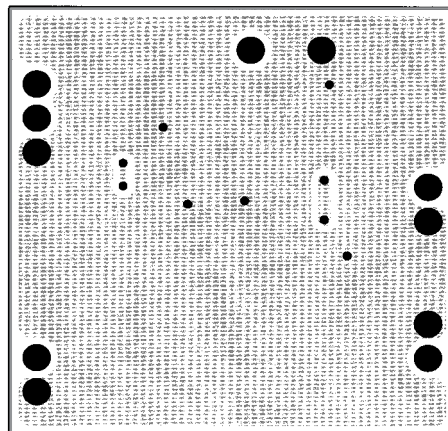


Figure 2–8. TPA6111A2 MSOP EVM Bottom Layer





Looking for pricing, stock, or lifecycle information?

Click below to explore more details on WIN SOURCE:

 [View TPA6111A2EVM](#) on WIN SOURCE

 [Texas Instruments](#) Information

Optimize Your Supply Chain with WIN SOURCE Solutions

-  Global Sourcing Solution
-  Obsolete Management
-  Cost Control Management
-  Shortage Management
-  Alternative Solution
-  Excess Inventory Management