



THE DATASHEET OF TLA-6T207C

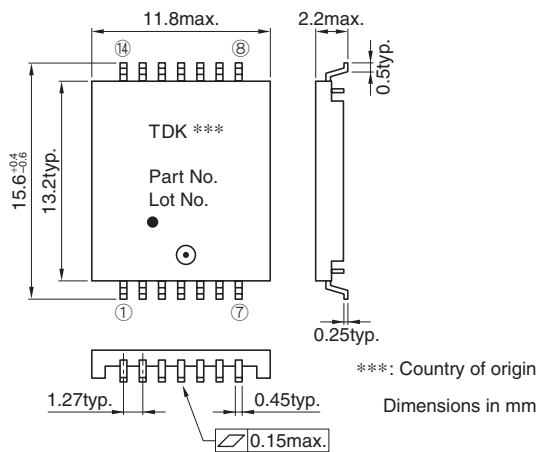


TLA-6T207C(-T) 10/100BASE-TX

FEATURES

- Lead free product.
- Can be mounted with lead-free solder (250°C max.).
- 14-pin(1.27mm pitch) SMD package.
- Low profile (H)2.2mm max. for PC application.
- Excellent common mode noise suppression.
- Inductance is 350μH or greater (f=100kHz, DC bias=8mA).
- Using the high-quality and wide-band ferrite cores for LAN.
- Packaging specification is taping and bulk(TLA-6T207C-T: Tape and reel, TLA-6T207C: Bulk).

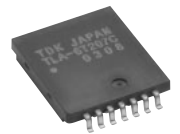
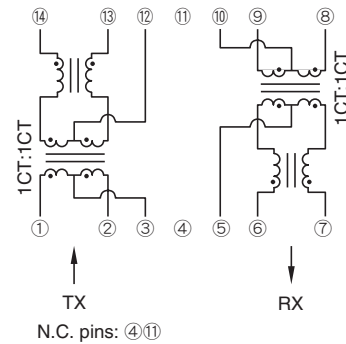
SHAPES AND DIMENSIONS



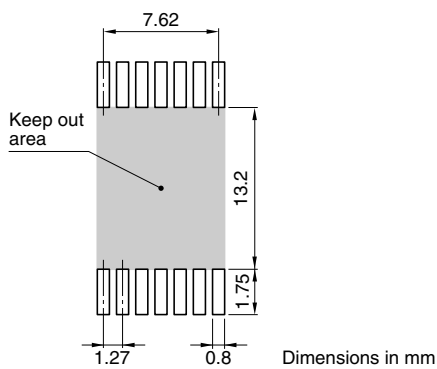
GENERAL SPECIFICATIONS

| | | |
|----------------------|-----------|-----------------|
| Pulse transformer | | 2 |
| Common-mode choke | | 2 |
| Port | | 1 |
| Temperature ranges | Operating | 0 to +70°C |
| | Storage | -40 to +85°C |
| Withstanding voltage | | Erms:1500V[60s] |

CIRCUIT DIAGRAM



RECOMMENDED PC BOARD PATTERN



ELECTRICAL CHARACTERISTICS

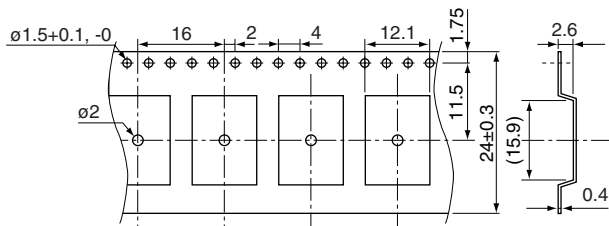
| Part No. | Turns ratio ①③②:⑭⑫⑬ ⑥⑤⑦:⑨⑩⑧ | Inductance (μH)min. [DC bias 8mA, 100kHz] ⑭-⑬ ⑨-⑧ | Insertion loss (dB)max. [0.1 to 100MHz] ①②-⑭⑬ ⑨⑧-⑥⑦ | Inter-winding stray capacitance (pF)max.[100kHz] ①②-⑭⑬ ⑥⑦-⑨⑧ |
|----------------|-----------------------------------|---|---|--|
| TLA-6T207C(-T) | 1CT:1CT | 350 | 1 | 25 |
| | 1CT:1CT | 350 | 1 | 25 |

- Ta=25°C

PACKAGING STYLES

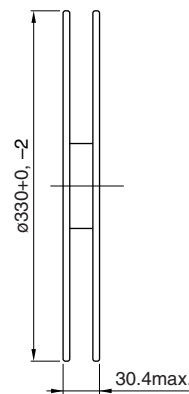
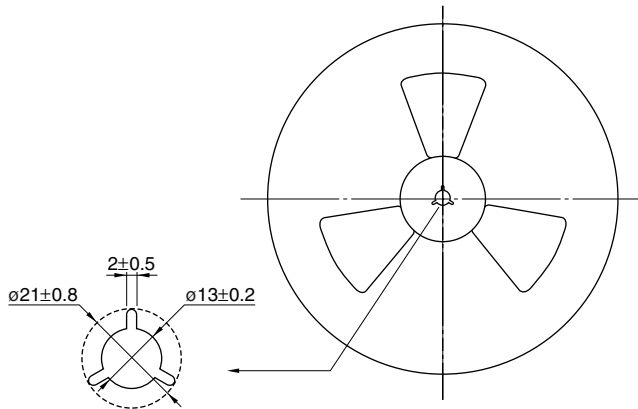
Quantity : 1500pieces/reel

TAPE DIMENSIONS



Dimensions in mm

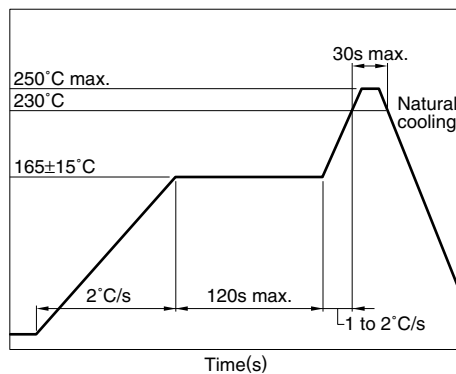
REEL DIMENSIONS



Dimensions in mm

RECOMMENDED SOLDERING CONDITION

REFLOW SOLDERING



- Temperature is measured at the terminal portion of product (Using thermocoupler for measurement).
- This profile is reference data we recommend. Please check in your actual process.
- For reliable soldering, the thickness of solder paste screen should be over the terminal co-planality.
- The cutted end of terminal has no plating(out of subject of solder ability).

RECOMMENDED STORE CONDITION

The product is packaged by Anti-humid Al bag, in order to keep a good solder ability condition and resistance to soldering heat for products.

- Before aluminum bag opening
Temperature range: +5 to +40°C
Humidity: 90(%)RH max.
Storage period: 1year
- After aluminum bag opening
Temperature range: +5 to +30°C
Humidity: 60(%)RH max.
Storage period: 1week

Looking for pricing, stock, or lifecycle information?

Click below to explore more details on WIN SOURCE:

 [View TLA-6T207C](#) on WIN SOURCE

 [TDK Corporation](#) Information

Optimize Your Supply Chain with WIN SOURCE Solutions

-  Global Sourcing Solution
-  Obsolete Management
-  Cost Control Management
-  Shortage Management
-  Alternative Solution
-  Excess Inventory Management