



THE DATASHEET OF TFDU5307-TR1



Fast Low Profile (2.5 mm) Infrared Transceiver Module (MIR, 1.152 Mbit/s) for IrDA® Applications

Description

The TFDU5307 is an infrared transceiver module compliant to the latest IrDA physical layer standard, supporting IrDA speeds up to 1.152 Mbit/s (MIR) and carrier based remote control modes up to 2 MHz. Integrated within the transceiver module are a PIN photodiode, an infrared emitter (IRED), and a low-power control IC to provide a total front-end solution in a single package.

This Vishay MIR transceiver is built in a low profile package using the experiences of the lead frame babyface technology. The transceivers are capable of directly interfacing with a wide variety of I/O devices, which perform the modulation/ demodulation function. At a minimum, a V_{CC} bypass capacitor and a serial resistor for current control are the only external com-



ponents required implementing a complete solution. TFDU5307 has a tri-state output and is floating in shutdown mode with a weak pull-up.

Features

- Compliant to the latest IrDA physical layer specification (up to 1.152 Mbit/s) and TV Remote Control, bi-directional operation included.
- Sensitivity covers full IrDA range. Recommended operating range is from nose to nose to 70 cm
- Operates from 2.7 V to 5.5 V within specification
- Low power consumption (typ. 0.55 mA Supply current in receive mode, no signal)
- Power shutdown mode (< 5 μ A Shutdown Current in Full Temperature Range, up to 85 °C)
- Surface mount package, low profile universal (L 8.5 mm x W 2.9 mm x H 2.5 mm) Capable of surface mount soldering to side and top view orientation
- Backward pin compatible to Vishay Semiconductors SIR and MIR infrared transceivers



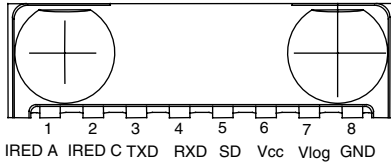
- High efficiency emitter
- Directly interfaces with various super I/O and controller devices
- Tri-state-receiver output, floating in shut down with a weak pull-up
- Split power supply, transmitter and receiver can be operated from two power supplies with relaxed requirements saving costs, US Patent No. 6,157,476
- Logic voltage 1.5 V to 5.5 V is independent of IRED driver and analog supply voltage
- Only one external component required
- TV remote control supported
- Transmitter intensity can be adjusted by an external resistor for extended range (> 0.7 m) or minimum low power (> 0.2 m) IrDA compliance
- Lead (Pb)-free device
- Qualified for lead (Pb)-free and Sn/Pb processing (MSL4)
- Device in accordance with RoHS 2002/95/EC and WEEE 2002/96EC

Applications

- Telecommunication products (cellular phones, pagers)
- Digital still and video cameras
- Printers, fax machines, photocopiers, screen projectors
- Low power consumption (typ. 0.55 mA Supply current in receive mode, no signal)
- Medical and industrial data collection
- Notebook computers, desktop PCs, Palmtop Computers (Win CE, Palm PC), PDAs
- Internet TV boxes, video conferencing systems
- External infrared adapters (dongles)
- Kiosks, POS, Point and Pay devices including IrFM - applications

Pinout

TFDU5307
weight 75 mg



18101

1 IRED A IRED C TXD RXD SD Vcc Vlog GND

Definitions:

In the Vishay transceiver data sheets the following nomenclature is used for defining the IrDA operating modes:

SIR: 2.4 kbit/s to 115.2 kbit/s, equivalent to the basic serial infrared standard with the physical layer version IrPhy 1.0

MIR: 576 kbit/s to 1152 kbit/s

FIR: 4 Mbit/s

VFIR: 16 Mbit/s

MIR and FIR were implemented with IrPhy 1.1, followed by IrPhy 1.2, adding the SIR Low Power Standard. IrPhy 1.3 extended the Low Power Option to MIR and FIR and VFIR was added with IrPhy 1.4. A new version of the standard in any case obsoletes the former version.

With introducing the updated versions the old versions are obsolete. Therefore the only valid IrDA standard is the actual version IrPhy 1.4 (in Oct. 2002).

Absolute Maximum Ratings

Reference point Ground (pin 8) unless otherwise noted.

Typical values are for DESIGN AID ONLY, not guaranteed nor subject to production testing.

| Parameter | Test Conditions | Symbol | Min | Typ. | Max | Unit |
|--|--|-----------------------|-------|------|-------|------|
| Supply voltage range, transceiver | - 0.3 V < V _{CC2} < 6 V - 0.5 V < V _{logic} < 5.5 V | V _{CC1} | - 0.3 | | + 6.0 | V |
| Supply voltage range, transmitter | - 0.5 V < V _{CC1} < 6 V - 0.5 V < V _{logic} < 5.5 V | V _{CC2} | - 0.3 | | + 6.5 | V |
| Supply voltage range, V _{logic} | - 0.5 V < V _{CC1} < 6 V - 0.3 V < V _{CC2} < 6.5 V | V _{logic} | - 0.3 | | + 5.5 | V |
| Input current | For all pins, except IRED anode pin | | | | 10 | mA |
| Output sinking current | | | | | 25 | mA |
| Power dissipation | See derating curve, figure 4 | P _D | | | 500 | mW |
| Junction temperature | | T _J | | | 125 | °C |
| Ambient temperature range (operating) | | T _{amb} | - 25 | | + 85 | °C |
| Storage temperature range | | T _{stg} | - 25 | | + 85 | °C |
| Soldering temperature | See recommended solder profile (figure 3) | | | | 260 | °C |
| Average output current, pin 1 | | I _{IRED(DC)} | | | 125 | mA |
| Repetitive pulsed output current, pin 1 to pin 2 | t < 90 μs, t _{on} < 20 % | I _{IRED(RP)} | | | 600 | mA |
| IRED anode voltage, pin 1 | | V _{IREDA} | - 0.5 | | + 6.5 | V |
| Voltage at all inputs and outputs | V _{in} < V _{CC1} is allowed | V _{in} | - 0.5 | | + 5.5 | V |
| Load at mode pin when used as mode indicator | | | | | 50 | pF |

**Eye safety information**

| Parameter | Test Conditions | Symbol | Min | Typ. | Max | Unit |
|-------------------------------|--|--------|-----|------|-------------------------|-------|
| Virtual source size | Method: (1-1/e) encircled energy | d | 1.8 | 2.0 | | mm |
| Maximum intensity for class 1 | IEC60825-1 or EN60825-1, edition Jan. 2001, operating below the absolute maximum ratings | I_e | | | (500) ^{*)} **) | mW/sr |

^{*)} Due to the internal limitation measures the device is a "class 1" device.

^{**)} IrDA specifies the max. intensity with 500 mW/sr.

Electrical Characteristics**Transceiver**

$T_{amb} = 25\text{ }^{\circ}\text{C}$, $V_{CC1} = V_{CC2} = 2.7\text{ V}$ to 5.5 V unless otherwise noted.

Typical values are for DESIGN AID ONLY, not guaranteed nor subject to production testing.

| Parameter | Test Conditions | Symbol | Min | Typ. | Max | Unit |
|--|--|------------|------------------------|------|-------------------|--------------------|
| Supply voltage | | V_{CC1} | 2.7 | | 5.5 | V |
| Idle supply current | SD = Low, $E_e = 1\text{ klx}$ | I_{CC1} | | 550 | 900 | μA |
| Average dynamic supply current, transmitting | $I_{IRED} = 500\text{ mA}$, 25 % Duty Cycle | I_{CC} | | 1100 | 1500 | μA |
| Shutdown supply current | SD = High, $T = 25\text{ }^{\circ}\text{C}$, $E_e = 0\text{ klx}$ | I_{SD} | | | 1 | μA |
| | SD = High, $T = 25\text{ }^{\circ}\text{C}$, $E_e = 1\text{ klx}$ ^{*)} | I_{SD} | | | 2.5 | μA |
| Standby supply current | SD = High, $T = 85\text{ }^{\circ}\text{C}$, not ambient light sensitive | I_{SD} | | | 5 | μA |
| Operating temperature range | | T_A | - 25 | | + 85 | $^{\circ}\text{C}$ |
| Output voltage low, RXD | $C_{Load} = 15\text{ pF}$, $I_{OL} = 1\text{ mA}$ | V_{OL} | | | 0.4 | V |
| Output voltage high, RXD | $I_{OH} = - 500\text{ }\mu\text{A}$ | V_{OH} | $0.8 \times V_{logic}$ | | | V |
| | $I_{OH} = - 250\text{ }\mu\text{A}$, $C_{Load} = 15\text{ pF}$ | V_{OH} | $0.9 \times V_{logic}$ | | | V |
| RXD to V_{CC1} impedance | | R_{RXD} | 400 | 500 | 600 | $\text{k}\Omega$ |
| Input voltage low (TXD, SD) | | V_{IL} | - 0.5 | | 0.5 | V |
| Input voltage high (TXD, SD) | CMOS level ^{**)} | V_{IH} | $V_{logic} - 0.5$ | | $V_{logic} + 0.5$ | V |
| Input leakage current (TXD, SD) | $V_{in} = 0.9 \times V_{logic}$ | I_{ICH} | - 2 | | + 2 | μA |
| Controlled pull down current | SD, TXD = "0" to "1", $0 < V_{in} < 0.15 V_{logic}$ | I_{IRTX} | | | + 150 | μA |
| | SD, TXD = "0" to "1", $V_{in} > 0.7 V_{logic}$ | I_{IRTX} | - 1 | 0 | 1 | μA |
| Input capacitance (TXD, SD) | | C_{IN} | | | 5 | pF |

^{*)} Standard illuminant A

^{**)} The typical threshold level is $0.5 \times V_{logic}$. It is recommended to use the specified min/max values to avoid increased operating current. The inputs in low state are actively loaded for noise protection. See for that the "Controlled pull down current" spec. Equivalently a pull up current stabilizes the state when the inputs are in high state.

Optoelectronic Characteristics

Receiver

$T_{amb} = 25\text{ }^{\circ}\text{C}$, $V_{CC} = 2.7\text{ V}$ to 5.5 V unless otherwise noted.

Typical values are for DESIGN AID ONLY, not guaranteed nor subject to production testing.

| Parameter | Test Conditions | Symbol | Min | Typ. | Max | Unit |
|---|--|--------------|------------|------------|-----------|---|
| Minimum detection threshold irradiance | 9.6 kbit/s to 1.152 Mbit/s $\lambda = 850\text{ nm} - 900\text{ nm}$ | E_e | | 40 (4) | 90 (9) | mW/m^2 $(\mu\text{W/cm}^2)$ |
| Maximum detection threshold irradiance | $\lambda = 850\text{ nm} - 900\text{ nm}$ | E_e | | 5 (500) | | kW/m^2 (mW/cm^2) |
| No detection receiver input irradiance | Threshold! No RXD output below this irradiance value allowed | E_e | 4 (0.4) | | | mW/m^2 $(\mu\text{W/cm}^2)$ |
| Rise time of output signal | 10 % to 90 %, $C_L = 15\text{ pF}$, $V_{logic} = V_{CC}$ | $t_{r(RXD)}$ | 20 | | 60 | ns |
| Fall time of output signal | 90 % to 10 %, $C_L = 15\text{ pF}$, $V_{logic} = V_{CC}$ | $t_{f(RXD)}$ | 20 | | 60 | ns |
| RXD pulse width of output signal, default mode after power on or reset | Input pulse length $P_{Wopt} > 200\text{ ns}$ | t_{PW} | 300 | 400 | 500 | ns |
| SIR ENDEC compatibility mode ^{*)} : RXD pulse width of output signal | Input pulse length $P_{Wopt} > 200\text{ ns}$, see chapter "Programming" | t_{PW} | 1.7 | 2.0 | 2.9 | μs |
| Stochastic jitter, leading edge | Input irradiance = 100 mW/m^2 , 1.152 Mbit/s, 576 kbit/s | | | | 80 | ns |
| | Input irradiance = 100 mW/m^2 , $\leq 115.2\text{ kbit/s}$ | | | | 350 | ns |
| Standby /Shutdown delay | After shutdown active or (SD low to high transition) | | 0.6 | | 1.5 | ms |
| Shutdown active time window for programming | During this time the pulse duration of the output can be programmed to the application mode. see chapter "Programming" | | | | 600 | μs |
| Receiver start up time power on delay shutdown recovery delay | After shutdown inactive (SD high to low transition) and after power-on | | | | 300 | μs |
| Latency | | t_L | | | 200 | μs |

^{*)} Some ENDECs are not able to decode short pulses as valid SIR pulses. Therefore this additional mode was added in TFDU5307. TFDU5307 is set to the "short output pulse" as default after power on, also after recovering from the shutdown mode (SD must have been longer active than 1.5 ms). For mode changing see the chapter "Programming"



Transmitter

T_{amb} = 25 °C, V_{CC} = 2.7 V to 5.5 V unless otherwise noted.

Typical values are for DESIGN AID ONLY, not guaranteed nor subject to production testing.

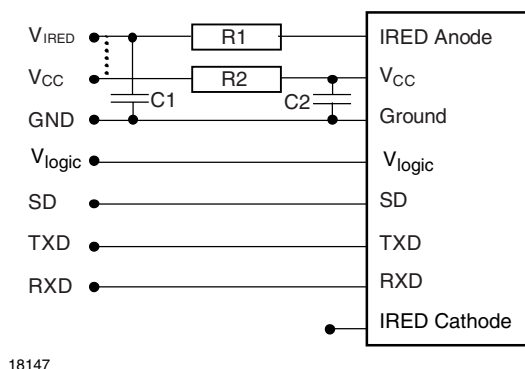
| Parameter | Test Conditions | Symbol | Min | Typ. | Max | Unit |
|--|---|---------------------------------------|----------------|------|------------------|----------|
| IREC operating current, recommended serial resistor for MIR applications | V _{CC2} = 3.3 V: R _S = 2.0 Ω V _{CC2} = 5.0 V: R _S = 5.6 Ω | I _D | | 450 | 500 | mA |
| Output leakage IRED current | TXD = 0 V, 0 < V _{CC1} < 5.5 V | I _{IREC} | - 1 | | 1 | μA |
| Output radiant intensity recommended application circuit, see figure 1 | α = 0 °, I _f = 420 mA TXD = High, SD = Low ^{**}) | I _e | 110 | | 500 | mW/sr |
| | α = 0 °, 15 °, I _f = 420 mA TXD = High, SD = Low ^{**}) | I _e | 70 | 120 | 500 | mW/sr |
| Output radiant intensity | V _{CC1} = 5.0 V, α = 0 °, 15° TXD = Low or SD = High (Receiver is inactive as long as SD = High) | I _e | | | 0.04 | mW/sr |
| Output radiant intensity, angle of half intensity | | α | | ± 24 | | ° |
| Peak - emission wavelength ^{*)} | | λ _p | 880 | | 900 | nm |
| Spectral bandwidth | | Δλ | | 45 | | nm |
| Optical rise time, fall time | | t _{ropt} , t _{fopt} | 6 | | 40 | ns |
| Optical output pulse duration | Input pulse width 217 ns, 1.152 Mbit/s Note: IrDA specification for MIR | t _{opt} | 190 (147.6) | 217 | 240 (260) | ns ns |
| | Input pulse width t _{TXD} < 80 μs | t _{opt} | 20 | | t _{TXD} | μs |
| | Input pulse width t _{TXD} ≥ 80 μs | t _{opt} | 20 | | 85 | μs |
| Optical overshoot | | | | | 25 | % |

^{*)} Note: Due to this wavelength restriction compared to the IrDA spec of 850 nm to 900 nm the transmitter is able to operate as source for the standard Remote Control applications with codes as e.g. Philips RC5/RC6[®] or RECS 80. When operated under IrDA full range conditions (>120 mW/sr) the RC range to be covered is in the range from 8 m to 12 m, provided that state of the art remote control receivers are used.

^{**)} Typ. conditions for I_f = 420 mA, V_{CC2} = 3.3 V, R_S = 2.3 Ω, V_{CC2} = 5.0 V, R_S = 6.4 Ω

Recommended Circuit Diagram

Used with a clean low impedance power supply the TFDU5307 only needs an external series current limiting resistor. However, depending on the entire system design and board layout, additional components may be required (see figure 1).



18147

Figure 1. Recommended Application Circuit

The capacitor C1 is buffering the supply voltage and eliminates the inductance of the power supply line. This one should be a Tantalum or other fast capacitor to guarantee the fast rise time of the IRED current. The resistor R1 is the current limiting resistor and this is supply voltage dependent, see derating curve in figure 4, to avoid too high internal power dissipation. Vishay's transceivers integrate a sensitive receiver and a built-in power driver. The combination of both needs a careful circuit board layout. The use of thin, long, resistive and inductive wiring should be avoided. The inputs (TXD, SD) and the output RXD should be

directly (DC) coupled to the I/O circuit.

The capacitor C2 combined with the resistor R2 is the low pass filter for smoothing the supply voltage.

R2, C1 and C2 are optional and dependent on the quality of the supply voltages and injected noise. An unstable power supply with dropping voltage during transmission may reduce the sensitivity (and transmission range) of the transceiver.

The placement of these parts is critical. It is strongly recommended to position C2 as close as possible to the transceiver power supply pins. A Tantalum capacitor should be used for C1 while a ceramic capacitor is used for C2.

In addition, when connecting the described circuit to the power supply, low impedance wiring should be used.

When extended wiring is used the inductance of the power supply can cause dynamically a voltage drop at V_{CC2} . Often some power supplies are not able to follow the fast current rise time. In that case another 4.7 μF (type, see table under C1) at V_{CC2} will be helpful.

Under extreme EMI conditions as placing an RF-transmitter antenna on top of the transceiver, we recommend to protect all inputs by a low-pass filter, as a minimum a 12 pF capacitor, especially at the RXD port.

Keep in mind that basic RF - design rules for circuit design should be taken into account. Especially longer signal lines should not be used without termination. See e.g. "The Art of Electronics" Paul Horowitz, Winfield Hill, 1989, Cambridge University Press, ISBN: 0521370957.

Table 1.
Recommended Application Circuit Components

| Component | Recommended Value | Vishay Part Number |
|-----------|--|---|
| C1 | 4.7 μF , 16 V, Tantalum | 293D 475X9 016B |
| C2 | 0.1 μF , Ceramic | VJ 1206 Y 104 J XXMT |
| R1 | 5 V supply voltage: 5.6 Ω s. text 0.25 W (recommended using two 2.8 Ω , 0.125 W resistors in series). 3.3 V supply voltage: 2.0 Ω s. text 0.25 W | e.g. 2 x CRCW-1206-2R0-F-RT1 for 3.3 V supply voltage |
| R2 | 47 Ω , 0.125 W | CRCW-1206-47R0-F-RT1 |

I/O and Software

In the description, already different I/Os are mentioned. Different combinations are tested and the function verified with the special drivers available from the I/O suppliers. In special cases refer to the I/O manual, the Vishay application notes, or contact directly Vishay Sales, Marketing or Application.

Programming

Pulse duration Switching

After Power-on the TFDU5307 is in the default short RXD pulse duration mode.

Some ENDECs are not able to decode short pulses as valid SIR pulses. Therefore an additional mode with extended pulse duration (same as in standard SIR transceivers) is added in TFDU5307. TFDU5307 is set to the "short output pulse" as default after power on, and after recovering from the shutdown mode (SD being active longer than 1.5 ms).

To switch the transceivers from the short RXD pulse duration mode to the long pulse duration mode and vice versa, follow the procedure described below.

Setting to the ENDEC compatibility mode with an RXD pulse duration of 2 μ s

1. Set SD input to logic "HIGH".
2. Set TXD input to logic "LOW". Wait $t_s \geq 200$ ns.
3. Set SD to logic "LOW" (this negative edge latches state of TXD, which determines speed setting).
4. After waiting $t_h \geq 200$ ns.

After that TXD is enabled as normal TXD input and the RXD output is set for the longer RXD - pulse duration mode.

Setting back to the default mode with a 400 ns pulse duration

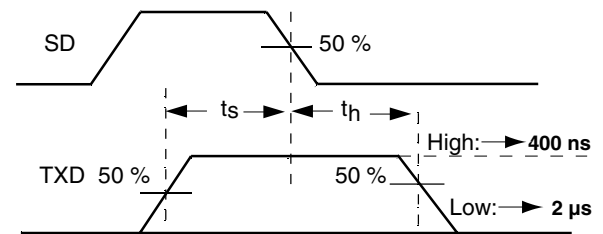
1. Set SD input to logic "HIGH".
2. Set TXD input to logic "HIGH". Wait $t_s \geq 200$ ns.

3. Set SD to logic "LOW" (this negative edge latches state of TXD, which determines speed setting).

4. After waiting $t_h \geq 200$ ns TXD can be set to logic "LOW". The hold time of TXD is limited by the maximum allowed pulse length.

After that TXD is now enabled as normal TXD input and the RXD output is set for the short RXD - pulse duration mode.

The timing of the pulse duration changing procedure is quite uncritical. However, the whole change must not take more than 600 μ s. See in the spec. "Shutdown Active Time Window for Programming"



18150

Figure 2. Timing Diagram for changing the output pulse duration

Simplified Method

Setting the device to the long pulse duration is simply applying a short active (less than 600 μ s) pulse to SD. In any case a short SD pulse will force the device to leave the default mode and go the compatibility mode. Vice versa applying a 1.5 ms (minimum) pulse at SD will cause the device to go back to the default mode by activating a power-on-reset and setting the device to the default short pulse mode. This simplified method takes more time but may be easier to handle.

Table 2.
Truth table

| Inputs | | | Outputs | | Remark |
|-----------------------|-----------------|--|--|----------------|--|
| SD | TXD | Optical input Irradiance mW/m ² | RXD | Transmitter | Operation |
| high < 600 μ s | x | x | weakly pulled (500 k Ω) to V _{CC1} | 0 | Time window for pulse duration setting |
| high > 1.5 ms | x | x | weakly pulled (500 k Ω) to V _{CC1} | 0 | Shutdown |
| low | high | x | low (active) | I _e | Transmitting |
| | high > 80 ms | x | high inactive | 0 | Protection is active |
| | low | < 4 | high inactive | 0 | Ignoring low signals below the IrDA defined threshold for noise immunity |
| | low | > Minimum irradiance E _e < Maximum irradiance E _e | low (active) | 0 | Response to an IrDA compliant optical input signal |
| | low | > Maximum irradiance E _e | undefined | 0 | Overload conditions can cause unexpected outputs |

Recommended Solder Profiles

Solder Profile for Sn/Pb Soldering

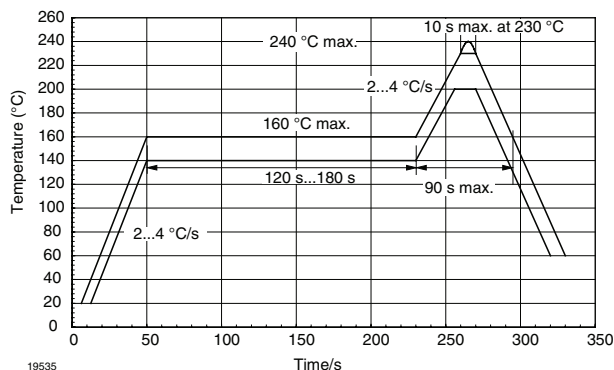


Figure 3. Recommended Solder Profile for Sn/Pb soldering

Lead (Pb)-Free, Recommended Solder Profile

The TFDU5307 is a lead (Pb)-free transceiver and qualified for lead (Pb)-free processing. For lead (Pb)-free solder paste like Sn (3.0 - 4.0) Ag (0.5 - 0.9) Cu, there are two standard reflow profiles: Ramp-Soak-Spike (RSS) and Ramp-To-Spike (RTS). The Ramp-Soak-Spike profile was developed primarily for reflow ovens heated by infrared radiation. With widespread use of forced convection reflow ovens the Ramp-To-Spike profile is used increasingly. Shown below in figure 4 and 5 are VISHAY's recommended profiles for use with the TFDU5307 transceivers. For more

details please refer to the application note "SMD Assembly Instructions" (<http://www.vishay.com/docs/82602/82602.pdf>).

A ramp-up rate less than 0.9 °C/s is not recommended. Ramp-up rates faster than 1.3 °C/s could damage an optical part because the thermal conductivity is less than compared to a standard IC.

Wave Soldering

For TFDUxxxx and TFBSxxxx transceiver devices wave soldering is not recommended.

Manual Soldering

Manual soldering is the standard method for lab use. However, for a production process it cannot be recommended because the risk of damage is highly dependent on the experience of the operator. Nevertheless, we added a chapter to the above mentioned application note, describing manual soldering and desoldering.

Storage

The storage and drying processes for all VISHAY transceivers (TFDUxxxx and TFBSxxx) are equivalent to MSL4.

The data for the drying procedure is given on labels on the packing and also in the application note "Taping, Labeling, Storage and Packing" (<http://www.vishay.com/docs/82601/82601.pdf>).

Current Derating Diagram

Figure 6 shows the maximum operating temperature when the device is operated without external current limiting resistor. A power dissipating resistor of 2 Ω is recommended from the cathode of the IRED to Ground for supply voltages above 4 V. In that case the device can be operated up to 85 °C, too.

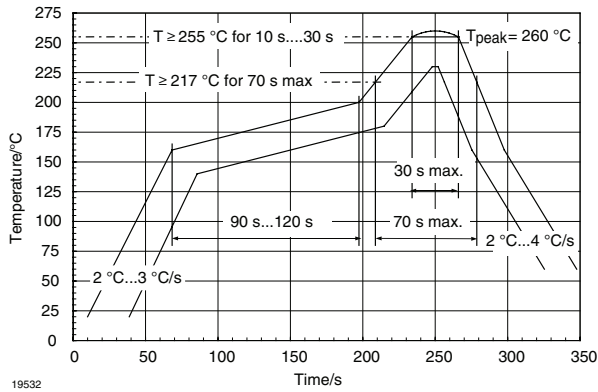


Figure 4. Solder Profile, RSS Recommendation

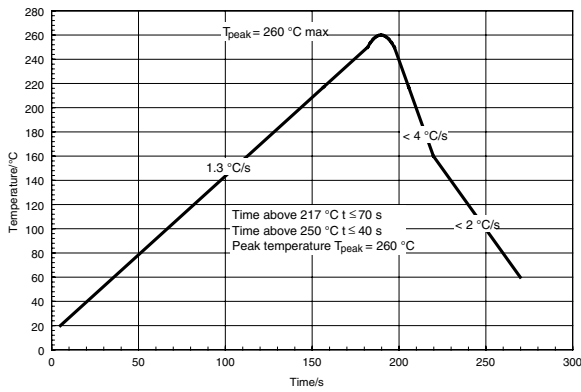


Figure 5. RTS Recommendation

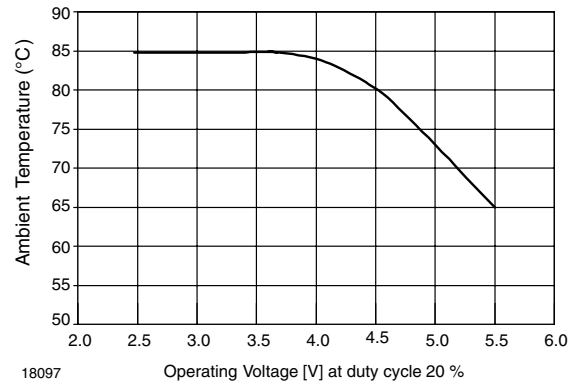
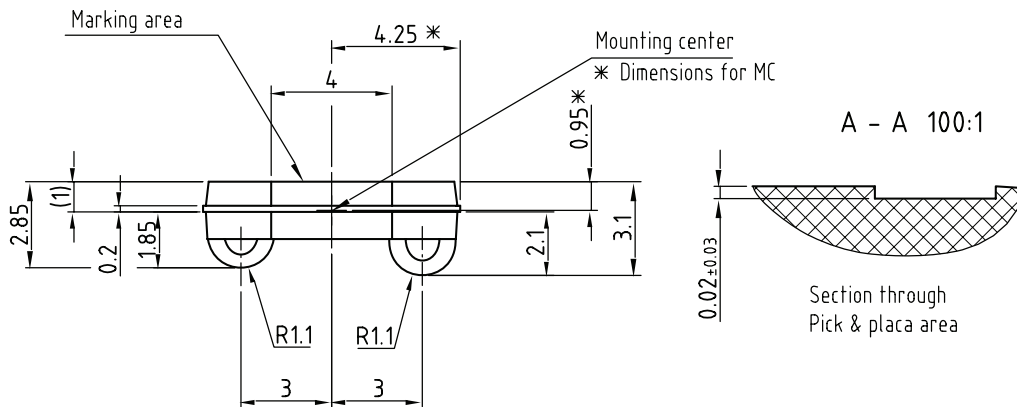
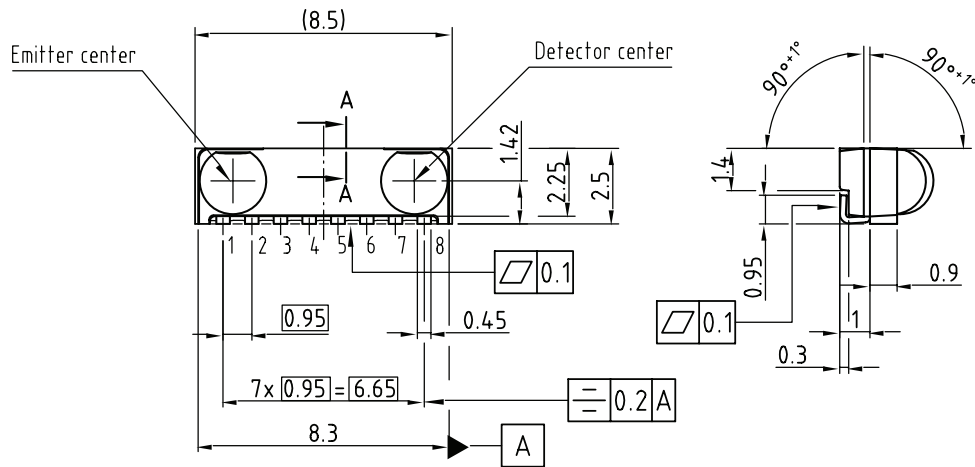


Figure 6. Temperature Derating Diagram

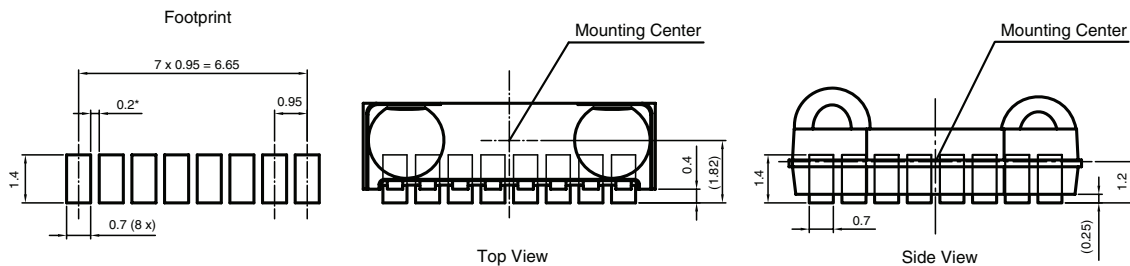
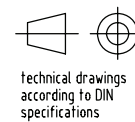
TFDU5307 - TinyFace (Universal) Package

(Mechanical Dimensions)



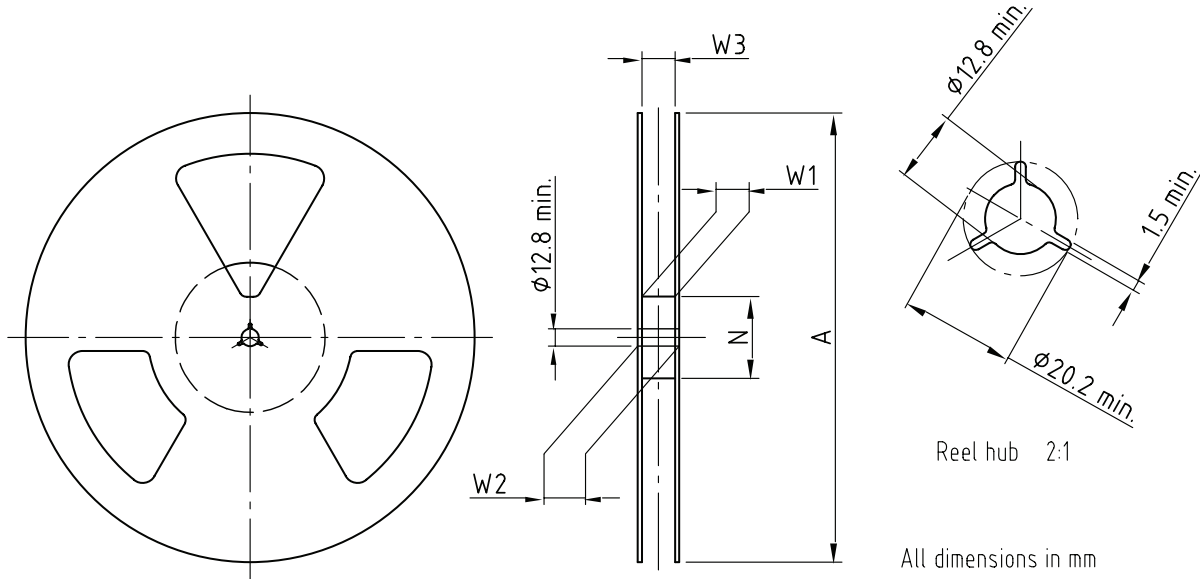
Drawing-No.: 6.550-5252.01-4
 Issue: 2; 12.10.04
 20627

All dimensions in mm



* min 0.2 Photoimageable solder mask recommended between pads to prevent bridging

20626

Reel Dimensions


Reel hub 2:1

All dimensions in mm

 Drawing-No.: 9.800-5090.01-4
 Issue: 1; 29.11.05
 14017

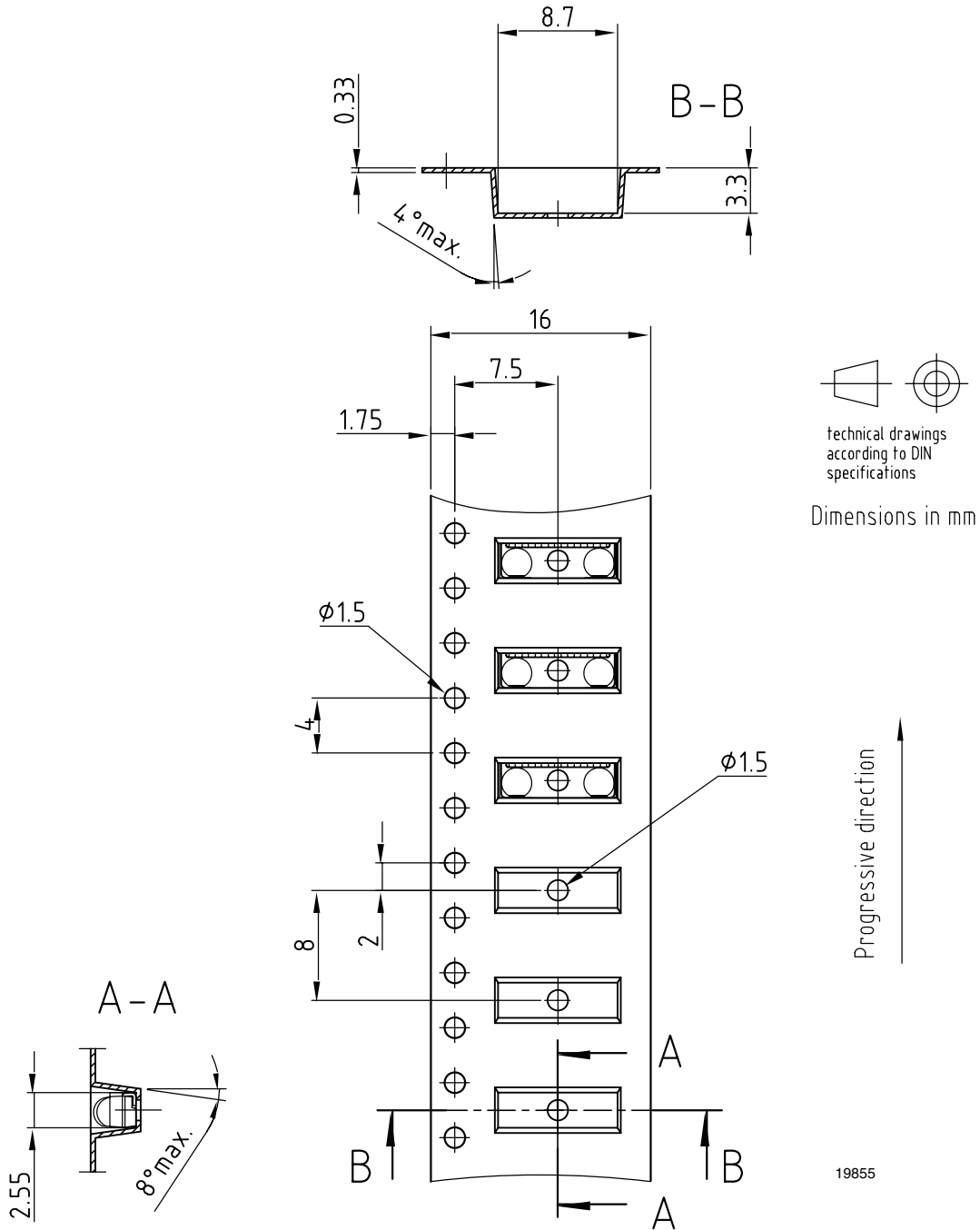
 Form of the leave open
 of the wheel is supplier specific.

Dimension acc. to IEC EN 60 286-3

 technical drawings
 according to DIN
 specifications

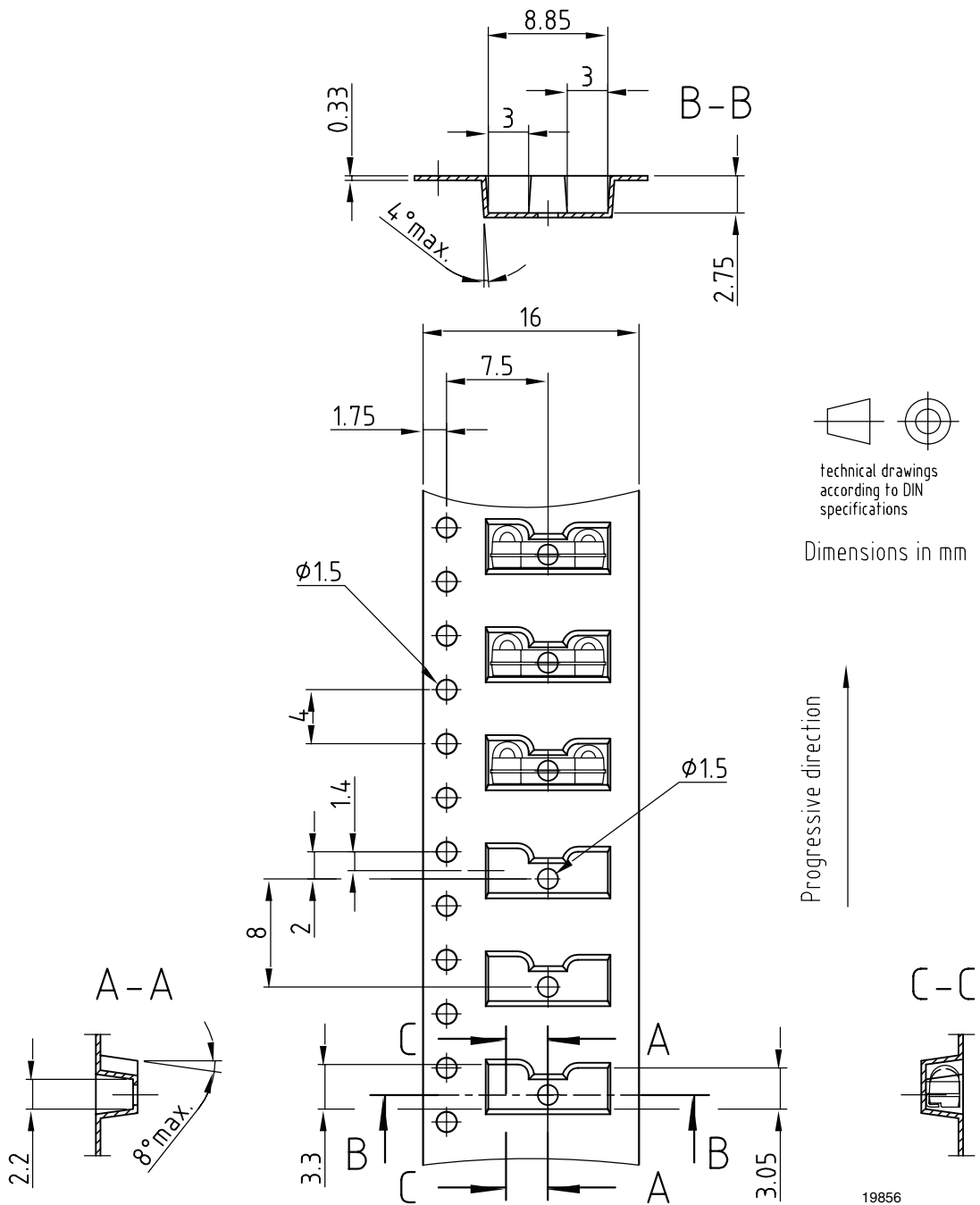
| Tape Width | A max. | N | W ₁ min. | W ₂ max. | W ₃ min. | W ₃ max. |
|------------|--------|----|---------------------|---------------------|---------------------|---------------------|
| mm | mm | mm | mm | mm | mm | mm |
| 16 | 330 | 50 | 16.4 | 22.4 | 15.9 | 19.4 |

Tape Dimensions



Drawing-No.: 9.700-5280.01-4
 Issue: 1; 03.11.03

Figure 7. Tape drawing, TFDU5307 for top view mounting



Drawing-No.: 9.700-5279.01-4
 Issue: 1; 08.12.04

Figure 8. Tape drawing, TFDU5307 for side view mounting

Ozone Depleting Substances Policy Statement

It is the policy of Vishay Semiconductor GmbH to

1. Meet all present and future national and international statutory requirements.
2. Regularly and continuously improve the performance of our products, processes, distribution and operating systems with respect to their impact on the health and safety of our employees and the public, as well as their impact on the environment.

It is particular concern to control or eliminate releases of those substances into the atmosphere which are known as ozone depleting substances (ODSs).

The Montreal Protocol (1987) and its London Amendments (1990) intend to severely restrict the use of ODSs and forbid their use within the next ten years. Various national and international initiatives are pressing for an earlier ban on these substances.

Vishay Semiconductor GmbH has been able to use its policy of continuous improvements to eliminate the use of ODSs listed in the following documents.

1. Annex A, B and list of transitional substances of the Montreal Protocol and the London Amendments respectively
2. Class I and II ozone depleting substances in the Clean Air Act Amendments of 1990 by the Environmental Protection Agency (EPA) in the USA
3. Council Decision 88/540/EEC and 91/690/EEC Annex A, B and C (transitional substances) respectively.

Vishay Semiconductor GmbH can certify that our semiconductors are not manufactured with ozone depleting substances and do not contain such substances.

We reserve the right to make changes to improve technical design
and may do so without further notice.

Parameters can vary in different applications. All operating parameters must be validated for each customer application by the customer. Should the buyer use Vishay Semiconductors products for any unintended or unauthorized application, the buyer shall indemnify Vishay Semiconductors against all claims, costs, damages, and expenses, arising out of, directly or indirectly, any claim of personal damage, injury or death associated with such unintended or unauthorized use.

Vishay Semiconductor GmbH, P.O.B. 3535, D-74025 Heilbronn, Germany



Notice

Specifications of the products displayed herein are subject to change without notice. Vishay Intertechnology, Inc., or anyone on its behalf, assumes no responsibility or liability for any errors or inaccuracies.

Information contained herein is intended to provide a product description only. No license, express or implied, by estoppel or otherwise, to any intellectual property rights is granted by this document. Except as provided in Vishay's terms and conditions of sale for such products, Vishay assumes no liability whatsoever, and disclaims any express or implied warranty, relating to sale and/or use of Vishay products including liability or warranties relating to fitness for a particular purpose, merchantability, or infringement of any patent, copyright, or other intellectual property right.

The products shown herein are not designed for use in medical, life-saving, or life-sustaining applications. Customers using or selling these products for use in such applications do so at their own risk and agree to fully indemnify Vishay for any damages resulting from such improper use or sale.




Looking for pricing, stock, or lifecycle information?

Click below to explore more details on WIN SOURCE:

 [View TFDU5307-TR1 on WIN SOURCE](#)

 [Vishay Information](#)

Optimize Your Supply Chain with WIN SOURCE Solutions

-  Global Sourcing Solution
-  Obsolete Management
-  Cost Control Management
-  Shortage Management
-  Alternative Solution
-  Excess Inventory Management