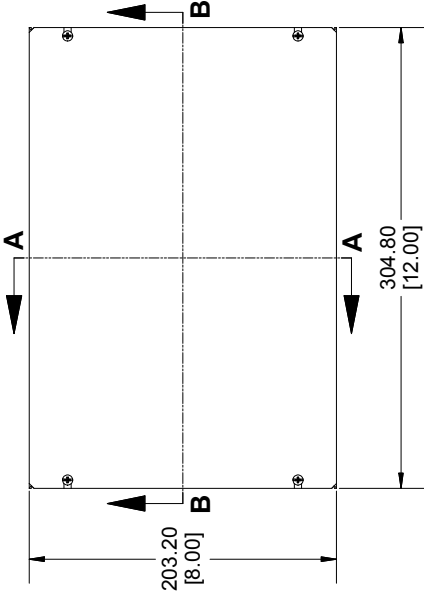




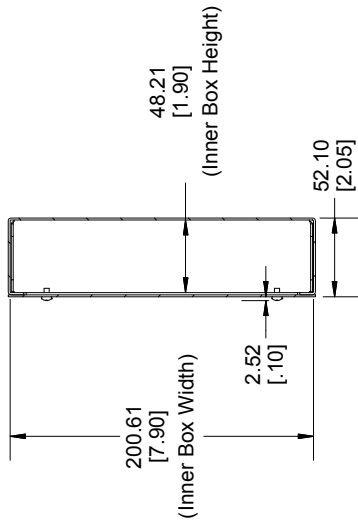
**THE DATASHEET OF**  
**1434-22**



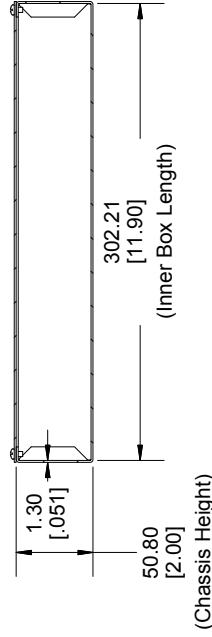
**Bottom View of Assembly**



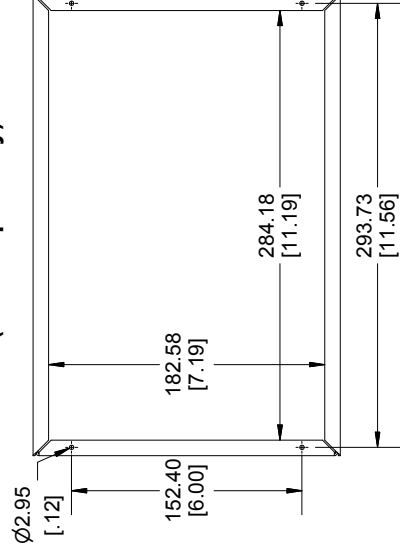
**SECTION A-A  
End View of Assembly**



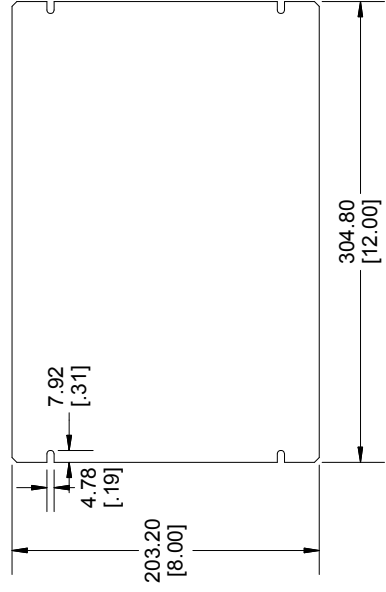
**SECTION B-B  
Side View of Assembly**



**Bottom View of Chassis  
(Sold Separately)**



**Bottom Plate  
(Sold Separately)**



**Dimensions:**  
mm  
[inches]

Enclosures can be  
Contact Factory  
Solid models of this



All Components So  
Chassis is Made of  
Bottom Plate is Ma

Natural  
Natural Fir  
Plated Cov  
[6-32 x 1/4" S



## Looking for pricing, stock, or lifecycle information?

Click below to explore more details on WIN SOURCE:

-  [View 1434-22 on WIN SOURCE](#)
-  [Hammond Manufacturing Information](#)

## Optimize Your Supply Chain with WIN SOURCE Solutions

-  Global Sourcing Solution
-  Obsolete Management
-  Cost Control Management
-  Shortage Management
-  Alternative Solution
-  Excess Inventory Management