



**THE DATASHEET OF  
SN74HCT32DT**



## SNx4HCT32 Quadruple 2-Input Positive-OR Gates

### 1 Features

- Operating voltage range of 4.5 V to 5.5 V
- Outputs can drive up to 10 LSTTL loads
- Low power consumption, 20- $\mu$ A max  $I_{CC}$
- Typical  $t_{pd} = 13$  ns
- $\pm 4$ -mA output drive at 5 V
- Low input current of 1  $\mu$ A max
- Inputs are TTL-Voltage compatible

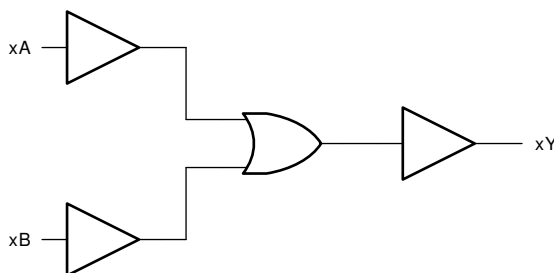
### 2 Description

The SNx4HCT32 device contains four independent 2-input OR gates. They perform the Boolean function  $Y = A + B$  in positive logic.

#### Device Information

| PART NUMBER  | PACKAGE <sup>(1)</sup> | BODY SIZE (NOM)    |
|--------------|------------------------|--------------------|
| SN74HCT32D   | SOIC (14)              | 8.65 mm × 3.90 mm  |
| SN74HCT32DBR | SSOP (14)              | 6.20 mm × 5.30 mm  |
| SN74HCT32N   | PDIP (14)              | 19.31 mm × 6.35 mm |
| SN74HCT32NSR | SO (14)                | 10.20 mm × 5.30 mm |
| SN74HCT32PW  | TSSOP (14)             | 5.00 mm × 4.40 mm  |

(1) For all available packages, see the orderable addendum at the end of the data sheet.



**Functional Block Diagram**



## Table of Contents

|   |   |  |   |
|---|---|--|---|
| <b>1 Features</b> .....                                   | 1 | 7.2 Functional Block Diagram.....                                | 7 |
| <b>2 Description</b> .....                                | 1 | 7.3 Device Functional Modes.....                                 | 7 |
| <b>3 Revision History</b> .....                           | 2 | <b>8 Power Supply Recommendations</b> .....                      | 8 |
| <b>4 Pin Configuration and Functions</b> .....            | 3 | <b>9 Layout</b> .....  | 8 |
| <b>5 Specifications</b> .....                             | 4 | 9.1 Layout Guidelines.....                                       | 8 |
| 5.1 Absolute Maximum Ratings.....                         | 4 | <b>10 Device and Documentation Support</b> .....                 | 9 |
| 5.2 Recommended Operating Conditions <sup>(1)</sup> ..... | 4 | 10.1 Documentation Support.....                                  | 9 |
| 5.3 Thermal Information.....                              | 4 | 10.2 Receiving Notification of Documentation Updates.....        | 9 |
| 5.4 Electrical Characteristics.....                       | 5 | 10.3 Support Resources.....                                      | 9 |
| 5.5 Switching Characteristics.....                        | 5 | 10.4 Trademarks.....   | 9 |
| 5.6 Operating Characteristics.....                        | 5 | 10.5 Electrostatic Discharge Caution.....                        | 9 |
| <b>6 Parameter Measurement Information</b> .....          | 6 | 10.6 Glossary.....   | 9 |
| <b>7 Detailed Description</b> .....                       | 7 | <b>11 Mechanical, Packaging, and Orderable Information</b> ..... | 9 |
| 7.1 Overview.....   | 7 |  |   |

### 3 Revision History

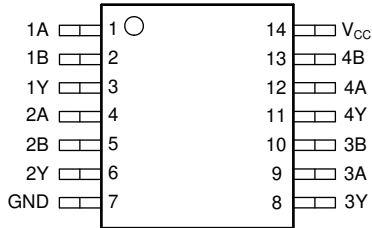
NOTE: Page numbers for previous revisions may differ from page numbers in the current version.

| <b>Changes from Revision F (February 2022) to Revision G (October 2022)</b>  | <b>Page</b> |
|--|-------------|
| • Increased R $\theta$ JA for packages: D (86 to 138.7); DB (96 to 114.8); N (80 to 67); NS (76 to 93.3); PW (113 to 159.8)..... | 4           |

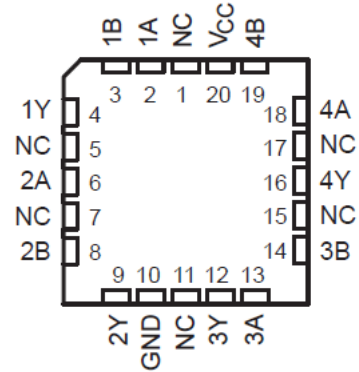
---

| <b>Changes from Revision E (August 2003) to Revision F (February 2022)</b>   | <b>Page</b> |
|--|-------------|
| • Updated the numbering, formatting, tables, figures, and cross-references throughout the document to reflect modern data sheet standards..... | 1           |

## 4 Pin Configuration and Functions



**D, DB, N, NS, PW Package**  
**14-Pin SOIC, SSOP, PDIP, SO, TSSOP**  
**Top View**



NC – No internal connection

**FK package**  
**20-Pin LCCC**  
**Top View**

## 5 Specifications

### 5.1 Absolute Maximum Ratings

over operating free-air temperature range (unless otherwise noted)<sup>(1)</sup>

|                        |                                     | MIN   | MAX | UNIT   |
|------------------------|-------------------------------------|---|-----|--------|
| V <sub>CC</sub>        | Supply voltage range                | -0.5  | 7   | V      |
| I <sub>IK</sub>        | Input clamp current <sup>(2)</sup>  | (V <sub>I</sub> < 0 or V <sub>I</sub> > V <sub>CC</sub> ) |     | ±20 mA |
| I <sub>OK</sub>        | Output clamp current <sup>(2)</sup> | (V <sub>O</sub> < 0 or V <sub>O</sub> > V <sub>CC</sub> ) |     | ±20 mA |
| I <sub>O</sub>         | Continuous output current           | (V <sub>O</sub> = 0 to V <sub>CC</sub> )                  |     | ±25 mA |
| V <sub>CC</sub> or GND | Continuous current through          |   |     | ±50 mA |
| T <sub>J</sub>         | Junction temperature                |   |     | 150 °C |
| T <sub>stg</sub>       | Storage temperature                 | -65   | 150 | °C     |

- (1) Stresses beyond those listed under *absolute maximum ratings* may cause permanent damage to the device. These are stress ratings only and functional operation of the device at these or any other conditions beyond those indicated under *recommended operating conditions* is not implied. Exposure to absolute-maximum-rated conditions for extended periods may affect device reliability.
- (2) The input and output voltage ratings may be exceeded if the input and output current ratings are observed.

### 5.2 Recommended Operating Conditions<sup>(1)</sup>

|                 |                                 | SN54HCT32 <sup>(2)</sup>         |                 |     | SN74HCT32 |                 |        | UNIT |
|-----------------|---------------------------------|----------------------------------|-----------------|-----|-----------|-----------------|--------|------|
|                 |                                 | MIN                              | NOM             | MAX | MIN       | NOM             | MAX    |      |
| V <sub>CC</sub> | Supply voltage                  | 4.5                              | 5               | 5.5 | 4.5       | 5               | 5.5    | V    |
| V <sub>IH</sub> | High-level input voltage        | V <sub>CC</sub> = 4.5 V to 5.5 V |                 | 2   | 2         |                 | V      |      |
| V <sub>IL</sub> | Low-level input voltage         | V <sub>CC</sub> = 4.5 V to 5.5 V |                 | 0.8 | 0.8       |                 | V      |      |
| V <sub>I</sub>  | Input voltage                   | 0                                | V <sub>CC</sub> |     | 0         | V <sub>CC</sub> |        | V    |
| V <sub>O</sub>  | Output voltage                  | 0                                | V <sub>CC</sub> |     | 0         | V <sub>CC</sub> |        | V    |
| t <sub>i</sub>  | Input transition rise/fall time |                                  |                 | 500 |           |                 | 500 ns |      |
| T <sub>A</sub>  | Operating free-air temperature  | -55                              | 125             |     | -40       | 85              |        | °C   |

- (1) All unused inputs of the device must be held at V<sub>CC</sub> or GND to ensure proper device operation. Refer to the TI application report *Implications of Slow or Floating SMOS Inputs*, literature number [SCBA004](#).
- (2) SN54HCT32 is in product preview.

### 5.3 Thermal Information

| THERMAL METRIC         |   | D (SOIC) | DB (SSOP) | N (PDIP) | NS (SO) | PW (TSSOP) | UNIT |
|------------------------|---|----------|-----------|----------|---------|------------|------|
|                        |   | 14 PINS  | 14 PINS   | 14 PINS  | 14 PINS | 14 PINS    |      |
| R <sub>θJA</sub>       | Junction-to-ambient thermal resistance <sup>(1)</sup> | 138.7    | 114.8     | 67       | 93.3    | 159.8      | °C/W |
| R <sub>θJC (top)</sub> | Junction-to-case (top) thermal resistance             | 93.8     | 60        | 55       | 50.9    | 92.7       | °C/W |
| R <sub>θJB</sub>       | Junction-to-board thermal resistance                  | 94.7     | 63.8      | 46.7     | 53.8    | 102.1      | °C/W |
| Ψ <sub>JT</sub>        | Junction-to-top characterization parameter            | 49.1     | 19.7      | 35.1     | 17.8    | 40.4       | °C/W |
| Ψ <sub>JB</sub>        | Junction-to-board characterization parameter          | 94.3     | 63.1      | 46.5     | 53.3    | 101.7      | °C/W |
| R <sub>θJC (bot)</sub> | Junction-to-case (bottom) thermal resistance          | N/A      | N/A       | N/A      | N/A     | N/A        | °C/W |

- (1) For more information about traditional and new thermal metrics, see the *Semiconductor and IC package thermal metrics* application report.

## 5.4 Electrical Characteristics

| PARAMETER                       |                           | TEST CONDITIONS <sup>(1)</sup>                                    | V <sub>CC</sub><br>(V) | T <sub>A</sub> = 25°C |       |      | SN54HCT32 <sup>(3)</sup> |       | SN74HCT32 |     | UNIT |
|---------------------------------|---------------------------|---|------------------------|-----------------------|-------|------|--------------------------|-------|-----------|-----|------|
|                                 |                           |   |                        | MIN                   | TYP   | MAX  | MIN                      | MAX   | MIN       | MAX |      |
| V <sub>OH</sub>                 | High-level output voltage | I <sub>OH</sub> = -20 μA  | 4.5                    | 4.4                   | 4.499 |      | 4.4                      |       | 4.4       | V   |      |
|                                 |                           | I <sub>OH</sub> = -4 mA   |                        | 3.98                  | 4.3   |      | 3.7                      |       | 3.84      |     |      |
| V <sub>OL</sub>                 | Low-level output voltage  | I <sub>OL</sub> = 20 μA   | 4.5                    |                       | 0.001 | 0.1  |                          | 0.1   | 0.1       | V   |      |
|                                 |                           | I <sub>OL</sub> = 4 mA  |                        |                       | 0.17  | 0.26 |                          | 0.4   | 0.33      |     |      |
| I <sub>I</sub>                  | Input hold current        | V <sub>I</sub> = V <sub>CC</sub> or 0                             | 5.5                    |                       | ±0.1  | ±100 |                          | ±1000 | ±1000     | nA  |      |
| I <sub>CC</sub>                 | Supply current            | V <sub>I</sub> = V <sub>CC</sub> or 0. I <sub>O</sub> = 0         | 5.5                    |                       |       | 2    |                          | 40    | 20        | μA  |      |
| ΔI <sub>CC</sub> <sup>(2)</sup> | Supply-current change     | One input at 0.5 V or 2.4 V, Other inputs at 0 or V <sub>CC</sub> | 5.5                    |                       | 1.4   | 2.4  |                          | 3     | 2.9       | mA  |      |
| C <sub>i</sub>                  | Input capacitance         |   | 4.5 to 5.5             |                       | 3     | 10   |                          | 10    | 10        | pF  |      |

(1) V<sub>I</sub> = V<sub>IH</sub> or V<sub>IL</sub>, unless otherwise noted.

(2) This is the increase in supply current for each input that is at one of the specified TTL voltage levels, rather than 0 V or V<sub>CC</sub>.

(3) SN54HCT32 is in product preview.

## 5.5 Switching Characteristics

C<sub>L</sub> = 50 pF. See [Parameter Measurement Information](#).

| PARAMETER       |                   | FROM<br>(INPUT) | TO (OUTPUT) | V <sub>CC</sub><br>(V) | T <sub>A</sub> = 25°C |     |     | SN54HCT32 <sup>(1)</sup> |     | SN74HCT32 |     | UNIT |
|-----------------|-------------------|-----------------|-------------|------------------------|-----------------------|-----|-----|--------------------------|-----|-----------|-----|------|
|                 |                   |                 |             |                        | MIN                   | TYP | MAX | MIN                      | MAX | MIN       | MAX |      |
| t <sub>pd</sub> | Propagation delay | A or B          | Y           | 4.5                    | 15                    | 24  |     | 35                       |     | 30        | ns  |      |
|                 |                   |                 |             | 5.5                    | 13                    | 22  |     | 32                       |     | 27        |     |      |
| t <sub>t</sub>  | Transition time   |                 | Y           | 4.5                    | 9                     | 15  |     | 22                       |     | 19        | ns  |      |
|                 |                   |                 |             | 5.5                    | 8                     | 14  |     | 20                       |     | 17        |     |      |

(1) SN54HCT32 device is in product preview.

## 5.6 Operating Characteristics

T<sub>A</sub> = 25°C

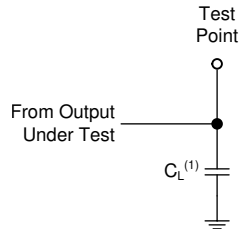
|                 |                               | Test Conditions | TYP | UNIT |
|-----------------|-------------------------------|-----------------|-----|------|
| C <sub>pd</sub> | Power dissipation capacitance | No load         | 20  | pF   |

## 6 Parameter Measurement Information

Phase relationships between waveforms were chosen arbitrarily. All input pulses are supplied by generators having the following characteristics:  $PRR \leq 1 \text{ MHz}$ ,  $Z_O = 50 \ \Omega$ ,  $t_t < 6 \text{ ns}$ .

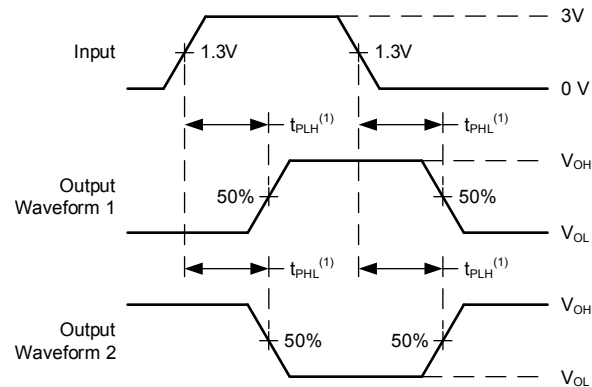
For clock inputs,  $f_{\text{max}}$  is measured when the input duty cycle is 50%.

The outputs are measured one at a time with one input transition per measurement.



(1)  $C_L$  includes probe and test-fixture capacitance.

**Figure 6-1. Load Circuit for Push-Pull Outputs**



(1) The greater between  $t_{\text{PLH}}$  and  $t_{\text{PHL}}$  is the same as  $t_{\text{pd}}$ .

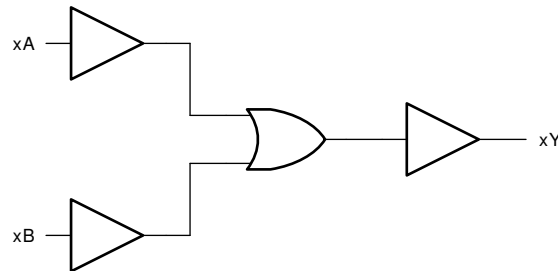
**Figure 6-2. Voltage Waveforms, Propagation Delays for TTL-Compatible Inputs**

## 7 Detailed Description

### 7.1 Overview

The SN74HCT32 devices contain four independent 2-input OR gates. They perform the Boolean function  $Y = A + B$  in positive logic.

### 7.2 Functional Block Diagram



**Figure 7-1. Functional Block Diagram**

### 7.3 Device Functional Modes

**Table 7-1. Function Table  
(each gate)**

| INPUTS |   | OUTPUT |
|--------|---|--------|
| A      | B | Y      |
| H      | X | H      |
| X      | H | H      |
| L      | L | L      |

## 8 Power Supply Recommendations

The power supply can be any voltage between the minimum and maximum supply voltage rating located in the *Recommended Operating Conditions*. Each  $V_{CC}$  terminal should have a good bypass capacitor to prevent power disturbance. A 0.1- $\mu\text{F}$  capacitor is recommended for this device. It is acceptable to parallel multiple bypass caps to reject different frequencies of noise. The 0.1- $\mu\text{F}$  and 1- $\mu\text{F}$  capacitors are commonly used in parallel. The bypass capacitor should be installed as close to the power terminal as possible for best results.

## 9 Layout

### 9.1 Layout Guidelines

When using multiple-input and multiple-channel logic devices inputs must not ever be left floating. In many cases, functions or parts of functions of digital logic devices are unused; for example, when only two inputs of a triple-input AND gate are used or only 3 of the 4 buffer gates are used. Such unused input pins must not be left unconnected because the undefined voltages at the outside connections result in undefined operational states. All unused inputs of digital logic devices must be connected to a logic high or logic low voltage, as defined by the input voltage specifications, to prevent them from floating. The logic level that must be applied to any particular unused input depends on the function of the device. Generally, the inputs are tied to GND or  $V_{CC}$ , whichever makes more sense for the logic function or is more convenient.

## 10 Device and Documentation Support

TI offers an extensive line of development tools. Tools and software to evaluate the performance of the device, generate code, and develop solutions are listed below.

### 10.1 Documentation Support

#### 10.1.1 Related Documentation

### 10.2 Receiving Notification of Documentation Updates

To receive notification of documentation updates, navigate to the device product folder on [ti.com](http://ti.com). Click on *Subscribe to updates* to register and receive a weekly digest of any product information that has changed. For change details, review the revision history included in any revised document.

### 10.3 Support Resources

[TI E2E™ support forums](#) are an engineer's go-to source for fast, verified answers and design help — straight from the experts. Search existing answers or ask your own question to get the quick design help you need.

Linked content is provided "AS IS" by the respective contributors. They do not constitute TI specifications and do not necessarily reflect TI's views; see TI's [Terms of Use](#).

### 10.4 Trademarks

TI E2E™ is a trademark of Texas Instruments.  
All trademarks are the property of their respective owners.

### 10.5 Electrostatic Discharge Caution



This integrated circuit can be damaged by ESD. Texas Instruments recommends that all integrated circuits be handled with appropriate precautions. Failure to observe proper handling and installation procedures can cause damage.

ESD damage can range from subtle performance degradation to complete device failure. Precision integrated circuits may be more susceptible to damage because very small parametric changes could cause the device not to meet its published specifications.

### 10.6 Glossary

[TI Glossary](#) This glossary lists and explains terms, acronyms, and definitions.

## 11 Mechanical, Packaging, and Orderable Information

The following pages include mechanical, packaging, and orderable information. This information is the most current data available for the designated devices. This data is subject to change without notice and revision of this document. For browser-based versions of this data sheet, refer to the left-hand navigation.

## PACKAGING INFORMATION

| Orderable Device | Status<br>(1) | Package Type | Package Drawing | Pins | Package Qty | Eco Plan<br>(2) | Lead finish/<br>Ball material<br>(6) | MSL Peak Temp<br>(3) | Op Temp (°C) | Device Marking<br>(4/5) | Samples                 |
|------------------|---------------|--------------|-----------------|------|-------------|-----------------|--------------------------------------|----------------------|--------------|-------------------------|-------------------------|
| SN74HCT32DBR     | ACTIVE        | SSOP         | DB              | 14   | 2000        | RoHS & Green    | NIPDAU                               | Level-1-260C-UNLIM   | -40 to 85    | HT32                    | <a href="#">Samples</a> |
| SN74HCT32DR      | ACTIVE        | SOIC         | D               | 14   | 2500        | RoHS & Green    | NIPDAU   SN                          | Level-1-260C-UNLIM   | -40 to 85    | HCT32                   | <a href="#">Samples</a> |
| SN74HCT32DRE4    | ACTIVE        | SOIC         | D               | 14   | 2500        | RoHS & Green    | NIPDAU                               | Level-1-260C-UNLIM   | -40 to 85    | HCT32                   | <a href="#">Samples</a> |
| SN74HCT32DRG4    | ACTIVE        | SOIC         | D               | 14   | 2500        | RoHS & Green    | NIPDAU                               | Level-1-260C-UNLIM   | -40 to 85    | HCT32                   | <a href="#">Samples</a> |
| SN74HCT32N       | ACTIVE        | PDIP         | N               | 14   | 25          | RoHS & Green    | NIPDAU                               | N / A for Pkg Type   | -40 to 85    | SN74HCT32N              | <a href="#">Samples</a> |
| SN74HCT32NSR     | ACTIVE        | SO           | NS              | 14   | 2000        | RoHS & Green    | NIPDAU                               | Level-1-260C-UNLIM   | -40 to 85    | HCT32                   | <a href="#">Samples</a> |
| SN74HCT32PWR     | ACTIVE        | TSSOP        | PW              | 14   | 2000        | RoHS & Green    | NIPDAU   SN                          | Level-1-260C-UNLIM   | -40 to 85    | HT32                    | <a href="#">Samples</a> |

(1) The marketing status values are defined as follows:

**ACTIVE:** Product device recommended for new designs.

**LIFEBUY:** TI has announced that the device will be discontinued, and a lifetime-buy period is in effect.

**NRND:** Not recommended for new designs. Device is in production to support existing customers, but TI does not recommend using this part in a new design.

**PREVIEW:** Device has been announced but is not in production. Samples may or may not be available.

**OBSOLETE:** TI has discontinued the production of the device.

(2) **RoHS:** TI defines "RoHS" to mean semiconductor products that are compliant with the current EU RoHS requirements for all 10 RoHS substances, including the requirement that RoHS substance do not exceed 0.1% by weight in homogeneous materials. Where designed to be soldered at high temperatures, "RoHS" products are suitable for use in specified lead-free processes. TI may reference these types of products as "Pb-Free".

**RoHS Exempt:** TI defines "RoHS Exempt" to mean products that contain lead but are compliant with EU RoHS pursuant to a specific EU RoHS exemption.

**Green:** TI defines "Green" to mean the content of Chlorine (Cl) and Bromine (Br) based flame retardants meet JS709B low halogen requirements of <=1000ppm threshold. Antimony trioxide based flame retardants must also meet the <=1000ppm threshold requirement.

(3) MSL, Peak Temp. - The Moisture Sensitivity Level rating according to the JEDEC industry standard classifications, and peak solder temperature.

(4) There may be additional marking, which relates to the logo, the lot trace code information, or the environmental category on the device.

(5) Multiple Device Markings will be inside parentheses. Only one Device Marking contained in parentheses and separated by a "~" will appear on a device. If a line is indented then it is a continuation of the previous line and the two combined represent the entire Device Marking for that device.

<sup>(6)</sup> Lead finish/Ball material - Orderable Devices may have multiple material finish options. Finish options are separated by a vertical ruled line. Lead finish/Ball material values may wrap to two lines if the finish value exceeds the maximum column width.

**Important Information and Disclaimer:**The information provided on this page represents TI's knowledge and belief as of the date that it is provided. TI bases its knowledge and belief on information provided by third parties, and makes no representation or warranty as to the accuracy of such information. Efforts are underway to better integrate information from third parties. TI has taken and continues to take reasonable steps to provide representative and accurate information but may not have conducted destructive testing or chemical analysis on incoming materials and chemicals. TI and TI suppliers consider certain information to be proprietary, and thus CAS numbers and other limited information may not be available for release.

In no event shall TI's liability arising out of such information exceed the total purchase price of the TI part(s) at issue in this document sold by TI to Customer on an annual basis.

**TAPE AND REEL INFORMATION**

**QUADRANT ASSIGNMENTS FOR PIN 1 ORIENTATION IN TAPE**

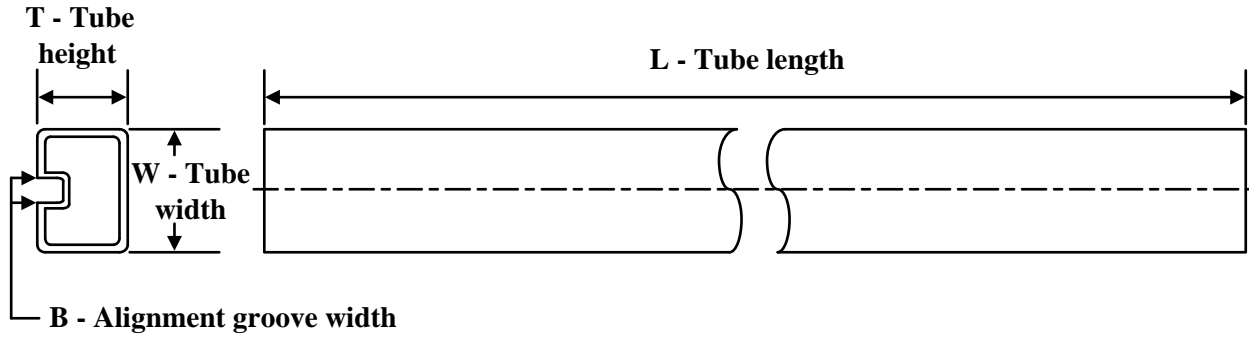

\*All dimensions are nominal

| Device        | Package Type | Package Drawing | Pins | SPQ  | Reel Diameter (mm) | Reel Width W1 (mm) | A0 (mm) | B0 (mm) | K0 (mm) | P1 (mm) | W (mm) | Pin1 Quadrant |
|---------------|--------------|-----------------|------|------|--------------------|--------------------|---------|---------|---------|---------|--------|---------------|
| SN74HCT32DBR  | SSOP         | DB              | 14   | 2000 | 330.0              | 16.4               | 8.35    | 6.6     | 2.4     | 12.0    | 16.0   | Q1            |
| SN74HCT32DR   | SOIC         | D               | 14   | 2500 | 330.0              | 16.4               | 6.5     | 9.0     | 2.1     | 8.0     | 16.0   | Q1            |
| SN74HCT32DR   | SOIC         | D               | 14   | 2500 | 330.0              | 16.4               | 6.5     | 9.0     | 2.1     | 8.0     | 16.0   | Q1            |
| SN74HCT32DRG4 | SOIC         | D               | 14   | 2500 | 330.0              | 16.4               | 6.5     | 9.0     | 2.1     | 8.0     | 16.0   | Q1            |
| SN74HCT32NSR  | SO           | NS              | 14   | 2000 | 330.0              | 16.4               | 8.2     | 10.5    | 2.5     | 12.0    | 16.0   | Q1            |
| SN74HCT32PWR  | TSSOP        | PW              | 14   | 2000 | 330.0              | 12.4               | 6.85    | 5.45    | 1.6     | 8.0     | 12.0   | Q1            |
| SN74HCT32PWR  | TSSOP        | PW              | 14   | 2000 | 330.0              | 12.4               | 6.9     | 5.6     | 1.6     | 8.0     | 12.0   | Q1            |
| SN74HCT32PWR  | TSSOP        | PW              | 14   | 2000 | 330.0              | 12.4               | 6.9     | 5.6     | 1.6     | 8.0     | 12.0   | Q1            |

**TAPE AND REEL BOX DIMENSIONS**


\*All dimensions are nominal

| Device        | Package Type | Package Drawing | Pins | SPQ  | Length (mm) | Width (mm) | Height (mm) |
|---------------|--------------|-----------------|------|------|-------------|------------|-------------|
| SN74HCT32DBR  | SSOP         | DB              | 14   | 2000 | 356.0       | 356.0      | 35.0        |
| SN74HCT32DR   | SOIC         | D               | 14   | 2500 | 356.0       | 356.0      | 35.0        |
| SN74HCT32DR   | SOIC         | D               | 14   | 2500 | 356.0       | 356.0      | 35.0        |
| SN74HCT32DRG4 | SOIC         | D               | 14   | 2500 | 340.5       | 336.1      | 32.0        |
| SN74HCT32NSR  | SO           | NS              | 14   | 2000 | 356.0       | 356.0      | 35.0        |
| SN74HCT32PWR  | TSSOP        | PW              | 14   | 2000 | 366.0       | 364.0      | 50.0        |
| SN74HCT32PWR  | TSSOP        | PW              | 14   | 2000 | 356.0       | 356.0      | 35.0        |
| SN74HCT32PWR  | TSSOP        | PW              | 14   | 2000 | 356.0       | 356.0      | 35.0        |

**TUBE**


\*All dimensions are nominal

| Device     | Package Name | Package Type | Pins | SPQ | L (mm) | W (mm) | T (μm) | B (mm) |
|------------|--------------|--------------|------|-----|--------|--------|--------|--------|
| SN74HCT32N | N            | PDIP         | 14   | 25  | 506    | 13.97  | 11230  | 4.32   |
| SN74HCT32N | N            | PDIP         | 14   | 25  | 506    | 13.97  | 11230  | 4.32   |

# MECHANICAL DATA

NS (R-PDSO-G\*\*)

PLASTIC SMALL-OUTLINE PACKAGE

14-PINS SHOWN



- NOTES:
- A. All linear dimensions are in millimeters.
  - B. This drawing is subject to change without notice.
  - C. Body dimensions do not include mold flash or protrusion, not to exceed 0,15.



D (R-PDSO-G14)

PLASTIC SMALL OUTLINE



- NOTES:
- All linear dimensions are in millimeters.
  - This drawing is subject to change without notice.
  - Publication IPC-7351 is recommended for alternate designs.
  - Laser cutting apertures with trapezoidal walls and also rounding corners will offer better paste release. Customers should contact their board assembly site for stencil design recommendations. Refer to IPC-7525 for other stencil recommendations.
  - Customers should contact their board fabrication site for solder mask tolerances between and around signal pads.



N (R-PDIP-T\*\*)

PLASTIC DUAL-IN-LINE PACKAGE

16 PINS SHOWN



- NOTES:
- A. All linear dimensions are in inches (millimeters).
  - B. This drawing is subject to change without notice.
  - Falls within JEDEC MS-001, except 18 and 20 pin minimum body length (Dim A).
  - The 20 pin end lead shoulder width is a vendor option, either half or full width.

DB (R-PDSO-G\*\*)

PLASTIC SMALL-OUTLINE

28 PINS SHOWN



- NOTES: A. All linear dimensions are in millimeters.  
 B. This drawing is subject to change without notice.  
 C. Body dimensions do not include mold flash or protrusion not to exceed 0,15.  
 D. Falls within JEDEC MO-150

## IMPORTANT NOTICE AND DISCLAIMER

TI PROVIDES TECHNICAL AND RELIABILITY DATA (INCLUDING DATA SHEETS), DESIGN RESOURCES (INCLUDING REFERENCE DESIGNS), APPLICATION OR OTHER DESIGN ADVICE, WEB TOOLS, SAFETY INFORMATION, AND OTHER RESOURCES "AS IS" AND WITH ALL FAULTS, AND DISCLAIMS ALL WARRANTIES, EXPRESS AND IMPLIED, INCLUDING WITHOUT LIMITATION ANY IMPLIED WARRANTIES OF MERCHANTABILITY, FITNESS FOR A PARTICULAR PURPOSE OR NON-INFRINGEMENT OF THIRD PARTY INTELLECTUAL PROPERTY RIGHTS.

These resources are intended for skilled developers designing with TI products. You are solely responsible for (1) selecting the appropriate TI products for your application, (2) designing, validating and testing your application, and (3) ensuring your application meets applicable standards, and any other safety, security, regulatory or other requirements.

These resources are subject to change without notice. TI grants you permission to use these resources only for development of an application that uses the TI products described in the resource. Other reproduction and display of these resources is prohibited. No license is granted to any other TI intellectual property right or to any third party intellectual property right. TI disclaims responsibility for, and you will fully indemnify TI and its representatives against, any claims, damages, costs, losses, and liabilities arising out of your use of these resources.

TI's products are provided subject to [TI's Terms of Sale](#) or other applicable terms available either on [ti.com](https://www.ti.com) or provided in conjunction with such TI products. TI's provision of these resources does not expand or otherwise alter TI's applicable warranties or warranty disclaimers for TI products.

TI objects to and rejects any additional or different terms you may have proposed.

Mailing Address: Texas Instruments, Post Office Box 655303, Dallas, Texas 75265  
Copyright © 2024, Texas Instruments Incorporated

## Looking for pricing, stock, or lifecycle information?

Click below to explore more details on WIN SOURCE:

 [View SN74HCT32DT](#) on WIN SOURCE

 [Texas Instruments](#) Information

## Optimize Your Supply Chain with WIN SOURCE Solutions

-  Global Sourcing Solution
-  Obsolete Management
-  Cost Control Management
-  Shortage Management
-  Alternative Solution
-  Excess Inventory Management