



**THE DATASHEET OF  
ABLSG-15.360MHZ-D2Y-T**



# HC/49US (AT49) 3RD LEAD CASE-GROUNDED SMD LOW PROFILE CRYSTAL



**ABLSG**



**RoHS  
Compliant**

11.4 x 4.7 x 4.2mm

**Moisture Sensitivity Level (MSL) – This product is Hermetically Sealed and not Moisture Sensitive - MSL = N/A: Not Applicable**

**FEATURES:**

- 3rd Lead is Grounded, Ideal for EMI Sensitive Applications
- IR-reflow capable
- Low height reduced to 4.2mm
- Tight stability & extended temperature available

**APPLICATIONS:**

- EMI sensitive applications
- Computers, Modems, Microprocessors
- Medical Electronics
- Wireless Applications

**STANDARD SPECIFICATIONS:**

PARAMETERS	
ABRACON P/N	ABLSG Series
Frequency	3.579545 MHz to 75 MHz
Operation Mode	AT cut (Fundamental or 3rd OT) or BT cut 3.579545MHz - 24.0MHz (Fundamental: Standard) 24.01 - 75.00MHz (3rd- Overtone: Standard) 24.01MHz - 50.00MHz (Fund. AT or BT: Please specify. See options)
Operating Temperature	0°C to + 70°C (see options)
Storage Temperature	- 55°C to + 125°C
Frequency Tolerance	± 50 ppm max. (see options)
Frequency Stability over the Operating Temp. (Ref to +25°C)	± 50 ppm max. (see options)
Equivalent Series Resistance	See Table 1
Shunt Capacitance C <sub>0</sub>	7pF max.
Load Capacitance C <sub>L</sub>	18pF (see options)
Drive Level	1 mW max., 100µW typical
Aging at 25°C Per Year	± 5ppm max.
Insulation Resistance	500 MΩ min at 100Vdc ± 15V
Spurious Responses:	-3dB max.
Drive level dependency (DLD)	From 1µW to 500µW (minimum 7 points tested)

**TABLE 1: ESR**

FREQUENCY (MHz)	ESR (Ω)
3.579 - 4.999 (Fund.)	180
5.000 - 5.999 (Fund.)	120
6.000 - 7.999 (Fund.)	100
8.000 - 8.999 (Fund.)	80
9.000 - 9.999 (Fund.)	60
10.000 - 15.999 (Fund.)	50
16.000 - 50.000 (Fund.)	40
24.01 - 31.999 (3rd O/T)	100
32.000 - 70.00 (3rd O/T)	80

**OPTIONS & PART IDENTIFICATION:**

(Left blank if standard) **ABLSG -**  MHz -  - R -  -  -  -  -  -

**Frequency in MHz**  
e.g. 3.579545MHz  
14.31818MHz  
26.000MHz

**Load Capacitance**  
Please specify CL in pF or S for Series (8 to 33pF)  
Please contact ABRACON for other values

**ESR**  
Specify a value in Ω

**Operating Temp.**  
A: -10°C ~ +60°C  
B: -20°C ~ +70°C  
C: -30°C ~ +70°C  
N: -30°C ~ +85°C  
D: -40°C ~ +85°C  
J(\*\*): -40°C to +105°C  
K(\*\*): -40°C to +125°C  
L(\*\*): -55°C to +125°C

**Freq. Tolerance**  
H5: ± 5 ppm  
1: ± 10 ppm  
7: ± 15 ppm  
2: ± 20 ppm  
3: ± 25 ppm  
4: ± 30 ppm

**Freq. Stability**  
U: ± 10 ppm (\*)  
G: ± 15 ppm (\*\*)  
X: ± 20 ppm  
W: ± 25 ppm  
Y: ± 30 ppm  
H: ± 35 ppm  
Q: ± 100 ppm (\*\*\*\*)  
R: ± 150 ppm

**Packaging**  
Blank: Bulk  
T: Tape & Reel

**Mode**  
F: Fund.AT for >24MHz  
FB: Fund.BT for >24MHz

- \* 10 to +60C only.
- \*\* Option A, E, B, and 0 to +70C only.
- \*\*\* Frequency stability ±50ppm, ±100ppm, ±150ppm only.  
Contact ABRACON for tighter frequency or stability requirement.
- \*\*\*\* For Fundamental BT, frequency stability ±100ppm max. at 10°C to +60°C only.



# HC/49US (AT49) 3RD LEAD CASE-GROUNDED SMD LOW PROFILE CRYSTAL

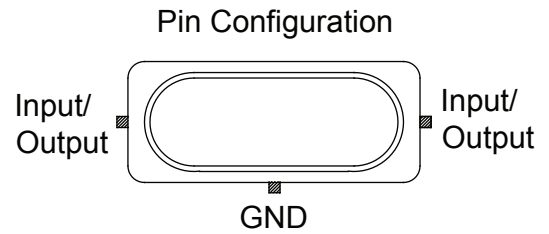
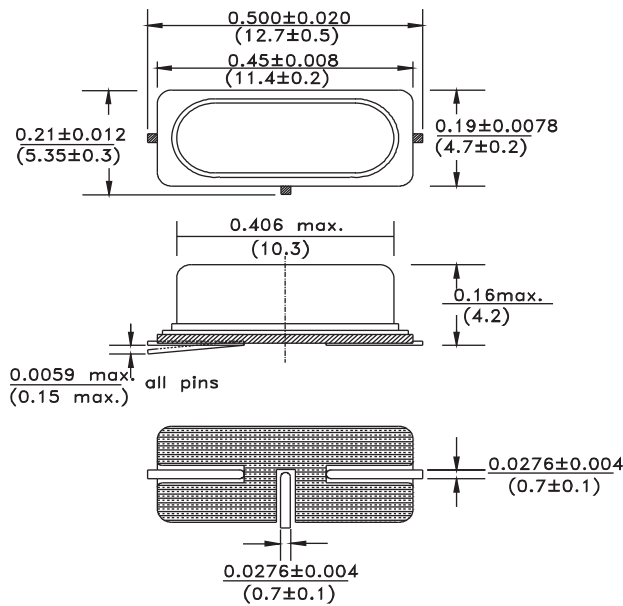


11.4 x 4.7 x 4.2mm

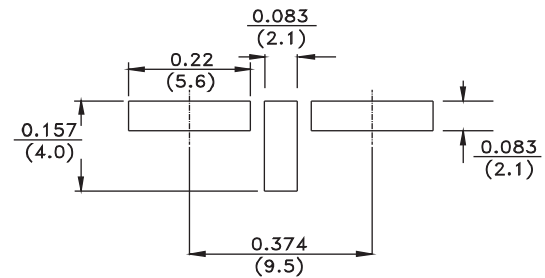
ABLSG



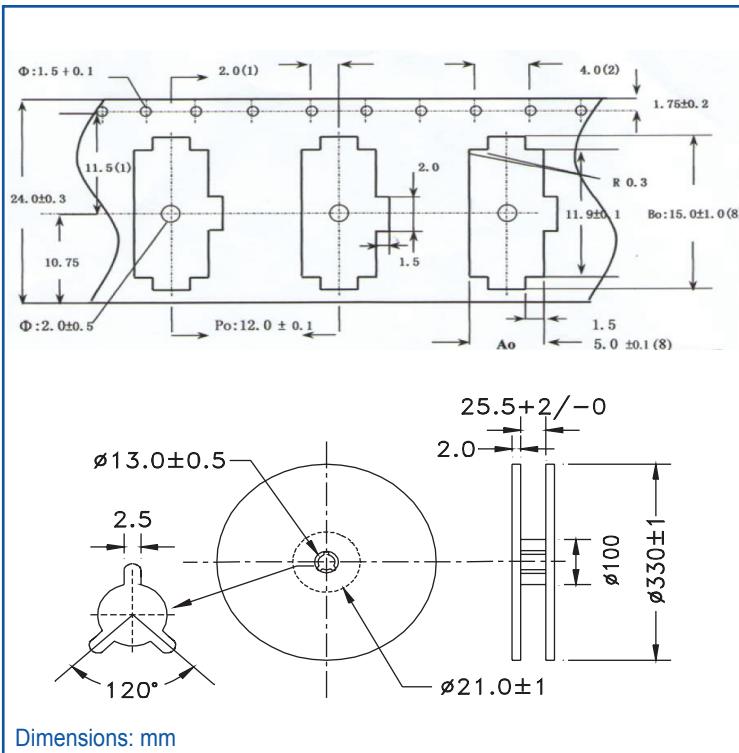
## OUTLINE DRAWING:



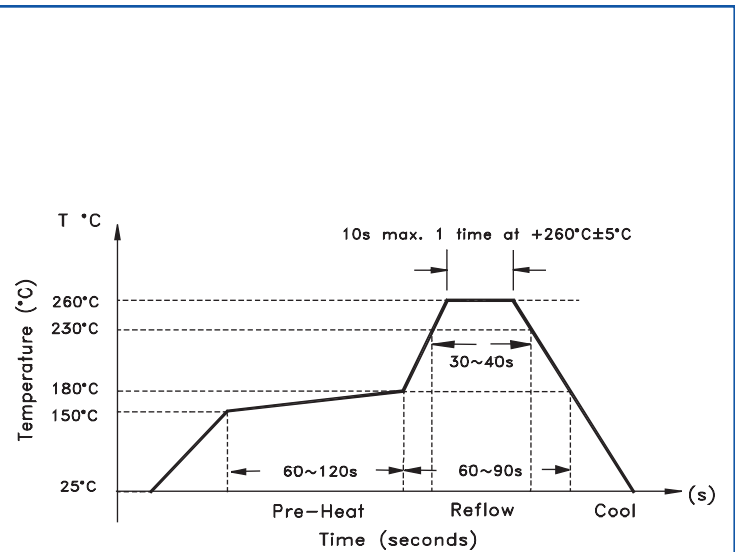
## Recommended land pattern



## TAPE & REEL:



## REFLOW PROFILE:



**ATTENTION:** Abracon Corporation's products are COTS – Commercial-Off-The-Shelf products; suitable for Commercial, Industrial and, where designated, Automotive Applications. Abracon's products are not specifically designed for Military, Aviation, Aerospace, Life-dependant Medical applications or any application requiring high reliability where component failure could result in loss of life and/or property. For applications requiring high reliability and/or presenting an extreme operating environment, written consent and authorization from Abracon Corporation is required. Please contact Abracon Corporation for more information.

ABRACON IS  
ISO9001:2008  
CERTIFIED



Visit [www.abracon.com](http://www.abracon.com) for Terms & Conditions of Sale **Revised: 08.20.10**  
30332 Esperanza, Rancho Santa Margarita, California 92688  
tel 949-546-8000 | fax 949-546-8001 | [www.abracon.com](http://www.abracon.com)

## Looking for pricing, stock, or lifecycle information?

Click below to explore more details on WIN SOURCE:

- ⊖ [View ABLSG-15.360MHZ-D2Y-T on WIN SOURCE](#)
- ⊖ [Abracon LLC Information](#)

## Optimize Your Supply Chain with WIN SOURCE Solutions

- ✓ Global Sourcing Solution
- ✓ Obsolete Management
- ✓ Cost Control Management
- ✓ Shortage Management
- ✓ Alternative Solution
- ✓ Excess Inventory Management