



THE DATASHEET OF 2CSFT24





Quality Products. Service Excellence.

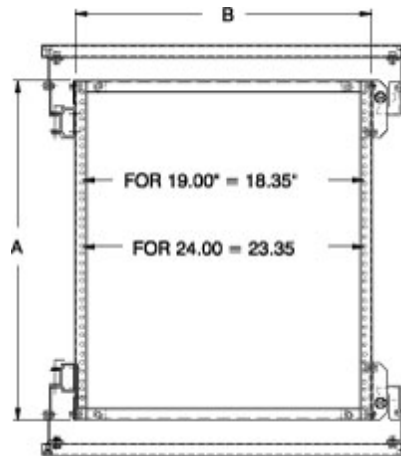
Mounting Rack Rail Swing Frame S2CSWF Series

For use with the Series 2000 Enclosures



- Available in 19" and 24" widths.
- Variable depth feature allows front to rear adjustment.
- Installs with either left or right hinging.
- Mounts onto Rail Support Kits (not included).
- Clip nuts required for mounting to punched rails.
- Finished in textured black.
- TAA compliant for GSA Schedule purchases.
- RoHS Compliant.
- Manufactured in North America.

Gallery





Part No.	Fits Console Unit	Fits Console Size	Panel			
			Width	Height	A	B
2CSFT19	Turrets/Terminal	24,36,48,60	19"	8U	15.75	19.28
2CSFT24	Turrets/Terminal	36,48,60	24"	8U	15.75	24.28
2CSFB19	Bases	24,36,48,60	19"	12U	22.09	19.28
2CSFB24	Bases	36,48,60	24"	12U	22.09	24.28

Tags: Series 2000, rackmount, 19 inch, 24 inch. turret, terminal, desk, swing frame, rail

Data subject to change without notice

Looking for pricing, stock, or lifecycle information?

Click below to explore more details on WIN SOURCE:

-  [View 2CSFT24 on WIN SOURCE](#)
-  [Hammond Manufacturing Information](#)

Optimize Your Supply Chain with WIN SOURCE Solutions

-  Global Sourcing Solution
-  Obsolete Management
-  Cost Control Management
-  Shortage Management
-  Alternative Solution
-  Excess Inventory Management