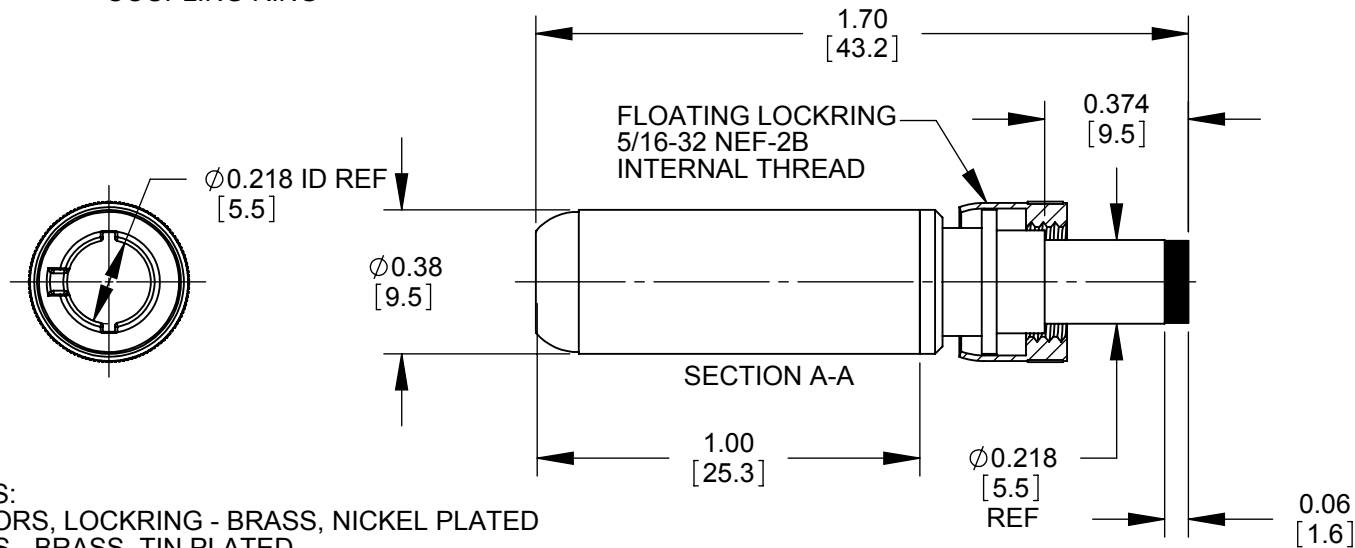
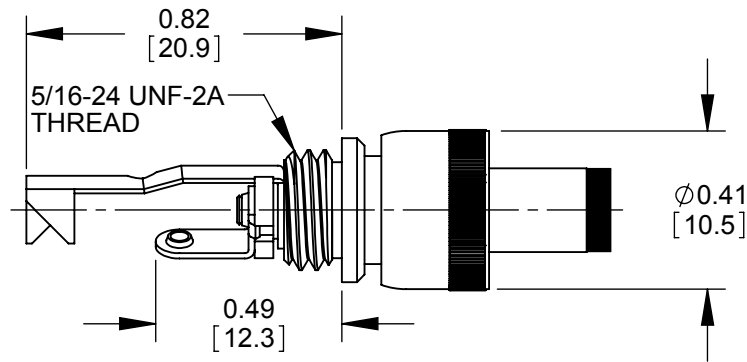
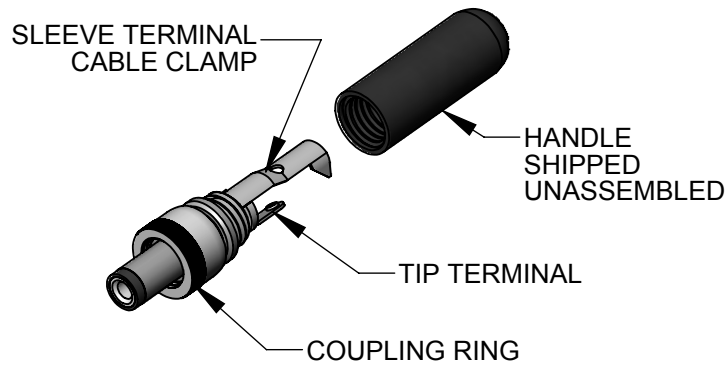


PART NUMBER	HANDLE COLOR
760KH	BLACK
765KH	RED



NOTES:

1. MATERIALS:
CONDUCTORS, LOCKRING - BRASS, NICKEL PLATED
TERMINALS - BRASS, TIN PLATED
INSULATORS, HANDLE - THERMOPLASTIC
2. THIS PRODUCT IS RoHS COMPLIANT

PRELIMINARY

CUSTOMER DRAWING

THIS DRAWING DESCRIBES A DESIGN CONSIDERED PROPRIETARY IN NATURE, DEVELOPED AND MANUFACTURED BY SWITCHCRAFT INC. AND IS RELEASED ON A CONFIDENTIAL BASIS FOR IDENTIFICATION PURPOSES ONLY.


					UNLESS OTHERWISE SPECIFIED					SIZE	WIDTH	MULT	LBS/M	TEMPER		
					1. ALL DIMENSIONS IN INCHES - TWO PLACE DECIMALS ±0.02 - THREE PLACE DECIMALS ±0.005					FINISH		MATERIAL				
										SPEC No.		SPEC No.				
										FIRST USED ON		SCALE 2:1				
0A	PDR 15004	6/27/16	PNK	SRC						DATE DRAWN	BY	CHKD	APVD	Switchcraft®		
REV	ECO NUMBER	DATE	BY	APVD						6-27-16	PNK	6-27-16	6-27-16		SHEET 1 OF 1	
REVISIONS					DO NOT SCALE DRAWING					NAME Ø 0.10 [2.5]mm x 0.374 LONG HT POWER PLUG W/LOCKRING, RoHS					PART No.	REV
															760KH-765KH	0A

SolidWorks CAD File



Looking for pricing, stock, or lifecycle information?

Click below to explore more details on WIN SOURCE:

 [View 760KH on WIN SOURCE](#)

 [Switchcraft Inc. Information](#)

Optimize Your Supply Chain with WIN SOURCE Solutions

-  Global Sourcing Solution
-  Obsolete Management
-  Cost Control Management
-  Shortage Management
-  Alternative Solution
-  Excess Inventory Management