



**THE DATASHEET OF  
PPTC052LFBN**



| POSITIONS | NO. OF CONTACTS<br>SINGLE / DUAL | A     |       | B     |        |
|-----------|----------------------------------|-------|-------|-------|--------|
|           |                                  | INCH  | MM    | INCH  | MM     |
| 2         | 02/04                            | 0.100 | 2.54  | 0.220 | 5.58   |
| 3         | 03/06                            | 0.200 | 5.08  | 0.320 | 8.12   |
| 4         | 04/08                            | 0.300 | 7.62  | 0.420 | 10.66  |
| 5         | 05/10                            | 0.400 | 10.16 | 0.520 | 13.20  |
| 6         | 06/12                            | 0.500 | 12.70 | 0.620 | 15.74  |
| 7         | 07/14                            | 0.600 | 15.24 | 0.720 | 18.28  |
| 8         | 08/16                            | 0.700 | 17.78 | 0.820 | 20.82  |
| 9         | 09/18                            | 0.800 | 20.32 | 0.920 | 23.36  |
| 10        | 10/20                            | 0.900 | 22.86 | 1.020 | 25.90  |
| 11        | 11/22                            | 1.000 | 25.40 | 1.120 | 28.44  |
| 12        | 12/24                            | 1.100 | 27.94 | 1.220 | 30.98  |
| 13        | 13/26                            | 1.200 | 30.48 | 1.320 | 33.52  |
| 14        | 14/28                            | 1.300 | 33.02 | 1.420 | 36.06  |
| 15        | 15/30                            | 1.400 | 35.56 | 1.520 | 38.60  |
| 16        | 16/32                            | 1.500 | 38.10 | 1.620 | 41.14  |
| 17        | 17/34                            | 1.600 | 40.64 | 1.720 | 43.68  |
| 18        | 18/36                            | 1.700 | 43.18 | 1.820 | 46.22  |
| 19        | 19/38                            | 1.800 | 45.72 | 1.920 | 48.76  |
| 20        | 20/40                            | 1.900 | 48.26 | 2.020 | 51.30  |
| 21        | 21/42                            | 2.000 | 50.80 | 2.120 | 53.84  |
| 22        | 22/44                            | 2.100 | 53.34 | 2.220 | 56.38  |
| 23        | 23/46                            | 2.200 | 55.88 | 2.320 | 58.92  |
| 24        | 24/48                            | 2.300 | 58.42 | 2.420 | 61.46  |
| 25        | 25/50                            | 2.400 | 60.96 | 2.520 | 64.00  |
| 26        | 26/52                            | 2.500 | 63.50 | 2.620 | 66.54  |
| 27        | 27/54                            | 2.600 | 66.04 | 2.720 | 69.08  |
| 28        | 28/56                            | 2.700 | 68.58 | 2.820 | 71.62  |
| 29        | 29/58                            | 2.800 | 71.12 | 2.920 | 74.16  |
| 30        | 30/60                            | 2.900 | 73.66 | 3.020 | 76.70  |
| 31        | 31/62                            | 3.000 | 76.20 | 3.120 | 79.24  |
| 32        | 32/64                            | 3.100 | 78.74 | 3.220 | 81.78  |
| 33        | 33/66                            | 3.200 | 81.28 | 3.320 | 84.32  |
| 34        | 34/68                            | 3.300 | 83.82 | 3.420 | 86.86  |
| 35        | 35/70                            | 3.400 | 86.36 | 3.520 | 89.40  |
| 36        | 36/72                            | 3.500 | 88.90 | 3.620 | 91.94  |
| 37        | 37/74                            | 3.600 | 91.44 | 3.720 | 94.48  |
| 38        | 38/76                            | 3.700 | 93.98 | 3.820 | 97.02  |
| 39        | 39/78                            | 3.800 | 96.52 | 3.920 | 99.56  |
| 40        | 40/80                            | 3.900 | 99.06 | 4.020 | 102.10 |

**PART NUMBER CODING**

**xPxCxx xLFBN-RC**

**NUMBER OF ROWS**

- 1 = SINGLE ROW
- 2 = DUAL ROWS

**NUMBER OF POSITIONS**

(CONTACTS PER ROW, 2 THRU 40)

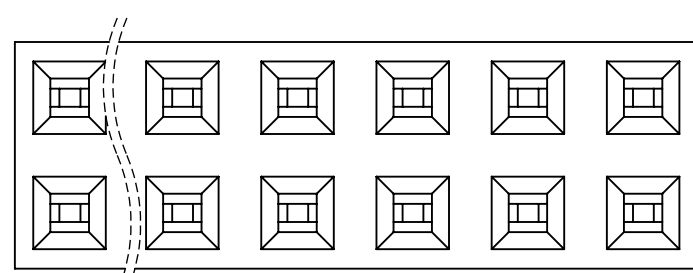
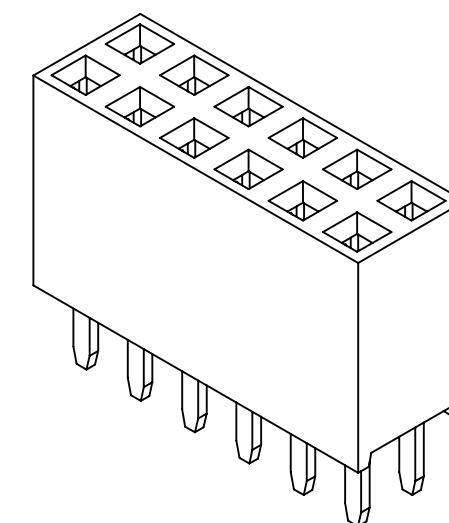
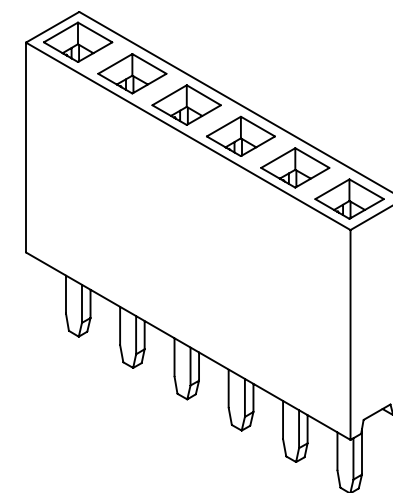
**PLATING**

- P = GOLD FLASH OVERALL
- T = TIN OVERALL

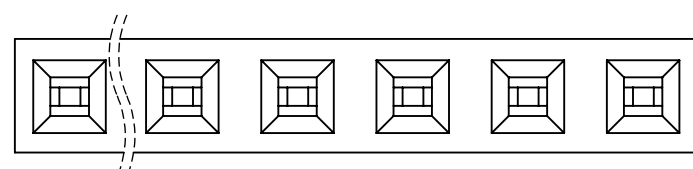
**INSULATOR MATERIAL**

- P = POLYESTER, UL 94V-0.
- \*PROCESSING TEMP. = 210° C FOR 5 SECS.
- N = NYLON 6T.
- \*PROCESSING TEMP. = 260° C FOR 10 SECS.

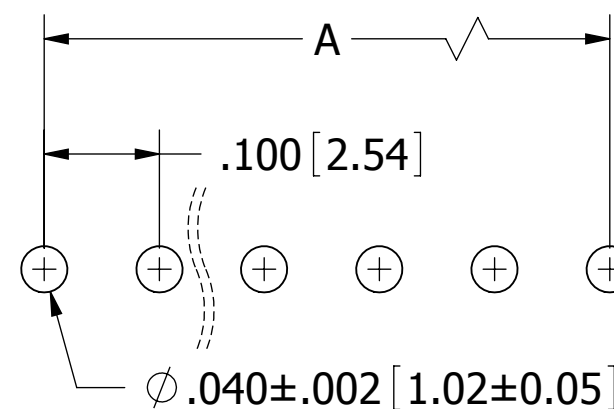
| REVISIONS |         |   |            |    |
|-----------|---------|---|------------|----|
| REV.      | ECO. NO | DESCRIPTION   | DATE       | BY |
| A         | 648     | INITIAL RELEASE   | 6/15/2005  | TT |
| B         | 736     | DIM B LETTER, PINS WIDTH  | 6/19/2005  | TT |
| C         | 1126    | UPDATE SPECIFICATIONS   | 6/12/2006  | TT |
| D         | 1533    | ADDED MIN/MAX CONTACT DEPTH DIM                                       | 10/18/2007 | VJ |
| E         | 1869    | UPDATE MAX CONTACT DEPTH, TOLERANCE & NOTE, ADD SINGLE ROW PCB LAYOUT | 12/23/2008 | JH |



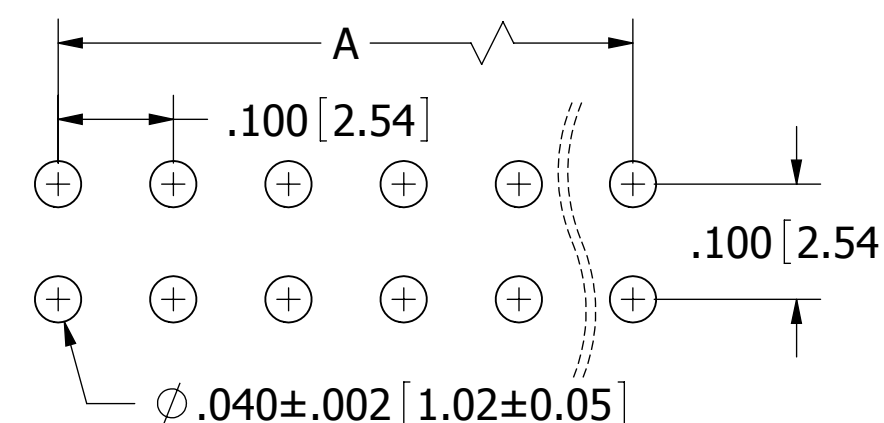
**DUAL ROWS**



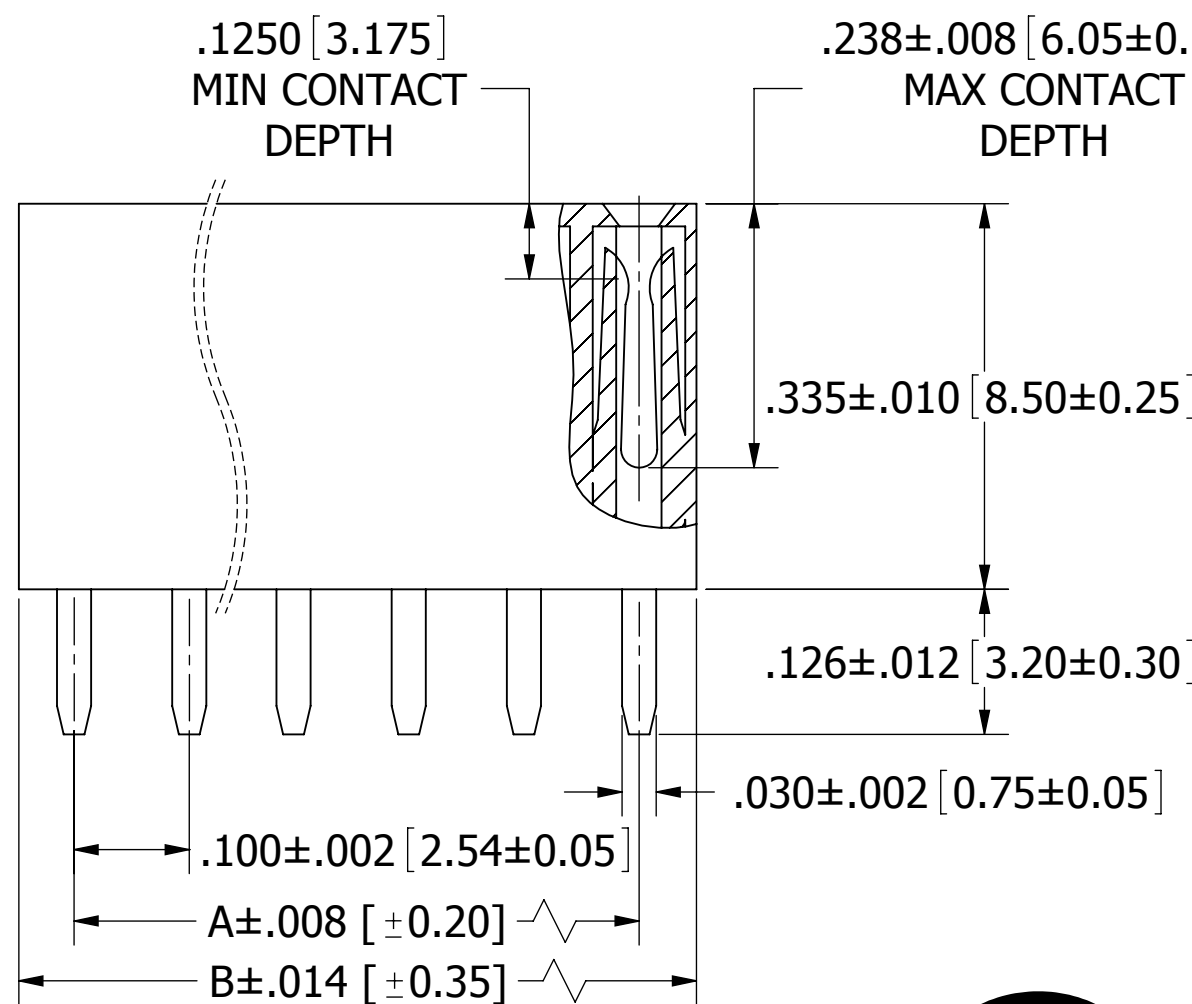
**SINGLE ROW**



RECOMMENDED PCB LAYOUT  
**SINGLE ROW**

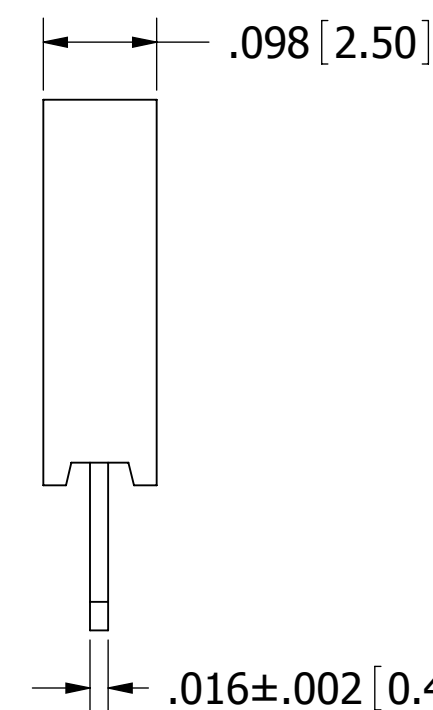


RECOMMENDED PCB LAYOUT  
**DUAL ROWS**

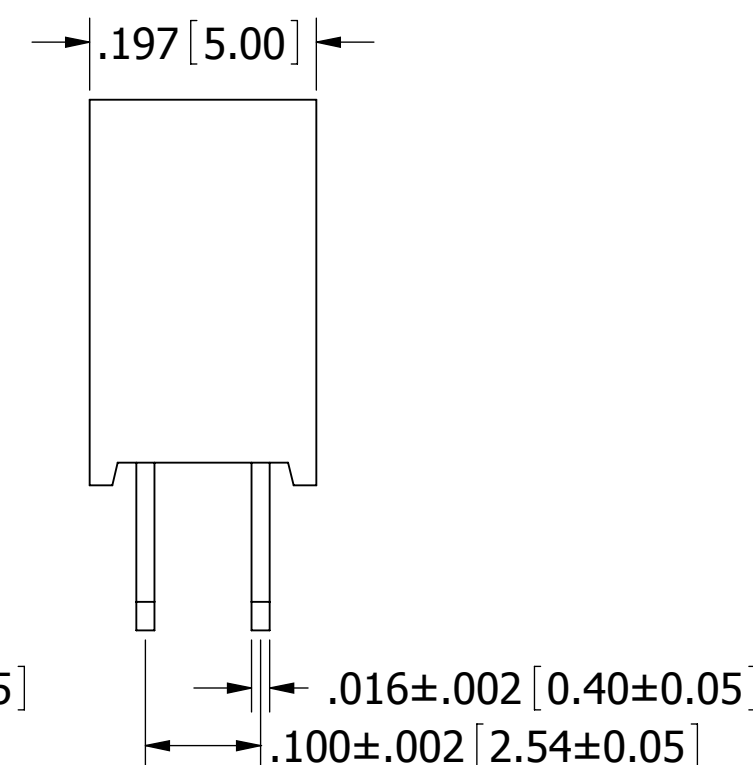


02-20, 0.20mm MAX.  
21-40, 0.30mm MAX.

**SINGLE ROW**



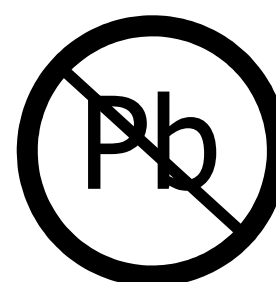
**DUAL ROWS**



**NOTES:**

1. INSULATOR MATERIAL: SEE PART NUMBER CODING.
2. CONTACT MATERIAL: PHOSPHOR BRONZE.
3. CONTACT PLATING: SEE PART NUMBER CODING.
4. CURRENT RATING: 3 AMPS
5. INSULATOR RESISTANCE: 5000 MEGOHMS MIN.
6. CONTACT RESISTANCE: 20 MILLIOHMS MAX.
7. DIELECTRIC WITHSTANDING: AC 500V.
8. OPERATING TEMPERATURE: -40° C TO +105° C.

\*INDICATED TEMPERATURE AND TIME IS FOR COMPONENT INSULATOR. HIGHER PROCESSING TEMPERATURES MAY BE USED, PROVIDED HEAT IS APPLIED FROM BACK SIDE OF PCB, AND INSULATOR DOES NOT EXCEED INDICATED TEMPERATURE AND TIME.



**RoHS COMPLIANT**

UNLESS OTHERWISE SPECIFIED:  
DIMENSIONS ARE IN INCHES[MM]  
TOLERANCES:  
ANGULAR: ± 5°  
.X = ± .012 [ .30]  
.XX = ± .008 [ .20]  
.XXX = ± .006 [ .15]  
SURFACE FINISH: 63 R<sub>a</sub>  
REMOVE ALL BURRS AND SHARP EDGES .010 MAX

INTERPRET DIMENSIONS AND GEOMETRIC TOLERANCING PER: ANSI Y14.5M-1994



| DRAWN | DATE     | NAME |
|-------|----------|------|
| JH    | 12/15/08 | JH   |

THE INFORMATION HEREIN CONTAINS PROPRIETARY INFORMATION OF SULLINS ELECTRONICS AND IS NOT TO BE REPRODUCED, USED OR DISCLOSED TO OTHERS FOR ANY PURPOSE EXCEPT AS SPECIFICALLY AUTHORIZED IN WRITING BY AN OFFICER OF SULLINS ELECTRONICS.

|  |                          |
|--|--------------------------|
|  |                          |
| DESCRIPTION<br><b>HEADER FEMALE, 2.54mm CC, ST</b> |                          |
| PART NUMBER<br><b>xPxCxxxLFBN-RC</b>               |                          |
| SIZE<br><b>C</b>                                   | DWG. NO.<br><b>10492</b> |
| SCALE: 16:1  |                          |
| SHEET 1 OF 1                                       |                          |

## Looking for pricing, stock, or lifecycle information?

Click below to explore more details on WIN SOURCE:

-  [View PPTC052LFBN](#) on WIN SOURCE
-  [Sullins Connector Solutions](#) Information

## Optimize Your Supply Chain with WIN SOURCE Solutions

-  Global Sourcing Solution
-  Obsolete Management
-  Cost Control Management
-  Shortage Management
-  Alternative Solution
-  Excess Inventory Management