

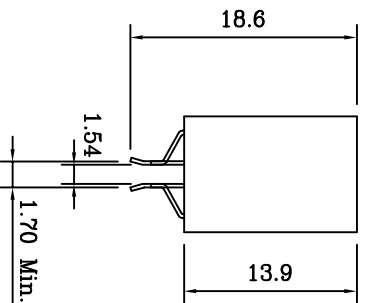
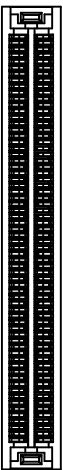
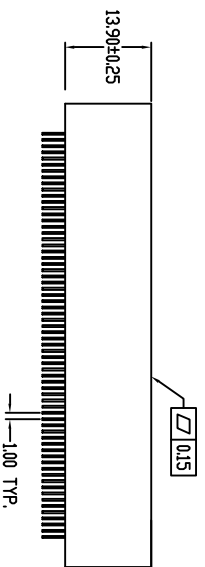
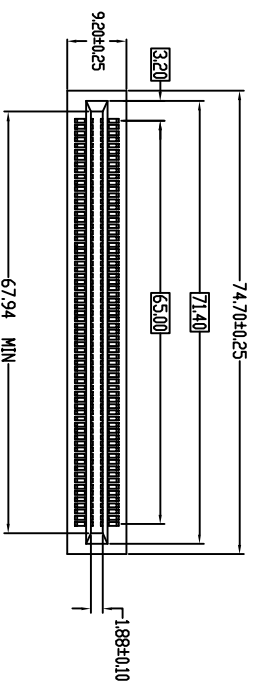


**THE DATASHEET OF  
LPWE066DKRN-TAGP**



# MATERIALS

- \* Body : P.C.T. (ul-94V-0)
- \* Contact : phosphor Bronze
- \* Contact plating : Gold flash in contact area  
Tin / Lead on tails



B	6-13-03	BC	Revised body angle	DESCRIPTION
REV.	DATE	CHK		
San Marcos, CA		Fax: 760 744-6081		
Tel: 760 744-0125		www.SullinsElectronics.com		
DRAWN	DESCRIPTION		AGP Imm Edge Card	
APP.	PART NUMBER	IPWE066DKRN-TAGP		
SCALE	SIZE	SHEET	1 of 1	REV. B
NTS				

# SULLINS ELECTRONICS CORP.

## Looking for pricing, stock, or lifecycle information?

Click below to explore more details on WIN SOURCE:

-  [View LPWE066DKRN-TAGP on WIN SOURCE](#)
-  [Sullins Connector Solutions Information](#)

## Optimize Your Supply Chain with WIN SOURCE Solutions

-  Global Sourcing Solution
-  Obsolete Management
-  Cost Control Management
-  Shortage Management
-  Alternative Solution
-  Excess Inventory Management