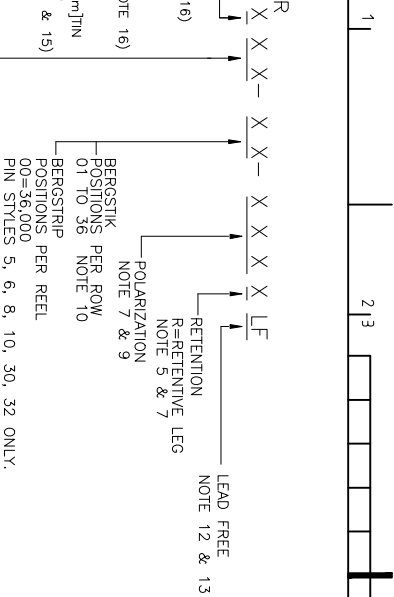


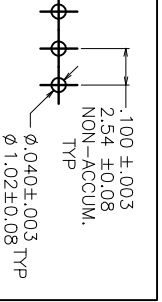
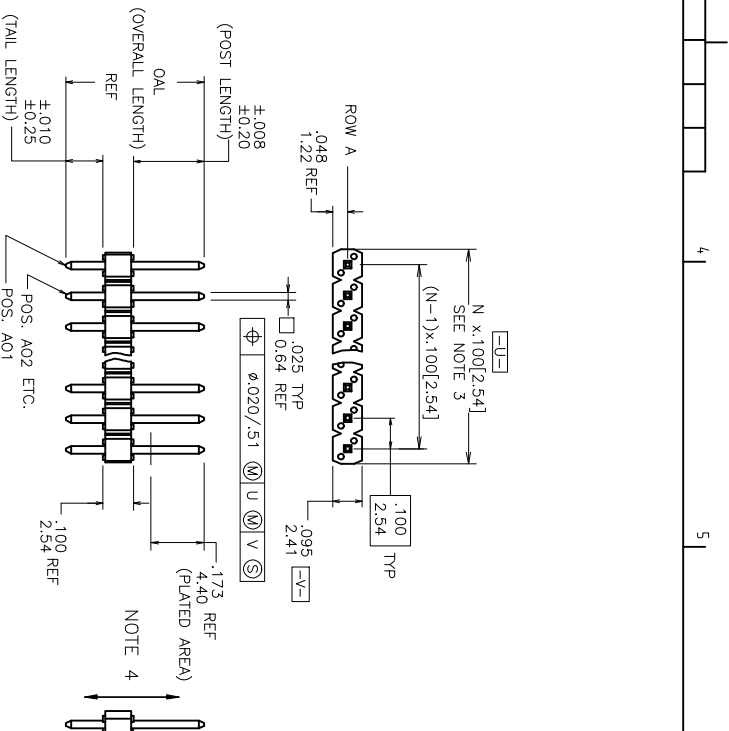


**THE DATASHEET OF**  
**54101-S3016A01LF**





STYLE	POST	TAIL	OAL
05	0.230/5.84	0.095/2.41	0.425/10.80
06	0.230/5.84	0.110/2.79	0.440/11.18
08	0.230/5.84	0.120/3.05	0.450/11.43
10	0.230/5.84	0.150/3.81	0.480/12.19
12	0.230/5.84	0.300/7.62	0.630/16.00
30	0.318/8.08	0.120/3.05	0.538/13.67
32	0.318/8.08	0.150/3.81	0.568/14.43
34	0.318/8.08	0.212/5.38	0.630/16.00

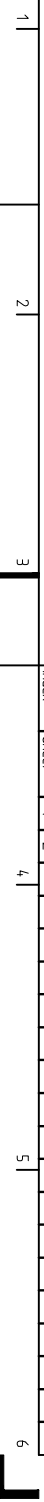


RECOMMENDED HOLE PATTERN

mat'l. code	surf. code	ISO 1902	tolerance	projection	product family
SEE NOTES 1 & 2	ISO 1902	ISO 1902	ISO 1902	ISO 1902	BERGSTIK
lfr	ECN NO	date	ISO 1902	ISO 1902	
N	M06-0346 MHT	9/04/06	sigles	MELD/MH3	
P	M07-0247 ACS	5/28/07	linear	MM06/MH11	
R	M07-0337 MHT	7/23/07	0"±2	MM06/MH11	
S	M07-0361 MHT	8/14/07	DIINGRAM	05/10/93	
T	M08-0237 MHT	8/25/08	H.SUNDY	07/5/99	
U	M08-0279 MHT	9/30/08	H.SUNDY	07/15/99	
V	M09-0090 MHT	6/19/09	apnd	H.SUNDY	07/15/99
Sheet	revision	V	V	V	
index	sheet	1	2		



product family: BERGSTIK  
 title: .100 UNSHROUDED HDR.  
 S/R VERT. THRU HOLE  
 sheet 1 of 2  
 size A3  
 Product Customer Drawing





TEMPERATURE THERMOPLASTIC. UL94V-0, COLOR: BLACK

RETARDENT  
ACK.  
BRONZE

PER ROW.  
00[2,54]=1.00[25.40].  
TION IN EITHER DIRECTION.

TO TAIL LENGTH .120/3.05 ONLY. (4 PINS PER PART HAVE RETENTION FORCE AND .25LB./KGF MIN RETENTION FORCE PER RETENTIVE PIN SCOUT BOARD AND RECOMMENDED HOLE PATTERN. RETENTIVE LOCATION MANUFACTURER. IF FEATURE IS NOT APPLICABLE, REMOVE FROM PRODUCT S. NOT REFERENCED.

Y BAGS. BERGSTRIIP PACKAGED PER REEL.  
N NOT APPLICABLE TO BERGSTRIIP.  
m Ni.  
POSITION NUMBER (i.e., A03=ROW A POS. 3)

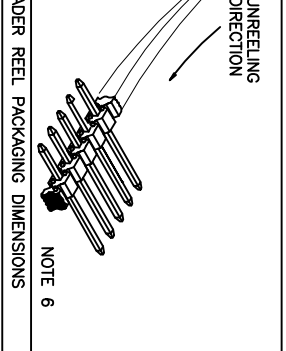
ABLE, REMOVE FROM PRODUCT

50 CAN BE PRODUCED, BUT FLATNESS AND CURVATURE MAY NOT BE HELD  
PRODUCT MAY HAVE BARE METAL ON TWO SIDES, BOTH ENDS.  
AT THE END ARE LEAD FREE.

OPEN UNION DIRECTIVES AND OTHER  
DESCRIBED IN GS-22-008.

AND EXPOSURE TO 260°C PEAK TEMPERATURE  
INJECTION, INFRA-RED OR VAPOR PHASE REFLOW  
METHODS/PROCEDURES IF THEY ARE AVAILABLE OR  
SOLDER APPLICATION WITH A 1.5mm  
ARD.

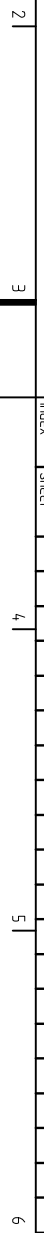
PURE TIN PLATING IN THE INTERFACE AND  
R WHISKER GROWTH IN ALL INTERCONNECT  
SXT PLATED AT MANUFACTURER'S OPTION.



Cross Reference

CORE RANGE	EXTENDED RANGE
77311-101-XXLF	54101-G05XXLF
77311-801-XXLF	54101-S05XXLF
77311-118-XXLF	54101-G08XXLF
77311-818-XXLF	54101-S08XXLF

mat'l code	surface		tolerance	projection	product family
SEE NOTES 1 & 2	ISO 1302	<input checked="" type="checkbox"/>	ISO 1301		BERGSTIK
lit-ecrn no	dr	date	distance press stroke speed	INCH/MM	title
V			angles	Scale: 1:1	.100 UNSHROUDED HDR.
			linear	MM/100/XX/100/6	S/R VERT. THRU HOLE
			0+Z"	MM/100/XX/100/6	dwg no
			dr	D:INGRAM	05/10/99
			eng	H:SUNDY	07/15/99
			chr	H:SUNDY	07/15/98
			appd	H:SUNDY	07/15/99
sheet	revision				type
index	sheet				Product Customer Drawing



## Looking for pricing, stock, or lifecycle information?

Click below to explore more details on WIN SOURCE:

[View 54101-S3016A01LF on WIN SOURCE](#)

[Amphenol FCI Information](#)

## Optimize Your Supply Chain with WIN SOURCE Solutions

- ✓ Global Sourcing Solution
- ✓ Obsolete Management
- ✓ Cost Control Management
- ✓ Shortage Management
- ✓ Alternative Solution
- ✓ Excess Inventory Management