



**THE DATASHEET OF
RSHN-2003L**



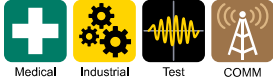
3A to 300A, 250VAC EMI Filters

Features

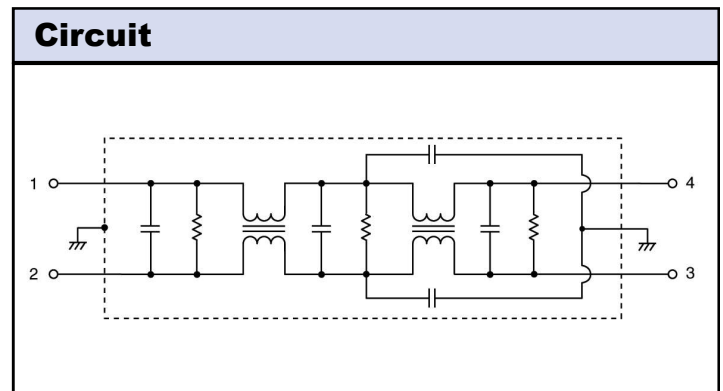
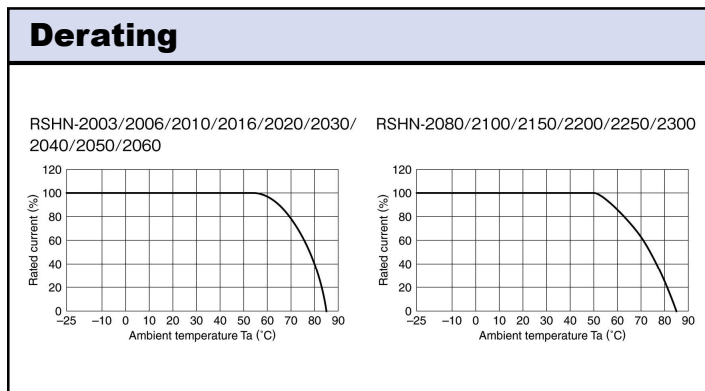
- ◆ Two Stage Filter for Better Performance
- ◆ DIN Rail Mount Option (Up 30A)
- ◆ Low Earth Leakage Current Option (Up to 30A)
- ◆ Conforms to UL, CSA and EN Safety Agency Certifications



Key Market Segments & Applications



| Specifications | | | | | | |
|------------------------------|----|---|---------------------------------------|---------------------------------------|---------------------------------------|---------------------------------------|
| Model | | RSHN-2003 RSHN-2003D RSHN-2003L | RSHN-2006 RSHN-2006D RSHN-2006L | RSHN-2010 RSHN-2010D RSHN-2010L | RSHN-2016 RSHN-2016D RSHN-2016L | RSHN-2020 RSHN-2020D RSHN-2020L |
| Rated Voltage (AC, DC) | V | 250V | | | | |
| Rated Current | A | 3A | 6A | 10A | 16A | 20A |
| DC Resistance (total) | mΩ | 350 | 140 | 60 | 35 | 22 |
| Model | | RSHN-2030 RSHN-2030D RSHN-2030L | RSHN-2040 | RSHN-2050 | RSHN-2060 | RSHN-2080 |
| Rated Voltage (AC, DC) | V | 250V | | | | |
| Rated Current | A | 30A | 40A | 50A | 60A | 80A |
| DC Resistance (total) | mΩ | 12 | 10 | 8 | 6 | 7 |
| Model | | RSHN-2100 | RSHN-2150 | RSHN-2200 | RSHN-2250 | RSHN-2300 |
| Rated Voltage (AC, DC) | V | 250V | | | | |
| Rated Current | A | 100A | 150A | 200A | 250A | 300A |
| DC Resistance (total) | mΩ | 6 | 4 | 3 | 2 | 1.5 |
| Withstand Voltage | V | Terminals to Case: 2500VAC (1 Minute) | | | | |
| Isolation Resistance | MΩ | 100MΩ minimum (500VDC, 1 Minute) | | | | |
| Leakage Current (max) | A | RSHN-20xx 1mA; RSHN20xxL 100uA (250VAC, 60Hz) | | | | |
| Operating Temperature | °C | -25 to +85°C (Derate above 50 / 55°C, see derating curve) | | | | |
| Storage Temperature | °C | -25 to +85°C | | | | |
| Safety Agency Certifications | - | Up to 30A Models - UL1283, CSA C22.2 No.8, EN60939 | | | | |
| Weight | g | 190g to 13000g model dependant (See weights chart on website) | | | | |
| Warranty | yr | 5 Year | | | | |

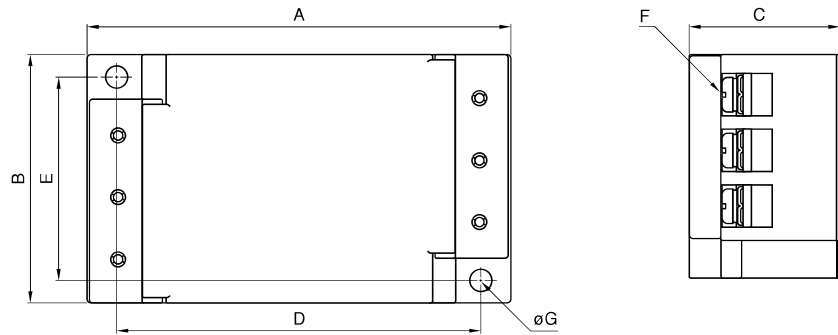


Options

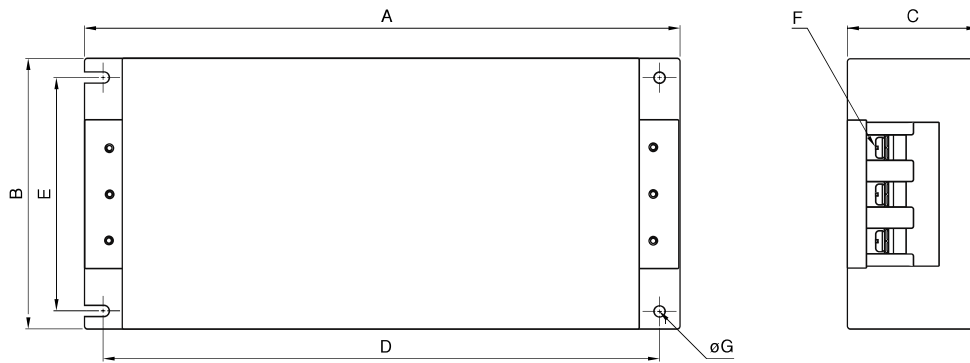
| | |
|---|------------|
| Chassis Mount & Standard Leakage Current | RSHN-20xx |
| DIN Rail Mount & Standard Leakage Current | RSHN-20xxD |
| Chassis Mount & Low Leakage Current | RSHN-20xxL |

Outline Drawing

RSHN-2003/2006/2010/2016/2020/2030



RSHN-2040/2050/2060/2080/2100/2150/2200/2250/2300



Dimensions in mm



| Part No. | A | B | C | D | E | F | G | Recommended clamping torque |
|-----------|-----|-----|-----|-----|-----|-----|-----|-----------------------------|
| RSHN-2003 | 98 | 52 | 35 | 86 | 43 | M4 | 4.5 | 1.27N m |
| RSHN-2006 | | | | | | | | |
| RSHN-2010 | | | | | | | | |
| RSHN-2016 | | | | | | | | |
| RSHN-2020 | 127 | 52 | 35 | 115 | 43 | M4 | 4.5 | 1.27N m |
| RSHN-2030 | | | | | | | | |
| RSHN-2040 | | | | | | | | |
| RSHN-2050 | 272 | 100 | 60 | 254 | 82 | M5 | 5.5 | 2.5N m |
| RSHN-2060 | | | | | | | | |
| RSHN-2080 | | | | | | | | |
| RSHN-2100 | 430 | 161 | 85 | 410 | 135 | M8 | 6.5 | 7.64N m |
| RSHN-2150 | | | | | | | | |
| RSHN-2200 | 593 | 195 | 103 | 573 | 169 | M10 | 6.5 | 11.8N m |
| RSHN-2250 | | | | | | | | |
| RSHN-2300 | | | | | | | | |

For Additional Information, please visit
us.tdk-lambda.com/lp/products/r-series.htm



Looking for pricing, stock, or lifecycle information?

Click below to explore more details on WIN SOURCE:

-  [View RSHN-2003L on WIN SOURCE](#)
-  [TDK-Lambda Americas Inc. Information](#)

Optimize Your Supply Chain with WIN SOURCE Solutions

-  Global Sourcing Solution
-  Obsolete Management
-  Cost Control Management
-  Shortage Management
-  Alternative Solution
-  Excess Inventory Management