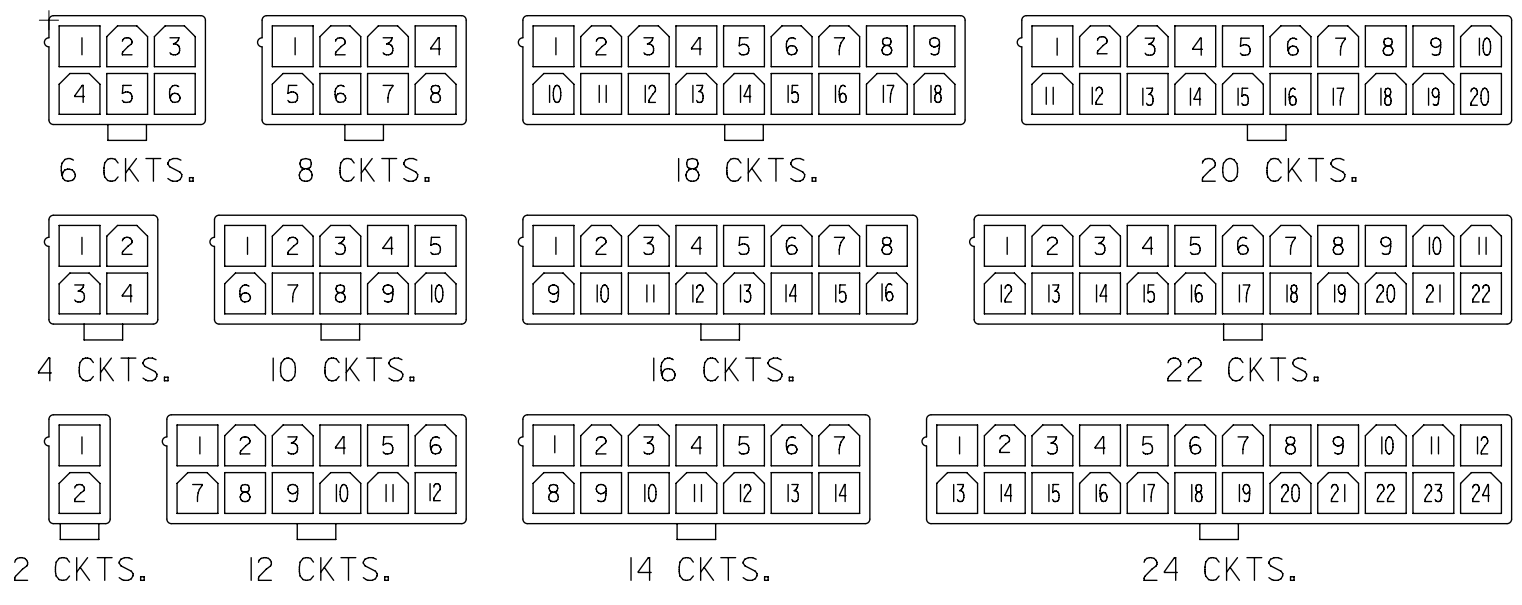




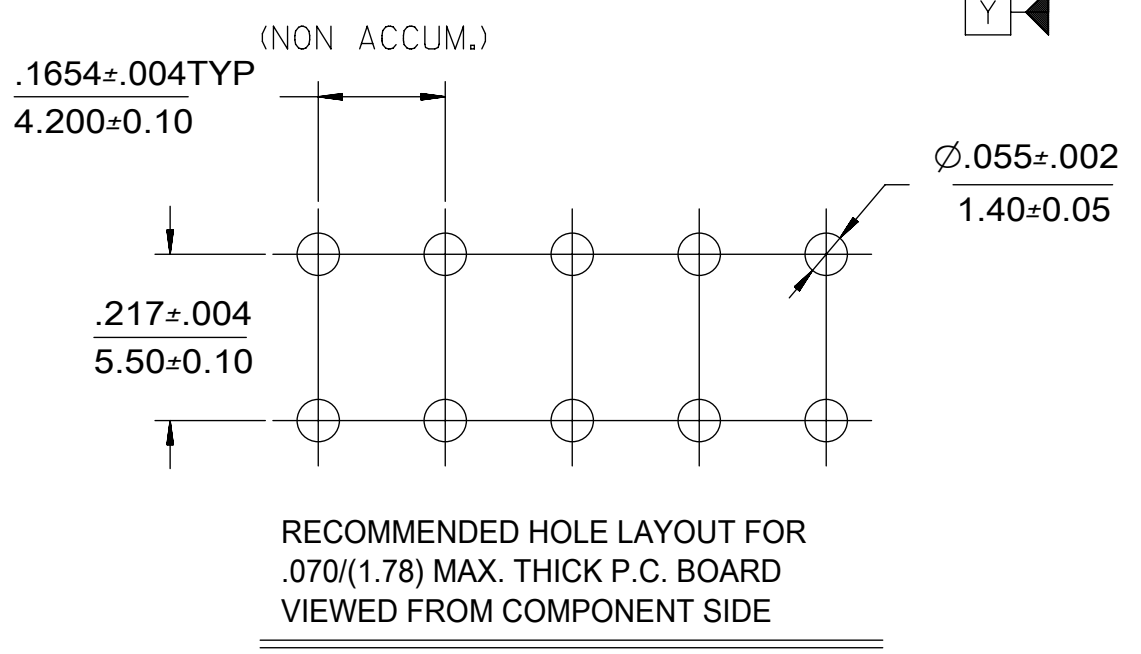
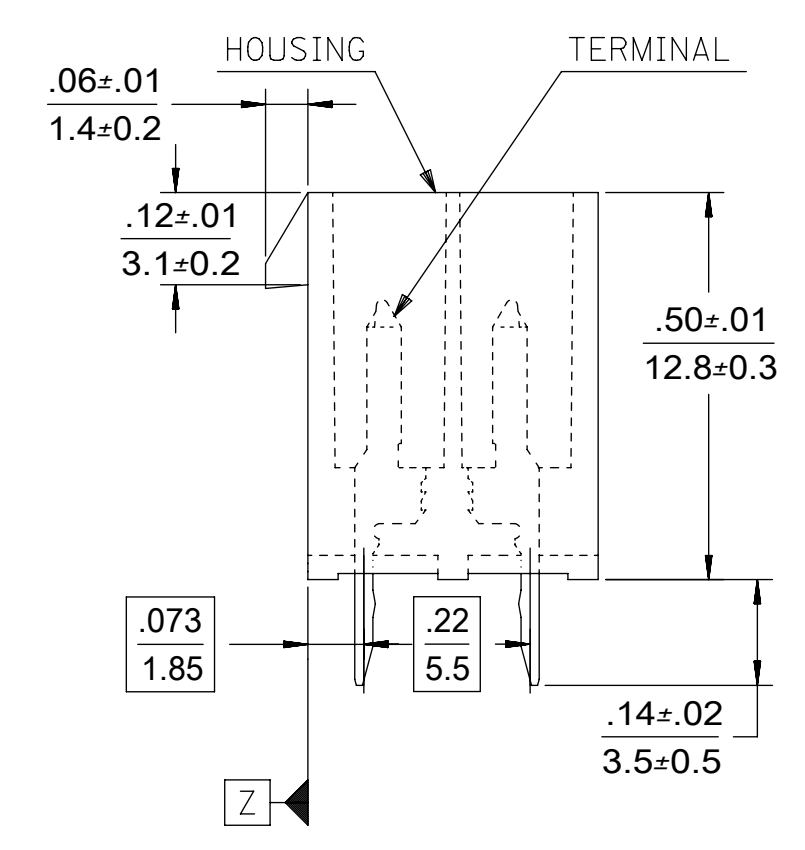
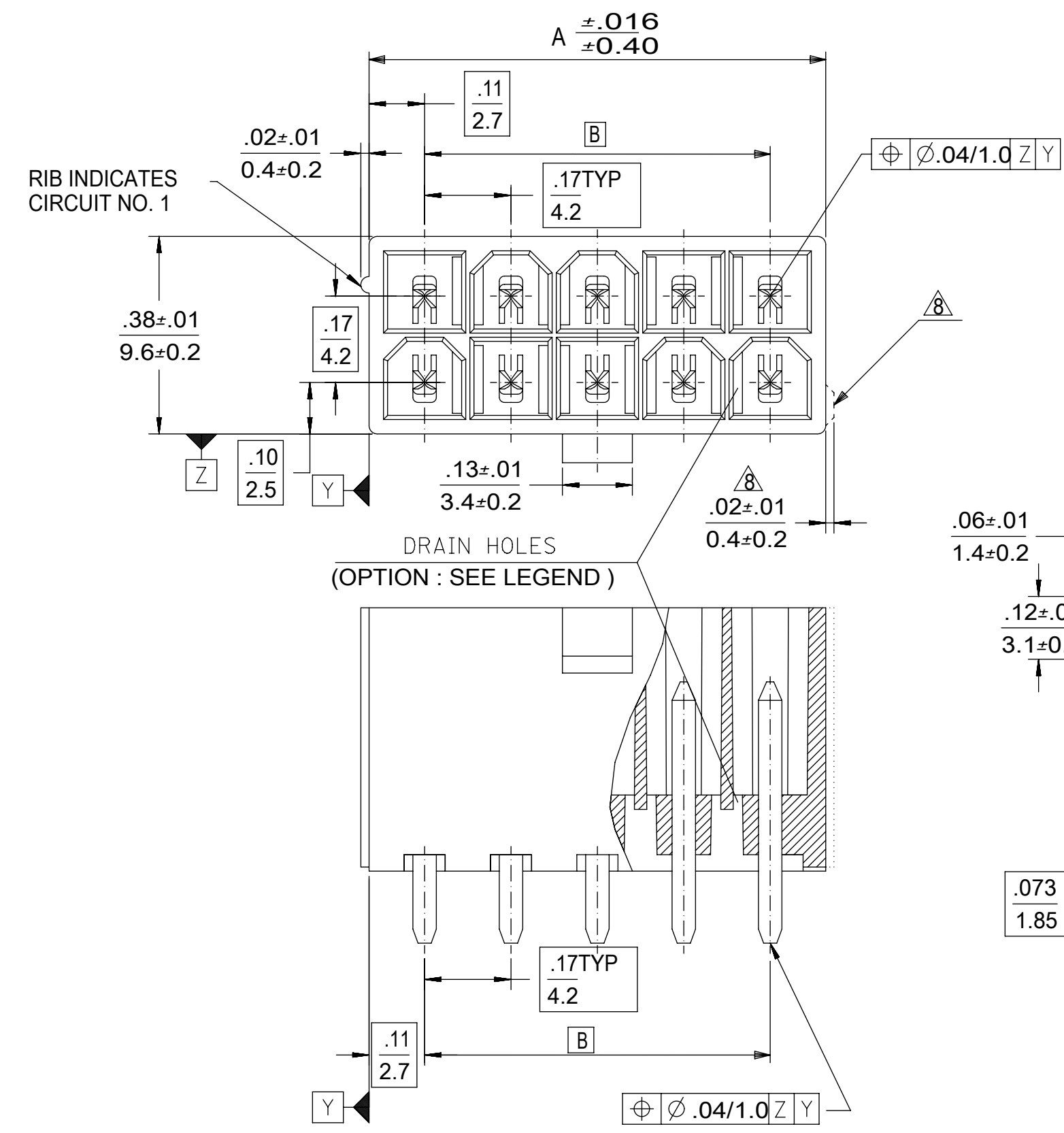
THE DATASHEET OF
39281043



| CIRCUIT SIZE | DIM. "A" | DIM. "B" |
|--------------|----------------|----------------|
| 2 | .21 (5.4) | — |
| 4 | .38 (9.6) | .17 (4.2) |
| 6 | .54 (13.8) | .33 (8.4) |
| 8 | .71 (18.0) | .50 (12.6) |
| 10 | .87 (22.2) | .66 (16.8) |
| 12 | 1.04 (26.4) | .83 (21.0) |
| 14 | 1.20 (30.6) | .99 (25.2) |
| 16 | 1.37 (34.8) | 1.16 (29.4) |
| 18 | 1.54 (39.0) | 1.32 (33.6) |
| 20 | 1.70 (43.2) | 1.49 (37.8) |
| 22 | 1.87 (47.4) | 1.65 (42.0) |
| 24 | 2.03 (51.6) | 1.82 (46.2) |

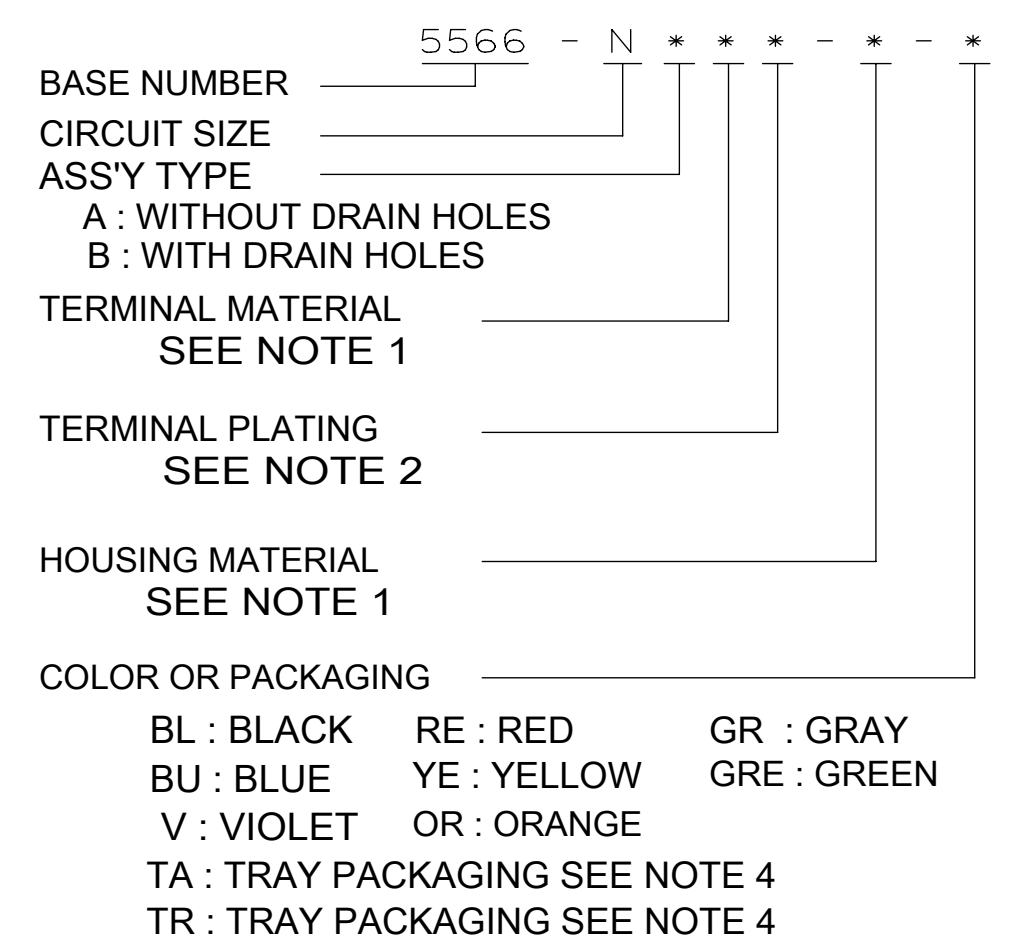


CIRCUIT SIZE LAYOUT



- NOTES:
- MATERIALS:
HOUSING:
"BLANK"=NYLON 6/6, UL94V-2, COLOR: NATURAL
"210"=NYLON 6/6, UL94V-0, COLOR: NATURAL
"400"=NYLON 6/6, UL94V-0, COLOR: BLACK
TERMINALS:
"BLANK" = BRASS
"PB" = PHOSPHOR BRONZE
 - TERMINAL PLATING:
"BLANK" = REFLOWED MATTE TIN .000035/(0.00090) MIN.
OVER COPPER .000020/(0.00050) MIN. (BRASS) (PREPLATE)
OR REFLOWED MATTE TIN .000035/(0.00090) MIN. (PHOSPHOR BRONZE) (PREPLATE)
(FINISH IS BRIGHT IN APPEARANCE, THICKNESS AS APPLIED PRIOR TO REFLOW)
"S"=.000100/(0.00254) MIN. BRIGHT TIN OVER
.000050/(0.00127) MIN NICKEL
"MS"=.000100/(0.00254) MIN. MATTE TIN OVER
.000050/(0.00127) MIN NICKEL
"GS2"=.000015/(0.00038) MIN. SELECT GOLD AND
.000100/(0.00254) MIN. SELECT MATTE TIN
OVER .000050/(0.00127) MIN. NICKEL OVERALL
"GS"=.000030/(0.00076) MIN. SELECT GOLD AND
.000100/(0.00254) MIN. SELECT MATTE TIN
OVER .000050/(0.00127) MIN. NICKEL OVERALL
 - PRODUCT SPECIFICATION: PS-5556-001
 - PACKAGING: "BLANK"= BULK PACKED,
"TA"=TRAY PACK PER PK-5566-001, "TR"=TRAY PACK PER PK-5566
 - PART MATES WITH MINI-FIT JR. RECEPTACLE NO. 5557.
 - PART IS NOT DESIGNED FOR CURRENT SHARING.
 - PARTS ARE NOT DESIGNED TO BE MATED OR UN-MATED
WHILE CIRCUITS ARE LIVE.
 - ANTI-SHINGLING RIB MAY OR MAY NOT APPEAR ON
HOUSINGS.
 - PART CONFORMS TO CLASS "B" REQUIREMENTS OF
COSMETIC SPECIFICATION PS-45499-002.
 - TEXT ON PART IS FOR REFERENCE ONLY. TEXT AND TEXT LOCATION MAY VARY
DEPENDING ON PART NUMBER AND/OR TOOL.

LEGEND



| QUALITY SYMBOLS | | THIS DRAWING CONTAINS INFORMATION THAT IS PROPRIETARY TO MOLEX ELECTRONIC TECHNOLOGIES, LLC AND SHOULD NOT BE USED WITHOUT WRITTEN PERMISSION | | DIMENSION UNITS | | SCALE | | | | | |
|-----------------|-------|---|------|-----------------|-------|-------------|------------|--|-----------------|----------------|--------------|
| SYMBOL | VALUE | MM | INCH | IN/MM | SCALE | DRWN BY | DATE | | | | |
| ▽ | = 0 | | | | 4:1 | H.HIRAMOTO | 1989/04/03 | MINI FIT JR VERTICAL HEADER ASSEMBLIES WITHOUT PEGS | | | |
| ▽ | = 0 | | | | | CHK'D BY | DATE | | | | |
| ▽ | = 0 | | | | | M.FUKUSHIMA | 1994/04/20 | PRODUCT CUSTOMER DRAWING | | | |
| ▽ | = 0 | | | | | APPR BY | DATE | | | | |
| ▽ | = 0 | | | | | FSMITH | 2012/05/04 | SERIES | MATERIAL NUMBER | CUSTOMER | |
| ▽ | = 0 | | | | | | | 5566 | SEE TABLE | GENERAL MARKET | |
| ▽ | = 0 | | | | | | | DOCUMENT NUMBER | DOC TYPE | DOC PART | SHEET NUMBER |
| ▽ | = 0 | | | | | | | SD-5566-002 | PSD | 000 | 1 OF 5 |

| RELEASE STATUS | RELEASE DATE |
|----------------|--------------|
| 12 | 11 |

| | 12 | 11 | 10 | 9 | 8 | 7 | 6 | 5 | 4 | 3 | 2 | 1 | |
|--|---------------|------------|----------------|-------------|-----------------|------------|----------------|------------|---------------|----------|------------|--------------|-----------|
| | | | | 39-30-9245 | 5566-24AGS2-210 | 39-29-6248 | 5566-24AGS-210 | | | | 39-28-8240 | 5566-24A-210 | 24 |
| | | | | 39-30-9225 | 5566-22AGS2-210 | 39-29-6228 | 5566-22AGS-210 | | | | 39-28-8220 | -22A-210 | 22 |
| | | | | 39-30-9205 | 5566-20AGS2-210 | 39-29-6208 | 5566-20AGS-210 | | | | 39-28-8200 | -20A-210 | 20 |
| | | | | 39-30-9185 | 5566-18AGS2-210 | 39-29-6188 | 5566-18AGS-210 | | | | 39-28-8180 | -18A-210 | 18 |
| | | | | 39-30-9165 | 5566-16AGS2-210 | 39-29-6168 | 5566-16AGS-210 | 39-30-6162 | 5566-16AS-210 | | 39-28-8160 | -16A-210 | 16 |
| | | | | 39-30-9145 | 5566-14AGS2-210 | 39-29-6148 | 5566-14AGS-210 | | | | 39-28-8140 | -14A-210 | 14 |
| | | | | 39-30-9125 | 5566-12AGS2-210 | 39-29-6128 | 5566-12AGS-210 | | | | 39-28-8120 | -12A-210 | 12 |
| | | | | 39-30-9105 | 5566-10AGS2-210 | 39-29-6108 | 5566-10AGS-210 | | | | 39-28-8100 | -10A-210 | 10 |
| | | | | 39-30-9085 | 5566-08AGS2-210 | 39-29-6088 | 5566-08AGS-210 | 39-30-6082 | 5566-08AS-210 | | 39-28-8080 | -08A-210 | 8 |
| | | | | 39-30-9065 | 5566-06AGS2-210 | 39-29-6068 | 5566-06AGS-210 | 39-30-6062 | 5566-06AS-210 | | 39-28-8060 | -06A-210 | 6 |
| | | | | 39-30-9045 | 5566-04AGS2-210 | 39-29-6048 | 5566-04AGS-210 | 39-30-6042 | 5566-04AS-210 | | 39-28-8040 | -04A-210 | 4 |
| | | | | 39-30-9025 | 5566-02AGS2-210 | 39-29-6028 | 5566-02AGS-210 | | | | 39-28-8020 | 5566-02A-210 | 2 |
| | EDP NO. | ENG. NO. | EDP NO. | ENG. NO. | EDP NO. | ENG. NO. | EDP NO. | ENG. NO. | EDP NO. | ENG. NO. | EDP NO. | ENG. NO. | CKT. SIZE |
| | 5566-NAPB-210 | | 5566-NAGS2-210 | | 5566-NAGS-210 | | 5566-NAS-210 | | 5566-NA-210 | | | | |
| | 39-29-5246 | 5566-24APB | 39-30-9244 | 5566-24AGS2 | 39-29-0243 | 5566-24AGS | | | | | 39-28-1243 | 5566-24A | 24 |
| | | | 39-30-9224 | 5566-22AGS2 | 39-29-0223 | 5566-22AGS | | | | | 39-28-1223 | 5566-22A | 22 |
| | | | 39-30-9204 | 5566-20AGS2 | 39-29-0203 | 5566-20AGS | | | | | 39-28-1203 | 5566-20A | 20 |
| | | | 39-30-9184 | 5566-18AGS2 | 39-29-0183 | 5566-18AGS | | | | | 39-28-1183 | 5566-18A | 18 |
| | | | 39-30-9164 | 5566-16AGS2 | 39-29-0163 | 5566-16AGS | | | | | 39-28-1163 | 5566-16A | 16 |
| | 39-29-5146 | 5566-14APB | 39-30-9144 | 5566-14AGS2 | 39-29-0143 | 5566-14AGS | | | | | 39-28-1143 | 5566-14A | 14 |
| | | | 39-30-9124 | 5566-12AGS2 | 39-29-0123 | 5566-12AGS | | | | | 39-28-1123 | 5566-12A | 12 |
| | 39-29-5106 | 5566-10APB | 39-30-9104 | 5566-10AGS2 | 39-29-0103 | 5566-10AGS | 39-30-6101 | 5566-10AS | | | 39-28-1103 | 5566-10A | 10 |
| | 39-29-5086 | 5566-08APB | 39-30-9084 | 5566-08AGS2 | 39-29-0083 | 5566-08AGS | 39-30-6081 | 5566-08AS | | | 39-28-1083 | 5566-08A | 8 |
| | 39-29-5066 | 5566-06APB | 39-30-9064 | 5566-06AGS2 | 39-29-0063 | 5566-06AGS | | | | | 39-28-1063 | 5566-06A | 6 |
| | 39-29-5046 | 5566-04APB | 39-30-9044 | 5566-04AGS2 | 39-29-0043 | 5566-04AGS | | | | | 39-28-1043 | 5566-04A | 4 |
| | 39-29-5026 | 5566-02APB | 39-30-9024 | 5566-02AGS2 | 39-29-0023 | 5566-02AGS | | | | | 39-28-1023 | 5566-02A | 2 |
| | EDP NO. | ENG. NO. | EDP NO. | ENG. NO. | EDP NO. | ENG. NO. | EDP NO. | ENG. NO. | EDP NO. | ENG. NO. | EDP NO. | ENG. NO. | CKT. SIZE |
| | 5566-NAPB | | 5566-NAGS2 | | 5566-NAGS | | 5566-NAS | | 5566-NA | | | | |

PARTS WITHOUT DRAIN HOLES

| | | | | | | | | | | | | | |
|----------------------------|---|--|-------------------------------------|------------|--------------------------|---------------------------------|-----------------------------------|---------------------|--|-------|---------------------------------|--|--|
| QUALITY SYMBOLS | THIS DRAWING CONTAINS INFORMATION THAT IS PROPRIETARY TO MOLEX ELECTRONIC TECHNOLOGIES, LLC AND SHOULD NOT BE USED WITHOUT WRITTEN PERMISSION | | | | | | | | | | | | |
| | ADD PINS EC NO: 120605 DRWN: ZHARPER CHKD: JBELL REV: APPR: FSMITH | GENERAL TOLERANCES (UNLESS SPECIFIED) | | | | DIMENSION UNITS IN/MM | | SCALE 1:1 | | | | | |
| | | 4 PLACES ± | | 3 PLACES ± | | 2 PLACES ± | | 1 PLACES ± | | | | | |
| | | 0.13 | | 0.01 | | 0.25 | | 0.005 | | 0.01 | | | |
| | | 0.25 | | 0.01 | | 0.005 | | 0.01 | | 0.005 | | | |
| | | 0.005 | | 0.01 | | 0.01 | | 0.005 | | 0.01 | | | |
| | ANGULAR TOL = 0.5 | | | | DRAWING SIZE C | | THIRD ANGLE PROJECTION | | MINI FIT JR VERTICAL HEADER ASSEMBLIES WITHOUT PEGS | | | | |
| | DRAFT WHERE APPLICABLE MUST REMAIN WITHIN DIMENSIONS | | | | | | | | | | PRODUCT CUSTOMER DRAWING | | |
| | SERIES 5566 | | MATERIAL NUMBER SEE TABLE | | | | CUSTOMER GENERAL MARKET | | | | | | |
| | DOCUMENT NUMBER SD-5566-002 | | | | | | DOC TYPE PSD | | DOC PART 000 | | SHEET NUMBER 2 OF 5 | | |

| | | | | | |
|--|----|--|--|--|-----------|
| | | | | | 24 |
| | | | | | 22 |
| | | | | | 20 |
| | | | | | 18 |
| | | | | | 16 |
| | | | | | 14 |
| | | | | | 12 |
| | | | | | 10 |
| | | | | | 8 |
| | | | | | 6 |
| | | | | | 4 |
| | | | | | 2 |
| | | | | | CKT. SIZE |
| | | | | | |
| | | | | | 24 |
| | | | | | 22 |
| | | | | | 20 |
| | | | | | 18 |
| | | | | | 16 |
| | | | | | 14 |
| | | | | | 12 |
| | | | | | 10 |
| | | | | | 8 |
| | | | | | 6 |
| | | | | | 4 |
| | | | | | 2 |
| | | | | | CKT. SIZE |
| | | | | | |
| | | | | | 24 |
| | | | | | 22 |
| | | | | | 20 |
| | | | | | 18 |
| | | | | | 16 |
| | | | | | 14 |
| | | | | | 12 |
| | | | | | 10 |
| | | | | | 8 |
| | | | | | 6 |
| | | | | | 4 |
| | | | | | 2 |
| | | | | | CKT. SIZE |
| | | | | | |
| | | | | | 24 |
| | | | | | 22 |
| | | | | | 20 |
| | | | | | 18 |
| | | | | | 16 |
| | | | | | 14 |
| | | | | | 12 |
| | | | | | 10 |
| | | | | | 8 |
| | | | | | 6 |
| | | | | | 4 |
| | | | | | 2 |
| | | | | | CKT. SIZE |
| | | | | | |
| | | | | | 24 |
| | | | | | 22 |
| | | | | | 20 |
| | | | | | 18 |
| | | | | | 16 |
| | | | | | 14 |
| | | | | | 12 |
| | | | | | 10 |
| | | | | | 8 |
| | | | | | 6 |
| | | | | | 4 |
| | | | | | 2 |
| | | | | | CKT. SIZE |
| | | | | | |
| | | | | | 24 |
| | | | | | 22 |
| | | | | | 20 |
| | | | | | 18 |
| | | | | | 16 |
| | | | | | 14 |
| | | | | | 12 |
| | | | | | 10 |
| | | | | | 8 |
| | | | | | 6 |
| | | | | | 4 |
| | | | | | 2 |
| | | | | | CKT. SIZE |
| | | | | | |
| | | | | | 24 |
| | | | | | 22 |
| | | | | | 20 |
| | | | | | 18 |
| | | | | | 16 |
| | | | | | 14 |
| | | | | | 12 |
| | | | | | 10 |
| | | | | | 8 |
| | | | | | 6 |
| | | | | | 4 |
| | | | | | 2 |
| | | | | | CKT. SIZE |
| | | | | | |
| | | | | | 24 |
| | | | | | 22 |
| | | | | | 20 |
| | | | | | 18 |
| | | | | | 16 |
| | | | | | 14 |
| | | | | | 12 |
| | | | | | 10 |
| | | | | | 8 |
| | | | | | 6 |
| | | | | | 4 |
| | | | | | 2 |
| | | | | | CKT. SIZE |
| | | | | | |
| | | | | | 24 |
| | | | | | 22 |
| | | | | | 20 |
| | | | | | 18 |
| | | | | | 16 |
| | | | | | 14 |
| | | | | | 12 |
| | | | | | 10 |
| | | | | | 8 |
| | | | | | 6 |
| | | | | | 4 |
| | | | | | 2 |
| | | | | | CKT. SIZE |
| | | | | | |
| | | | | | 24 |
| | | | | | 22 |
| | | | | | 20 |
| | | | | | 18 |
| | | | | | 16 |
| | | | | | 14 |
| | | | | | 12 |
| | | | | | 10 |
| | | | | | 8 |
| | | | | | 6 |
| | | | | | 4 |
| | | | | | 2 |
| | | | | | CKT. SIZE |
| | | | | | |
| | | | | | 24 |
| | | | | | 22 |
| | | | | | 20 |
| | | | | | 18 |
| | | | | | 16 |
| | | | | | 14 |
| | | | | | 12 |
| | | | | | 10 |
| | | | | | 8 |
| | | | | | 6 |
| | | | | | 4 |
| | | | | | 2 |
| | | | | | CKT. SIZE |
| | | | | | |
| | | | | | 24 |
| | | | | | 22 |
| | | | | | 20 |
| | | | | | 18 |
| | | | | | 16 |
| | | | | | 14 |
| | | | | | 12 |
| | | | | | 10 |
| | | | | | 8 |
| | | | | | 6 |
| | | | | | 4 |
| | | | | | 2 |
| | | | | | CKT. SIZE |
| | | | | | |
| | | | | | 24 |
| | | | | | 22 |
| | | | | | 20 |
| | | | | | 18 |
| | | | | | 16 |
| | | | | | 14 |
| | | | | | 12 |
| | | | | | 10 |
| | | | | | 8 |
| | | | | | 6 |
| | | | | | 4 |
| | | | | | 2 |
| | | | | | CKT. SIZE |
| | | | | | |
| | | | | | 24 |
| | | | | | 22 |
| | | | | | 20 |
| | | | | | 18 |
| | | | | | 16 |
| | | | | | 14 |
| | | | | | 12 |
| | | | | | 10 |
| | | | | | 8 |
| | | | | | 6 |
| | | | | | 4 |
| | | | | | 2 |
| | | | | | CKT. SIZE |
| | | | | | |
| | | | | | 24 |
| | | | | | 22 |
| | | | | | 20 |
| | | | | | 18 |
| | | | | | 16 |
| | | | | | 14 |
| | | | | | 12 |
| | | | | | 10 |
| | | | | | 8 |
| | | | | | 6 |
| | | | | | 4 |
| | | | | | 2 |
| | | | | | CKT. SIZE |
| | | | | | |
| | | | | | 24 |
| | | | | | 22 |
| | | | | | 20 |
| | | | | | 18 |
| | | | | | 16 |
| | | | | | 14 |
| | | | | | 12 |
| | | | | | 10 |
| | | | | | 8 |
| | | | | | 6 |
| | | | | | 4 |
| | | | | | 2 |
| | | | | | CKT. SIZE |
| | | | | | |
| | | | | | 24 |
| | | | | | 22 |
| | | | | | 20 |
| | | | | | 18 |
| | | | | | 16 |
| | | | | | 14 |
| | | | | | 12 |
| | | | | | 10 |
| | | | | | 8 |
| | | | | | 6 |
| | | | | | 4 |
| | | | | | 2 |
| | | | | | CKT. SIZE |
| | | | | | |
| | | | | | 24 |
| | | | | | 22 |
| | | | | | 20 |
| | | | | | 18 |
| | | | | | 16 |
| | | | | | 14 |
| | | | | | 12 |
| | | | | | 10 |
| | | | | | 8 |
| | | | | | 6 |
| | | | | | 4 |
| | | | | | 2 |
| | | | | | CKT. SIZE |
| | | | | | |
| | | | | | 24 |
| | | | | | 22 |
| | | | | | 20 |
| | | | | | 18 |
| | | | | | 16 |
| | | | | | 14 |
| | | | | | 12 |
| | | | | | 10 |
| | | | | | 8 |
| | | | | | 6 |
| | | | | | 4 |
| | | | | | 2 |
| | | | | | CKT. SIZE |
| | | | | | |
| | | | | | 24 |
| | | | | | 22 |
| | | | | | 20 |
| | | | | | 18 |
| | | | | | 16 |
| | | | | | 14 |
| | | | | | 12 |
| | | | | | 10 |
| | | | | | 8 |
| | | | | | 6 |
| | | | | | 4 |
| | | | | | 2 |
| | | | | | CKT. SIZE |
| | | | | | |
| | | | | | 24 |
| | | | | | 22 |
| | | | | | 20 |
| | | | | | 18 |
| | | | | | 16 |
| | | | | | 14 |
| | | | | | 12 |
| | | | | | 10 |
| | | | | | 8 |
| | | | | | 6 |
| | | | | | 4 |
| | | | | | 2 |
| | | | | | CKT. SIZE |
| | | | | | |
| | | | | | 24 |
| | | | | | 22 |
| | | | | | 20 |
| | | | | | 18 |
| | | | | | 16 |
| | | | | | 14 |
| | | | | | 12 |
| | | | | | 10 |
| | | | | | 8 |
| | | | | | 6 |
| | | | | | 4 |
| | | | | | 2 |
| | | | | | CKT. SIZE |
| | | | | | |
| | | | | | 24 |
| | | | | | 22 |
| | | | | | 20 |
| | | | | | 18 |
| | | | | | 16 |
| | | | | | 14 |
| | | | | | 12 |
| | | | | | 10 |
| | | | | | 8 |
| | | | | | 6 |
| | | | | | 4 |
| | | | | | 2 |
| | | | | | CKT. SIZE |
| | | | | | |
| | | | | | 24 |
| | | | | | 22 |
| | | | | | 20 |
| | | | | | 18 |
| | | | | | 16 |
| | | | | | 14 |
| | | | | | 12 |
| | | | | | 10 |
| | | | | | 8 |
| | | | | | 6 |
| | | | | | 4 |
| | | | | | 2 |
| | | | | | CKT. SIZE |
| | | | | | |
| | | | | | 24 |
| | | | | | 22 |
| | | | | | 20 |
| | | | | | 18 |
| | | | | | 16 |
| | | | | | 14 |
| | | | | | 12 |
| | | | | | 10 |
| | | | | | 8 |
| | | | | | 6 |
| | | | | | 4 |
| | | | | | 2 |
| | | | | | CKT. SIZE |
| | | | | | |
| | | | | | 24 |
| | | | | | 22 |
| | | | | | 20 |
| | | | | | 18 |
| | | | | | 16 |
| | | | | | 14 |
| | | | | | 12 |
| | | | | | 10 |
| | | | | | 8 |
| | | | | | 6 |
| | | | | | 4 |
| | | | | | 2 |
| | | | | | CKT. SIZE |
| | | | | | |
| | | | | | 24 |
| | | | | | 22 |
| | | | | | 20 |
| | | | | | 18 |
| | | | | | 16 |
| | | | | | 14 |
| | | | | | 12 |
| | | | | | 10 |
| | | | | | 8 |
| | | | | | 6 |
| | | | | | 4 |
| | | | | | 2 |
| | | | | | CKT. SIZE |
| | | | | | |
| | | | | | 24 |
| | | | | | 22 |
| | | | | | 20 |
| | | | | | 18 |
| | | | | | 16 |
| | | | | | 14 |
| | | | | | 12 |
| | | | | | 10 |
| | | | | | 8 |
| | | | | | 6 |
| | </ | | | | |

COLORED PART NUMBERS

| | | | | | | |
|-------------|--------------|-------------|--------------|------------|-------------|-----------|
| | | | | | | 24 |
| | | | | | | 22 |
| | | | | | | 20 |
| 46999-0085 | 5566-18AS-RE | | | | | 18 |
| | | | | | | 16 |
| | | | | | | 14 |
| | | | | | | 12 |
| | | | | 46999-0087 | 5566-10AS-V | 10 |
| | | | | | | 8 |
| | | 46999-0089 | 5566-08AS-OR | | | 6 |
| | | | | | | 4 |
| | | | | | | 2 |
| EDP. NO. | ENG. NO. | EDP. NO. | ENG. NO. | EDP. NO. | ENG. NO. | CKT. SIZE |
| 5566-NAS-RE | | 5566-NAS-OR | | 5566-NAS-V | | |

| | | | | | | | | | | | | |
|----------------------------------|-------------|----------------|----------------------------------|--------------|---------------|----------------|---------------|-------------|-----------------|------------|--------------|----|
| TRAY PACKED PER TA \triangle 4 | 46999-0575 | 5566-24AMS-400 | TRAY PACKED PER TA \triangle 4 | | | | | | | 24 | | |
| | 46999-0574 | 5566-22AMS-400 | | | | | | | | | 22 | |
| | 46999-0573 | 5566-20AMS-400 | | | | | | | | | 20 | |
| | 46999-0572 | 5566-18AMS-400 | | | | | | | | | 18 | |
| | 46999-0571 | 5566-16AMS-400 | | | | | | | | | 16 | |
| | 46999-0570 | 5566-14AMS-400 | | | | | | | | | 14 | |
| | 46999-0569 | 5566-12AMS-400 | | | | | | | | | 12 | |
| | 46999-0568 | 5566-10AMS-400 | | 46999-0876 | 5566-10AMS-RE | | | | | 39-33-0108 | 5566-10A-400 | 10 |
| | 46999-0567 | 5566-08AMS-400 | | | | 46999-0091 | 5566-08AS-GRE | | | | | 8 |
| | 46999-0566 | 5566-06AMS-400 | | | | | | | | | | 6 |
| | 46999-0565 | 5566-04AMS-400 | | | | | | | | | | 4 |
| | 46999-0564 | 5566-02AMS-400 | | | | 50-36-2485 | 5566-02AS-GRE | 39-34-5023 | 5566-02A-210-YE | | | 2 |
| EDP. NO. | ENG. NO. | EDP. NO. | ENG. NO. | EDP. NO. | ENG. NO. | EDP. NO. | ENG. NO. | EDP. NO. | ENG. NO. | CKT. SIZE | | |
| 5566-NAMS-400 | | 5566-NAMS-RE | | 5566-NAS-GRE | | 5566-NA-210-YE | | 5566-NA-400 | | | | |
| | | | | | | | | | | 24 | | |
| | | | | | | | | | | 22 | | |
| | | | | | | | | | | 20 | | |
| | | | | | | | | | | 18 | | |
| | | | | | | | | | | 16 | | |
| 39-33-3145 | 5566-14A-GR | | | | | | | 39-33-3143 | 5566-14A-BL | 14 | | |
| | | | | | | | | | | 12 | | |
| | | | | 39-33-3106 | 5566-10A-RE | 39-33-3104 | 5566-10A-BU | | | 10 | | |
| | | | | 39-33-3087 | 5566-08A-YE | 39-33-3086 | 5566-08A-RE | | | 8 | | |
| | | | | 39-33-3067 | 5566-06A-YE | 39-33-3066 | 5566-06A-RE | 39-33-3064 | 5566-06A-BU | 6 | | |
| | | | | | | 39-33-3046 | 5566-04A-RE | 39-33-3044 | 5566-04A-BU | 4 | | |
| | | | | 39-33-3027 | 5566-02A-YE | 39-33-3026 | 5566-02A-RE | 39-33-3024 | 5566-02A-BU | 2 | | |
| EDP. NO. | ENG. NO. | EDP. NO. | ENG. NO. | EDP. NO. | ENG. NO. | EDP. NO. | ENG. NO. | EDP. NO. | ENG. NO. | CKT. SIZE | | |
| 5566-NA-GR | | 5566-NA-YE | | 5566-NA-RE | | 5566-NA-BU | | 5566-NA-BL | | | | |


PARTS WITHOUT DRAIN HOLES

| | | | | | | | | | | | |
|---|--------------|--------------|--------------|-----------------|--------------|------------------------|--------------|---|--------------|-------------------|--------------|
| THIS DRAWING CONTAINS INFORMATION THAT IS PROPRIETARY TO MOLEX ELECTRONIC TECHNOLOGIES, LLC AND SHOULD NOT BE USED WITHOUT WRITTEN PERMISSION | | | | | | | | | | | |
| QUALITY SYMBOLS | | ADD PINS | | EC NO: 120605 | | DRWN: ZHARPER | | CHKD: JBELL | | REV: APPR: FSMITH | |
| ∇ = 0 | ∇ = 0 | ∇ = 0 | ∇ = 0 | ∇ = 0 | ∇ = 0 | ∇ = 0 | ∇ = 0 | ∇ = 0 | ∇ = 0 | ∇ = 0 | ∇ = 0 |
| GENERAL TOLERANCES (UNLESS SPECIFIED) | | | | DIMENSION UNITS | | SCALE | | molex | | | |
| | | | | IN/MM | | 1:1 | | | | | |
| | | | | MM | | INCH | | MINI FIT JR VERTICAL HEADER ASSEMBLIES WITHOUT PEGS | | | |
| | | | | 4 PLACES \pm | | \pm | | | | | |
| | | | | 3 PLACES \pm | | ± 0.005 | | PRODUCT CUSTOMER DRAWING | | | |
| | | | | 2 PLACES \pm | | ± 0.13 | | | | | |
| | | | | 1 PLACES \pm | | ± 0.25 | | SERIES: 5566 MATERIAL NUMBER: SEE TABLE CUSTOMER: GENERAL MARKET | | | |
| | | | | 0 PLACES \pm | | \pm | | | | | |
| ANGULAR TOL = 0.5 | | | | DRAWING SIZE | | THIRD ANGLE PROJECTION | | DOCUMENT NUMBER: SD-5566-002 DOC TYPE: PSD DOC PART: 000 SHEET NUMBER: 4 OF 5 | | | |
| DRAFT WHERE APPLICABLE MUST REMAIN WITHIN DIMENSIONS | | | | C | | | | | | | |

H
G
F
E
D
C
B
A

TRAY PACKED PART NUMBERS
PARTS WITHOUT DRAIN HOLES

| | | | | | | |
|----------------------------------|------------------|-------------------|----------------------------------|-------------|----------------|-----------|
| TRAY PACKED PER TA \triangle 4 | 46999-0137 | 5566-24AMS | TRAY PACKED PER TA \triangle 4 | 46999-0149 | 5566-24AMS-210 | 24 |
| | 46999-0136 | 5566-22AMS | | 46999-0148 | 5566-22AMS-210 | 22 |
| | 46999-0135 | 5566-20AMS | | 46999-0147 | 5566-20AMS-210 | 20 |
| | 46999-0134 | 5566-18AMS | | 46999-0146 | 5566-18AMS-210 | 18 |
| | 46999-0133 | 5566-16AMS | | 46999-0145 | 5566-16AMS-210 | 16 |
| | 46999-0132 | 5566-14AMS | | 46999-0144 | 5566-14AMS-210 | 14 |
| | 46999-0131 | 5566-12AMS | | 46999-0143 | 5566-12AMS-210 | 12 |
| | 46999-0130 | 5566-10AMS | | 46999-0142 | 5566-10AMS-210 | 10 |
| | 46999-0129 | 5566-08AMS | | 46999-0141 | 5566-08AMS-210 | 8 |
| | 46999-0128 | 5566-06AMS | | 46999-0140 | 5566-06AMS-210 | 6 |
| | 46999-0127 | 5566-04AMS | | 46999-0139 | 5566-04AMS-210 | 4 |
| | 46999-0126 | 5566-02AMS | | 46999-0138 | 5566-02AMS-210 | 2 |
| EDP. NO. | | ENG. NO. | EDP. NO. | | ENG. NO. | CKT. SIZE |
| 5566-NAMS | | | 5566-NAMS-210 | | | |
| | | | | | | 24 |
| | | | | | | 22 |
| | | | | | | 20 |
| | | | 39-53-9188 | 5566-18A-TA | | 18 |
| | | | | | | 16 |
| | | | | | | 14 |
| | | | | | | 12 |
| | | | | | | 10 |
| | | | | | | 8 |
| | 46999-0630 | 5566-06AGS2-BL-TA | | | | 6 |
| | 46999-0629 | 5566-04AGS2-BL-TA | | | | 4 |
| | | | | | | 2 |
| | EDP. NO. | ENG. NO. | EDP. NO. | ENG. NO. | | CKT. SIZE |
| | 5566-NAGS2-BL-TA | | | 5566-NA-TA | | |

| | | | | | | | | | |
|---|---|---|---|-------------------------|--------------------------|--|---|----------------------------|--------------------------|
| QUALITY SYMBOLS ∇ = 0 ∇ = 0 ∇ = 0 \blacktriangledown = 0 ∇ = 0 \boxtimes = 0 \blacksquare = 0 ∇ = 0 | THIS DRAWING CONTAINS INFORMATION THAT IS PROPRIETARY TO MOLEX ELECTRONIC TECHNOLOGIES, LLC AND SHOULD NOT BE USED WITHOUT WRITTEN PERMISSION | ADD PINS EC NO: 120605 DRWN: ZHARPER CHKD: JBELL REV APPR: FSMITH | GENERAL TOLERANCES (UNLESS SPECIFIED) | | DIMENSION UNITS IN/MM | SCALE 1:1 |  | | |
| | | | 4 PLACES \pm \pm 3 PLACES \pm \pm 0.005 2 PLACES \pm 0.13 \pm 0.01 1 PLACES \pm 0.25 \pm 0 PLACES \pm \pm | DRWN BY H.HIRAMOTO | DATE 1989/04/03 | MINI FIT JR VERTICAL HEADER ASSEMBLIES WITHOUT PEGS | | | |
| | | | ANGULAR TOL = 0.5 | CHK'D BY M.FUKUSHIMA | DATE 1994/04/20 | | | | PRODUCT CUSTOMER DRAWING |
| | | | DRAFT WHERE APPLICABLE MUST REMAIN WITHIN DIMENSIONS | APPR BY FSMITH | DATE 2012/05/04 | SERIES 5566 | MATERIAL NUMBER SEE TABLE | CUSTOMER GENERAL MARKET | |
| | | | | DRAWING SIZE C | THIRD ANGLE PROJECTION | DOCUMENT NUMBER SD-5566-002 | DOC TYPE PSD | DOC PART 000 | SHEET NUMBER 5 OF 5 |

Looking for pricing, stock, or lifecycle information?

Click below to explore more details on WIN SOURCE:

 [View 39281043 on WIN SOURCE](#)

 [Molex, LLC Information](#)

Optimize Your Supply Chain with WIN SOURCE Solutions

-  Global Sourcing Solution
-  Obsolete Management
-  Cost Control Management
-  Shortage Management
-  Alternative Solution
-  Excess Inventory Management