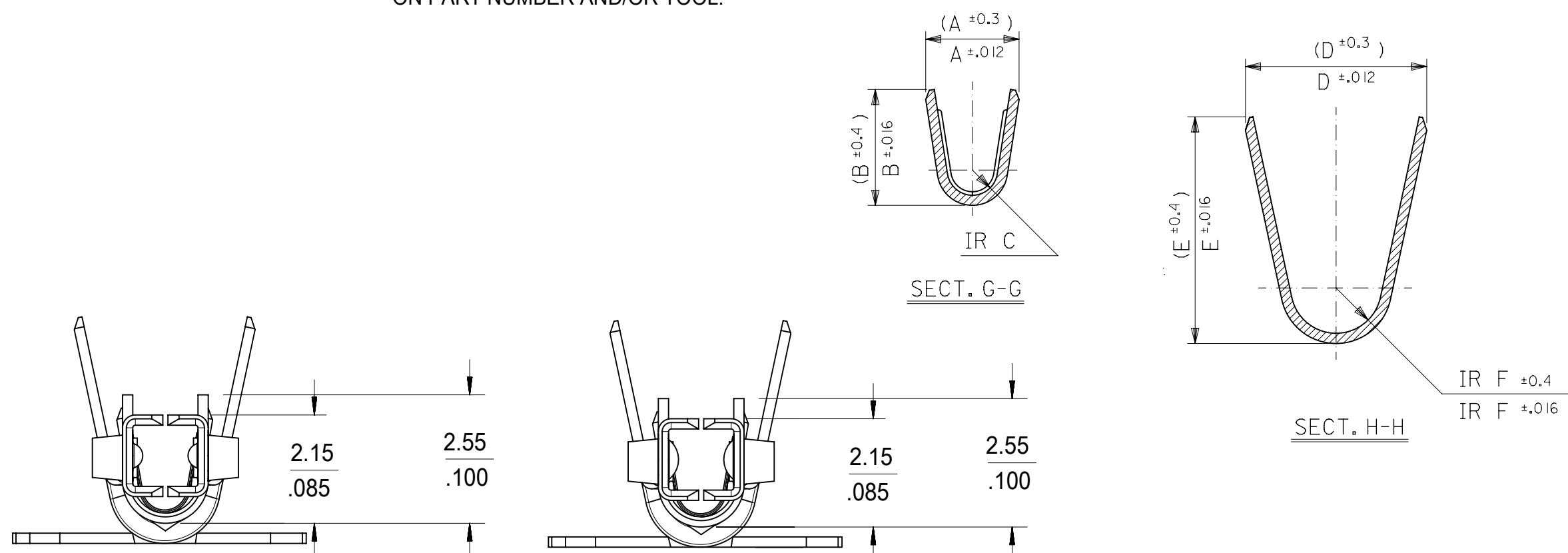
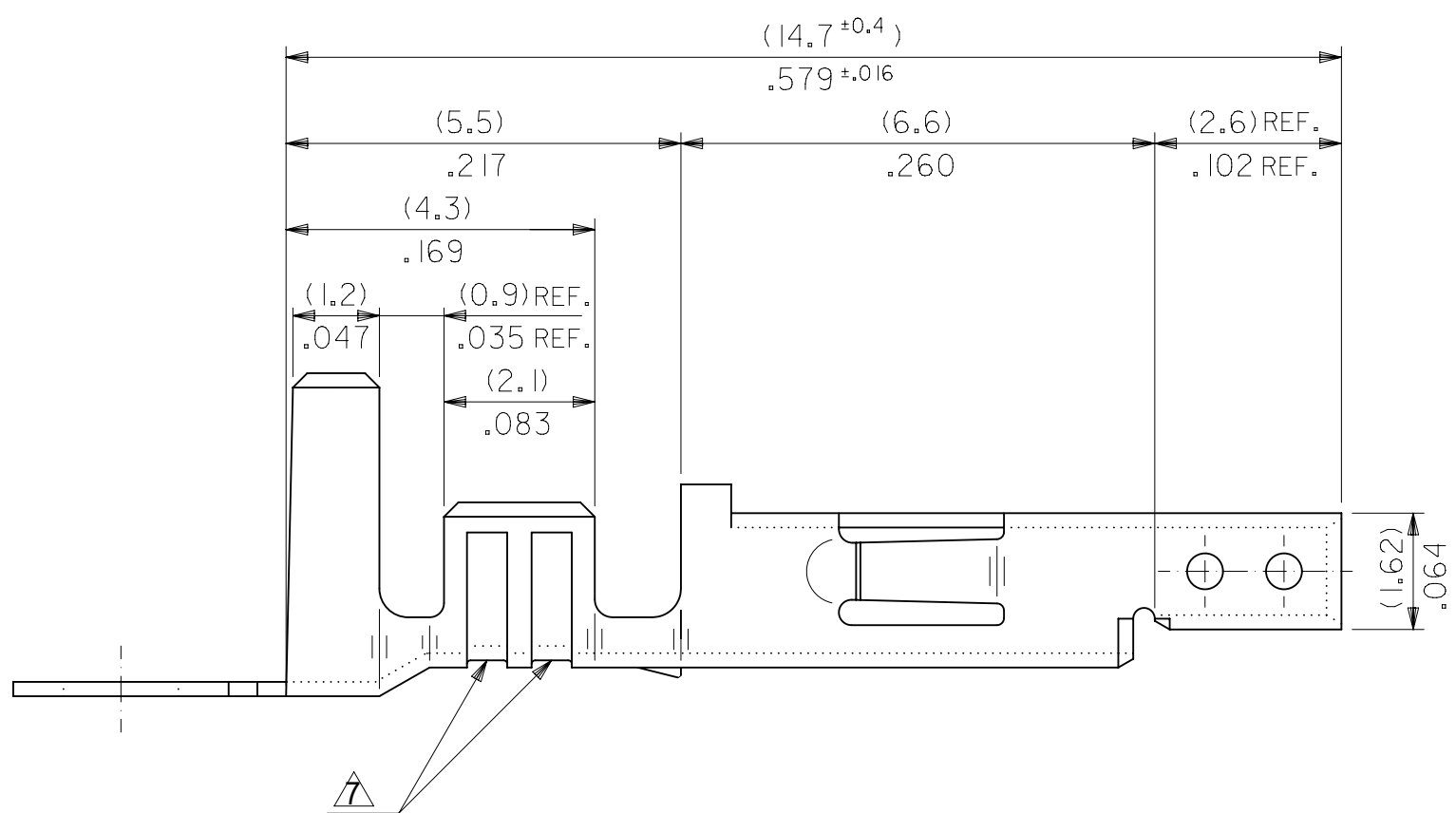
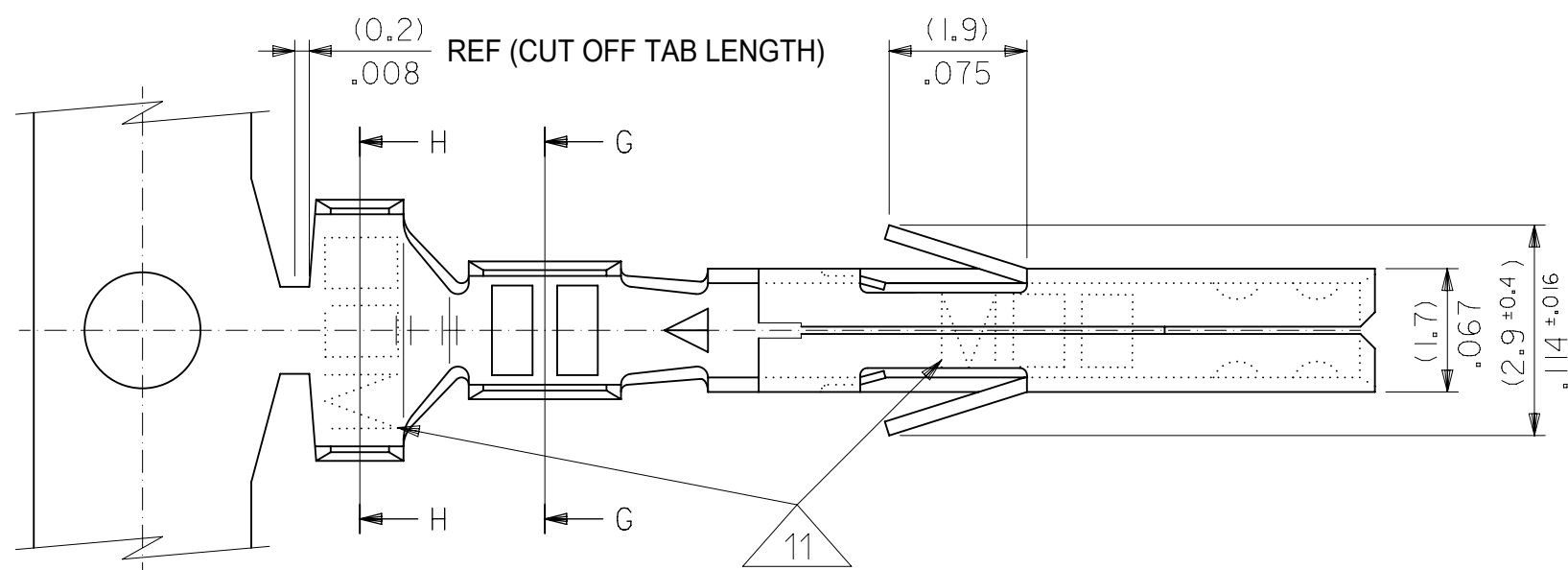




THE DATASHEET OF
39000046





CONTACT DIMPLE CONFIGURATIONS

#18-24 TERMINAL SHOWN

REFLOWED MATTE TIN 0.00090/(.000035) MIN. (PREPLATE) (FINISH IS BRIGHT IN APPEARANCE, THICKNESS AS APPLIED PRIOR TO REFLOW)	PHOS BRONZE	(0.9)	(4.5)	(3.6)	(0.6)	(2.7)	(2.3)	∅ (3.1) MAX.	# 16	39-00-0080	5556 PBT3L	LOOSE
		.035	.177	.142	.024	.106	.091	∅ .122		-0079	PBT3	CHAIN
		(0.6)	(2.3)	(2.3)	(0.4)	(1.65)	(1.8)	∅ (0.9-1.8)	#22-28	-0066	PBT2L	LOOSE
		.024	.091	.091	.016	.065	.071	∅ .035-.071		-0065	PBT2	CHAIN
REFLOWED MATTE TIN 0.00090/(.000035) MIN. OVER COPPER 0.00050/(.000020) MIN. (PREPLATE) (FINISH IS BRIGHT IN APPEARANCE, THICKNESS AS APPLIED PRIOR TO REFLOW)	BRASS	(0.9)	(4.5)	(3.6)	(0.5)	(2.3)	(1.9)	∅ (1.3-3.1)	# 18-24	-0060	PBTL	LOOSE
		.035	.177	.142	.020	.091	.075	∅ .051-.122		-0059	PBT	CHAIN
		(0.9)	(4.5)	(3.6)	(0.6)	(2.7)	(2.3)	∅ (3.1) MAX.	# 16	-0078	T3L	LOOSE
		.035	.177	.142	.024	.106	.091	∅ .122		-0077	T3	CHAIN
PLATING	MATERIAL	(0.6)	(2.3)	(2.3)	(0.4)	(1.65)	(1.8)	∅ (0.9-1.8)	#22-28	-0047	T2L	LOOSE
		.024	.091	.091	.016	.065	.071	∅ .035-.071		-0046	T2	CHAIN
		(0.9)	(4.5)	(3.6)	(0.5)	(2.3)	(1.9)	∅ (1.3-3.1)	# 18-24	-0039	TL	LOOSE
		.035	.177	.142	.020	.091	.075	∅ .051-.122		39-00-0038	5556 T	CHAIN
		F	E	D	C	B	A	INS. RANGE	WIRE RANGE	EDP NO.	ENG. NO.	FORM

THIS DRAWING CONTAINS INFORMATION THAT IS PROPRIETARY TO MOLEX ELECTRONIC TECHNOLOGIES, LLC AND SHOULD NOT BE USED WITHOUT WRITTEN PERMISSION

SYMBOLS	DIMENSION UNITS	SCALE	CURRENT REV DESC: CORRECT DIM F TOL.
∇ = 0	IN/MM	10:1	
∇ = 0	GENERAL TOLERANCES (UNLESS SPECIFIED)		
∇ = 0		MM	INCH
S = 0	4 PLACES	±	±
∇ = 0	3 PLACES	±	± 0.008
∇ = 0	2 PLACES	± 0.2	± 0.008
∇ = 0	1 PLACE	± 0.2	±
∇ = 0	0 PLACES	±	±
∇ = 0	ANGULAR TOL	± 3.0 °	
∇ = 0	DRAFT WHERE APPLICABLE MUST REMAIN WITHIN DIMENSIONS		
	THIRD ANGLE PROJECTION	DRAWING	SERIES
		C-SIZE	5556

EC NO: 600516
 DRWN: SALHAMY 2018/06/15
 CHK'D: JBELL 2018/06/15
 APPR: FSMITH 2018/06/17

INITIAL REVISION:
 DRWN: HIRAMOTO 1991/05/18
 APPR: FSMITH 2011/02/21

MOLEX

MINI FIT JR OVERALL TIN FEMALE CRIMP TERMINAL

PRODUCT CUSTOMER DRAWING

DOCUMENT NUMBER	DOC TYPE	DOC PART	REVISION
55560000-SD	PSD	000	A1

MATERIAL NUMBER: SEE CHART
 CUSTOMER: GENERAL MARKET
 SHEET NUMBER: 1 OF 1

Looking for pricing, stock, or lifecycle information?

Click below to explore more details on WIN SOURCE:

 [View 39000046 on WIN SOURCE](#)

 [Molex, LLC Information](#)

Optimize Your Supply Chain with WIN SOURCE Solutions

-  Global Sourcing Solution
-  Obsolete Management
-  Cost Control Management
-  Shortage Management
-  Alternative Solution
-  Excess Inventory Management