



**THE DATASHEET OF
RKEF075**



Specification Status: Released

Electrical Rating

Voltage: 60V MAX
Current: 40A MAX

Insulating Material:

Cured, Flame Retardant Epoxy
Polymer

Lead Material:

24 AWG Tin Plated Copper

Marking:

— Manufacturer's Mark
XX K75 and Part Identification

□□□□ — Lot Identification

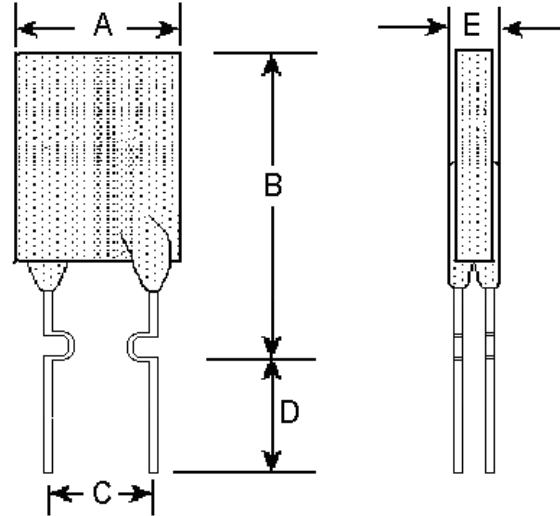


TABLE I. DIMENSIONS:

	A		B		C		D		E	
	MIN	MAX	MIN	MAX	MIN	MAX	MIN	MAX	MIN	MAX
mm:	--	7.87	---	12.2	4.32	5.84	7.6	---	---	3.56
in*:	--	(0.31)	---	(0.48)	(0.17)	(0.23)	(0.3)	---	---	(0.14)

*Rounded off approximation

TABLE II. PERFORMANCE RATINGS:

I HOLD RATED CURRENT	CURRENT RATINGS		INITIAL RESISTANCE VALUES		TIME TO TRIP	ONE HOUR POST-TRIP RESISTANCE STANDARD TRIP	TRIPPED- STATE POWER DISSIPATION
	AMPERES AT 20°C		OHMS AT 20°C		SECONDS AT 20°C, 8 A MAX	OHMS AT 20°C MAX	WATTS AT 20°C NOMINAL
	HOLD	HOLD TRIP	MIN	MAX			
0.75	0.75	1.50	0.20	0.39	1.5	0.64	1.4

Agency Recognitions:
Reference Documents:
Precedence:
Effectivity:
CAUTION:

UL, TUV, CSA
PS300
This specification takes precedence over documents referenced herein.
Reference documents shall be the issue in effect on the date of invitation for bid.
Operation beyond the rated voltage or current may result in rupture, electrical arcing or flame.

Materials Information

ROHS Compliant

ELV Compliant

Pb-Free

Halogen Free*

Directive 2002/95/EC
Compliant

Directive 2000/53/EC
Compliant



* Halogen Free refers to: Br≤900ppm, Cl≤900ppm, Br+Cl≤1500ppm.

Information furnished is believed to be accurate and reliable. However, users should independently evaluate the suitability of and test each product selected for their own applications. Littelfuse products are not designed for, and shall not be used for, any purpose (including, without limitation, military, aerospace, medical, lifesaving, life-sustaining or nuclear facility applications, devices intended for surgical implant into the body, or any other application in which the failure or lack of desired operation of the product may result in personal injury, death, or property damage) other than those expressly set forth in applicable Littelfuse product documentation. Warranties granted by Littelfuse shall be deemed void for products used for any purpose not expressly set forth in applicable Littelfuse documentation. Littelfuse shall not be liable for any claims or damages arising out of products used in applications not expressly intended by Littelfuse as set forth in applicable Littelfuse documentation. The sale and use of Littelfuse products is subject to Littelfuse Terms and Conditions of Sale, unless otherwise agreed by Littelfuse

Looking for pricing, stock, or lifecycle information?

Click below to explore more details on WIN SOURCE:

 [View RKEF075 on WIN SOURCE](#)

 [Littelfuse Inc. Information](#)

Optimize Your Supply Chain with WIN SOURCE Solutions

-  Global Sourcing Solution
-  Obsolete Management
-  Cost Control Management
-  Shortage Management
-  Alternative Solution
-  Excess Inventory Management