



THE DATASHEET OF
RF7221



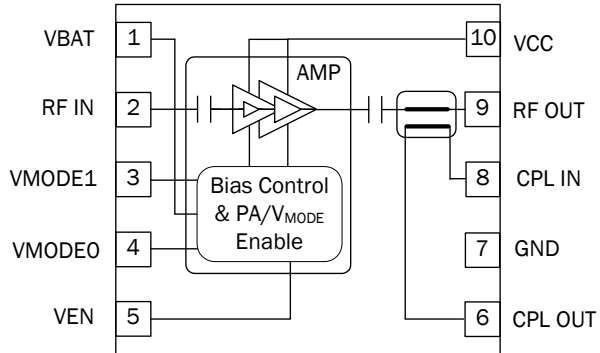


Features

- HSDPA and HSPA+ Compliant
- Low Voltage Positive Bias Supply (3.0V to 4.35V)
- +28.0dBm Linear Output Power (+26.5dBm HSDPA)
- High Efficiency Operation
41% at $P_{OUT}=+28.0\text{dBm}$
18% at $P_{OUT}=+17.0\text{dBm}$
13% at $P_{OUT}=+11.0\text{dBm}$
- Low Quiescent Current in Low Power Mode: 6mA
- Internal Voltage Regulator Eliminates the Need for External Reference Voltage (V_{REF})
- 3-Mode Power States with Digital Control Interface
- Integrated Power Coupler
- Integrated Blocking and Collector Decoupling Capacitors

Applications

- WCDMA/HSDPA Wireless Handsets and Data Cards
- Dual-Mode UMTS Wireless Handsets



Functional Block Diagram

Product Description

The RF7221 is a high-power, high-efficiency, linear power amplifier designed for use as the final RF amplifier in 3V, 50Ω W-CDMA mobile cellular equipment and spread-spectrum systems. This PA is developed for UMTS Band 1 which operates in the 1920MHz to 1980MHz frequency band. The RF7221 has two digital control pins to select one of three power modes to optimize performance and current drain at lower power levels. The part also has an integrated directional coupler which eliminates the need for an external discrete coupler at the output. The RF7221 is fully HSDPA and HSPA+ compliant and is assembled in a 10-pin, 3mmx3mm module.

Ordering Information

RF7221	3V W-CDMA Band 1 Linear PA Module
RF7221PCBA-410	Fully Assembled Evaluation Board

Optimum Technology Matching® Applied

- | | | | |
|---|--------------------------------------|-------------------------------------|-----------------------------------|
| <input type="checkbox"/> GaAs HBT | <input type="checkbox"/> SiGe BiCMOS | <input type="checkbox"/> GaAs pHEMT | <input type="checkbox"/> GaN HEMT |
| <input type="checkbox"/> GaAs MESFET | <input type="checkbox"/> Si BiCMOS | <input type="checkbox"/> Si CMOS | <input type="checkbox"/> RF MEMS |
| <input checked="" type="checkbox"/> InGaP HBT | <input type="checkbox"/> SiGe HBT | <input type="checkbox"/> Si BJT | <input type="checkbox"/> LDMOS |

RF MICRO DEVICES®, RFMD®, Optimum Technology Matching®, Enabling Wireless Connectivity™, PowerStart®, POLARIS™ TOTAL RADIO™ and UltimateBlue™ are trademarks of RFMD, LLC. BLUETOOTH is a trademark owned by Bluetooth SIG, Inc., U.S.A. and licensed for use by RFMD. All other trade names, trademarks and registered trademarks are the property of their respective owners. ©2006, RF Micro Devices, Inc.

Absolute Maximum Ratings

Parameter	Rating	Unit
Supply Voltage in Standby Mode	6.0	V
Supply Voltage in Idle Mode	6.0	V
Supply Voltage in Operating Mode, 50Ω Load	6.0	V
Supply Voltage, V _{BAT}	6.0	V
Control Voltage, V _{MODE0} , V _{MODE1}	3.5	V
Control Voltage, V _{EN}	3.5	V
RF - Input Power	+10	dBm
RF - Output Power	+30	dBm
Output Load VSWR (Ruggedness)	10:1	
Operating Ambient Temperature	-30 to +110	°C
Storage Temperature	-55 to +150	°C



Caution! ESD sensitive device.

Exceeding any one or a combination of the Absolute Maximum Rating conditions may cause permanent damage to the device. Extended application of Absolute Maximum Rating conditions to the device may reduce device reliability. Specified typical performance or functional operation of the device under Absolute Maximum Rating conditions is not implied.

RoHS status based on EUDirective2002/95/EC (at time of this document revision).

The information in this publication is believed to be accurate and reliable. However, no responsibility is assumed by RF Micro Devices, Inc. ("RFMD") for its use, nor for any infringement of patents, or other rights of third parties, resulting from its use. No license is granted by implication or otherwise under any patent or patent rights of RFMD. RFMD reserves the right to change component circuitry, recommended application circuitry and specifications at any time without prior notice.

Parameter	Specification			Unit	Condition
	Min.	Typ.	Max.		
Recommended Operating Conditions					
Operating Frequency Range	1920		1980	MHz	
V _{BAT}	+3.0	+3.4	+4.35	V	
V _{CC}	+3.0 ¹	+3.4	+4.35	V	
V _{EN}	0		0.5	V	PA disabled.
	1.4	1.8	3.0	V	PA enabled.
V _{MODE0} , V _{MODE1}	0		0.5	V	Logic "low".
	1.5	1.8	3.0	V	Logic "high".
P _{OUT}					
Maximum Linear Output (HPM)	28.0 ^{2,3}			dBm	High Power Mode (HPM)
Maximum Linear Output (MPM)	17.0 ^{2,3}			dBm	Medium Power Mode (MPM)
Maximum Linear Output (LPM)	11.0 ^{2,3}			dBm	Low Power Mode (LPM)
Ambient Temperature	-30	+25	+85	°C	

Notes:

¹Minimum V_{CC} for max P_{OUT} is indicated.

²For operation at V_{CC}=+3.2V, derate P_{OUT} by 0.6dB. For operation at V_{CC}=3.0V, derate P_{OUT} by 1.3dB.

³P_{OUT} is specified for 3GPP (Rel99) modulation. For HSDPA and HSPA+ operation, derate P_{OUT} by 1.5dB:

HSDPA Configuration: β_c=12, β_d=15, β_{hs}=24

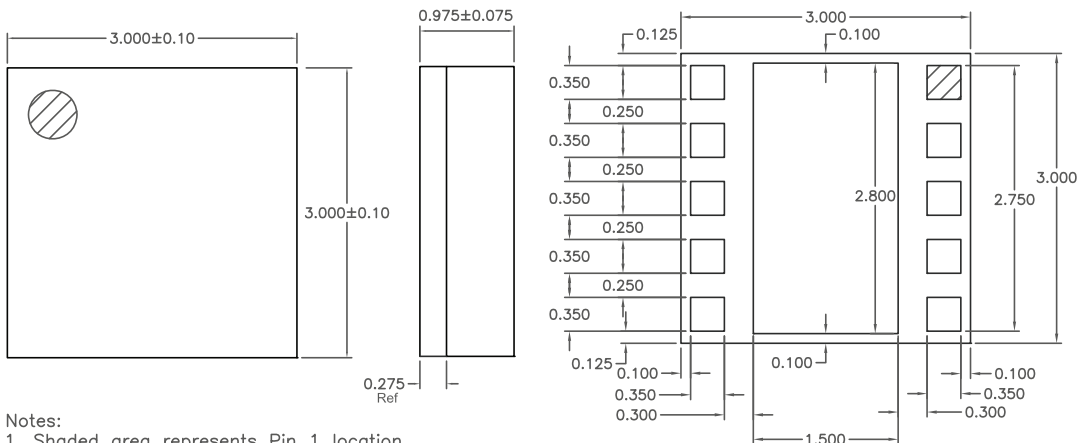
HSPA+ Configuration: Rel7 Subtest 1

Parameter	Specification			Unit	Condition
	Min.	Typ.	Max.		
Electrical Specifications					T = +25 °C, V _{CC} = V _{BAT} = +3.4V, V _{EN} = +1.8V, 50Ω system, W-CDMA Rel 99 Modulation unless otherwise specified.
Gain	25	26		dB	HPM, P _{OUT} = 28.0dBm
	18	20		dB	MPM, P _{OUT} ≤ 17.0dBm
	12	13		dB	LPM, P _{OUT} ≤ 11.0dBm
Gain Linearity		±0.7		dB	HPM, 17.0dBm ≤ P _{OUT} ≤ 28.0dBm
ACLR - 5 MHz Offset		-40		dBc	HPM, P _{OUT} = 28.0dBm
		-40		dBc	MPM, P _{OUT} = 17.0dBm
		-40		dBc	LPM, P _{OUT} = 11.0dBm
ACLR - 10MHz Offset		-52		dBc	HPM, P _{OUT} = 28.0dBm
		-60		dBc	MPM, P _{OUT} = 17.0dBm
		-60		dBc	LPM, P _{OUT} = 11.0dBm
PAE		41		%	HPM, P _{OUT} = 28.0dBm
		18		%	MPM, P _{OUT} = 17.0dBm
		13		%	P _{OUT} = 11.0dBm
Current Drain		470		mA	HPM, P _{OUT} = 28.0dBm
		83		mA	MPM, P _{OUT} = 17.0dBm
		27		mA	LPM, P _{OUT} = 11.0dBm
Quiescent Current		50		mA	HPM, DC only
		15		mA	MPM, DC only
		6		mA	LPM, DC only
Enable Current		0.1		mA	Source or sink current. V _{EN} = 1.8V.
Mode Current (I _{MODE0} , I _{MODE1})		0.1		mA	Source or sink current. V _{MODE0} , V _{MODE1} = 1.8V.
Leakage Current		5.0	15.0	μA	DC only. V _{CC} = V _{BAT} = 4.35V, V _{EN} = V _{MODE0} = V _{MODE1} = 0.5V.
Noise Power in Receive Band		-135		dBm/Hz	All power modes, measured at duplex offset frequency (FTX + 190MHz). Rx: 2110MHz to 2170MHz, P _{OUT} ≤ 28.0dBm
Input Impedance		1.5:1		VSWR	No ext. matching, P _{OUT} ≤ 28dBm, all modes.
Harmonic, 2FO		-20		dBm	P _{OUT} ≤ 28.0dBm, all power modes.
Harmonic, 3FO		-25		dBm	P _{OUT} ≤ 28.0dBm, all power modes.
Spurious Output Level			-70	dBc	All spurious, P _{OUT} ≤ 28dBm, all conditions, load VSWR ≤ 6:1, all phase angles.
Insertion Phase Shift		±25		°	Phase shift at 17dBm when switching from HPM to MPM and MPM to LPM at 11dBm.
DC Enable Time			10	μS	DC only. Time from V _{EN} = high to stable idle current (90% of steady state value).
RF Rise/Fall Time			6	μS	P _{OUT} ≤ 28.0dBm, all modes. 90% of target, DC settled prior to RF.
Coupling Factor		-20		dB	P _{OUT} ≤ 28.0dBm, all modes.
Coupling Accuracy - Temp/Voltage		±0.5		dB	P _{OUT} ≤ 28.0dBm, all modes. -30 °C ≤ T ≤ 85 °C, 3.0V ≤ V _{CC} & V _{BAT} ≤ 4.35V, referenced to 25 °C, 3.4V conditions.
Coupling Accuracy - VSWR		±0.25		dB	P _{OUT} ≤ 28dBm, all modes, load VSWR = 2:1, ±0.25dB accuracy corresponds to 20dB directivity.

Pin	Function	Description
1	VBAT	Supply voltage for bias circuitry.
2	RF IN	RF input internally matched to 50Ω and DC blocked. Input matching includes a shunt inductor to ground which would short DC voltage placed on this pin.
3	VMODE1	Digital control input for power mode selection (see Operating Modes truth table).
4	VMODE0	Digital control input for power mode selection (see Operating Modes truth table).
5	VEN	Digital control input for PA enable and disable (see Operating Modes truth table).
6	CPL_OUT	Coupler output.
7	GND	This pin must be grounded.
8	CPL_IN	Coupler input used for cascading couplers in series. Terminate this pin with a 50Ω resistor if not connected to another coupler.
9	RF OUT	RF output internally matched to 50Ω and DC blocked.
10	VCC	Supply voltage for the first and second stage amplifier which can be connected to battery supply.
Pkg Base	GND	Ground connection. The package backside should be soldered to a topside ground pad connecting to the PCB ground plane with multiple ground vias. The pad should have a low thermal resistance and low electrical impedance to the ground plane.

V _{EN}	V _{MODE0}	V _{MODE1}	V _{BAT}	V _{CC}	Conditions/Comments
Low	Low	Low	3.0V to 4.35V	3.0V to 4.35V	Power down mode
Low	X	X	3.0V to 4.35V	3.0V to 4.35V	Standby Mode
High	Low	Low	3.0V to 4.35V	3.0V to 4.35V	High power mode
High	High	Low	3.0V to 4.35V	3.0V to 4.35V	Medium power mode
High	High	High	3.0V to 4.35V	3.0V to 4.35V	Low power mode
High	High	High	3.0V to 4.35V	≥0.5V	Optional lower V _{CC} in low power mode

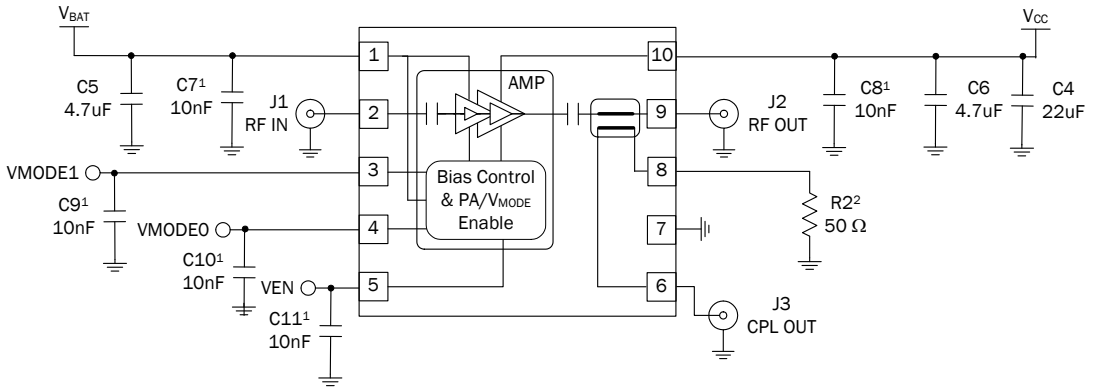
Package Drawing



Notes:

1. Shaded area represents Pin 1 location

Preliminary Application Schematic



NOTES:

- 1 Place these capacitors as close to PA as possible.
- 2 50 Ω resistor will be removed if pin 8 is connected to another coupler.

PCB Design Requirements

PCB Surface Finish

The PCB surface finish used for RFMD's qualification process is electroless nickel, immersion gold. Typical thickness is 3µinch to 8µinch gold over 180µinch nickel.

PCB Land Pattern Recommendation

PCB land patterns for RFMD components are based on IPC-7351 standards and RFMD empirical data. The pad pattern shown has been developed and tested for optimized assembly at RFMD. The PCB land pattern has been developed to accommodate lead and package tolerances. Since surface mount processes vary from company to company, careful process development is recommended.

PCB Metal Land Pattern

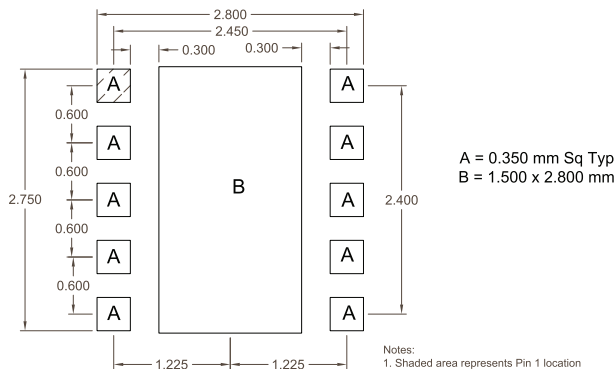




Figure 1. PCB Metal Land Pattern (Top View)

Looking for pricing, stock, or lifecycle information?

Click below to explore more details on WIN SOURCE:

-  [View RF7221 on WIN SOURCE](#)
-  [RF Micro Devices Information](#)

Optimize Your Supply Chain with WIN SOURCE Solutions

-  Global Sourcing Solution
-  Obsolete Management
-  Cost Control Management
-  Shortage Management
-  Alternative Solution
-  Excess Inventory Management