



**THE DATASHEET OF
AD-4310P4310P-1**



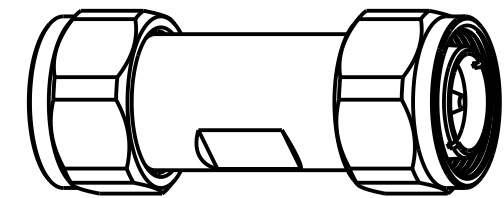
NOTES:

1. MATERIAL AND FINISH (PLATING THICKNESS IN MICRO-INCHES):
 BODY - BRASS, ALBALOY PLATING
 CONTACT PIN - BRASS, SILVER PLATING
 INSULATOR - PTFE, NATURAL
2. ELECTRICAL:
 A. IMPEDANCE: 50 OHM
 B. FREQUENCY RANGE: DC-6 GHz
 C. RETURN LOSS: 1.15 MAX. @ DC-4GHz
 1.2 MAX. @ 4-6 GHz
 D. INSERTION LOSS: 0.05+0.05*SQRT(f) dB
 E. INTERMODULATION 3RD ORDER: -166 dBc MAX. (2*43 dBm)
 F. DIELECTRIC WITHSTANDING VOLTAGE: 2500 VRMS. MIN. 60 Hz
 G. INSULATION RESISTANCE: 5000 MΩ MIN.
3. MECHANICAL:
 A. DURABILITY: 500 CYCLES MIN.
 B. TEMPERATURE RANGE: -65°C TO +165°C

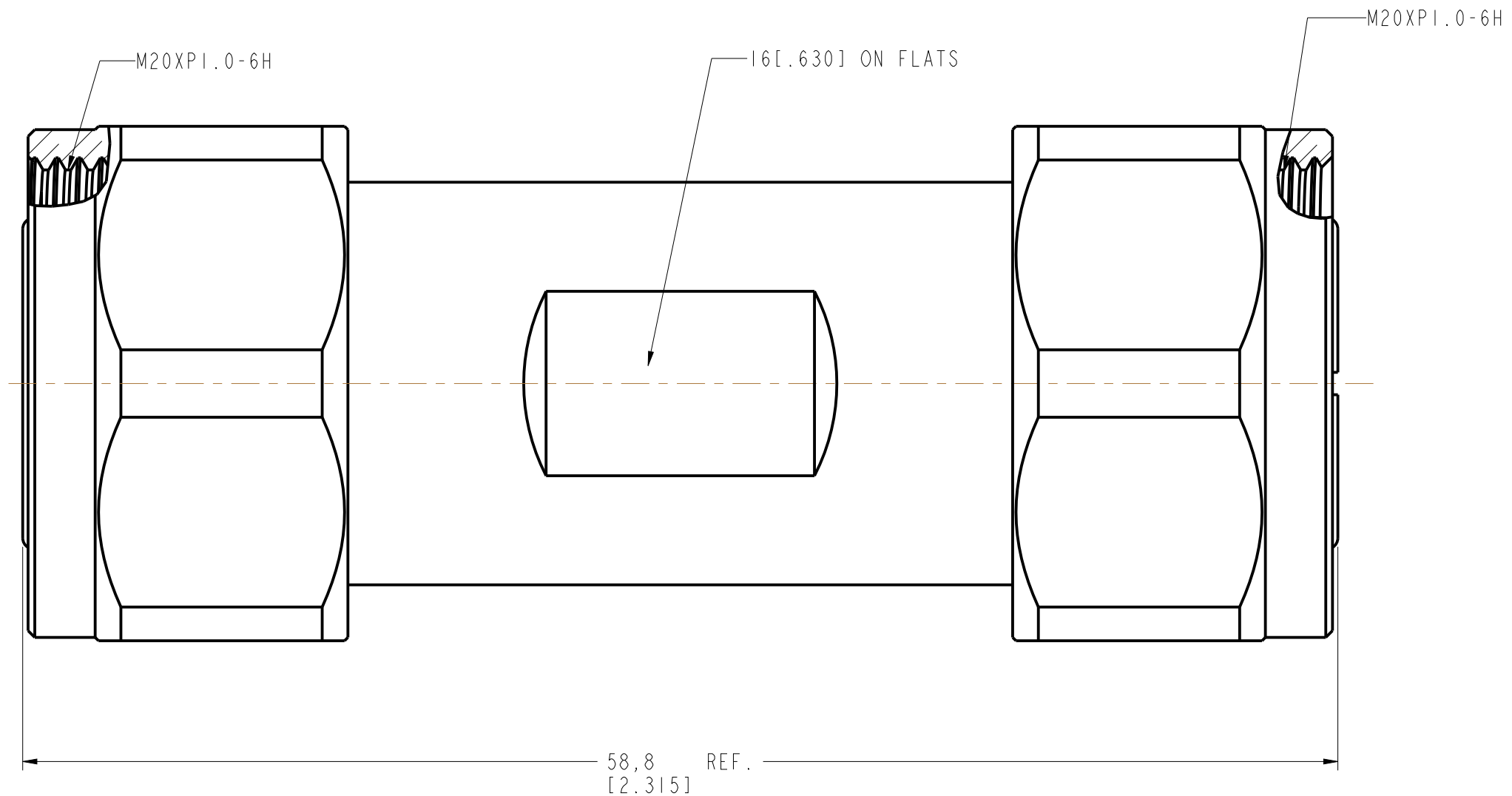
THIRD ANGLE PROJ.

REVISIONS

REV	DESCRIPTION	DATE	ECO	APPR
A	RELEASE TO MFG.	3/22/16	00201	KCE



SCALE 1.000





CUSTOMER OUTLINE DRAWING
 ALL OTHER SHEETS ARE FOR INTERNAL USE ONLY

UNLESS OTHERWISE SPECIFIED, DIMENSIONS ARE IN METRIC AND TOLERANCES ARE: <0.5mm ±0.05mm 0.5 - 6mm ±0.1mm 6 - 30mm ±0.2mm 30 - 120mm ±0.3mm ANGLES ±1° NOTICE - These drawings, specifications, or other data (1) are, and remain the property of Amphenol corp. (2) must be returned upon request; and (3) are confidential and not to be disclosed to any person other than those to whom they are given by Amphenol Corp. the furnishing of these drawings, specifications, or other data by Amphenol Corp., or to any other person to anyone for any purpose is not to be regarded by implication or otherwise in any manner licensing, granting rights to permitting such holder or any other sperson to manufacture, use or sell any product, process or design, patented or otherwise, that may in any way be related to or disclosed by said drawings, specifications, or other data.	MATERIAL	DRAWN JEKY.C	DATE 29-Dec-14	TITLE 4.3-10 PLUG TO 4.3-10 PLUG ADAPTER	Amphenol RF www.amphenolrf.com	
	REFERENCE EAR 6396 AND AD-4310P4310P-1	ENGINEER	DATE 29-Dec-14			DRAWING NO. 4310M-4310M-ATS
	CONFIGURATION LEVEL:	APPROVED	DATE	SCALE: 4.0:1.0	SHEET 2 OF 2	ITEM NO. 88M-88M-AB-5-F
	FINISH	CAD FILE	DWG SIZE B	REV A	PART NO. AD-4310P4310P-1	

Looking for pricing, stock, or lifecycle information?

Click below to explore more details on WIN SOURCE:

-  [View AD-4310P4310P-1 on WIN SOURCE](#)
-  [Amphenol-RF Division Information](#)

Optimize Your Supply Chain with WIN SOURCE Solutions

-  Global Sourcing Solution
-  Obsolete Management
-  Cost Control Management
-  Shortage Management
-  Alternative Solution
-  Excess Inventory Management