



**THE DATASHEET OF
081-115BK-1000**

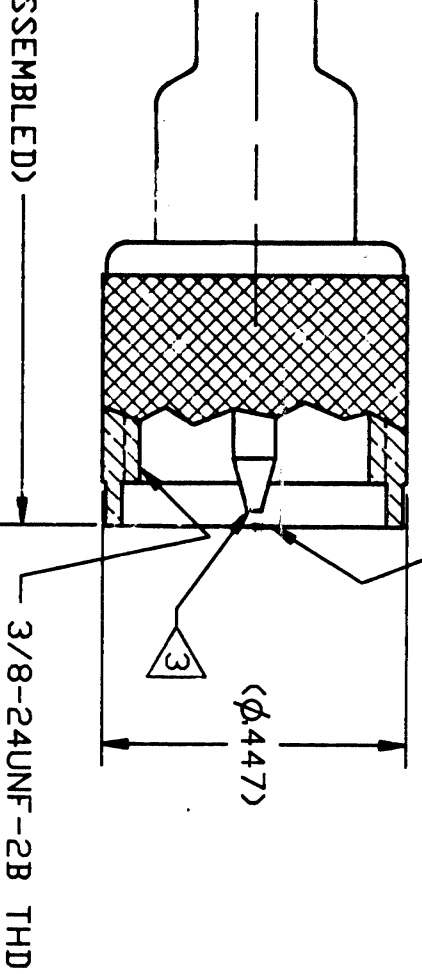


REVISIONS

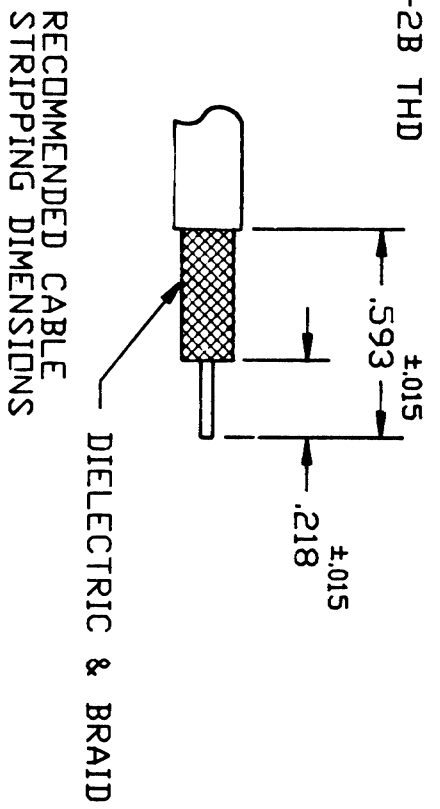
DRAWING NUMBER	SYM	DESCRIPTION	DATE	E.C.O. NO.	APPR.
81-115BK-1000	A	OFFICIAL ENG. RELEASE TO MFG.	13 MAR 73	39996	<i>[Signature]</i>
		SEE SHT 1 FOR REVISIONS			

DO NOT SCALE THIS DRAWING

MINI UHF PLUG INTERFACE.
WILL MATE WITH ANY STD
MINI UHF JACK CONNECTOR.



ASSEMBLED) ———
ND HAS A \pm .043 DIA



ATED, .000003.
MATE.
ROMMATE.
E 227-944 WITH
SQ DR SOFT

E 227-944 WITH
HEX,
TRY DIMENSIONS.
5BK\1000SH2.DWG

OTHERWISE SPECIFIED DIMENSIONS
TOLERANCES NOT OTHERWISE
SPECIFIED ARE:
DIMENSIONS: 3 PLACE DECIMAL
ANGLES: \pm 1°
HOLE DIA: (0.127 mm)

REFERENCE DRAWING NO
TENNA SPECIALISTS
R 964120-0

DRAWN BY	J. MULVEY	DATE	94/28/3
CHECKED	R. VACCARO	DATE	5/5/94
ENGINEER	J. MULVEY	DATE	94/28/3
QUALITY ASSURANCE	<i>[Signature]</i>	DATE	5/10/94
MFG. ENG.	<i>[Signature]</i>	DATE	5/10/94

PART NO.	QUAN	UOM	ITEM NO.	DESCRIPTION	CODE	FINISH
LIST OF MATERIAL						

TITLE
MINI UHF PLUG
CRIMP-CRIMP
FOR RG58/U (A,B,C) CABLE
EYELET VERSION
(CUSTOMER OUTLINE)

Amphenol Corporation
RF/Microwave Operations
Danbury, Conn. U.S.A.

CODE IDENTIFICATION DRAWING SIZE DRAWING NO.
74868 B

SCALE 2:1 SHEET 2 OF 2
81-115BK-1000 ISSUE

Looking for pricing, stock, or lifecycle information?

Click below to explore more details on WIN SOURCE:

[View 081-115BK-1000 on WIN SOURCE](#)

[Amphenol-RF Division Information](#)

Optimize Your Supply Chain with WIN SOURCE Solutions

- ✓ Global Sourcing Solution
- ✓ Obsolete Management
- ✓ Cost Control Management
- ✓ Shortage Management
- ✓ Alternative Solution
- ✓ Excess Inventory Management