



**THE DATASHEET OF
MS50PM157GE00**



MS-M - Hyfen rectangular



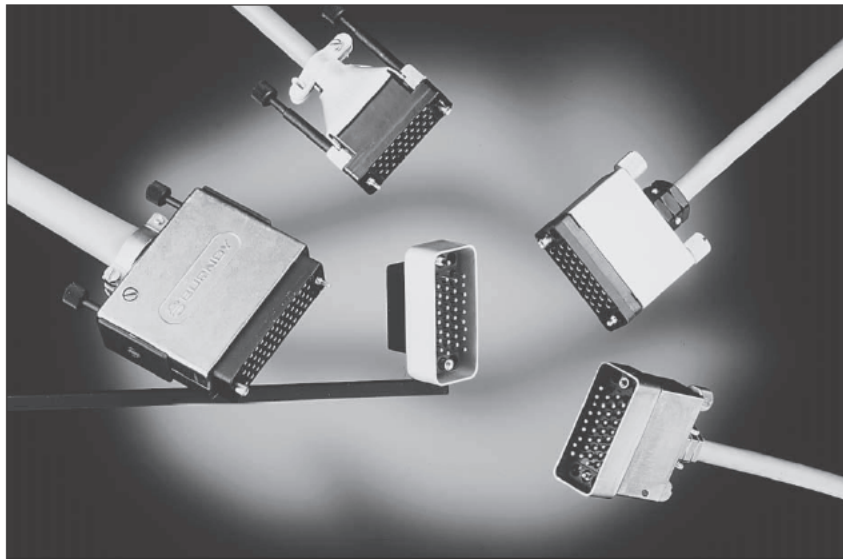
High performance hyfen rectangular cable connectors

Description

MSM rectangular connectors offers an extremely reliable, rugged, and versatile connection system .

They are a range of multiway connectors available in 8 sizes from 14 to 104 positions.

MS-M cable connectors can be offered with a full range of hardware and accessories. Guiding pins and sockets, turnable jackscrews, a variety of cable hoods, pin protection shrouds and discrimination pins make this connector range a truly versatile system.



Features and benefits

- Connectors supplied pre-assembled except for panel mount versions.
- Available in 14-20-26-34-42-50-75 and 104 positions.
- **34 contact positions suitable for V.35 applications (see V.35 section)**
- Full range of accessories available including hoods, strain relief clamps, guide pins, jackscrews and pin protection shrouds.
- MS-M hyfen complies with NFC 93426 - HE 621-622 and MIL-C-28748 specifications.

Performance characteristics

Operating temperature:	-55°C to +125°C
Insulation resistance:	5000 MΩ min.
Test potential:	2000 VAC
Durability:	500 matings and unmatings.
Vibration resistance:	Per MIL-STD 202 method 204
Shock:	Per MIL-C-STD 202 method 207

Construction

Connector Material :	Glass filled Phenolic
Flammability rating :	UL94-V0
Hoods:	Aluminium alloy gold chromate or anodized Polyamide 6.6 - black - UL94-V2
Cable clamps:	Stainless steel
Polarizing hardware:	Brass nickel plated
Shrouds:	Aluminium alloy gold chromate or anodized

Contact accommodation

- "MS-M" Hyfen connectors accept Trim-Trio removable snap-lock contacts (see contact section)
- Contacts to be ordered separately.

How to order

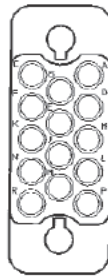
Connector family	MS	34	P	M	124	S	GE	16
	MS	34	P	M	120	S-	--	--
Contact arrangement								
Type of housing:	P: plug body for male contacts S: Receptacle housing for female contacts							
N° 16 contact								
Design variation								
Pin protection shroud								
GE = plastic turnable jackscrews								
Code for special variations								

MS-M - Hyfen rectangular

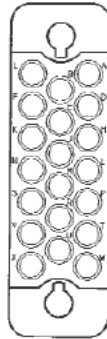


Contact arrangement

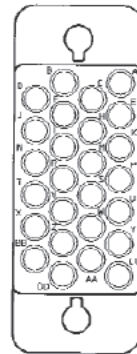
14 POS.



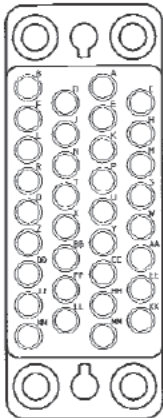
20 POS.



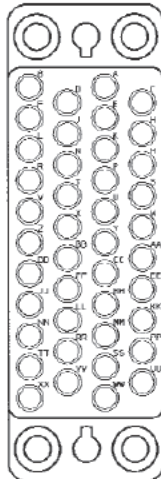
26 POS.



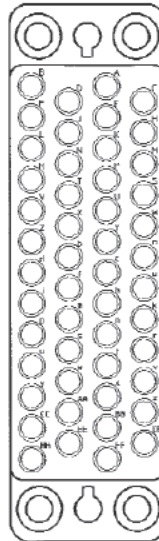
34 POS.



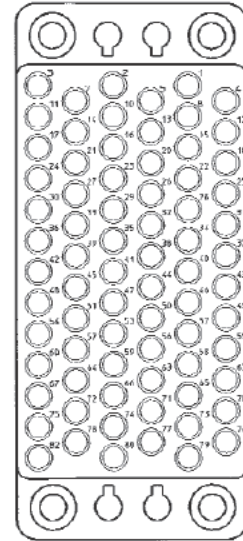
42 POS.



50 POS.



75 POS.



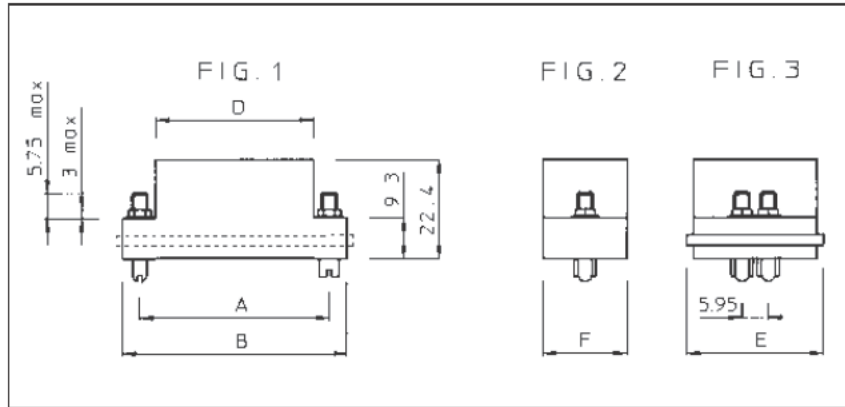
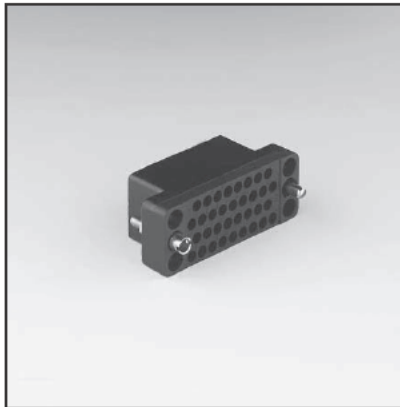
The contact position identification letters or numbers shown in the above diagrams apply to MS M plug and receptacle connectors. Dimensionally, corresponding types of plug and receptacle mouldings are the same and differ only in that the contact position lettering/numbering of the plug (MS PM) is a mirror image of that of the receptacle (MS RM). Note that pins and/or sockets can be used in either the plug or receptacle moulding.

Note: Contact identification is shown for wiring face of the receptacle and mating face at plug connector.

MS-M - Hyfen rectangular



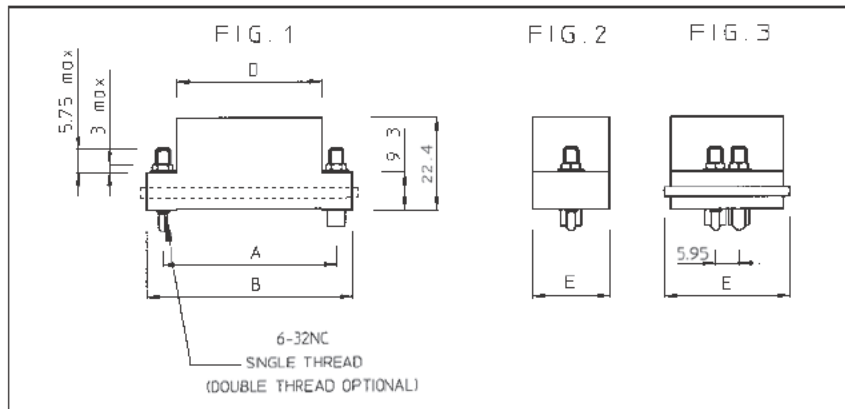
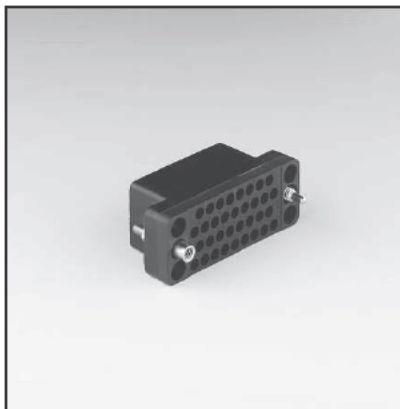
Panel mount connectors with guiding hardware (MS--M1)



Connector size	Part number		A	B	D	E	Fig.
	Plug version for male contacts	Receptacle version for female contacts					
14	MS14PM1	MS14RM1	23.8	31.8	20.1	11.7	1-2
20	MS20PM1	MS20RM1	31.75	39.65	27.95		
26	MS26PM1	MS26RM1	33.3	41.3	27.2		
34	MS34PM1	MS34RM1	42.8	50.8	35.7		
42	MS42PM1	MS42RM1	50.55	58.65	42.95		
50	MS50PM1	MS50RM1	57.95	69.1	50.85	22.1	1-3
75	MS75PM1	MS75RM1				31.2	

MS-M

Panel mount connectors with fixed jackscrew hardware (MS--M58)

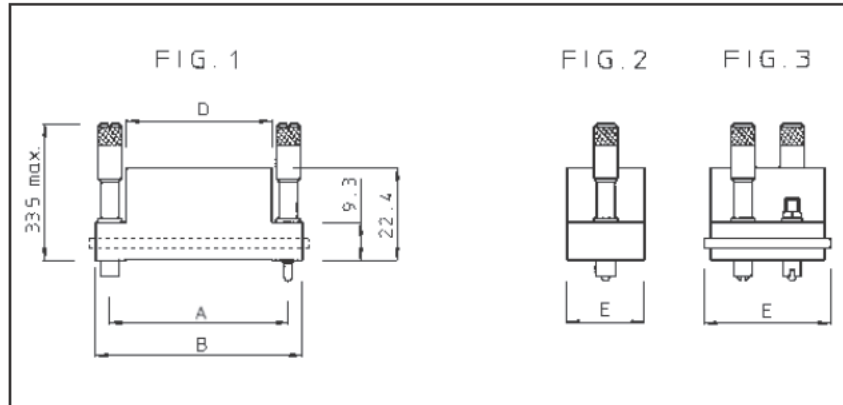
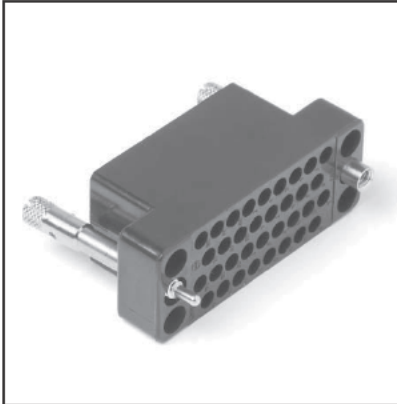


Connector size	Part number		A	B	D	E	Fig.
	Plug version for male contacts	Receptacle version for female contacts					
14	MS14PM58	MS14RM58	23.8	31.8	20.1	11.7	1-2
20	MS20PM58	MS20RM58	31.75	39.65	27.95		
26	MS26PM58	MS26RM58	33.3	41.3	27.2		
34	MS34PM58	MS34RM58	42.8	50.8	35.7		
42	MS42PM58	MS42RM58	50.55	58.65	42.95		
50	MS50PM58	MS50RM58	57.95	69.1	50.85	22.1	1-3
75	MS75PM58	MS75RM58				31.2	

MS-M - Hyfen rectangular

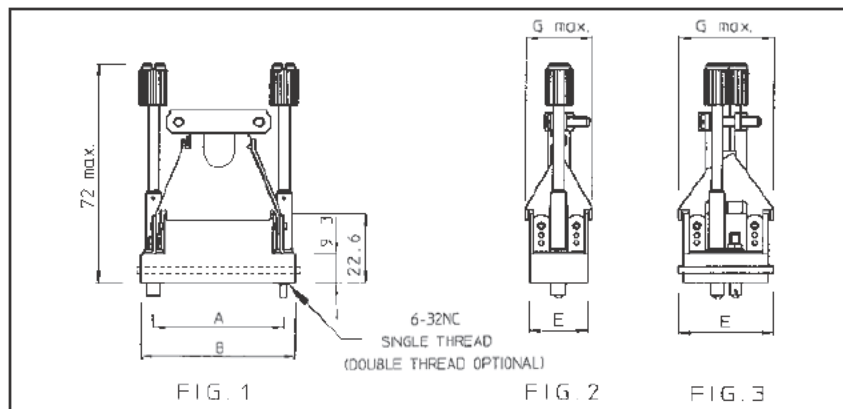
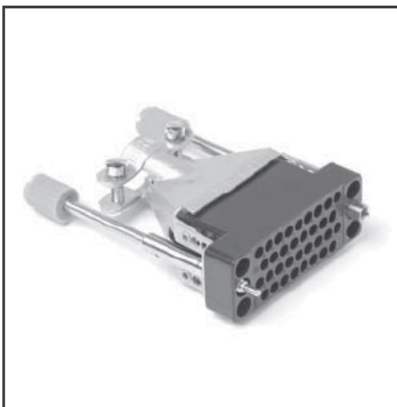


Cable connector without strain relief and turnable jackscrew hardware (MS—M57)



Connector size	Part number		A	B	D	E	Fig.
	Plug version for male contacts	Receptacle version for female contacts					
14	MS14PM57	MS14RM57	23.8	31.8	20.1	11.7	1-2
20	MS20PM57	MS20RM57	31.75	39.65	27.95		
26	MS26PM57	MS26RM57	33.3	41.3	27.2		
34	MS34PM57	MS34RM57	42.8	50.8	35.7		
42	MS42PM57	MS42RM57	50.55	58.65	42.95		
50	MS50PM57	MS50RM57	57.95	69.1	50.85	22.1	1-3
75	MS75PM57	MS75RM57				31.2	

Cable connector with metal butterfly hood and turnable jackscrew hardware (MS--M124K)

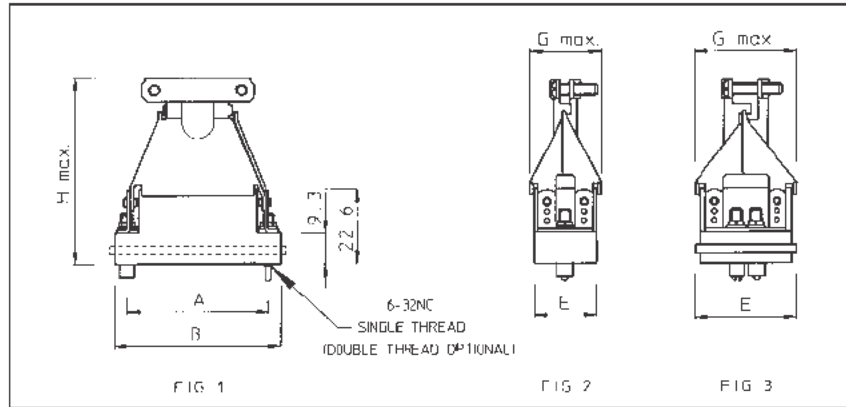


Connector size	Part number		A	B	E	G max	Fig.
	Plug version for male contacts	Receptacle version for female contacts					
14	MS14PM124K	MS14RM124K	23.8	31.8	11.7	14.7	1-2
20	MS20PM124K	MS20RM124K	31.75	39.65			
26	MS26PM124K	MS26RM124K	33.3	41.3			
34	MS34PM124K	MS34RM124K	42.8	50.8			
42	MS42PM124K	MS42RM124K	50.55	58.65			
50	MS50PM124K	MS50RM124K	57.95	69.1	22.1	22.2	1-3
75	MS75PM124K	MS75RM124K			31.2		

MS-M - Hyfen rectangular

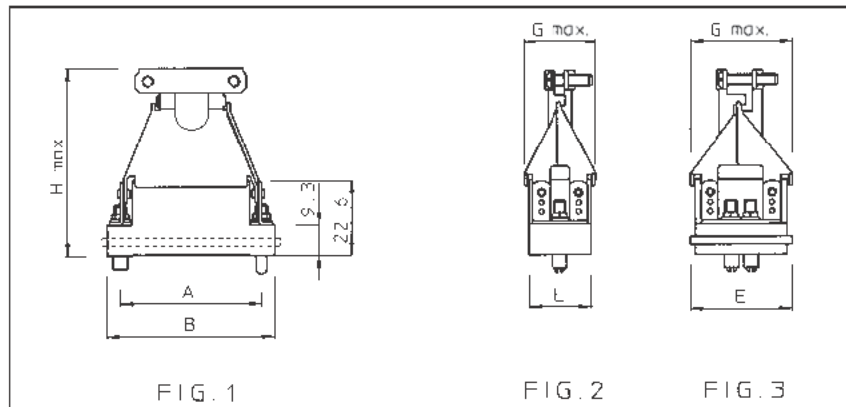
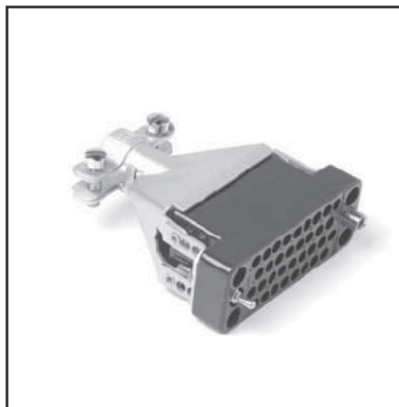


Cable connector with metal butterfly hood and fixed jackscrew hardware (MS--M140)



Connector size	Part number		A	B	E	G max	H	Fig.
	Plug version for male contacts	Receptacle version female contacts						
14	MS14PM140	MS14RM140	23.8	31.8	11.7	14.7	48.7	1-2
20	MS20PM140	MS20RM140	31.75	39.65				
26	MS26PM140	MS26RM140	33.3	41.3	15.0	18		
34	MS34PM140	MS34RM140	42.8	50.8				
42	MS42PM140	MS42RM140	50.55	58.65	19.1	22.2	56.7	
50	MS50PM140	MS50RM140	57.95	69.1				22.1
75	MS75PM140	MS75RM140			31.2	31.8		1-3

Cable connector with metal butterfly hood and guiding hardware (MS--M120)



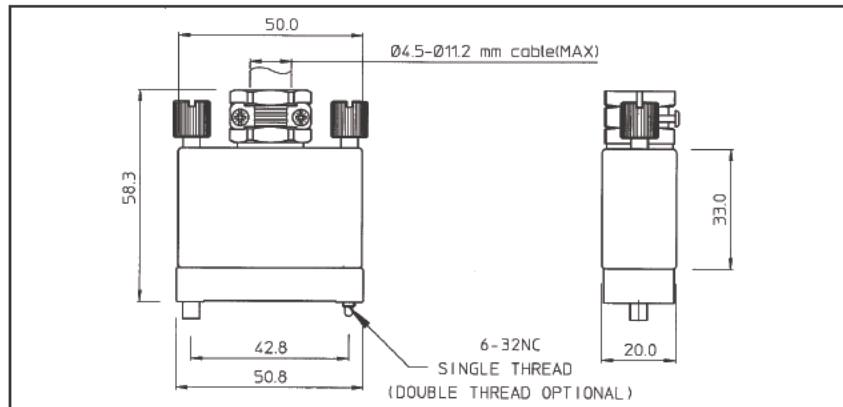
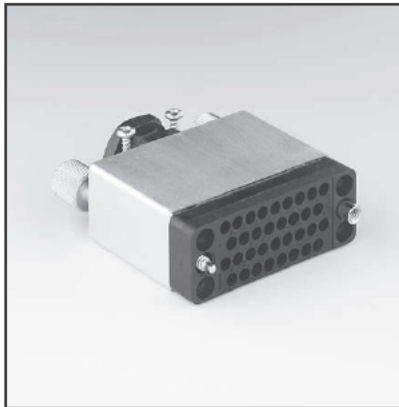
Connector size	Part number		A	B	E	G max	H	Fig.
	Plug version for male contacts	Receptacle version female contacts						
14	MS14PM120	MS14RM120	23.8	31.8	11.7	14.7	48.7	1-2
20	MS20PM120	MS20RM120	31.75	39.65				
26	MS26PM120	MS26RM120	33.3	41.3	15.0	18		
34	MS34PM120	MS34RM120	42.8	50.8				
42	MS42PM120	MS42RM120	50.55	58.65	19.1	22.2	56.7	
50	MS50PM120	MS50RM120	57.95	69.1				22.1
75	MS75PM120	MS75RM120			31.2	31.8		1-3

MS-M

MS-M - Hyfen rectangular

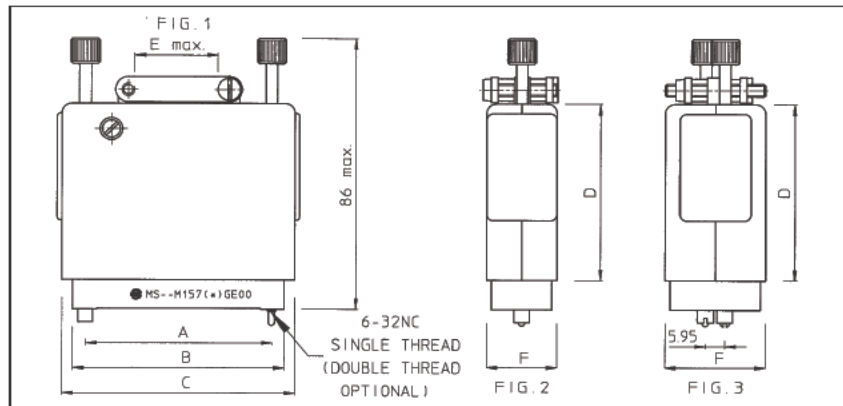


MS34 Cable connector with 1 piece metal suitcase hood (MS34--MEHM)



Part number		Description
Plug version for male contacts	Receptacle version for female contacts	
MS34PMEHM	MS34RMEHM	Anodised hood, plastic strain relief and turnable hardware.
MS34PMSEHM	MS34RMSEHM	Shielded version with nickel plated hood, metal strain relief and turnable hardware

Cable connector with Alu die cast hood (MS-M157GE00)

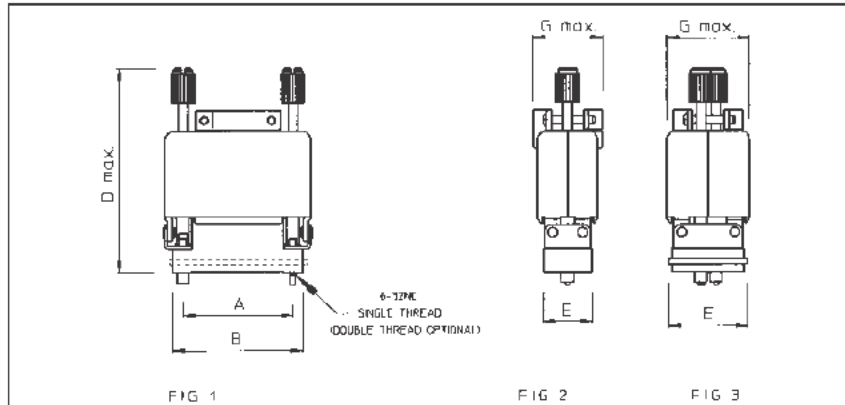
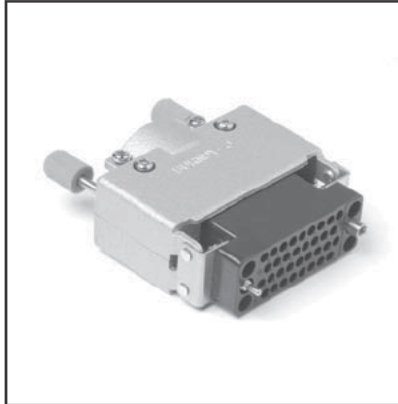


Connector size	Part number		A	B	C	D	E max.	F	Fig.
	Plug version for male contacts	Receptacle version for female contacts							
50	MS50PM157GE00	MS50RM157GE00	57.95	65.85	73.0	56.0	20.0	22.2	1-2
75	MS75PM157GE00	MS75RM157GE00	57.95	65.85	73.0	56.0	25.0	31.2	1-3

MS-M - Hyfen rectangular

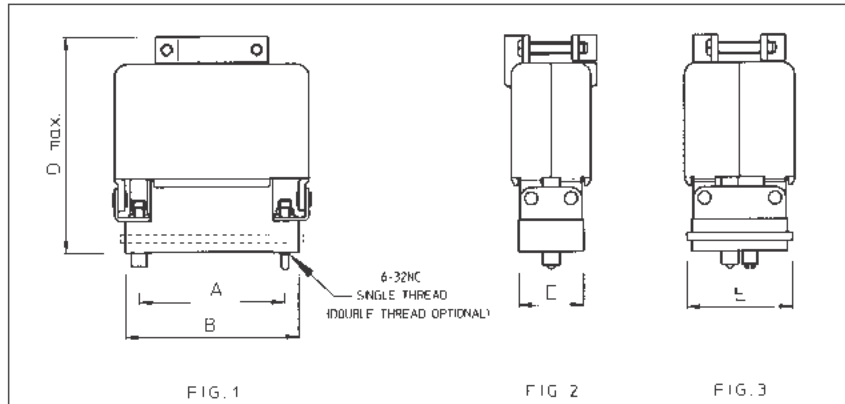
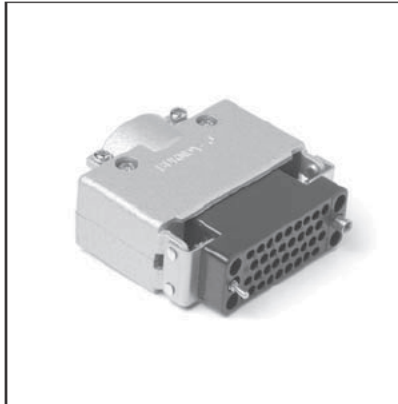


Cable connector with die cast hood and turnable jackscrew hardware (MS—MJD10)



Connector size	Part number		A	B	C	D max	E	G max	Fig.
	Plug version for male contacts	Receptacle version female contacts							
20	MS20PMJD10	MS20RMJD10	31.75	39.65	44.3	71	11.7	22	1-2
26	MS26PMJD10	MS26RMJD10	33.3	41.3					
34	MS34PMJD10	MS34RMJD10	42.8	50.8	61.5	80	19.1		
42	MS42PMJD10	MS42RMJD10	50.55	58.65			22.1	27.5	
50	MS50PMJD10	MS50RMJD10	57.95	69.1	69	72	31.2	33	1-3
75	MS75PMJD10	MS75RMJD10			72				

Cable connector with diecast hood and fixed jackscrew hardware (MS—MJD58)



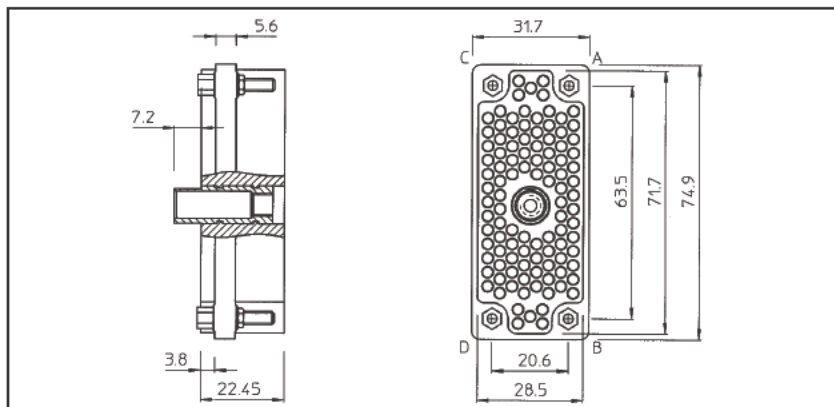
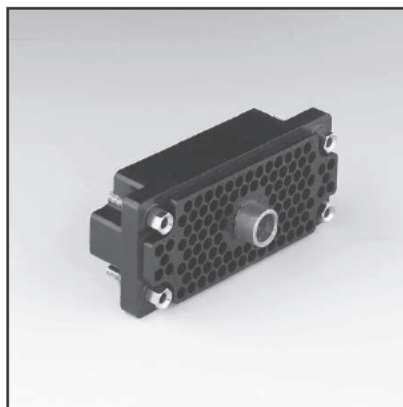
Connector size	Part number		A	B	C	D max	E	G max	Fig.
	Plug version for male contacts	Receptacle version female contacts							
20	MS20PMJD58	MS20RMJD58	31.75	39.65	44,3	55	11.7	22	1-2
34	MS34PMJD58	MS34RMJD58	42.8	50.8	61,5	63	19.1	26.5	
42	MS42PMJD58	MS42RMJD58	50.55	58.65					69
50	MS50PMJD58	MS50RMJD58	57.95	69.1	72				1-3
75	MS75PMJD58	MS75RMJD58							

MS-M

MS-M - Hyfen rectangular

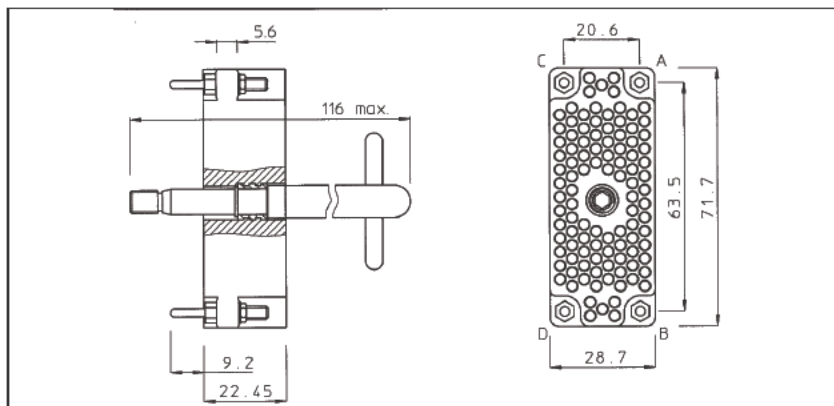
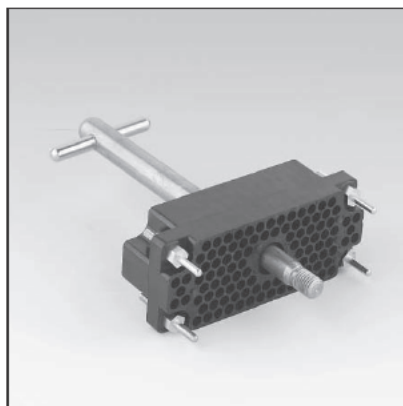


MSD104 receptacle cable connector with central jackscrew (MSD104RM)



Connector size	Part number	Orientation of guide sockets
104	MSD104RM489	A, B, C, D

MSD104 plug cable connector without cable clamp (MSD104PM)

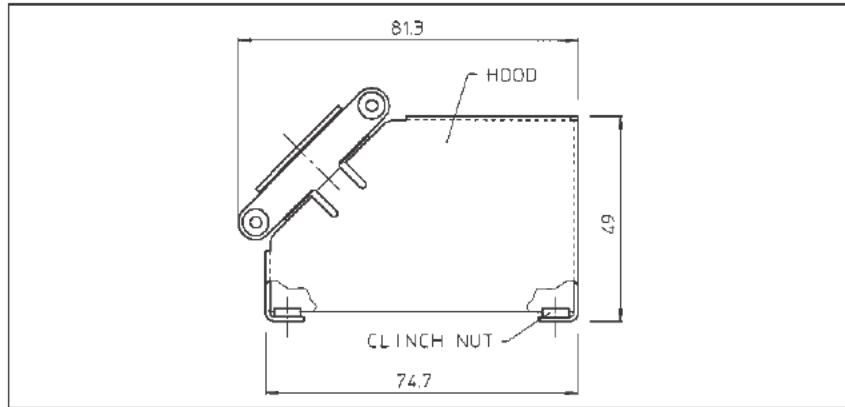


Connector size	Part number	Orientation of guide sockets
104	MSD104PM494	A, B, C, D

MS-M - Hyfen rectangular

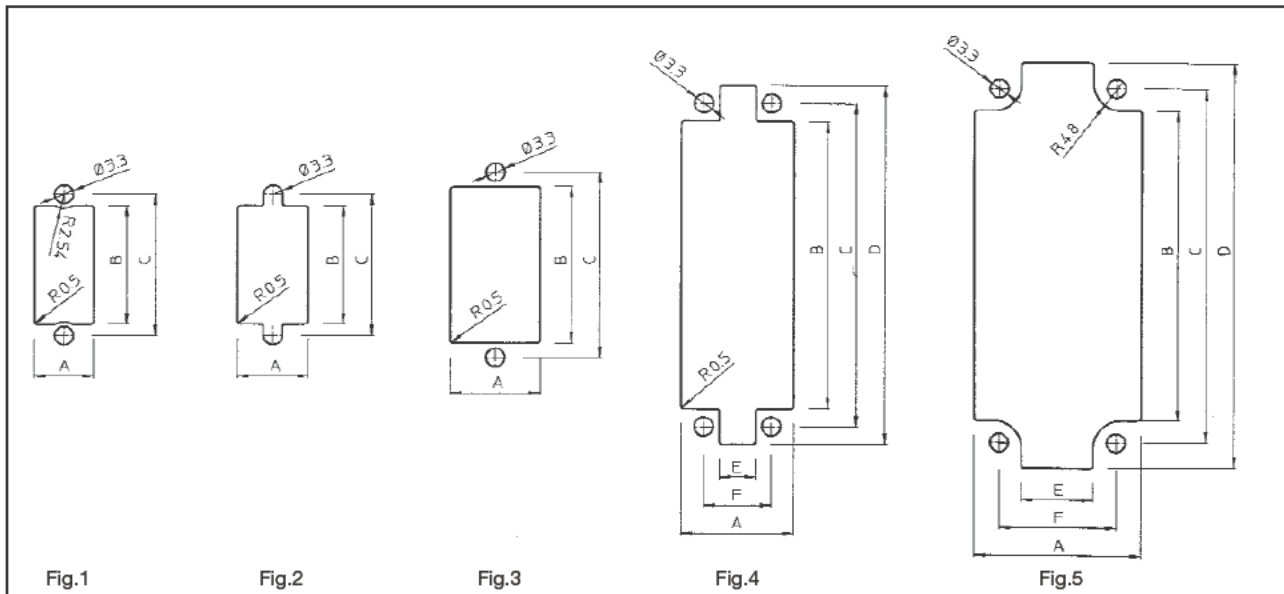


MSD104 cable hood with cable clamp (MSH104M1)



Connector size	Part number	Orientation of guide sockets
104	MSH104M1	A combination hood and cable clamp assembly which can be used on MSD104 receptacle or cable plug connector

MS-M panel cut-out dimensions



Connector size	Fig.	A	B	C	D	E	F
14	1 or 2	12.45	20.83	23.80	---	---	---
20	1 or 2	12.45	28.70	31.75			
26	2 or 3	15.75	28.20	33.30			
34	4	19.80	36.60	42.80	49.30	6.35	11.90
42	4		43.70	50.55	56.90		
50	4		51.60	57.95	64.30		
75	4	29.10	55.60	63.50	72.64	14.20	19.40
104	5	29.50				12.70	20.62

MS-M

Looking for pricing, stock, or lifecycle information?

Click below to explore more details on WIN SOURCE:

- ⊖ [View MS50PM157GE00 on WIN SOURCE](#)
- ⊖ [Souriau Connection Technology Information](#)

Optimize Your Supply Chain with WIN SOURCE Solutions

- ✓ Global Sourcing Solution
- ✓ Obsolete Management
- ✓ Cost Control Management
- ✓ Shortage Management
- ✓ Alternative Solution
- ✓ Excess Inventory Management