

---

---

**8/14/20-Pin, 8-Bit Flash Microcontroller Product Brief**

---

---

**Description:**

PIC12/16(L)F161X microcontrollers deliver on-chip features that are unique to the design for embedded control of small motors and general purpose applications in 8/14/20-pin count packages. Features like 10-bit A/D, CCP, 24-bit SMT and Zero-Cross Detection offer an excellent solution to the variety of applications. The product family also has a CRC+ memory scan and Windowed WDT to support safety-critical systems in home appliances, white goods and other end equipment.

**Core Features:**

- C Compiler Optimized RISC Architecture
- Only 49 Instructions
- Operating Speed:
  - DC – 32 MHz clock input
  - 125 ns minimum instruction cycle
- Interrupt Capability
- 16-Level Deep Hardware Stack
- Up to Four 8-bit Timers
- Up to Three 16-bit Timers
- Low Current Power-on Reset (POR)
- Configurable Power-up Timer (PWRT)
- Brown-out Reset (BOR) with Selectable Trip Point
- Window Watchdog Timer (WWDT):
  - Variable prescaler selection
  - Variable window size selection
  - All sources configurable in hardware or software

**Memory:**

- Up to 8 KW Flash Program Memory
- Up to 1024 Bytes Data SRAM Memory
- Direct, Indirect and Relative Addressing modes
- High-Endurance Flash Data Memory (HEF):
  - 128 B (nonvolatile), 100K Erase/Write Cycles

**Operating Characteristics:**

- Operating Voltage Range:
  - 1.8V to 3.6V (PIC16LF161X)
  - 2.3V to 5.5V (PIC16F161X)
- Temperature Range:
  - Industrial: -40°C to 85°C
  - Extended: -40°C to 125°C

**eXtreme Low-Power (XLP) Features:**

- Sleep mode: 50 nA @ 1.8V, typical
- Watchdog Timer: 500 nA @ 1.8V, typical
- Secondary Oscillator: 500 nA @ 32 kHz
- Operating Current:
  - 8 uA @ 32 kHz, 1.8V, typical
  - 32 uA/MHz @ 1.8V, typical

**Digital Peripherals:**

- Configurable Logic Cell (CLC):
  - Up to four CLCs
  - Integrated combinational and sequential logic
- Complementary Waveform Generator (CWG):
  - Rising and falling edge dead-band control
  - Full-bridge, half-bridge, 1-channel drive
  - Multiple signal sources
- Two Capture/Compare/PWM (CCP) modules
- PWM: Two 10-bit Pulse-Width Modulators
- Two Signal Measurement Timers (SMT):
  - 24-bit timer/counter with prescaler
  - Multiple gate and clock inputs
- Angular Timer:
  - Single pulse
  - Multiple pulses with missing pulse recovery
- Hardware Limit Timer (HLT):
  - 8-bit timer with prescaler
  - 8-bit period register and postscaler
  - Asynchronous H/W reset sources
- Math Accelerator:
  - Four operation modes
  - Add and multiply
  - Simple multiplier
  - Multiply and Accumulate (MAC)
  - Programmable PID controller
- Cyclic Redundancy Check with Memory Scan (CRC):
  - Software configurable
- Serial Communications:
  - Enhanced USART (EUSART)
  - SPI, I<sup>2</sup>C™, RS-232, RS-485, LIN compatible
  - Auto-Baud Detect, Auto-Wake-up on start
- Up to 18 I/O Pins:
  - Individually programmable pull-ups
  - Slew rate control
  - Interrupt-on-change with edge-select
- Peripheral Pin Select (PPS):
  - Enables pin mapping of digital I/O

# PIC12/16(L)F161X

## Intelligent Analog Peripherals:

- 10-Bit Analog-to-Digital Converter (ADC):
  - Up to 12 external channels
  - Conversion available during Sleep
- Two Comparators (CMP):
  - Low-Power/High-Speed mode
  - Up to three external inverting inputs
  - Fixed Voltage Reference at non-inverting input(s)
  - Comparator outputs externally accessible
- 8-Bit Digital-to-Analog Converter (DAC):
  - 8-bit resolution, rail-to-rail
  - Positive Reference Selection
- Voltage Reference:
  - Fixed Voltage Reference (FVR): 1.024V, 2.048V and 4.096V output levels
- Zero-Cross Detect (ZCD):
  - Detect when AC signal on pin crosses ground

## Clocking Structure:

- 16 MHz Internal Oscillator:
  - $\pm 1\%$  at calibration
  - Selectable frequency range from 32 MHz to 31 kHz
- 31 kHz Low-Power Internal Oscillator
- 4x Phase-Locked Loop (PLL):
  - For up to 32 MHz internal operation
- External Oscillator Block with:
  - Three external clock modes up to 32 MHz

**TABLE 1: PIC12/16(L)F161X FAMILY TYPES**

Device	Data Sheet Index	Program Memory Flash (W)	Data SRAM (bytes)	I/O Pins	8-bit/16-bit Timers	Comparators	10-bit ADC (ch)	Zero-Cross Detect	CCP/10-bit PWM	CWG	CLC	SMT/HLT	Angular Timer	Window Watchdog Timer	CRC with Memory Scan	Math Accelerator	PPS	EUSART	I <sup>2</sup> C™/SPI	Debug <sup>(1)</sup>
PIC12(L)F1612	(A)	2048	256	6	1/1	1	4	1	2/0	1	0	2/3	0	Y	Y	0	0	0	0	I/H
PIC16(L)F1613	(A)	2048	256	12	1/1	2	8	1	2/0	1	0	2/3	0	Y	Y	0	0	0	0	I/H
PIC16(L)F1614	(B)	4096	512	12	1/3	2	8	1	2/2	1	2	2/3	1	Y	Y	1	Y	1	1	I/H
PIC16(L)F1615	(C)	8192	1024	12	1/3	2	8	1	2/2	1	4	2/3	1	Y	Y	1	Y	1	1	I/H
PIC16(L)F1618	(B)	4096	512	18	1/3	2	12	1	2/2	1	2	2/3	1	Y	Y	1	Y	1	1	I/H
PIC16(L)F1619	(C)	8192	1024	18	1/3	2	12	1	2/2	1	4	2/3	1	Y	Y	1	Y	1	1	I/H

**Note 1:** Debugging Methods: (I) – Integrated on Chip; (H) – via ICD Header; E – using Emulation Product.

### Data Sheet Index:

- A. DS40001737 [PIC12\(L\)F1612/16\(L\)F1613 Data Sheet, 8/14-Pin, 8-bit Flash Microcontrollers](#)
- B. Future Release [PIC16\(L\)F1614/8 Data Sheet, 14/20-Pin, 8-bit Flash Microcontrollers](#)
- C. Future Release [PIC16\(L\)F1615/9 Data Sheet, 14/20-Pin, 8-bit Flash Microcontrollers](#)

**Note:** For other small form-factor package availability and marking information, please visit <http://www.microchip.com/packaging> or contact your local sales office.

# PIC12/16(L)F161X

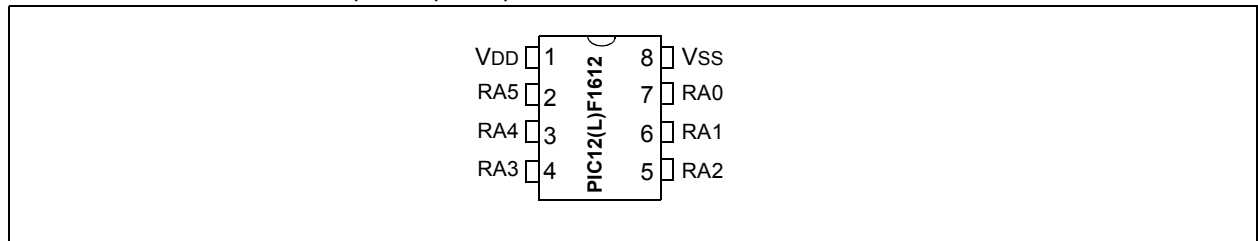
**TABLE 2: PACKAGES**

Packages	PDIP	SOIC	DFN	UDFN	TSSOP	QFN	UQFN	SSOP
PIC12(L)F1612	X	X	X	X				
PIC16(L)F1613	X	X			X	X	X	
PIC16(L)F1614	X	X			X	X		
PIC16(L)F1615	X	X			X	X		
PIC16(L)F1618	X	X				X		X
PIC16(L)F1619	X	X				X		X

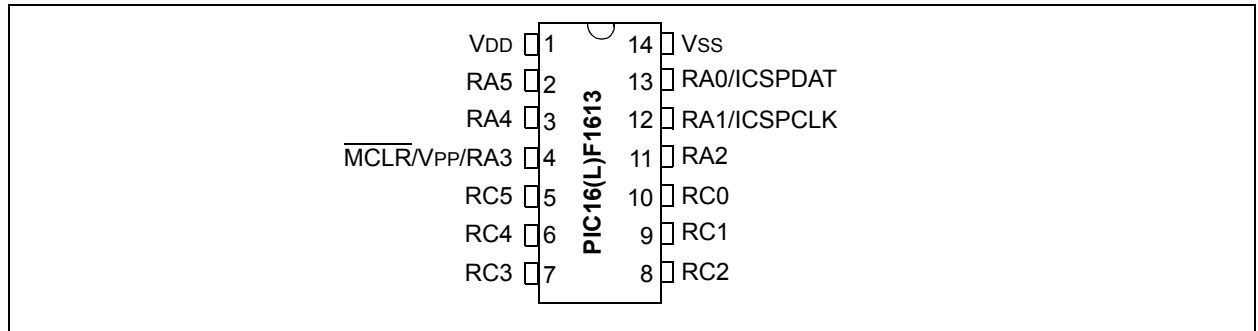
**Note:** Pin details are subject to change.

## PIN DIAGRAMS

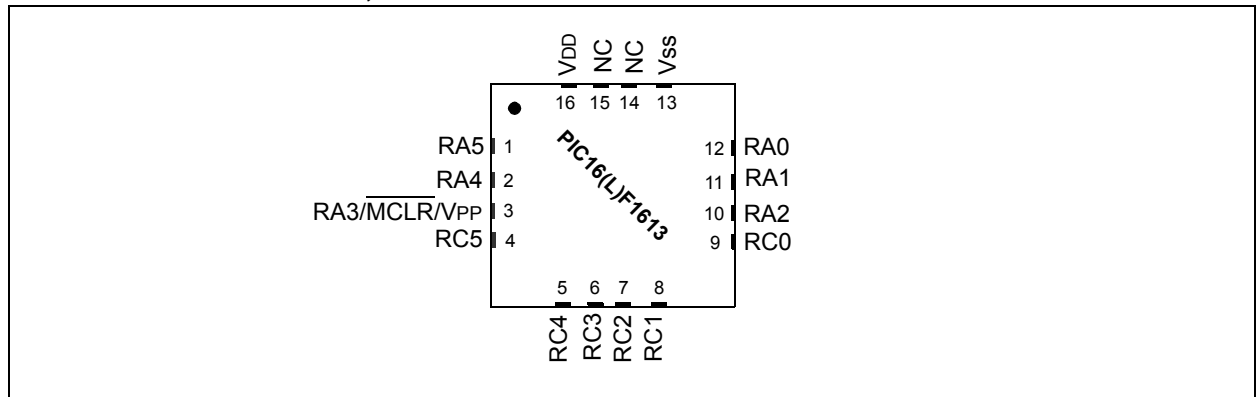
**FIGURE 1: 8-PIN PDIP, SOIC, DFN, UDFN**



**FIGURE 2: 14-PIN PDIP, SOIC, TSSOP**

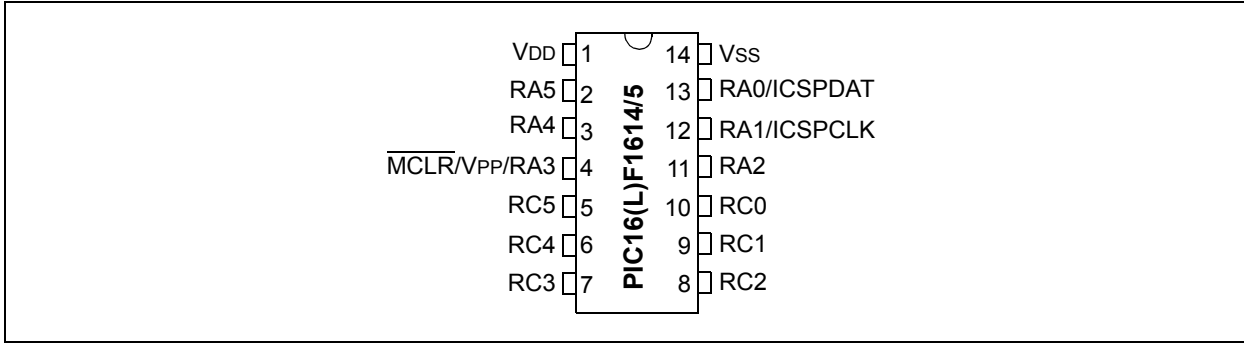


**FIGURE 3: 16-PIN QFN, UQFN**

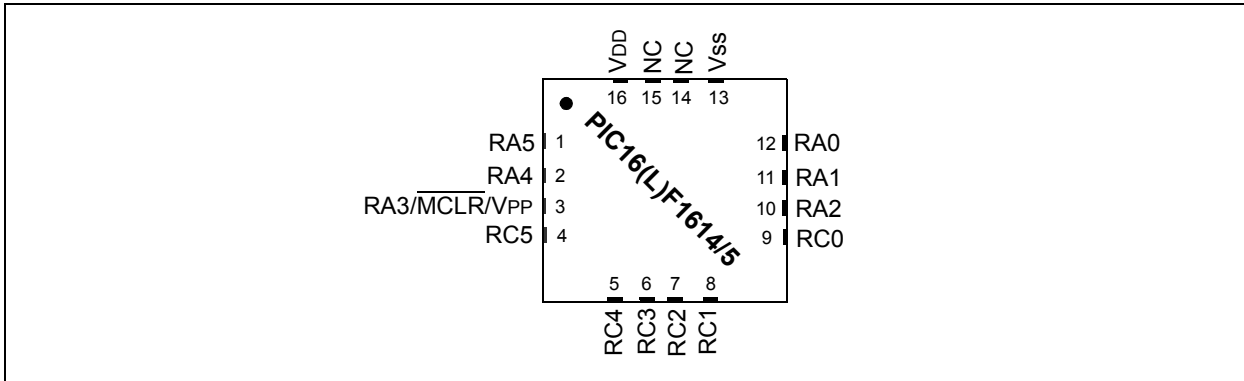


# PIC12/16(L)F161X

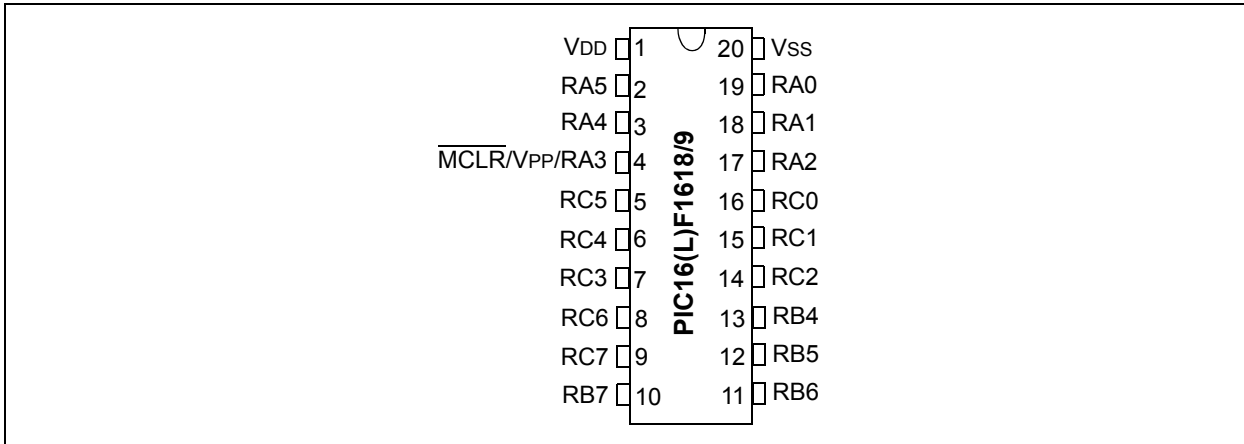
**FIGURE 4: 14-PIN PDIP, SOIC, TSSOP**



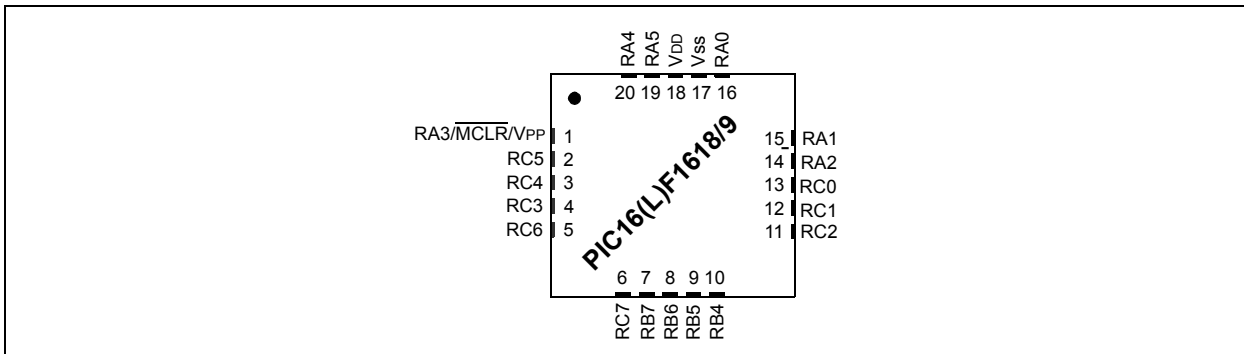
**FIGURE 5: 16-PIN QFN**



**FIGURE 6: 20-PIN PDIP, SOIC, SSOP**



**FIGURE 7: 20-PIN QFN**



## PIN ALLOCATION TABLES

**TABLE 3: 8-PIN ALLOCATION TABLE (PIC12(L)F1612)**

I/O	8-Pin PDIP, SOIC, DFN, UDFN	A/D	Reference	Comparator	Timers	CCP	CWG	ZCD	Interrupt	SMT	Pull-up	Basic
RA0	7	AN0	DAC1OUT1	C1IN+	—	CCP2	CWG1B	—	IOC	—	Y	ICSPDAT
RA1	6	AN1	VREF+	C1IN0-	—	—	—	ZCD1OUT	IOC	—	Y	ICSPCLK
RA2	5	AN2	—	C1OUT	T0CKI T4IN	CCP1	CWG1A CWG1IN	ZCD1IN	INT IOC	SMTSIG2	Y	—
RA3	4	—	—	—	T1G <sup>(1)</sup> T6IN	—	—	—	IOC	SMTWIN2	Y	$\overline{\text{MCLR}}/\text{VPP}$
RA4	3	AN3	—	C1IN1-	T1G	—	CWG1B <sup>(1)</sup>	—	IOC	SMTSIG1	Y	CLKOUT
RA5	2	—	—	—	T1CKI T2IN	CCP1 <sup>(1)</sup>	CWG1A <sup>(1)</sup>	—	IOC	SMTWIN1	Y	CLKIN
VDD	1	—	—	—	—	—	—	—	—	—	—	VDD
VSS	8	—	—	—	—	—	—	—	—	—	—	VSS

**Note 1:** Alternate pin function selected with the APFCON register.

**TABLE 4: 14/16-PIN ALLOCATION TABLE (PIC16(L)F1613)**

I/O	14-Pin PDIP, SOIC, TSSOP	16-Pin QFN, UQFN	A/D	Reference	Comparator	Timers	CCP	CWG	ZCD	Interrupt	SMT	Pull-up	Basic
RA0	13	12	AN0	DAC1OUT1	C1IN+	—	—	—	—	IOC	—	Y	ICSPDAT
RA1	12	11	AN1	VREF+	C1IN0- C2IN0-	—	—	—	ZCD1OUT	IOC	—	Y	ICSPCLK
RA2	11	10	AN2	—	C1OUT	T0CKI T4IN	—	CWG1IN	ZCD1IN	INT IOC	—	Y	—
RA3	4	3	—	—	—	T1G <sup>(1)</sup> T6IN	—	—	—	IOC	SMTWIN2	Y	$\overline{\text{MCLR}}/\text{VPP}$
RA4	3	2	AN3	—	—	T1G	—	—	—	IOC	SMTSIG1	Y	CLKOUT
RA5	2	1	—	—	—	T1CKI T2IN	CCP2 <sup>(1)</sup>	—	—	IOC	SMTWIN1	Y	CLKIN
RC0	10	9	AN4	—	C2IN+	—	—	—	—	IOC	—	Y	—
RC1	9	8	AN5	—	C1IN1- C2IN1-	T4IN	—	—	—	IOC	SMTSIG2	Y	—
RC2	8	7	AN6	—	C1IN2- C2IN2-	—	—	CWG1D	—	IOC	—	Y	—
RC3	7	6	AN7	—	C1IN3- C2IN3-	—	CCP2	CWG1C	—	IOC	—	Y	—
RC4	6	5	—	—	C2OUT	—	—	CWG1B	—	IOC	—	Y	—
RC5	5	4	—	—	—	—	CCP1	CWG1A	—	IOC	—	Y	—
VDD	1	16	—	—	—	—	—	—	—	—	—	—	VDD
VSS	14	13	—	—	—	—	—	—	—	—	—	—	VSS

**Note 1:** Alternate pin function selected with the APFCON register.

**TABLE 5: 14/16-PIN ALLOCATION TABLE (PIC16(L)F1614/5)**

I/O	14-Pin PDIP, SOIC, TSSOP	16-Pin QFN	A/D	Reference	Comparator	Timers	CCP	CWG	ZCD	CLC	EUSART	SMT	Angular Timer	MSSP	PWM
RA0	13	12	AN0	DAC1OUT1	C1IN+	—	—	—	—	—	—	—	—	—	—
RA1	12	11	AN1	VREF+	C1IN0- C2IN0-	—	—	—	—	—	—	—	—	—	—
RA2	11	10	AN2	—	C2IN+	T0CK1(1)	—	CWG1IN(1)	ZCD1IN	—	—	—	—	—	—
RA3	4	3	—	—	—	T6IN(1)	—	—	—	—	—	SMTWIN2(1)	—	—	—
RA4	3	2	AN3	—	—	T1G(1)	—	—	—	—	—	SMTSIG1(1)	—	—	—
RA5	2	1	—	—	—	T1CK1(1) T2IN(1)	—	—	—	—	—	SMTWIN1(1)	—	—	—
RC0	10	9	AN4	—	C2IN+	T5CK1(1)	—	—	—	—	—	—	—	SCK(1,3)	—
RC1	9	8	AN5	—	C1IN1- C2IN1-	T4IN(1)	—	—	—	—	—	SMTSIG2(1)	—	SDI(1)	—
RC2	8	7	AN6	—	C1IN2- C2IN2-	—	—	—	—	—	—	—	—	—	—
RC3	7	6	AN7	—	C1IN3- C2IN3-	T5G(1)	CCP2(1)	—	—	CLCIN0(1)	—	—	ATCC(1)	SS(1)	—
RC4	6	5	—	—	—	T3G(1)	—	—	—	CLCIN1(1)	CK(1)	—	—	—	—
RC5	5	4	—	—	—	T3CK1(1)	CCP1(1)	—	—	—	RX(1,3)	—	ATIN(1)	—	—
VDD	1	16	—	—	—	—	—	—	—	—	—	—	—	—	—
VSS	14	13	—	—	—	—	—	—	—	—	—	—	—	—	—
OUT(2)	—	—	—	—	C1OUT	—	CCP1	CWG1A	ZCD1OUT	CLC1OUT	DT(3)	—	—	SDO	PWM3OUT
	—	—	—	—	C2OUT	—	CCP1	CWG1B	—	CLC2OUT	CK	—	—	SCK(3)	PWM4OUT
	—	—	—	—	—	—	—	CWG1C	—	—	TX	—	—	—	—

**Note 1:** Default peripheral input. Input can be moved to any other pin with the PPS input selection registers.

**2:** All pin outputs default to PORT latch data. Any pin can be selected as a digital peripheral output with the PPS output selection registers.

**3:** These peripheral functions are bidirectional. The output pin selections must be the same as the input pin selections.

**TABLE 6: 20-PIN ALLOCATION TABLE (PIC16(L)F1618/9)**

I/O	20-Pin PDIP, SOIC, SSOP	20-Pin QFN	A/D	Reference	Comparator	Timers	CCP	CWG	ZCD	CLC	EUSART	SMT	Angular Timer	MSSP	PWM
RA0	19	16	AN0	DAC1OUT	C1IN+	—	—	—	—	—	—	—	—	—	—
RA1	18	15	AN1	VREF+	C1IN0- C2IN0-	—	—	—	—	—	—	—	—	—	—
RA2	17	14	AN2	—	—	T0CKI(1)	—	CWG1IN(1)	—	—	—	—	—	—	—
RA3	4	1	—	—	—	T6IN(1)	—	—	—	—	—	SMTWIN2(1)	—	—	—
RA4	3	20	AN3	—	—	T1G(1)	—	—	—	—	—	SMTSIG(1)	—	—	—
RA5	2	19	—	—	—	T1CKI(1) T2IN(1)	—	—	—	CLCIN3(1)	—	SMTWIN1(1)	—	—	—
RB4	13	10	AN10	—	—	—	—	—	—	—	—	—	—	SD(1)	—
RB5	12	9	AN11	—	—	—	—	—	—	—	RX(1,3)	—	—	—	—
RB6	11	8	—	—	—	—	—	—	—	—	—	—	—	—	—
RB7	10	7	—	—	—	—	—	—	—	—	—	—	—	—	—
RC0	16	13	AN4	—	C2IN+	T5CKI(1)	—	—	—	—	—	—	—	—	—
RC1	15	12	AN5	—	C1IN1- C2IN1-	T4IN(1)	—	—	—	CLCIN(2)	—	SMTSIG2(1)	—	—	—
RC2	14	11	AN6	—	C1IN2- C2IN2-	—	—	—	—	—	—	—	—	—	—
RC3	7	4	AN7	—	C1IN3- C2IN3-	T5G(1)	CCP2(1)	—	—	CLCIN0(1)	—	—	ATCC(1)	—	—
RC4	6	3	—	—	—	T3G(1)	—	—	—	CLCIN1(1)	—	—	—	—	—
RC5	5	2	—	—	—	T3CKI(1)	CCP2(1)	—	—	—	—	—	ATIN(1)	—	—
RC6	8	5	AN8	—	—	—	—	—	—	—	—	—	—	SS(1)	—
RC7	9	6	AN9	—	—	—	—	—	—	—	—	—	—	—	—
VDD	1	18	—	—	—	—	—	—	—	—	—	—	—	—	—
VSS	20	17	—	—	—	—	—	—	—	—	—	—	—	—	—

**Note 1:** Default peripheral input. Input can be moved to any other pin with the PPS input selection registers.

**2:** All pin outputs default to PORT latch data. Any pin can be selected as a digital peripheral output with the PPS output selection registers.

**3:** These peripheral functions are bidirectional. The output pin selections must be the same as the input pin selections.

**TABLE 6: 20-PIN ALLOCATION TABLE (PIC16(L)F1618/9)**

I/O	20-Pin PDIP, SOIC, SSOP	20-Pin QFN	A/D	Reference	Comparator	Timers	CCP	CWG	ZCD	CLC	EUSART	SMT	Angular Timer	MSSP	PWM
OUT <sup>(2)</sup>	—	—	—	—	C1OUT	—	CCP1	CWG1A	ZCD1OUT	CLC1OUT	DT <sup>(3)</sup>	—	—	SDO	PWM3OUT
	—	—	—	—	C2OUT	—	CCP2	CWG1B	—	CLC2OUT	CK	—	—	SCK <sup>(3)</sup>	PWM4OUT
—	—	—	—	—	—	—	—	CWG1C	—	CLC3OUT	TX	—	—	—	—
—	—	—	—	—	—	—	—	CWG1D	—	CLC4OUT	—	—	—	—	—

**Note 1:** Default peripheral input. Input can be moved to any other pin with the PPS input selection registers.

**2:** All pin outputs default to PORT latch data. Any pin can be selected as a digital peripheral output with the PPS output selection registers.

**3:** These peripheral functions are bidirectional. The output pin selections must be the same as the input pin selections.

---

---

**Note the following details of the code protection feature on Microchip devices:**

- Microchip products meet the specification contained in their particular Microchip Data Sheet.
- Microchip believes that its family of products is one of the most secure families of its kind on the market today, when used in the intended manner and under normal conditions.
- There are dishonest and possibly illegal methods used to breach the code protection feature. All of these methods, to our knowledge, require using the Microchip products in a manner outside the operating specifications contained in Microchip's Data Sheets. Most likely, the person doing so is engaged in theft of intellectual property.
- Microchip is willing to work with the customer who is concerned about the integrity of their code.
- Neither Microchip nor any other semiconductor manufacturer can guarantee the security of their code. Code protection does not mean that we are guaranteeing the product as “unbreakable.”

Code protection is constantly evolving. We at Microchip are committed to continuously improving the code protection features of our products. Attempts to break Microchip's code protection feature may be a violation of the Digital Millennium Copyright Act. If such acts allow unauthorized access to your software or other copyrighted work, you may have a right to sue for relief under that Act.

---

Information contained in this publication regarding device applications and the like is provided only for your convenience and may be superseded by updates. It is your responsibility to ensure that your application meets with your specifications. MICROCHIP MAKES NO REPRESENTATIONS OR WARRANTIES OF ANY KIND WHETHER EXPRESS OR IMPLIED, WRITTEN OR ORAL, STATUTORY OR OTHERWISE, RELATED TO THE INFORMATION, INCLUDING BUT NOT LIMITED TO ITS CONDITION, QUALITY, PERFORMANCE, MERCHANTABILITY OR FITNESS FOR PURPOSE. Microchip disclaims all liability arising from this information and its use. Use of Microchip devices in life support and/or safety applications is entirely at the buyer's risk, and the buyer agrees to defend, indemnify and hold harmless Microchip from any and all damages, claims, suits, or expenses resulting from such use. No licenses are conveyed, implicitly or otherwise, under any Microchip intellectual property rights.

#### **Trademarks**

The Microchip name and logo, the Microchip logo, dsPIC, FlashFlex, KEELOQ, KEELOQ logo, MPLAB, PIC, PICmicro, PICSTART, PIC<sup>32</sup> logo, rPIC, SST, SST Logo, SuperFlash and UNI/O are registered trademarks of Microchip Technology Incorporated in the U.S.A. and other countries.

FilterLab, Hampshire, HI-TECH C, Linear Active Thermistor, MTP, SEEVAL and The Embedded Control Solutions Company are registered trademarks of Microchip Technology Incorporated in the U.S.A.

Silicon Storage Technology is a registered trademark of Microchip Technology Inc. in other countries.


Analog-for-the-Digital Age, Application Maestro, BodyCom, chipKIT, chipKIT logo, CodeGuard, dsPICDEM, dsPICDEM.net, dsPICworks, dsSPEAK, ECAN, ECONOMONITOR, FanSense, HI-TIDE, In-Circuit Serial Programming, ICSP, Mindi, MiWi, MPASM, MPF, MPLAB Certified logo, MPLIB, MPLINK, mTouch, Omniclient Code Generation, PICC, PICC-18, PICDEM, PICDEM.net, PICkit, PICtail, REAL ICE, rLAB, Select Mode, SQI, Serial Quad I/O, Total Endurance, TSHARC, UniWinDriver, WiperLock, ZENA and Z-Scale are trademarks of Microchip Technology Incorporated in the U.S.A. and other countries.

SQTP is a service mark of Microchip Technology Incorporated in the U.S.A.

GestIC and ULPP are registered trademarks of Microchip Technology Germany II GmbH & Co. KG, a subsidiary of Microchip Technology Inc., in other countries.

All other trademarks mentioned herein are property of their respective companies.

© 2014, Microchip Technology Incorporated, Printed in the U.S.A., All Rights Reserved.

 Printed on recycled paper.

ISBN: 9781620779415

**QUALITY MANAGEMENT SYSTEM**  
**CERTIFIED BY DNV**  
**== ISO/TS 16949 ==**

*Microchip received ISO/TS-16949:2009 certification for its worldwide headquarters, design and wafer fabrication facilities in Chandler and Tempe, Arizona; Gresham, Oregon and design centers in California and India. The Company's quality system processes and procedures are for its PIC® MCUs and dsPIC® DSCs, KEELOQ® code hopping devices, Serial EEPROMs, microperipherals, nonvolatile memory and analog products. In addition, Microchip's quality system for the design and manufacture of development systems is ISO 9001:2000 certified.*



# MICROCHIP

## Worldwide Sales and Service

### AMERICAS

**Corporate Office**  
2355 West Chandler Blvd.  
Chandler, AZ 85224-6199  
Tel: 480-792-7200  
Fax: 480-792-7277  
Technical Support:  
<http://www.microchip.com/support>  
Web Address:  
[www.microchip.com](http://www.microchip.com)

**Atlanta**  
Duluth, GA  
Tel: 678-957-9614  
Fax: 678-957-1455

**Austin, TX**  
Tel: 512-257-3370

**Boston**  
Westborough, MA  
Tel: 774-760-0087  
Fax: 774-760-0088

**Chicago**  
Itasca, IL  
Tel: 630-285-0071  
Fax: 630-285-0075

**Cleveland**  
Independence, OH  
Tel: 216-447-0464  
Fax: 216-447-0643

**Dallas**  
Addison, TX  
Tel: 972-818-7423  
Fax: 972-818-2924

**Detroit**  
Novi, MI  
Tel: 248-848-4000

**Houston, TX**  
Tel: 281-894-5983

**Indianapolis**  
Noblesville, IN  
Tel: 317-773-8323  
Fax: 317-773-5453

**Los Angeles**  
Mission Viejo, CA  
Tel: 949-462-9523  
Fax: 949-462-9608

**New York, NY**  
Tel: 631-435-6000

**San Jose, CA**  
Tel: 408-735-9110

**Canada - Toronto**  
Tel: 905-673-0699  
Fax: 905-673-6509

### ASIA/PACIFIC

**Asia Pacific Office**  
Suites 3707-14, 37th Floor  
Tower 6, The Gateway  
Harbour City, Kowloon  
Hong Kong  
Tel: 852-2401-1200  
Fax: 852-2401-3431

**Australia - Sydney**  
Tel: 61-2-9868-6733  
Fax: 61-2-9868-6755

**China - Beijing**  
Tel: 86-10-8569-7000  
Fax: 86-10-8528-2104

**China - Chengdu**  
Tel: 86-28-8665-5511  
Fax: 86-28-8665-7889

**China - Chongqing**  
Tel: 86-23-8980-9588  
Fax: 86-23-8980-9500

**China - Hangzhou**  
Tel: 86-571-2819-3187  
Fax: 86-571-2819-3189

**China - Hong Kong SAR**  
Tel: 852-2943-5100  
Fax: 852-2401-3431

**China - Nanjing**  
Tel: 86-25-8473-2460  
Fax: 86-25-8473-2470

**China - Qingdao**  
Tel: 86-532-8502-7355  
Fax: 86-532-8502-7205

**China - Shanghai**  
Tel: 86-21-5407-5533  
Fax: 86-21-5407-5066

**China - Shenyang**  
Tel: 86-24-2334-2829  
Fax: 86-24-2334-2393

**China - Shenzhen**  
Tel: 86-755-8864-2200  
Fax: 86-755-8203-1760

**China - Wuhan**  
Tel: 86-27-5980-5300  
Fax: 86-27-5980-5118

**China - Xian**  
Tel: 86-29-8833-7252  
Fax: 86-29-8833-7256

**China - Xiamen**  
Tel: 86-592-2388138  
Fax: 86-592-2388130

**China - Zhuhai**  
Tel: 86-756-3210040  
Fax: 86-756-3210049

### ASIA/PACIFIC

**India - Bangalore**  
Tel: 91-80-3090-4444  
Fax: 91-80-3090-4123

**India - New Delhi**  
Tel: 91-11-4160-8631  
Fax: 91-11-4160-8632

**India - Pune**  
Tel: 91-20-3019-1500

**Japan - Osaka**  
Tel: 81-6-6152-7160  
Fax: 81-6-6152-9310

**Japan - Tokyo**  
Tel: 81-3-6880-3770  
Fax: 81-3-6880-3771

**Korea - Daegu**  
Tel: 82-53-744-4301  
Fax: 82-53-744-4302

**Korea - Seoul**  
Tel: 82-2-554-7200  
Fax: 82-2-558-5932 or  
82-2-558-5934

**Malaysia - Kuala Lumpur**  
Tel: 60-3-6201-9857  
Fax: 60-3-6201-9859

**Malaysia - Penang**  
Tel: 60-4-227-8870  
Fax: 60-4-227-4068

**Philippines - Manila**  
Tel: 63-2-634-9065  
Fax: 63-2-634-9069

**Singapore**  
Tel: 65-6334-8870  
Fax: 65-6334-8850

**Taiwan - Hsin Chu**  
Tel: 886-3-5778-366  
Fax: 886-3-5770-955

**Taiwan - Kaohsiung**  
Tel: 886-7-213-7830

**Taiwan - Taipei**  
Tel: 886-2-2508-8600  
Fax: 886-2-2508-0102

**Thailand - Bangkok**  
Tel: 66-2-694-1351  
Fax: 66-2-694-1350

### EUROPE

**Austria - Wels**  
Tel: 43-7242-2244-39  
Fax: 43-7242-2244-393

**Denmark - Copenhagen**  
Tel: 45-4450-2828  
Fax: 45-4485-2829

**France - Paris**  
Tel: 33-1-69-53-63-20  
Fax: 33-1-69-30-90-79

**Germany - Dusseldorf**  
Tel: 49-2129-3766400

**Germany - Munich**  
Tel: 49-89-627-144-0  
Fax: 49-89-627-144-44

**Germany - Pforzheim**  
Tel: 49-7231-424750

**Italy - Milan**  
Tel: 39-0331-742611  
Fax: 39-0331-466781

**Italy - Venice**  
Tel: 39-049-7625286

**Netherlands - Drunen**  
Tel: 31-416-690399  
Fax: 31-416-690340

**Poland - Warsaw**  
Tel: 48-22-3325737

**Spain - Madrid**  
Tel: 34-91-708-08-90  
Fax: 34-91-708-08-91

**Sweden - Stockholm**  
Tel: 46-8-5090-4654

**UK - Wokingham**  
Tel: 44-118-921-5800  
Fax: 44-118-921-5820

## Looking for pricing, stock, or lifecycle information?

Click below to explore more details on WIN SOURCE:

- ⊖ [View PIC16F1614-I/ST on WIN SOURCE](#)
- ⊖ [Microchip Technology Information](#)

## Optimize Your Supply Chain with WIN SOURCE Solutions

- ✓ Global Sourcing Solution
- ✓ Obsolete Management
- ✓ Cost Control Management
- ✓ Shortage Management
- ✓ Alternative Solution
- ✓ Excess Inventory Management