



**THE DATASHEET OF
PCF7991AT/1081,118**



Advanced Basestation IC, ABIC

Features

- Extended system operating range due to powerful AM/PM demodulation technique
- Ideally suited for "Intelligent Antenna" and "Active Antenna" architectures
- High antenna drive capabilities, CW: 200mA_p
- Low antenna driver output resistance, 3.5
- Excellent receiver sensitivity, 2mV_{pp}
- Large receiver dynamic range
- Programmable clock divider, modulator, receiver gain and filter characteristics
- Fast "read after write" receiver settling characteristics
- On-chip receive EMI filter
- Antenna failure mode detection
- Few external components
- Operating supply voltage: 4.5 to 5.5 V
- Power down mode: 7 A @ 5.5 V
- 14-pin SO package

General Description

The PCF7991 is a highly integrated and powerful advanced basestation IC, ABIC, ideally suited for vehicle immobilisation applications. The device incorporates all necessary functions to facilitate reading and writing of transponders.

The ABIC, PCF7991 employs a unique AM/PM demodulation technique that extends the system operating range compared with simple envelope detection.

Optimised to operate with the Philips transponder family (PCF79xx), the ABIC can be used in combination with commonly available transponder that employ ASK modulation. ASK modulation and receive characteristics are widely programmable for powerful system adaptation. The ABIC fits "Intelligent Antenna" as well as "Active Antenna" applications.

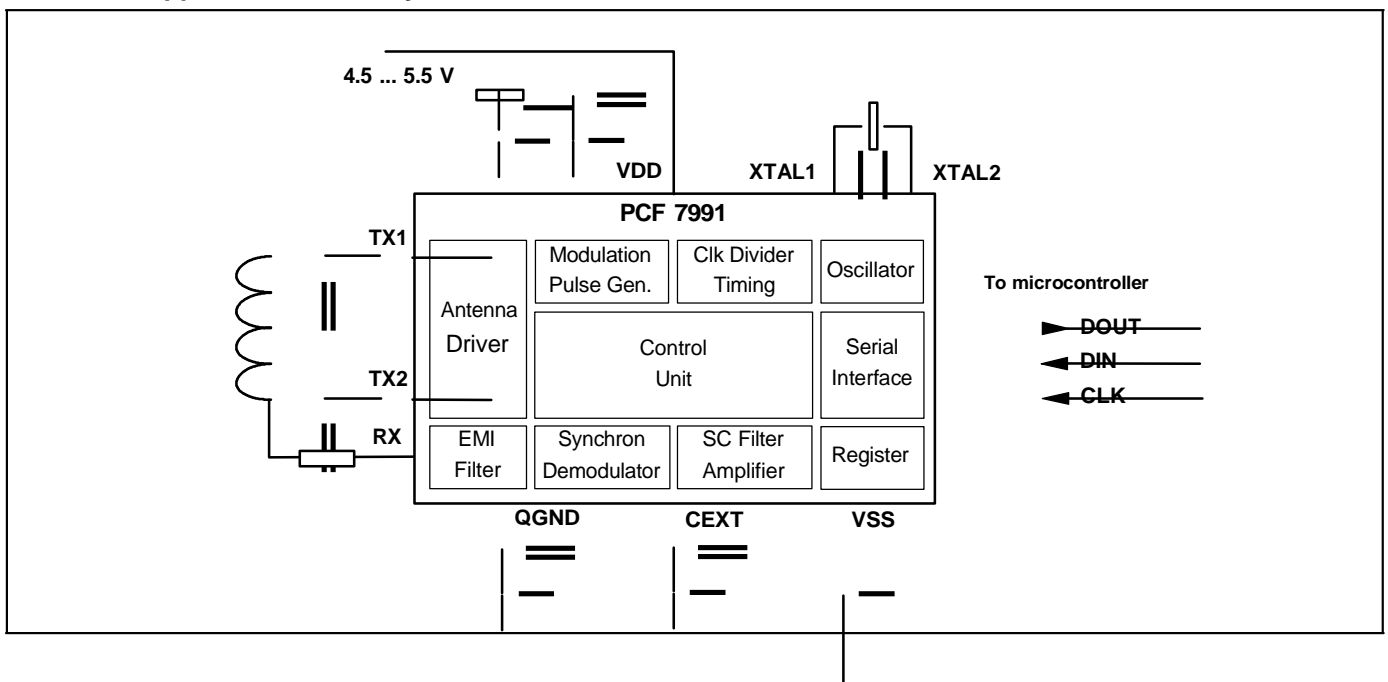
The carrier frequency can be derived from an on-chip oscillator or an external clock source. A wide range of clock frequencies can be applied due to the programmable on-chip clock divider circuitry.

The device enables system diagnostic functions by antenna fail detection features.

Communication with the device and the transponder is provided via the serial microcontroller interface.



Employing CMOS technology, the device features low power operation and supports Idle and Powerdown modes.

Minimum Application Circuitry



Looking for pricing, stock, or lifecycle information?

Click below to explore more details on WIN SOURCE:

-  [View PCF7991AT/1081,118 on WIN SOURCE](#)
-  [NXP / Nexperia Information](#)

Optimize Your Supply Chain with WIN SOURCE Solutions

-  Global Sourcing Solution
-  Obsolete Management
-  Cost Control Management
-  Shortage Management
-  Alternative Solution
-  Excess Inventory Management