



**THE DATASHEET OF  
PCE-112D1H,000**



THIS DRAWING IS UNPUBLISHED.

RELEASED FOR PUBLICATION

© COPYRIGHT

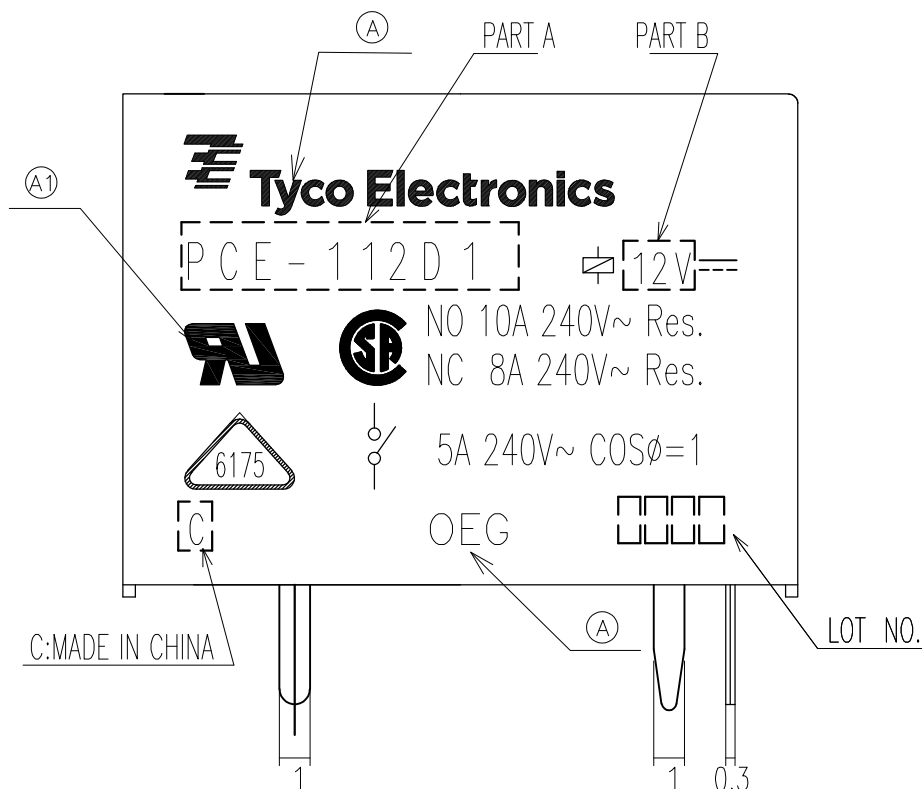
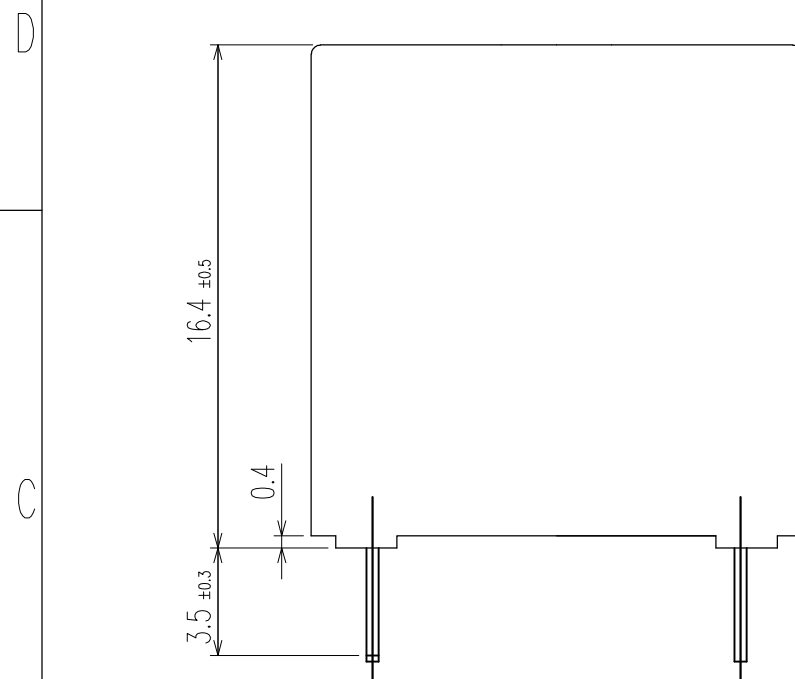
ALL RIGHTS RESERVED.

LOC HB

DIST

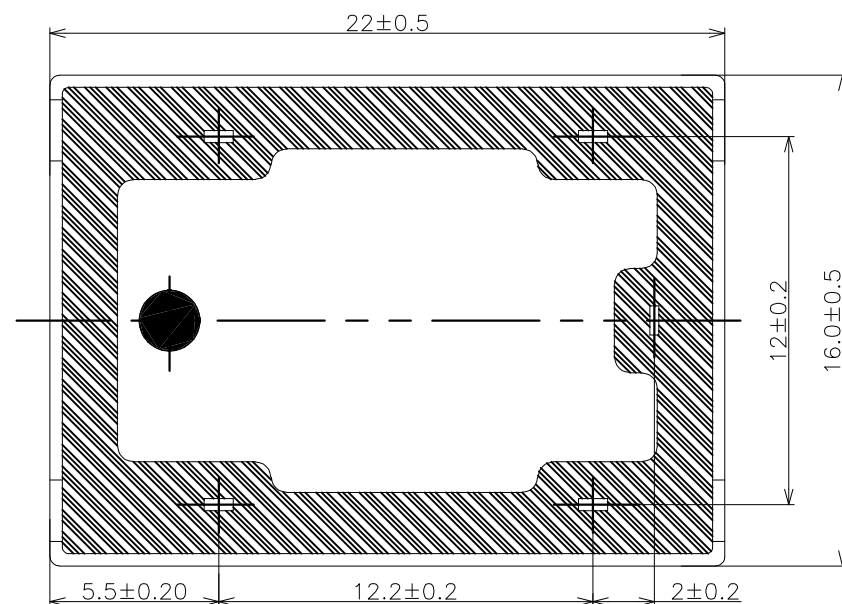
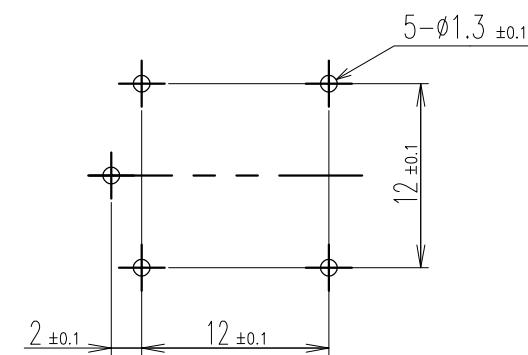
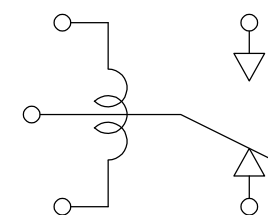
REVISIONS

P	LTR	DESCRIPTION	DATE	DWN	APVD
	A2	REVISED PER ECO-11-005140	29MAR11	RK	HMR



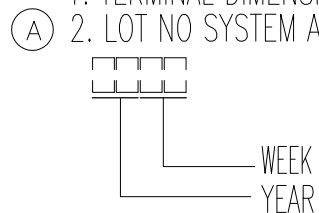
CIRCUIT DIAGRAM (BOTTOM VIEW)

DRILLING DIAGRAM (BOTTOM VIEW)



NOTES:

- 1. TERMINAL DIMENSION IS BEFORE SOLDER DIP.
- 2. LOT NO SYSTEM AS FOLLOWING:



GENERAL TOLERANCE

Diagram dimension	Tolerance
0.99mm max.	±0.1mm
1 - 2.99mm	±0.2mm
3mm min.	±0.3mm

DWN H.SASAKI		<b>STE</b> TE Connectivity	
CHK N.FUNAYAMA			
APVD A.NAGAI		NAME	
PRODUCT SPEC -		PCE-1**D1,000 CUSTOMER DRAWING	
APPLICATION SPEC -		RESTRICTED TO	
SIZE A3	CAGE CODE 00779	DRAWING NO. 8-1419124-0	REV A2
MATERIAL -		SCALE 4:1	SHEET 1 OF 2
FINISH -		CUSTOMER DRAWING	

4 THIS DRAWING IS UNPUBLISHED.

3 RELEASED FOR PUBLICATION

2 LOC

DIST

1 REVISIONS

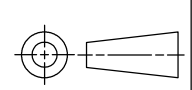

© COPYRIGHT

ALL RIGHTS RESERVED.

P	LTR	DESCRIPTION	DATE	DWN	APVD

3-1419125-0	PCE-148D1H ,000	48V	PCE-148D1H	k
1-1419146-8	PCE-148D1 ,000	48V	PCE-148D1	j
1-1419125-4	PCE-124D1H ,000	24V	PCE-124D1H	i
1-1419125-2	PCE-124D1 ,000	24V	PCE-124D1	h
1-1419146-5	PCE-118D1H ,000	18V	PCE-118D1H	g
9-1419124-6	PCE-112D1H ,000	12V	PCE-112D1H	f
9-1419124-4	PCE-112D1 ,000	12V	PCE-112D1	e
9-1419124-0	PCE-109D1H ,000	9V	PCE-109D1H	d
8-1419124-4	PCE-106D1H ,000	6V	PCE-106D1H	c
8-1419124-1	PCE-105D1H ,000	5V	PCE-105D1H	b
8-1419124-0	PCE-105D1 ,000	5V	PCE-105D1	a
PART NO	TE CONNETIVITY TYPE NAME	PART B	PART A	ITEM

RELAY TYPE

DIMENSIONS: mm 	TOLERANCES UNLESS OTHERWISE SPECIFIED: 0 PLC ± 1 PLC ± 2 PLC ± 3 PLC ± 4 PLC ± ANGLES ±	DWN	 TE Connectivity	
		CHK		
MATERIAL	FINISH	APVD		NAME
		PRODUCT SPEC		PCE-1**D1,000 CUSTOMER DRAWING
		APPLICATION SPEC	RESTRICTED TO	
		WEIGHT	SIZE A3	
		CUSTOMER DRAWING	CAGE CODE 00779	
			DRAWING NO 8-1419124-0	
			SCALE 4:1	
			SHEET 2 OF 2	
			REV A2	

## Looking for pricing, stock, or lifecycle information?

Click below to explore more details on WIN SOURCE:

 [View PCE-112D1H,000 on WIN SOURCE](#)

 [TE Connectivity](#) Information

## Optimize Your Supply Chain with WIN SOURCE Solutions

-  Global Sourcing Solution
-  Obsolete Management
-  Cost Control Management
-  Shortage Management
-  Alternative Solution
-  Excess Inventory Management