



**THE DATASHEET OF
PCA9674D,512**





PCA9674; PCA9674A

Remote 8-bit I/O expander for Fm+ I²C-bus with interrupt

Rev. 7 — 30 May 2013

Product data sheet

1. General description

The PCA9674/74A provides general-purpose remote I/O expansion via the two-wire bidirectional I²C-bus (serial clock (SCL), serial data (SDA)).

The devices consist of eight quasi-bidirectional ports, 1 MHz I²C-bus Fast-mode Plus (Fm+) family interface, with high speed data transfer it can support PWM dimming of LEDs, and higher I²C-bus drive 30 mA for more devices can be on the bus without the need for bus buffers. Three hardware address inputs and interrupt output operating between 2.3 V and 5.5 V. The quasi-bidirectional port can be independently assigned as an input to monitor interrupt status or keypads, or as an output to activate indicator devices such as LEDs. The system master can read from the input port or write to the output port through a single register.

The low current consumption of 4.5 μ A (typical, static) is great for mobile applications and the latched output ports have 25 mA high current sink drive capability for directly driving LEDs.

The PCA9674 and PCA9674A are identical except for the different, non-overlapping slave address. The three hardware selectable address pins can be decode to 64 addresses for the PCA9674 and 62 addresses for the PCA9674A, so there can be up to 126 of these I/O expanders PCA9674/74A together on the same I²C-bus without the need for bus buffers, supporting up to 1008 I/Os (for example, 1008 LEDs).

The active LOW open-drain interrupt output ($\overline{\text{INT}}$) can be connected to the interrupt logic of the microcontroller and is activated when any input state differs from its corresponding input port register state. It is used to indicate to the microcontroller that an input state has changed and the device needs to be interrogated without the microcontroller continuously polling the input register via the I²C-bus.

The internal Power-On Reset (POR) initializes the I/Os as inputs with a weak internal pull-up 100 μ A current source.

2. Features and benefits

- I²C-bus to parallel port expander
- 1 MHz I²C-bus interface (Fast-mode Plus I²C-bus)
- SDA with 30 mA sink capability for 4000 pF buses
- Operating supply voltage 2.3 V to 5.5 V with 5.5 V tolerant I/Os held to V_{DD} with 100 μ A current source
- 8-bit remote I/O pins that default to inputs at power-up
- Latched outputs with 25 mA sink capability for directly driving LEDs
- Total package sink capability of 200 mA



- Active LOW open-drain interrupt output
- Sixty-four programmable slave addresses using three address pins (PCA9674A - sixty-two)
- Readable device ID (manufacturer, device type, and revision)
- Software Reset pushes the device back to Power-On Reset state
- Low standby current (4.5 μ A typical)
- -40 °C to +85 °C operation
- ESD protection exceeds 2000 V HBM per JESD22-A114 and 1000 V CDM per JESD22-C101
- Latch-up testing is done to JEDEC standard JESD78 which exceeds 100 mA
- Packages offered: SO16, TSSOP16, HVQFN16

3. Applications

- LED signs and displays
- Servers
- Key pads
- Industrial control
- Medical equipment
- PLCs
- Cellular telephones
- Mobile devices
- Gaming machines
- Instrumentation and test measurement

4. Ordering information

Table 1. Ordering information

| Type number | Topside mark | Package | | |
|-------------|--------------|---------|--|----------|
| | | Name | Description | Version |
| PCA9674BS | 674 | HVQFN16 | plastic thermal enhanced very thin quad flat package; no leads; 16 terminals; body 3 × 3 × 0.85 mm | SOT758-1 |
| PCA9674ABS | 74A | | | |
| PCA9674D | PCA9674D | SO16 | plastic small outline package; 16 leads; body width 7.5 mm | SOT162-1 |
| PCA9674AD | PCA9674AD | | | |
| PCA9674PW | PCA9674 | TSSOP16 | plastic thin shrink small outline package; 16 leads; body width 4.4 mm | SOT403-1 |
| PCA9674APW | 9674A | | | |

4.1 Ordering options

Table 2. Ordering options

| Type number | Orderable part number | Package | Packing method | Minimum order quantity | Temperature range |
|-------------|-----------------------|---------|---|------------------------|-------------------------------------|
| PCA9674BS | PCA9674BS,118 | HVQFN16 | Reel 13" Q1/T1 *standard mark SMD | 6000 | T _{amb} = -40 °C to +85 °C |
| PCA9674ABS | PCA9674ABS,118 | HVQFN16 | Reel 13" Q1/T1 *standard mark SMD | 6000 | T _{amb} = -40 °C to +85 °C |
| PCA9674D | PCA9674D,512 | SO16 | Standard marking * tube dry pack | 1920 | T _{amb} = -40 °C to +85 °C |
| | PCA9674D,518 | SO16 | Reel 13" Q1/T1 *standard mark SMD dry pack | 1000 | T _{amb} = -40 °C to +85 °C |
| PCA9674AD | PCA9674AD,512 | SO16 | Standard marking * tube dry pack | 1920 | T _{amb} = -40 °C to +85 °C |
| | PCA9674AD,518 | SO16 | Reel 13" Q1/T1 *standard mark SMD dry pack | 1000 | T _{amb} = -40 °C to +85 °C |
| PCA9674PW | PCA9674PW,112 | TSSOP16 | Standard marking * IC's tube - DSC bulk pack | 2400 | T _{amb} = -40 °C to +85 °C |
| | PCA9674PW,118 | TSSOP16 | Reel 13" Q1/T1 *standard mark SMD | 2500 | T _{amb} = -40 °C to +85 °C |
| PCA9674APW | PCA9674APW,112 | TSSOP16 | Standard marking * IC's tube - DSC bulk pack | 2400 | T _{amb} = -40 °C to +85 °C |
| | PCA9674APW,118 | TSSOP16 | Reel 13" Q1/T1 *standard mark SMD | 2500 | T _{amb} = -40 °C to +85 °C |

5. Block diagram

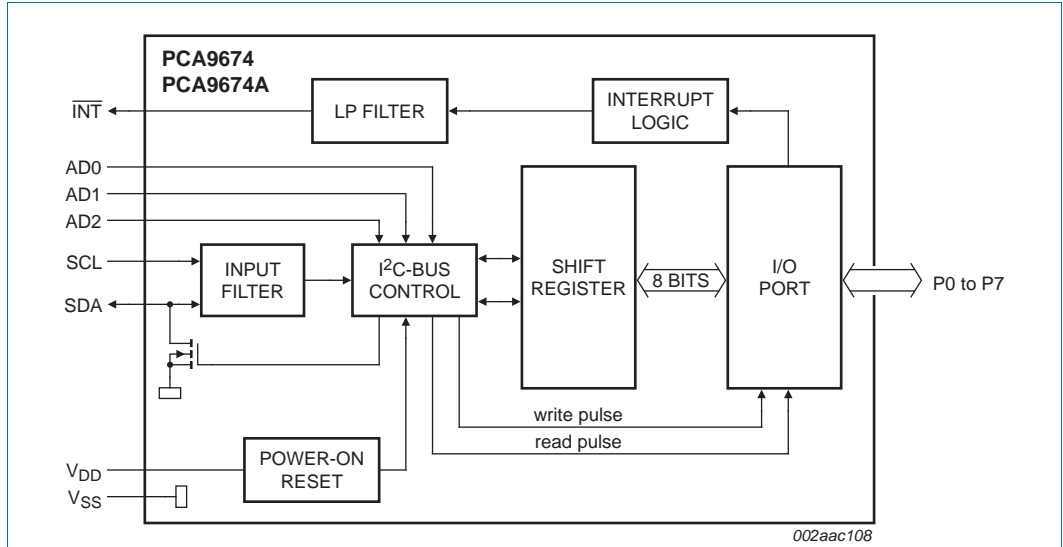


Fig 1. Block diagram of PCA9674; PCA9674A

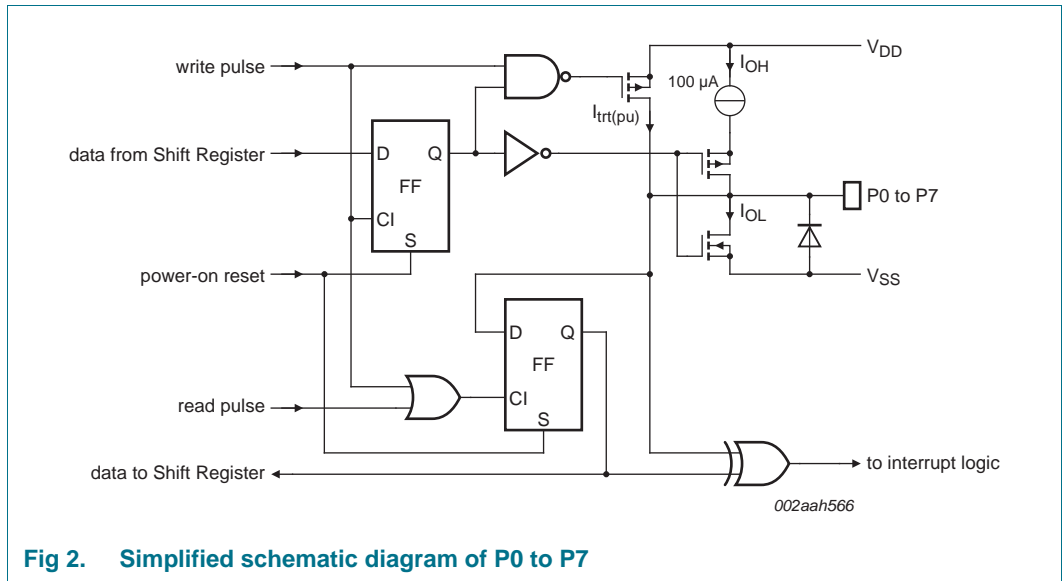


Fig 2. Simplified schematic diagram of P0 to P7

6. Pinning information

6.1 Pinning

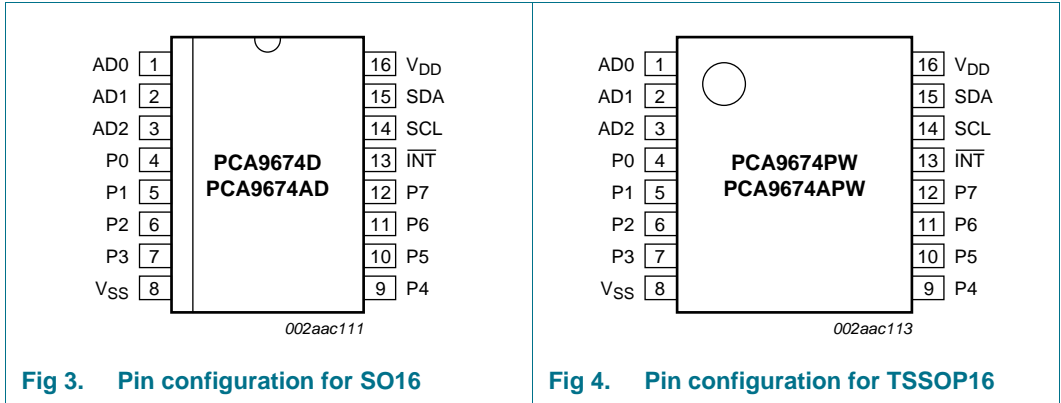


Fig 3. Pin configuration for SO16

Fig 4. Pin configuration for TSSOP16

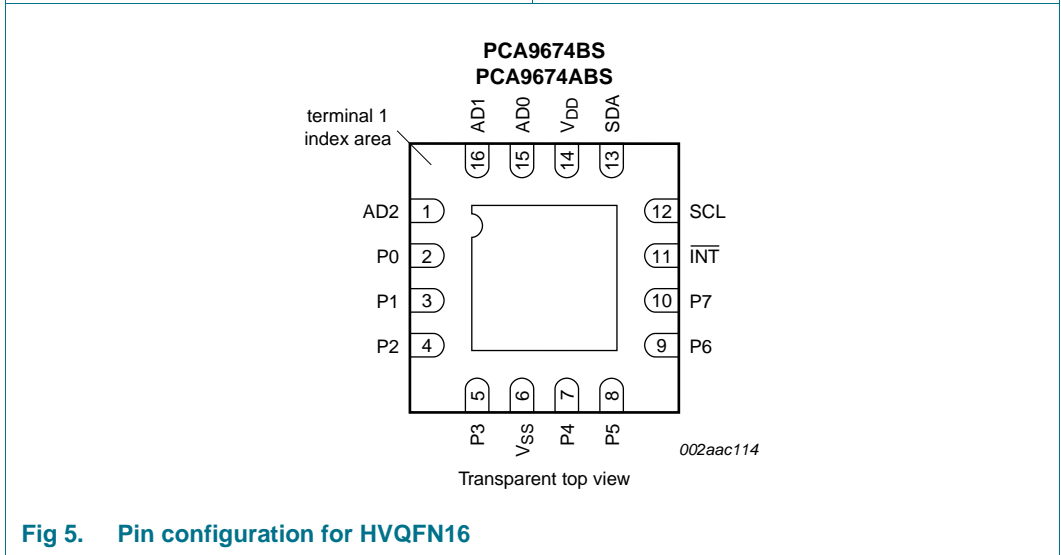


Fig 5. Pin configuration for HVQFN16

6.2 Pin description

Table 3. Pin description

| Symbol | Pin | | Description |
|-----------------|---------------|---------|---------------------------|
| | SO16, TSSOP16 | HVQFN16 | |
| AD0 | 1 | 15 | address input 0 |
| AD1 | 2 | 16 | address input 1 |
| AD2 | 3 | 1 | address input 2 |
| P0 | 4 | 2 | quasi-bidirectional I/O 0 |
| P1 | 5 | 3 | quasi-bidirectional I/O 1 |
| P2 | 6 | 4 | quasi-bidirectional I/O 2 |
| P3 | 7 | 5 | quasi-bidirectional I/O 3 |
| V _{SS} | 8 | 6 | supply ground |
| P4 | 9 | 7 | quasi-bidirectional I/O 4 |

Table 3. Pin description ...continued

| Symbol | Pin | | Description |
|-----------------|---------------|---------|-------------------------------|
| | SO16, TSSOP16 | HVQFN16 | |
| P5 | 10 | 8 | quasi-bidirectional I/O 5 |
| P6 | 11 | 9 | quasi-bidirectional I/O 6 |
| P7 | 12 | 10 | quasi-bidirectional I/O 7 |
| INT | 13 | 11 | interrupt output (active LOW) |
| SCL | 14 | 12 | serial clock line |
| SDA | 15 | 13 | serial data line |
| V _{DD} | 16 | 14 | supply voltage |

[1] HVQFN16 package die supply ground is connected to both the V_{SS} pin and the exposed center pad. The V_{SS} pin must be connected to supply ground for proper device operation. For enhanced thermal, electrical, and board-level performance, the exposed pad needs to be soldered to the board using a corresponding thermal pad on the board, and for proper heat conduction through the board thermal vias need to be incorporated in the PCB in the thermal pad region.

7. Functional description

Refer to [Figure 1 “Block diagram of PCA9674; PCA9674A”](#).

7.1 Device address

Following a START condition, the bus master must send the address of the slave it is accessing and the operation it wants to perform (read or write). The address format of the PCA9674/PCA9674A is shown in [Figure 6](#). Slave address pins AD2, AD1, and AD0 are used to choose 1 of 64 slave addresses. These devices can monitor the change in SDA or SCL in addition to the static levels of V_{DD} or V_{SS} to decode four states allowing a larger address range. To conserve power, no internal pull-up resistors are incorporated on AD2, AD1 or AD0 so they must be externally connected to V_{DD}, V_{SS} directly or through resistors, or directly to SCL or SDA. The address values depending on AD2, AD1 and AD0 can be found in [Table 4 “PCA9674 address map”](#) and [Table 5 “PCA9674A address map”](#).

Remark: When using the PCA9674A, the General Call address (0000 0000b) and the Device ID address (1111 100Xb) are reserved and cannot be used as device address. Failure to follow this requirement will cause the PCA9674A not to acknowledge.

Remark: When using the PCA9674 or the PCA9674A, reserved I²C-bus addresses must be used with caution since they can interfere with:

- “reserved for future use” I²C-bus addresses (0000 011, 1111 101, 1111 110, 1111 111)
- slave devices that use the 10-bit addressing scheme (1111 0xx)
- High speed mode (Hs-mode) master code (0000 1xx)

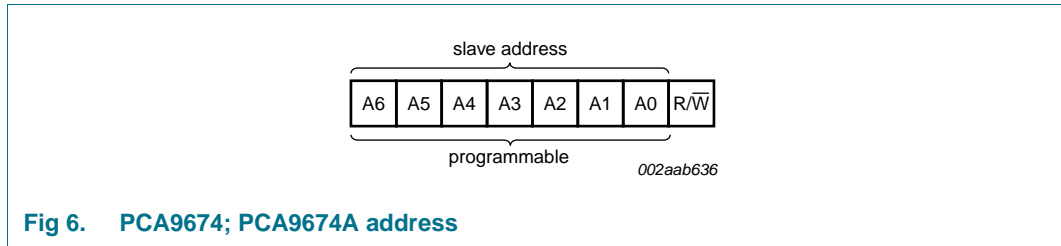


Fig 6. PCA9674; PCA9674A address

The last bit of the first byte defines the operation to be performed. When set to logic 1 a read is selected, while a logic 0 selects a write operation.

When AD2, AD1 and AD0 are held to V_{DD} or V_{SS}, the same address as the PCF8574 or PCF8574A or the newer PCA8574 or PCA8574A is applied.

7.1.1 Address maps

The PCA9674 and PCA9674A are functionally the same, but have non-overlapping address ranges. This allows 64 of the PCA9674 devices and 62 of the PCA9674A devices to be on the same I²C-bus without address conflict.

Table 4. PCA9674 address map

| Pin connectivity | | | Address of PCA9674 | | | | | | | | Address byte value | | 7-bit hexadecimal address without R/W |
|------------------|-----------------|-----------------|--------------------|----|----|----|----|----|----|-----|--------------------|------|---------------------------------------|
| AD2 | AD1 | AD0 | A6 | A5 | A4 | A3 | A2 | A1 | A0 | R/W | Write | Read | |
| V _{SS} | SCL | V _{SS} | 0 | 0 | 1 | 0 | 0 | 0 | 0 | - | 20h | 21h | 10h |
| V _{SS} | SCL | V _{DD} | 0 | 0 | 1 | 0 | 0 | 0 | 1 | - | 22h | 23h | 11h |
| V _{SS} | SDA | V _{SS} | 0 | 0 | 1 | 0 | 0 | 1 | 0 | - | 24h | 25h | 12h |
| V _{SS} | SDA | V _{DD} | 0 | 0 | 1 | 0 | 0 | 1 | 1 | - | 26h | 27h | 13h |
| V _{DD} | SCL | V _{SS} | 0 | 0 | 1 | 0 | 1 | 0 | 0 | - | 28h | 29h | 14h |
| V _{DD} | SCL | V _{DD} | 0 | 0 | 1 | 0 | 1 | 0 | 1 | - | 2Ah | 2Bh | 15h |
| V _{DD} | SDA | V _{SS} | 0 | 0 | 1 | 0 | 1 | 1 | 0 | - | 2Ch | 2Dh | 16h |
| V _{DD} | SDA | V _{DD} | 0 | 0 | 1 | 0 | 1 | 1 | 1 | - | 2Eh | 2Fh | 17h |
| V _{SS} | SCL | SCL | 0 | 0 | 1 | 1 | 0 | 0 | 0 | - | 30h | 31h | 18h |
| V _{SS} | SCL | SDA | 0 | 0 | 1 | 1 | 0 | 0 | 1 | - | 32h | 33h | 19h |
| V _{SS} | SDA | SCL | 0 | 0 | 1 | 1 | 0 | 1 | 0 | - | 34h | 35h | 1Ah |
| V _{SS} | SDA | SDA | 0 | 0 | 1 | 1 | 0 | 1 | 1 | - | 36h | 37h | 1Bh |
| V _{DD} | SCL | SCL | 0 | 0 | 1 | 1 | 1 | 0 | 0 | - | 38h | 39h | 1Ch |
| V _{DD} | SCL | SDA | 0 | 0 | 1 | 1 | 1 | 0 | 1 | - | 3Ah | 3Bh | 1Dh |
| V _{DD} | SDA | SCL | 0 | 0 | 1 | 1 | 1 | 1 | 0 | - | 3Ch | 3Dh | 1Eh |
| V _{DD} | SDA | SDA | 0 | 0 | 1 | 1 | 1 | 1 | 1 | - | 3Eh | 3Fh | 1Fh |
| V _{SS} | V _{SS} | V _{SS} | 0 | 1 | 0 | 0 | 0 | 0 | 0 | - | 40h | 41h | 20h |
| V _{SS} | V _{SS} | V _{DD} | 0 | 1 | 0 | 0 | 0 | 0 | 1 | - | 42h | 43h | 21h |
| V _{SS} | V _{DD} | V _{SS} | 0 | 1 | 0 | 0 | 0 | 1 | 0 | - | 44h | 45h | 22h |
| V _{SS} | V _{DD} | V _{DD} | 0 | 1 | 0 | 0 | 0 | 1 | 1 | - | 46h | 47h | 23h |
| V _{DD} | V _{SS} | V _{SS} | 0 | 1 | 0 | 0 | 1 | 0 | 0 | - | 48h | 49h | 24h |
| V _{DD} | V _{SS} | V _{DD} | 0 | 1 | 0 | 0 | 1 | 0 | 1 | - | 4Ah | 4Bh | 25h |
| V _{DD} | V _{DD} | V _{SS} | 0 | 1 | 0 | 0 | 1 | 1 | 0 | - | 4Ch | 4Dh | 26h |

Table 4. PCA9674 address map ...continued

| Pin connectivity | | | Address of PCA9674 | | | | | | | | Address byte value | | 7-bit hexadecimal address without R/W |
|------------------|-----------------|-----------------|--------------------|----|----|----|----|----|----|-----|--------------------|------|---------------------------------------|
| AD2 | AD1 | AD0 | A6 | A5 | A4 | A3 | A2 | A1 | A0 | R/W | Write | Read | |
| V _{DD} | V _{DD} | V _{DD} | 0 | 1 | 0 | 0 | 1 | 1 | 1 | - | 4Eh | 4Fh | 27h |
| V _{SS} | V _{SS} | SCL | 0 | 1 | 0 | 1 | 0 | 0 | 0 | - | 50h | 51h | 28h |
| V _{SS} | V _{SS} | SDA | 0 | 1 | 0 | 1 | 0 | 0 | 1 | - | 52h | 53h | 29h |
| V _{SS} | V _{DD} | SCL | 0 | 1 | 0 | 1 | 0 | 1 | 0 | - | 54h | 55h | 2Ah |
| V _{SS} | V _{DD} | SDA | 0 | 1 | 0 | 1 | 0 | 1 | 1 | - | 56h | 57h | 2Bh |
| V _{DD} | V _{SS} | SCL | 0 | 1 | 0 | 1 | 1 | 0 | 0 | - | 58h | 59h | 2Ch |
| V _{DD} | V _{SS} | SDA | 0 | 1 | 0 | 1 | 1 | 0 | 1 | - | 5Ah | 5Bh | 2Dh |
| V _{DD} | V _{DD} | SCL | 0 | 1 | 0 | 1 | 1 | 1 | 0 | - | 5Ch | 5Dh | 2Eh |
| V _{DD} | V _{DD} | SDA | 0 | 1 | 0 | 1 | 1 | 1 | 1 | - | 5Eh | 5Fh | 2Fh |
| SCL | SCL | V _{SS} | 1 | 0 | 1 | 0 | 0 | 0 | 0 | - | A0h | A1h | 50h |
| SCL | SCL | V _{DD} | 1 | 0 | 1 | 0 | 0 | 0 | 1 | - | A2h | A3h | 51h |
| SCL | SDA | V _{SS} | 1 | 0 | 1 | 0 | 0 | 1 | 0 | - | A4h | A5h | 52h |
| SCL | SDA | V _{DD} | 1 | 0 | 1 | 0 | 0 | 1 | 1 | - | A6h | A7h | 53h |
| SDA | SCL | V _{SS} | 1 | 0 | 1 | 0 | 1 | 0 | 0 | - | A8h | A9h | 54h |
| SDA | SCL | V _{DD} | 1 | 0 | 1 | 0 | 1 | 0 | 1 | - | AAh | ABh | 55h |
| SDA | SDA | V _{SS} | 1 | 0 | 1 | 0 | 1 | 1 | 0 | - | ACh | ADh | 56h |
| SDA | SDA | V _{DD} | 1 | 0 | 1 | 0 | 1 | 1 | 1 | - | A Eh | A Fh | 57h |
| SCL | SCL | SCL | 1 | 0 | 1 | 1 | 0 | 0 | 0 | - | B0h | B1h | 58h |
| SCL | SCL | SDA | 1 | 0 | 1 | 1 | 0 | 0 | 1 | - | B2h | B3h | 59h |
| SCL | SDA | SCL | 1 | 0 | 1 | 1 | 0 | 1 | 0 | - | B4h | B5h | 5Ah |
| SCL | SDA | SDA | 1 | 0 | 1 | 1 | 0 | 1 | 1 | - | B6h | B7h | 5Bh |
| SDA | SCL | SCL | 1 | 0 | 1 | 1 | 1 | 0 | 0 | - | B8h | B9h | 5Ch |
| SDA | SCL | SDA | 1 | 0 | 1 | 1 | 1 | 0 | 1 | - | BAh | BBh | 5Dh |
| SDA | SDA | SCL | 1 | 0 | 1 | 1 | 1 | 1 | 0 | - | BCh | BDh | 5Eh |
| SDA | SDA | SDA | 1 | 0 | 1 | 1 | 1 | 1 | 1 | - | BEh | BFh | 5Fh |
| SCL | V _{SS} | V _{SS} | 1 | 1 | 0 | 0 | 0 | 0 | 0 | - | C0h | C1h | 60h |
| SCL | V _{SS} | V _{DD} | 1 | 1 | 0 | 0 | 0 | 0 | 1 | - | C2h | C3h | 61h |
| SCL | V _{DD} | V _{SS} | 1 | 1 | 0 | 0 | 0 | 1 | 0 | - | C4h | C5h | 62h |
| SCL | V _{DD} | V _{DD} | 1 | 1 | 0 | 0 | 0 | 1 | 1 | - | C6h | C7h | 63h |
| SDA | V _{SS} | V _{SS} | 1 | 1 | 0 | 0 | 1 | 0 | 0 | - | C8h | C9h | 64h |
| SDA | V _{SS} | V _{DD} | 1 | 1 | 0 | 0 | 1 | 0 | 1 | - | CAh | CBh | 65h |
| SDA | V _{DD} | V _{SS} | 1 | 1 | 0 | 0 | 1 | 1 | 0 | - | CCh | CDh | 66h |
| SDA | V _{DD} | V _{DD} | 1 | 1 | 0 | 0 | 1 | 1 | 1 | - | CEh | CFh | 67h |
| SCL | V _{SS} | SCL | 1 | 1 | 1 | 0 | 0 | 0 | 0 | - | E0h | E1h | 70h |
| SCL | V _{SS} | SDA | 1 | 1 | 1 | 0 | 0 | 0 | 1 | - | E2h | E3h | 71h |
| SCL | V _{DD} | SCL | 1 | 1 | 1 | 0 | 0 | 1 | 0 | - | E4h | E5h | 72h |
| SCL | V _{DD} | SDA | 1 | 1 | 1 | 0 | 0 | 1 | 1 | - | E6h | E7h | 73h |
| SDA | V _{SS} | SCL | 1 | 1 | 1 | 0 | 1 | 0 | 0 | - | E8h | E9h | 74h |

Table 4. PCA9674 address map ...continued

| Pin connectivity | | | Address of PCA9674 | | | | | | | | Address byte value | | 7-bit hexadecimal address without R/W |
|------------------|-----------------|-----|--------------------|----|----|----|----|----|----|-----|--------------------|------|---------------------------------------|
| AD2 | AD1 | AD0 | A6 | A5 | A4 | A3 | A2 | A1 | A0 | R/W | Write | Read | |
| SDA | V _{SS} | SDA | 1 | 1 | 1 | 0 | 1 | 0 | 1 | - | EAh | EBh | 75h |
| SDA | V _{DD} | SCL | 1 | 1 | 1 | 0 | 1 | 1 | 0 | - | ECh | EDh | 76h |
| SDA | V _{DD} | SDA | 1 | 1 | 1 | 0 | 1 | 1 | 1 | - | Eeh | EFh | 77h |

Table 5. PCA9674A address map

| Pin connectivity | | | Address of PCA9674A | | | | | | | | Address byte value | | 7-bit hexadecimal address without R/W |
|------------------|-----------------|-----------------|---------------------|----|----|----|----|----|----|-----|--------------------|------|---------------------------------------|
| AD2 | AD1 | AD0 | A6 | A5 | A4 | A3 | A2 | A1 | A0 | R/W | Write | Read | |
| V _{SS} | SCL | V _{SS} | 0 | 0 | 0 | 1 | 0 | 0 | 0 | - | 10h | 11h | 08h |
| V _{SS} | SCL | V _{DD} | 0 | 0 | 0 | 1 | 0 | 0 | 1 | - | 12h | 13h | 09h |
| V _{SS} | SDA | V _{SS} | 0 | 0 | 0 | 1 | 0 | 1 | 0 | - | 14h | 15h | 0Ah |
| V _{SS} | SDA | V _{DD} | 0 | 0 | 0 | 1 | 0 | 1 | 1 | - | 16h | 17h | 0Bh |
| V _{DD} | SCL | V _{SS} | 0 | 0 | 0 | 1 | 1 | 0 | 0 | - | 18h | 19h | 0Ch |
| V _{DD} | SCL | V _{DD} | 0 | 0 | 0 | 1 | 1 | 0 | 1 | - | 1Ah | 1Bh | 0Dh |
| V _{DD} | SDA | V _{SS} | 0 | 0 | 0 | 1 | 1 | 1 | 0 | - | 1Ch | 1Dh | 0Eh |
| V _{DD} | SDA | V _{DD} | 0 | 0 | 0 | 1 | 1 | 1 | 1 | - | 1Eh | 1Fh | 0Fh |
| V _{SS} | SCL | SCL | 0 | 1 | 1 | 0 | 0 | 0 | 0 | - | 60h | 61h | 30h |
| V _{SS} | SCL | SDA | 0 | 1 | 1 | 0 | 0 | 0 | 1 | - | 62h | 63h | 31h |
| V _{SS} | SDA | SCL | 0 | 1 | 1 | 0 | 0 | 1 | 0 | - | 64h | 65h | 32h |
| V _{SS} | SDA | SDA | 0 | 1 | 1 | 0 | 0 | 1 | 1 | - | 66h | 67h | 33h |
| V _{DD} | SCL | SCL | 0 | 1 | 1 | 0 | 1 | 0 | 0 | - | 68h | 69h | 34h |
| V _{DD} | SCL | SDA | 0 | 1 | 1 | 0 | 1 | 0 | 1 | - | 6Ah | 6Bh | 35h |
| V _{DD} | SDA | SCL | 0 | 1 | 1 | 0 | 1 | 1 | 0 | - | 6Ch | 6Dh | 36h |
| V _{DD} | SDA | SDA | 0 | 1 | 1 | 0 | 1 | 1 | 1 | - | 6Eh | 6Fh | 37h |
| V _{SS} | V _{SS} | V _{SS} | 0 | 1 | 1 | 1 | 0 | 0 | 0 | - | 70h | 71h | 38h |
| V _{SS} | V _{SS} | V _{DD} | 0 | 1 | 1 | 1 | 0 | 0 | 1 | - | 72h | 73h | 39h |
| V _{SS} | V _{DD} | V _{SS} | 0 | 1 | 1 | 1 | 0 | 1 | 0 | - | 74h | 75h | 3Ah |
| V _{SS} | V _{DD} | V _{DD} | 0 | 1 | 1 | 1 | 0 | 1 | 1 | - | 76h | 77h | 3Bh |
| V _{DD} | V _{SS} | V _{SS} | 0 | 1 | 1 | 1 | 1 | 0 | 0 | - | 78h | 79h | 3Ch |
| V _{DD} | V _{SS} | V _{DD} | 0 | 1 | 1 | 1 | 1 | 0 | 1 | - | 7Ah | 7Bh | 3Dh |
| V _{DD} | V _{DD} | V _{SS} | 0 | 1 | 1 | 1 | 1 | 1 | 0 | - | 7Ch | 7Dh | 3Eh |
| V _{DD} | V _{DD} | V _{DD} | 0 | 1 | 1 | 1 | 1 | 1 | 1 | - | 7Eh | 7Fh | 3Fh |
| V _{SS} | V _{SS} | SCL | 1 | 0 | 0 | 0 | 0 | 0 | 0 | - | 80h | 81h | 40h |
| V _{SS} | V _{SS} | SDA | 1 | 0 | 0 | 0 | 0 | 0 | 1 | - | 82h | 83h | 41h |
| V _{SS} | V _{DD} | SCL | 1 | 0 | 0 | 0 | 0 | 1 | 0 | - | 84h | 85h | 42h |
| V _{SS} | V _{DD} | SDA | 1 | 0 | 0 | 0 | 0 | 1 | 1 | - | 86h | 87h | 43h |
| V _{DD} | V _{SS} | SCL | 1 | 0 | 0 | 0 | 1 | 0 | 0 | - | 88h | 89h | 44h |
| V _{DD} | V _{SS} | SDA | 1 | 0 | 0 | 0 | 1 | 0 | 1 | - | 8Ah | 8Bh | 45h |

Table 5. PCA9674A address map ...continued

| Pin connectivity | | | Address of PCA9674A | | | | | | | | Address byte value | | 7-bit hexadecimal address without R/W |
|------------------|-----------------|-----------------|---------------------|----|----|----|----|----|----|-----|--------------------|--------------------|---------------------------------------|
| AD2 | AD1 | AD0 | A6 | A5 | A4 | A3 | A2 | A1 | A0 | R/W | Write | Read | |
| V _{DD} | V _{DD} | SCL | 1 | 0 | 0 | 0 | 1 | 1 | 0 | - | 8Ch | 8Dh | 46h |
| V _{DD} | V _{DD} | SDA | 1 | 0 | 0 | 0 | 1 | 1 | 1 | - | 8Eh | 8Fh | 47h |
| SCL | SCL | V _{SS} | 1 | 0 | 0 | 1 | 0 | 0 | 0 | - | 90h | 91h | 48h |
| SCL | SCL | V _{DD} | 1 | 0 | 0 | 1 | 0 | 0 | 1 | - | 92h | 93h | 49h |
| SCL | SDA | V _{SS} | 1 | 0 | 0 | 1 | 0 | 1 | 0 | - | 94h | 95h | 4Ah |
| SCL | SDA | V _{DD} | 1 | 0 | 0 | 1 | 0 | 1 | 1 | - | 96h | 97h | 4Bh |
| SDA | SCL | V _{SS} | 1 | 0 | 0 | 1 | 1 | 0 | 0 | - | 98h | 99h | 4Ch |
| SDA | SCL | V _{DD} | 1 | 0 | 0 | 1 | 1 | 0 | 1 | - | 9Ah | 9Bh | 4Dh |
| SDA | SDA | V _{SS} | 1 | 0 | 0 | 1 | 1 | 1 | 0 | - | 9Ch | 9Dh | 4Eh |
| SDA | SDA | V _{DD} | 1 | 0 | 0 | 1 | 1 | 1 | 1 | - | 9Eh | 9Fh | 4Fh |
| SCL | SCL | SCL | 1 | 1 | 0 | 1 | 0 | 0 | 0 | - | D0h | D1h | 68h |
| SCL | SCL | SDA | 1 | 1 | 0 | 1 | 0 | 0 | 1 | - | D2h | D3h | 69h |
| SCL | SDA | SCL | 1 | 1 | 0 | 1 | 0 | 1 | 0 | - | D4h | D5h | 6Ah |
| SCL | SDA | SDA | 1 | 1 | 0 | 1 | 0 | 1 | 1 | - | D6h | D7h | 6Bh |
| SDA | SCL | SCL | 1 | 1 | 0 | 1 | 1 | 0 | 0 | - | D8h | D9h | 6Ch |
| SDA | SCL | SDA | 1 | 1 | 0 | 1 | 1 | 0 | 1 | - | DAh | DBh | 6Dh |
| SDA | SDA | SCL | 1 | 1 | 0 | 1 | 1 | 1 | 0 | - | DCh | DDh | 6Eh |
| SDA | SDA | SDA | 1 | 1 | 0 | 1 | 1 | 1 | 1 | - | DEh | DFh | 6Fh |
| SCL | V _{SS} | V _{SS} | 1 | 1 | 1 | 1 | 0 | 0 | 0 | - | F0h | F1h | 78h |
| SCL | V _{SS} | V _{DD} | 1 | 1 | 1 | 1 | 0 | 0 | 1 | - | F2h | F3h | 79h |
| SCL | V _{DD} | V _{SS} | 1 | 1 | 1 | 1 | 0 | 1 | 0 | - | F4h | F5h | 7Ah |
| SCL | V _{DD} | V _{DD} | 1 | 1 | 1 | 1 | 0 | 1 | 1 | - | F6h | F7h | 7Bh |
| SDA | V _{SS} | V _{SS} | 1 | 1 | 1 | 1 | 1 | 0 | 0 | - | F8h ^[1] | F9h ^[1] | 7Ch ^[1] |
| SDA | V _{SS} | V _{DD} | 1 | 1 | 1 | 1 | 1 | 0 | 1 | - | FAh | FBh | 7Dh |
| SDA | V _{DD} | V _{SS} | 1 | 1 | 1 | 1 | 1 | 1 | 0 | - | FCh | FDh | 7Eh |
| SDA | V _{DD} | V _{DD} | 1 | 1 | 1 | 1 | 1 | 1 | 1 | - | FEh | FFh | 7Fh |
| SCL | V _{SS} | SCL | 0 | 0 | 0 | 0 | 0 | 0 | 0 | - | 00h ^[1] | 01h ^[1] | 00h ^[1] |
| SCL | V _{SS} | SDA | 0 | 0 | 0 | 0 | 0 | 0 | 1 | - | 02h | 03h | 01h |
| SCL | V _{DD} | SCL | 0 | 0 | 0 | 0 | 0 | 1 | 0 | - | 04h | 05h | 02h |
| SCL | V _{DD} | SDA | 0 | 0 | 0 | 0 | 0 | 1 | 1 | - | 06h | 07h | 03h |
| SDA | V _{SS} | SCL | 0 | 0 | 0 | 0 | 1 | 0 | 0 | - | 08h | 09h | 04h |
| SDA | V _{SS} | SDA | 0 | 0 | 0 | 0 | 1 | 0 | 1 | - | 0Ah | 0Bh | 05h |
| SDA | V _{DD} | SCL | 0 | 0 | 0 | 0 | 1 | 1 | 0 | - | 0Ch | 0Dh | 06h |
| SDA | V _{DD} | SDA | 0 | 0 | 0 | 0 | 1 | 1 | 1 | - | 0Eh | 0Fh | 07h |

[1] The PCA9674A does not acknowledge when AD2, AD1, AD0 follows this configuration.

7.2 Software Reset Call, and device ID addresses

Two other different addresses can be sent to the PCA9674; PCA9674A.

- General Call address: allows to reset the PCA9674; PCA9674A through the I²C-bus upon reception of the right I²C-bus sequence. See [Section 7.2.1 “Software Reset”](#) for more information.
- Device ID address: allows to read ID information from the device (manufacturer, part identification, revision). See [Section 7.2.2 “Device ID \(PCA9674; PCA9674A ID field\)”](#) for more information.

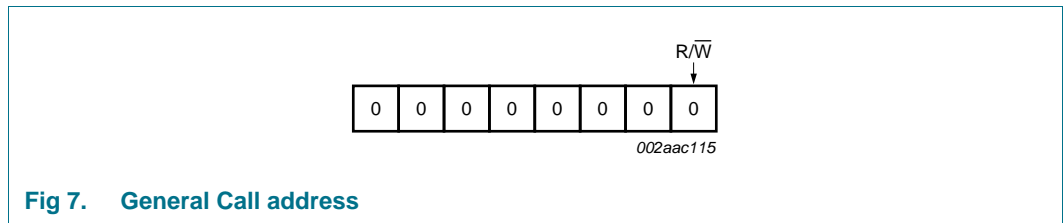


Fig 7. General Call address

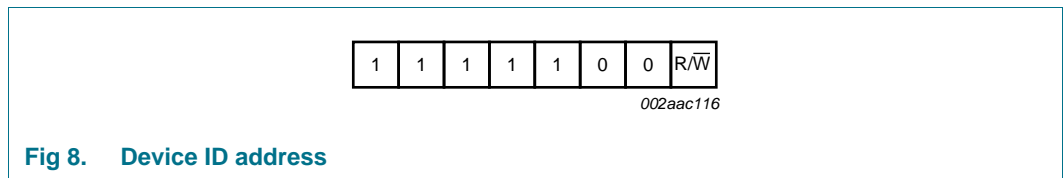


Fig 8. Device ID address

7.2.1 Software Reset

The Software Reset Call allows all the devices in the I²C-bus to be reset to the power-up state value through a specific formatted I²C-bus command. To be performed correctly, it implies that the I²C-bus is functional and that there is no device hanging the bus.

The Software Reset sequence is defined as following:

1. A START command is sent by the I²C-bus master.
2. The reserved General Call I²C-bus address ‘0000 000’ with the R/W bit set to 0 (write) is sent by the I²C-bus master.
3. The PCA9674; PCA9674A device(s) acknowledge(s) after seeing the General Call address ‘0000 0000’ (00h) only. If the R/W bit is set to 1 (read), no acknowledge is returned to the I²C-bus master.
4. Once the General Call address has been sent and acknowledged, the master sends 1 byte. The value of the byte must be equal to 06h.
 - a. The PCA9674; PCA9674A acknowledges this value only. If the byte is not equal to 06h, the PCA9674; PCA9674A does not acknowledge it.

If more than 1 byte of data is sent, the PCA9674; PCA9674A does not acknowledge any more.

5. Once the right byte has been sent and correctly acknowledged, the master sends a STOP command to end the Software Reset sequence: the PCA9674; PCA9674A then resets to the default value (power-up value) and is ready to be addressed again within the specified bus free time. If the master sends a Repeated START instead, no reset is performed.

The I²C-bus master must interpret a non-acknowledge from the PCA9674; PCA9674A (at any time) as a 'Software Reset Abort'. The PCA9674; PCA9674A does not initiate a reset of its registers.

The unique sequence that initiates a Software Reset is described in [Figure 9](#).

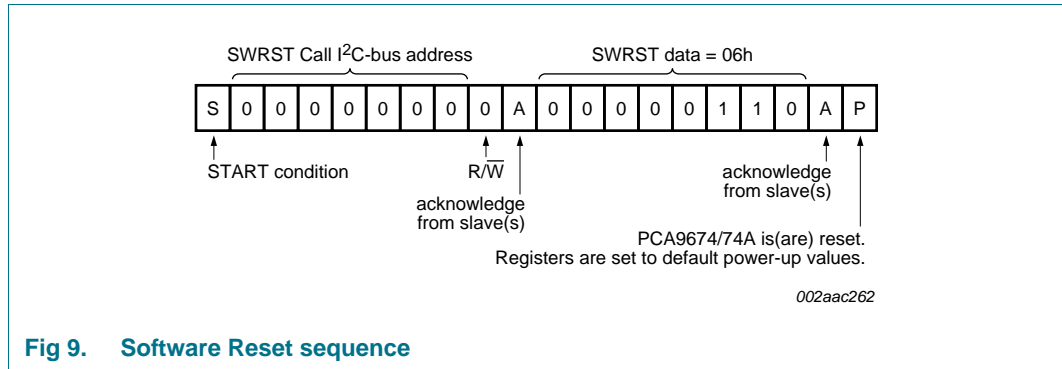


Fig 9. Software Reset sequence

Simple code for Software Reset:

```
<S> <00h> <ACK> <06h> <ACK> <P>
```

7.2.2 Device ID (PCA9674; PCA9674A ID field)

The Device ID field is a 3-byte read-only (24 bits) word giving the following information:

- 12 bits with the manufacturer name, unique per manufacturer (for example, NXP).
- 9 bits with the part identification, assigned by manufacturer.
- 3 bits with the die revision, assigned by manufacturer (for example, Rev X).

The Device ID is read-only, hardwired in the device and can be accessed as follows:

1. START command
2. The master sends the Reserved Device ID I²C-bus address '1111 100' with the R/W bit set to 0 (write).
3. The master sends the I²C-bus slave address of the slave device it needs to identify. The LSB is a 'Don't care' value. Only one device must acknowledge this byte (the one that has the I²C-bus slave address).
4. The master sends a Re-START command.

Remark: A STOP command followed by a START command will reset the slave state machine and the Device ID read cannot be performed.

Remark: A STOP command or a Re-START command followed by an access to another slave device will reset the slave state machine and the Device ID read cannot be performed.
5. The master sends the Reserved Device ID I²C-bus address '1111 100' with the R/W bit set to 1 (read).
6. The device ID read can be done, starting with the 12 manufacturer bits (first byte + 4 MSB of the second byte), followed by the 9 part identification bits and then the 3 die revision bits (3 LSB of the third byte).
7. The master ends the reading sequence by NACKing the last byte, thus resetting the slave device state machine and allowing the master to send the STOP command.

Remark: The reading of the Device ID can be stopped anytime by sending a NACK command.

Remark: If the master continues to ACK the bytes after the third byte, the PCA9674; PCA9674A rolls back to the first byte and keeps sending the Device ID sequence until a NACK has been detected.

For the PCA9674; PCA9674A, the Device ID is as shown in [Figure 10](#).

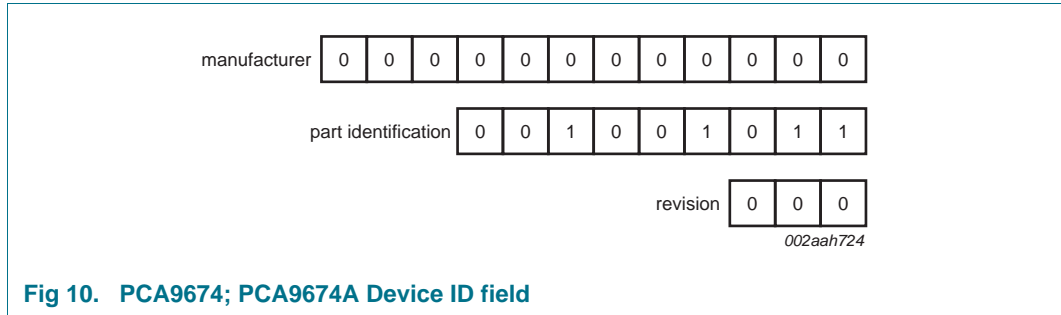
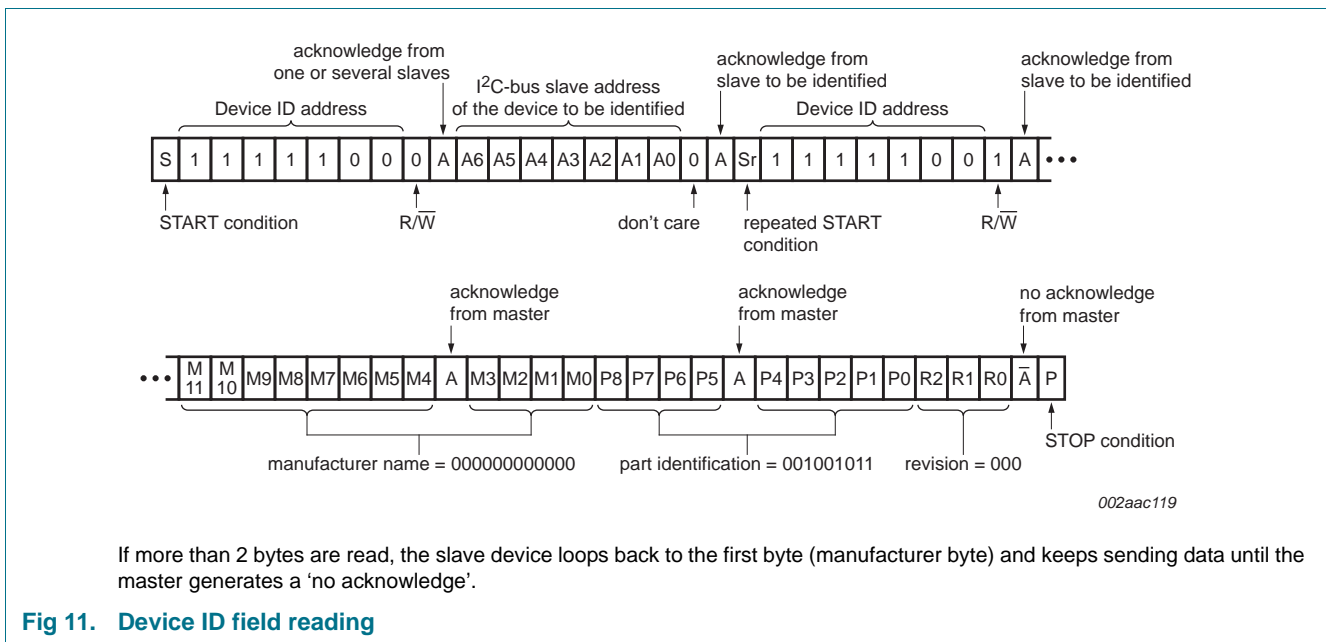


Fig 10. PCA9674; PCA9674A Device ID field



If more than 2 bytes are read, the slave device loops back to the first byte (manufacturer byte) and keeps sending data until the master generates a 'no acknowledge'.

Fig 11. Device ID field reading

Simple code for reading Device ID:

```
<S> <F8h> <ACK> <slave address> <ACK> <SR> <F8h + R> <ACK> <DATA1>
<ACK> <DATA2> <ACK> <DATA3> <NACK> <P>
```

8. I/O programming

8.1 Quasi-bidirectional I/Os

A quasi-bidirectional I/O is an input or output port without using a direction control register. Whenever the master reads the register, the value returned to master depends on the actual voltage or status of the pin. At power-on, all the ports are HIGH with a weak 100 μ A internal pull-up to V_{DD} , but can be driven LOW by an internal transistor, or an external signal. The I/O ports are entirely independent of each other, but each I/O octal is controlled by the same read or write data byte.

Advantages of the quasi-bidirectional I/O over totem pole I/O include:

- Better for driving LEDs since the p-channel (transistor to V_{DD}) is small, which saves die size and therefore cost. LED drive only requires an internal transistor to ground, while the LED is connected to V_{DD} through a current-limiting resistor. Totem pole I/O have both n-channel and p-channel transistors, which allow solid HIGH and LOW output levels without a pull-up resistor — good for logic levels.
- Simpler architecture — only a single register and the I/O can be both input and output at the same time. Totem pole I/O have a direction register that specifies the port pin direction and it is always in that configuration unless the direction is explicitly changed.
- Does not require a command byte. The simplicity of one register (no need for the pointer register or, technically, the command byte) is an advantage in some embedded systems where every byte counts because of memory or bandwidth limitations.

There is only one register to control four possibilities of the port pin: Input HIGH, input LOW, output HIGH, or output LOW.

Input HIGH: The master needs to write 1 to the register to set the port as an input mode if the device is not in the default power-on condition. The master reads the register to check the input status. If the external source pulls the port pin up to V_{DD} or drives logic 1, then the master will read the value of 1.

Input LOW: The master needs to write 1 to the register to set the port to input mode if the device is not in the default power-on condition. The master reads the register to check the input status. If the external source pulls the port pin down to V_{SS} or drives logic 0, which sinks the weak 100 μ A current source, then the master will read the value of 0.

Output HIGH: The master writes 1 to the register. There is an additional 'accelerator' or strong pull-up current when the master sets the port HIGH. The additional strong pull-up is only active during the HIGH time of the acknowledge clock cycle. This accelerator current helps the port's 100 μ A current source make a faster rising edge into a heavily loaded output, but only at the start of the acknowledge clock cycle to avoid bus contention if an external signal is pulling the port LOW to V_{SS} /driving the port with logic 0 at the same time. After the half clock cycle there is only the 100 μ A current source to hold the port HIGH.

Output LOW: The master writes 0 to the register. There is a strong current sink transistor that holds the port pin LOW. A large current may flow into the port, which could potentially damage the part if the master writes a 0 to the register and an external source is pulling the port HIGH at the same time.

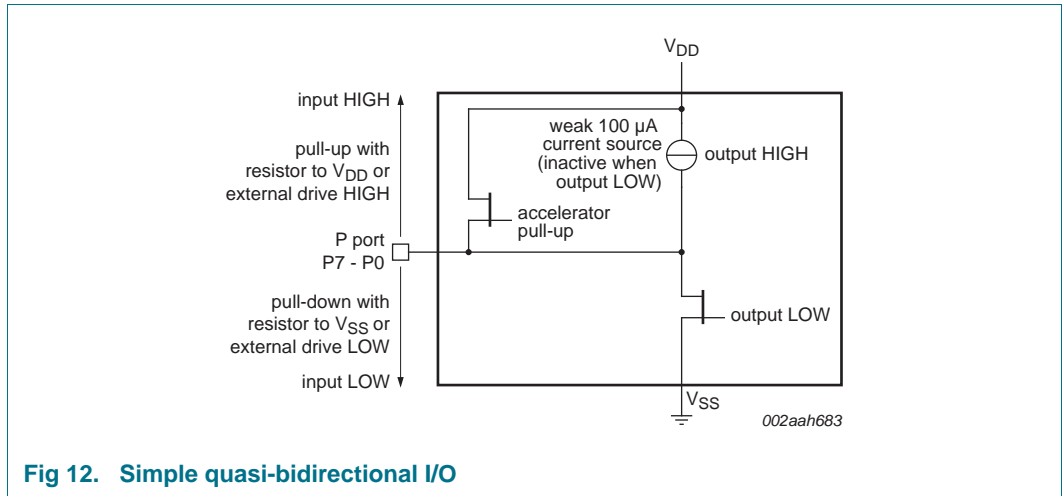


Fig 12. Simple quasi-bidirectional I/O

8.2 Writing to the port (Output mode)

The master (microcontroller) sends the START condition and slave address setting the last bit of the address byte to logic 0 for the write mode. The PCA9674/74A acknowledges and the master then sends the data byte for P7 to P0 to the port register. As the clock line goes HIGH, the 8-bit data is presented on the port lines after it has been acknowledged by the PCA9674/74A. If a LOW is written, the strong pull-down turns on and stays on. If a HIGH is written, the strong pull-up turns on for 1/2 of the clock cycle, then the line is held HIGH by the weak current source. The master can then send a STOP or ReSTART condition or continue sending data. The number of data bytes that can be sent successively is not limited and the previous data is overwritten every time a data byte has been sent and acknowledged.

Ensure a logic 1 is written for any port that is being used as an input to ensure the strong external pull-down is turned off.

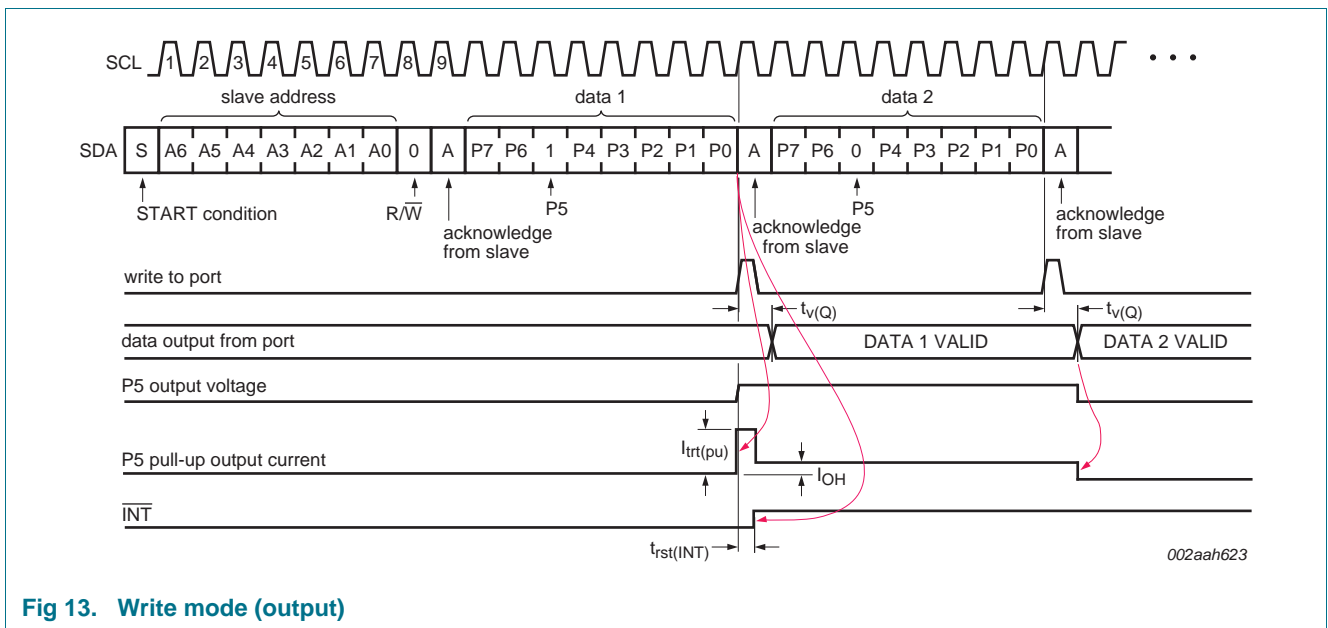


Fig 13. Write mode (output)

Simple code for Write cycle:

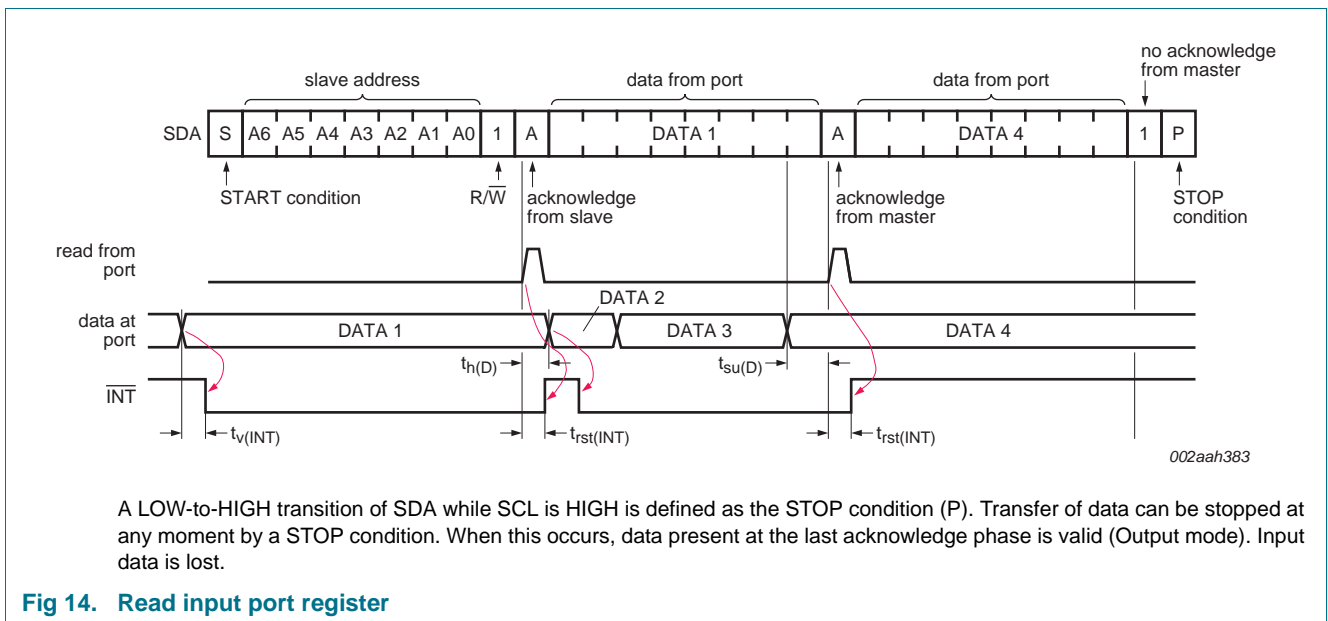
```
<S> <slave address + W> <ACK> <DATA1> <ACK> <DATA2> <ACK> <DATA1> ...
<DATA2> <ACK> <P>
```

8.3 Reading from a port (Input mode)

The port must have been previously written to logic 1, which is the condition after power-on reset or software reset. To enter the Read mode the master (microcontroller) addresses the slave device and sets the last bit of the address byte to logic 1 (address byte read). The slave will acknowledge and then send the data byte to the master. The master will NACK and then send the STOP condition or ACK and read the input register again.

The read of any pin being used as an output will indicate HIGH or LOW depending on the actual state of the pin.

If the data on the input port changes faster than the master can read, this data may be lost. The DATA 2 and DATA 3 are lost because these data did not meet the set-up time and hold time (see Figure 14).



A LOW-to-HIGH transition of SDA while SCL is HIGH is defined as the STOP condition (P). Transfer of data can be stopped at any moment by a STOP condition. When this occurs, data present at the last acknowledge phase is valid (Output mode). Input data is lost.

Fig 14. Read input port register

Simple code for Read cycle:

```
<S> <slave address + R> <ACK> <DATA in> <ACK> <DATA in> ... <NACK> <P>
```

8.4 Power-on reset

When power is applied to V_{DD}, an internal Power-On Reset (POR) holds the PCA9674; PCA9674A in a reset condition until V_{DD} has reached V_{POR}. At that point, the reset condition is released and the PCA9674; PCA9674A registers and I²C-bus/SMBus state machine will initialize to their default states of all I/O inputs with weak current source to V_{DD}. Thereafter V_{DD} must be lowered below V_{POR} and back up to the operation voltage for power-on reset cycle.

8.5 Interrupt output ($\overline{\text{INT}}$)

The PCA9674/74A provides an open-drain output ($\overline{\text{INT}}$) which can be fed to a corresponding input of the microcontroller (see [Figure 15](#)). As soon as a port input is changed, the $\overline{\text{INT}}$ will be active (LOW) and notify the microcontroller.

An interrupt is generated at any rising or falling edge of the port inputs. After time t_{v(Q)}, the signal $\overline{\text{INT}}$ is valid.

The interrupt will reset to HIGH when data on the port is changed to the original setting or data is read or written by the master.

In the Write mode, the interrupt may become de-activated (HIGH) on the rising edge of the acknowledge bit of the data byte and also on the rising edge of the write to port pulse. The interrupt will always be reset (HIGH) on the falling edge of the write to port pulse (see [Figure 13](#)).

The interrupt is reset (HIGH) in the Read mode on the rising edge of the acknowledge of slave address byte and on the rising edge of the read from port pulse (see [Figure 14](#)).

During the interrupt reset, any I/O change close to the read or write pulse may not generate an interrupt, or the interrupt will have a very short pulse. After the interrupt is reset, any change in I/Os will be detected and transmitted as an $\overline{\text{INT}}$.

At power-on reset all ports are in Input mode and the initial state of the ports is HIGH, therefore, for any port pin that is pulled LOW or driven LOW by external source, the interrupt output will be active (output LOW).

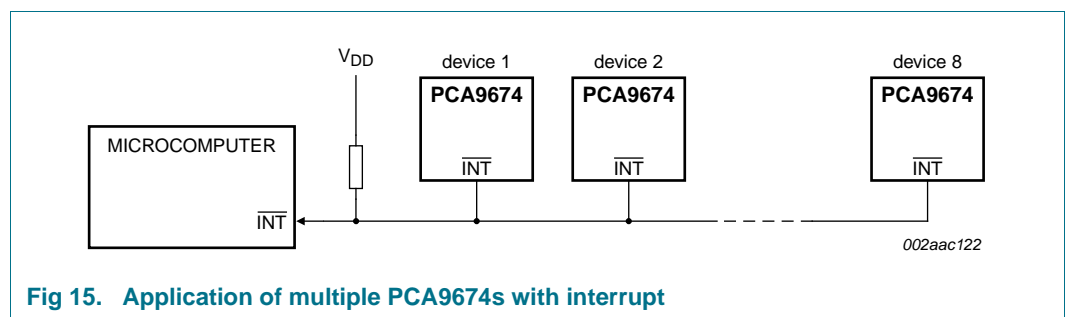


Fig 15. Application of multiple PCA9674s with interrupt

9. Characteristics of the I²C-bus

The I²C-bus is for 2-way, 2-line communication between different ICs or modules. The two lines are a serial data line (SDA) and a serial clock line (SCL). Both lines must be connected to a positive supply via a pull-up resistor when connected to the output stages of a device. Data transfer may be initiated only when the bus is not busy.

9.1 Bit transfer

One data bit is transferred during each clock pulse. The data on the SDA line must remain stable during the HIGH period of the clock pulse as changes in the data line at this time will be interpreted as control signals (see [Figure 16](#)).

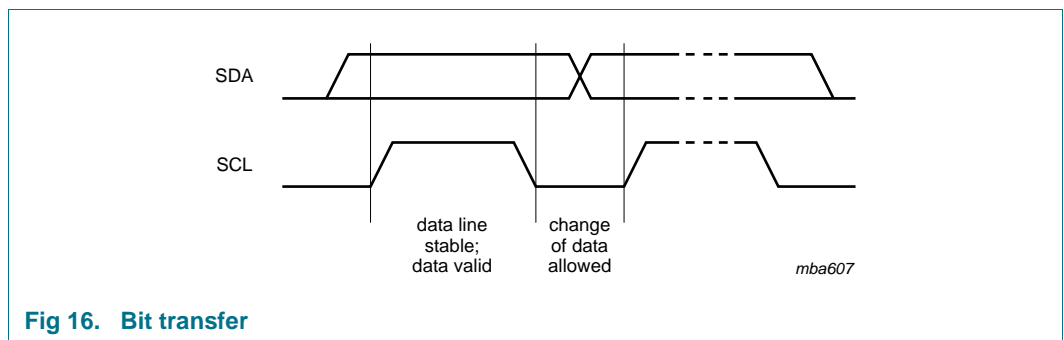


Fig 16. Bit transfer

9.1.1 START and STOP conditions

Both data and clock lines remain HIGH when the bus is not busy. A HIGH-to-LOW transition of the data line while the clock is HIGH is defined as the START condition (S). A LOW-to-HIGH transition of the data line while the clock is HIGH is defined as the STOP condition (P) (see [Figure 17](#)).

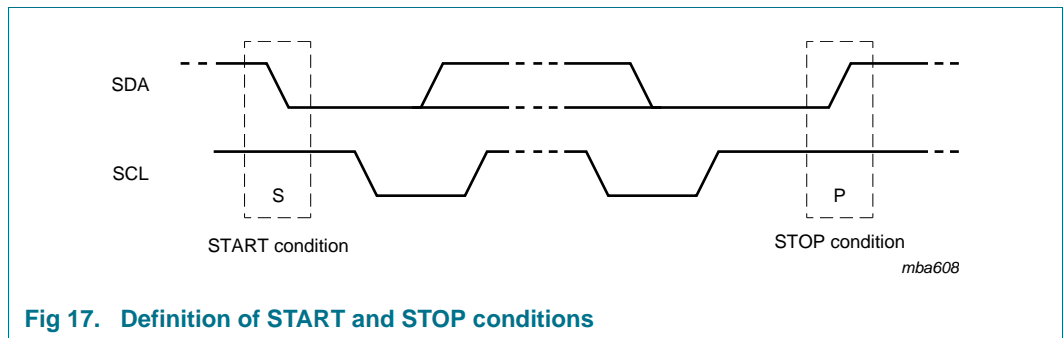


Fig 17. Definition of START and STOP conditions

9.2 System configuration

A device generating a message is a 'transmitter'; a device receiving is the 'receiver'. The device that controls the message is the 'master' and the devices which are controlled by the master are the 'slaves' (see [Figure 18](#)).

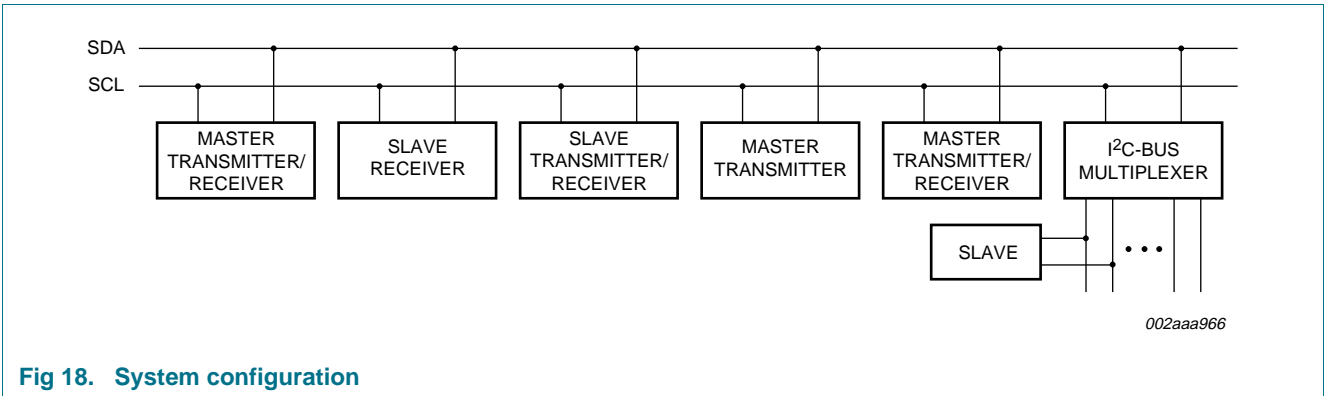


Fig 18. System configuration

9.3 Acknowledge

The number of data bytes transferred between the START and the STOP conditions from transmitter to receiver is not limited. Each byte of eight bits is followed by one acknowledge bit (see Figure 19). The acknowledge bit is an active LOW level (generated by the receiving device) that indicates to the transmitter that the data transfer was successful.

A slave receiver which is addressed must generate an acknowledge after the reception of each byte. Also a master must generate an acknowledge after the reception of each byte that has been clocked out of the slave transmitter. The device that wants to issue an acknowledge bit has to pull down the SDA line during the acknowledge clock pulse, so that the SDA line is stable LOW during the HIGH period of the acknowledge bit related clock pulse; set-up and hold times must be taken into account.

A master receiver must signal an end of data to the transmitter by **not** generating an acknowledge on the last byte that has been clocked out of the slave. In this event, the transmitter must leave the data line HIGH to enable the master to generate a STOP condition.

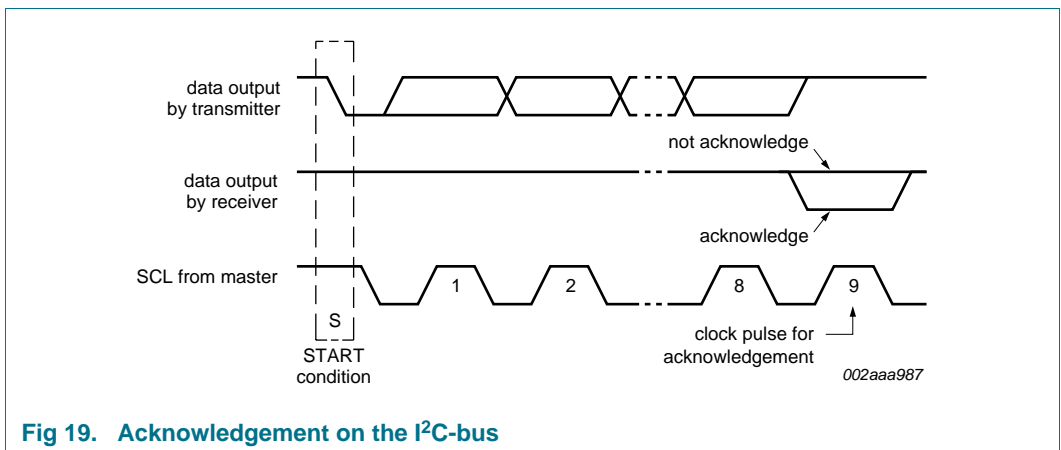


Fig 19. Acknowledgement on the I²C-bus

10. Application design-in information

10.1 Bidirectional I/O expander applications

In the 8-bit I/O expander application shown in [Figure 20](#), P0 and P1 are inputs, and P2 to P7 are outputs. When used in this configuration, during a write, **the input (P0 and P1) must be written as HIGH so the external devices fully control the input ports.** The desired HIGH or LOW logic levels may be written to the ports used as outputs (P2 to P7). If 10 µA internal output HIGH is not enough current source, the port needs external pull-up resistor. During a read, the logic levels of the external devices driving the input ports (P0 and P1) and the previous written logic level to the output ports (P2 to P7) will be read.

The GPIO also has an interrupt line ($\overline{\text{INT}}$) that can be connected to the interrupt logic of the microcontroller. By sending an interrupt signal on this line, the remote I/O informs the microprocessor that there has been a change of data on its ports without having to communicate via the I²C-bus.

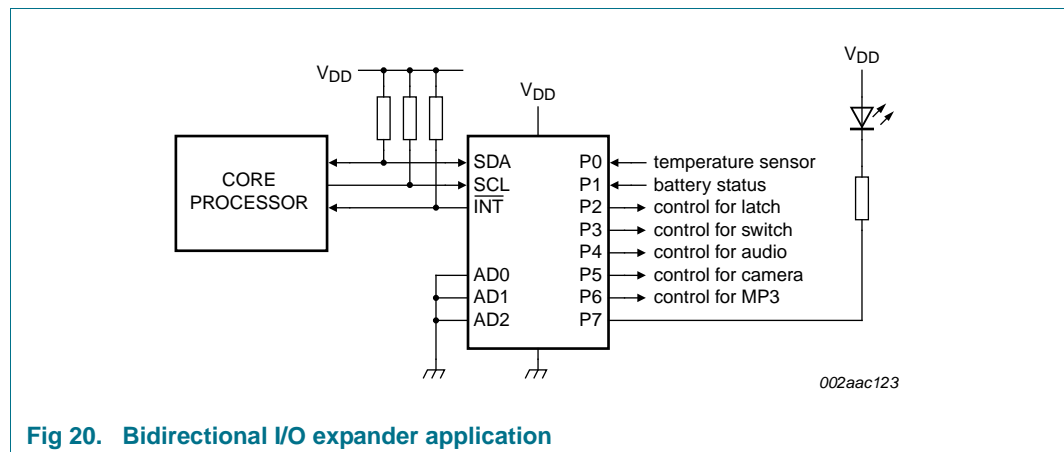


Fig 20. Bidirectional I/O expander application

10.2 How to read and write to I/O expander (example)

In the application example of PCA9674 shown in [Figure 20](#), the microcontroller wants to control the P3 switch ON and the P7 LED ON when the temperature sensor P0 changes.

1. When the system powers on:

Core Processor needs to issue an initial command to set P0 and P1 as inputs and P[7:2] as outputs with value 1010 00 (LED off, MP3 off, camera on, audio off, switch off and latch off).

2. Operation:

When the temperature changes above the threshold, the temperature sensor signal will toggle from HIGH to LOW. The $\overline{\text{INT}}$ will be activated and notifies the 'core processor' that there have been changes on the input pins. Read the input register. If P0 = 0 (temperature sensor has changed), then turn on LED and turn on switch.

3. Software code:

```
//System Power on
// write to PCA9674 with data 1010 0011b to set P[7:2] outputs and P[1:0] inputs
<S> <0100 0000> <ACK> <1010 0011> <ACK> <P> //Initial setting for PCA9674
```

```

while (INT == 1); //Monitor the interrupt pin. If INT = 1 do nothing
//When INT = 0 then read input ports
<S> <slave address read> <ACK> <1010 0010> <NACK> <P> //Read PCA9674 data
If (P0 == 0) //Temperature sensor activated
{
    // write to PCA9674 with data 0010 1011b to turn on LED (P7), on Switch (P3)
    and keep P[1:0] as input ports.
    <S> <0100 0000> <ACK> <0010 1011> <ACK> <P> // Write to PCA9674
}
    
```

10.3 High current-drive load applications

The GPIO has a minimum guaranteed sinking current of 25 mA per bit at 5 V. In applications requiring additional drive, two port pins may be connected together to sink up to 50 mA current. Both bits must then always be turned on or off together. Up to 8 pins can be connected together to drive 200 mA, which is the device recommended total limit. Each pin needs its own limiting resistor as shown in [Figure 21](#) to prevent damage to the device should all ports not be turned on at the same time.

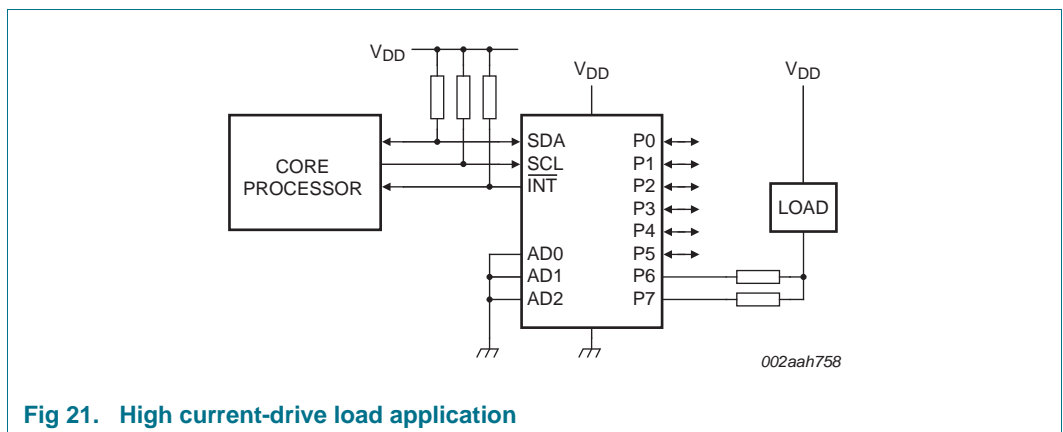


Fig 21. High current-drive load application

10.4 Migration path

NXP offers newer, more capable drop-in replacements for the PCF8574/74A in newer space-saving packages.

Table 6. Migration path

| Type number | I ² C-bus frequency | Voltage range | Number of addresses per device | Interrupt | Reset | Total package sink current |
|-------------|--------------------------------|----------------|--------------------------------|-----------|-------|----------------------------|
| PCF8574/74A | 100 kHz | 2.5 V to 6 V | 8 | yes | no | 80 mA |
| PCA8574/74A | 400 kHz | 2.3 V to 5.5 V | 8 | yes | no | 200 mA |
| PCA9674/74A | 1 MHz Fm+ | 2.3 V to 5.5 V | 64 | yes | no | 200 mA |
| PCA9670 | 1 MHz Fm+ | 2.3 V to 5.5 V | 64 | no | yes | 200 mA |
| PCA9672 | 1 MHz Fm+ | 2.3 V to 5.5 V | 16 | yes | yes | 200 mA |

PCA9670 replaces interrupt output of the PCA9674 with hardware reset input to retain the maximum number of addresses. PCA9672 replaces address A2 of the PCA9674 with hardware reset input to retain the interrupt, but limit the number of addresses.

11. Limiting values

Table 7. Limiting values

In accordance with the Absolute Maximum Rating System (IEC 60134).

| Symbol | Parameter | Conditions | Min | Max | Unit |
|---------------------|------------------------------|------------|-----------------------|------|------|
| V _{DD} | supply voltage | | -0.5 | +6 | V |
| I _{DD} | supply current | | - | ±100 | mA |
| I _{SS} | ground supply current | | - | ±400 | mA |
| V _I | input voltage | | V _{SS} - 0.5 | 5.5 | V |
| I _I | input current | | - | ±20 | mA |
| I _O | output current | [1] | - | ±50 | mA |
| P _{tot} | total power dissipation | | - | 400 | mW |
| P/out | power dissipation per output | | - | 100 | mW |
| T _{stg} | storage temperature | | -65 | +150 | °C |
| T _{amb} | ambient temperature | operating | -40 | +85 | °C |
| T _{j(max)} | maximum junction temperature | | - | 125 | °C |

[1] Total package (maximum) output current is 400 mA.

12. Thermal characteristics

Table 8. Thermal characteristics

| Symbol | Parameter | Conditions | Typ | Unit |
|----------------------|---|-----------------|-----|------|
| R _{th(j-a)} | thermal resistance from junction to ambient | HVQFN16 package | 40 | °C/W |
| | | SO16 package | 115 | °C/W |
| | | TSSOP16 package | 160 | °C/W |

13. Static characteristics

Table 9. Static characteristics
 $V_{DD} = 2.3\text{ V to }5.5\text{ V}$; $V_{SS} = 0\text{ V}$; $T_{amb} = -40\text{ }^{\circ}\text{C to }+85\text{ }^{\circ}\text{C}$; unless otherwise specified.

| Symbol | Parameter | Conditions | Min | Typ | Max | Unit |
|--|-----------------------------------|--|--------------|------|---------------|---------------|
| Supplies | | | | | | |
| V_{DD} | supply voltage | | 2.3 | - | 5.5 | V |
| I_{DD} | supply current | Operating mode; no load; $V_I = V_{DD}$ or V_{SS} ; $f_{SCL} = 1\text{ MHz}$; AD0, AD1, AD2 = static H or L | - | 200 | 500 | μA |
| I_{stb} | standby current | Standby mode; no load; $V_I = V_{DD}$ or V_{SS} ; $f_{SCL} = 0\text{ kHz}$ | - | 4.5 | 10 | μA |
| V_{POR} | power-on reset voltage | | [1] - | 1.8 | 2.0 | V |
| Input SCL; input/output SDA | | | | | | |
| V_{IL} | LOW-level input voltage | | -0.5 | - | +0.3 V_{DD} | V |
| V_{IH} | HIGH-level input voltage | | 0.7 V_{DD} | - | 5.5 | V |
| I_{OL} | LOW-level output current | $V_{OL} = 0.4\text{ V}$; $V_{DD} = 2.3\text{ V}$ | 20 | 35 | - | mA |
| | | $V_{OL} = 0.4\text{ V}$; $V_{DD} = 3.0\text{ V}$ | 25 | 44 | - | mA |
| | | $V_{OL} = 0.4\text{ V}$; $V_{DD} = 4.5\text{ V}$ | 30 | 57 | - | mA |
| I_L | leakage current | $V_I = V_{DD}$ or V_{SS} | -1 | - | +1 | μA |
| C_i | input capacitance | $V_I = V_{SS}$ | - | 5 | 10 | pF |
| I/Os; P0 to P7 | | | | | | |
| V_{IL} | LOW-level input voltage | | -0.5 | - | +0.3 V_{DD} | V |
| V_{IH} | HIGH-level input voltage | | 0.7 V_{DD} | - | 5.5 | V |
| I_{OL} | LOW-level output current | $V_{OL} = 0.5\text{ V}$; $V_{DD} = 2.3\text{ V}$ | [2] 12 | 26 | - | mA |
| | | $V_{OL} = 0.5\text{ V}$; $V_{DD} = 3.0\text{ V}$ | [2] 17 | 33 | - | mA |
| | | $V_{OL} = 0.5\text{ V}$; $V_{DD} = 4.5\text{ V}$ | [2] 25 | 40 | - | mA |
| $I_{OL(tot)}$ | total LOW-level output current | $V_{OL} = 0.5\text{ V}$; $V_{DD} = 4.5\text{ V}$ | [2] - | - | 200 | mA |
| I_{OH} | HIGH-level output current | $V_{OH} = V_{SS}$ | -30 | -138 | -300 | μA |
| $I_{trt(pu)}$ | transient boosted pull-up current | $V_{OH} = V_{SS}$; see Figure 13 | -0.5 | -1.0 | - | mA |
| C_i | input capacitance | | [3] - | 2.1 | 10 | pF |
| C_o | output capacitance | | [3] - | 2.1 | 10 | pF |
| Interrupt INT (see Figure 14 and Figure 13) | | | | | | |
| I_{OL} | LOW-level output current | $V_{OL} = 0.4\text{ V}$ | 3.0 | - | - | mA |
| C_o | output capacitance | | - | 3 | 5 | pF |
| Inputs AD0, AD1, AD2 | | | | | | |
| V_{IL} | LOW-level input voltage | | -0.5 | - | +0.3 V_{DD} | V |
| V_{IH} | HIGH-level input voltage | | 0.7 V_{DD} | - | 5.5 | V |
| I_{LI} | input leakage current | | -1 | - | +1 | μA |
| C_i | input capacitance | | - | 3.5 | 5 | pF |

[1] The power-on reset circuit resets the I²C-bus logic with $V_{DD} < V_{POR}$ and sets all I/Os to logic 1 (with current source to V_{DD}).

[2] Each bit must be limited to a maximum of 25 mA and the total package limited to 200 mA due to internal busing limits.

[3] The value is verified by characterization.

14. Dynamic characteristics

Table 10. Dynamic characteristics
 $V_{DD} = 2.3\text{ V to }5.5\text{ V}; V_{SS} = 0\text{ V}; T_{amb} = -40\text{ }^{\circ}\text{C to }+85\text{ }^{\circ}\text{C};$ unless otherwise specified.

| Symbol | Parameter | Conditions | Standard mode I ² C-bus | | Fast mode I ² C-bus | | Fast-mode Plus I ² C-bus | | Unit |
|---------------------|---|------------|------------------------------------|------|--------------------------------|-----|-------------------------------------|------|------|
| | | | Min | Max | Min | Max | Min | Max | |
| f _{SCL} | SCL clock frequency | | 0 | 100 | 0 | 400 | 0 | 1000 | kHz |
| t _{BUF} | bus free time between a STOP and START condition | | 4.7 | - | 1.3 | - | 0.5 | - | μs |
| t _{HD;STA} | hold time (repeated) START condition | | 4.0 | - | 0.6 | - | 0.26 | - | μs |
| t _{SU;STA} | set-up time for a repeated START condition | | 4.7 | - | 0.6 | - | 0.26 | - | μs |
| t _{SU;STO} | set-up time for STOP condition | | 4.0 | - | 0.6 | - | 0.26 | - | μs |
| t _{HD;DAT} | data hold time | | 0 | - | 0 | - | 0 | - | ns |
| t _{VD;ACK} | data valid acknowledge time | [1] | 0.3 | 3.45 | 0.1 | 0.9 | 0.05 | 0.45 | μs |
| t _{VD;DAT} | data valid time | [2] | 300 | - | 50 | - | 50 | 450 | ns |
| t _{SU;DAT} | data set-up time | | 250 | - | 100 | - | 50 | - | ns |
| t _{LOW} | LOW period of the SCL clock | | 4.7 | - | 1.3 | - | 0.5 | - | μs |
| t _{HIGH} | HIGH period of the SCL clock | | 4.0 | - | 0.6 | - | 0.26 | - | μs |
| t _f | fall time of both SDA and SCL signals | [4][5] | - | 300 | 20 + 0.1C _b [3] | 300 | - | 120 | ns |
| t _r | rise time of both SDA and SCL signals | | - | 1000 | 20 + 0.1C _b [3] | 300 | - | 120 | ns |
| t _{SP} | pulse width of spikes that must be suppressed by the input filter | [6] | - | 50 | - | 50 | - | 50 | ns |

Port timing; C_L ≤ 100 pF (see Figure 13 and Figure 14)

| | | | | | | | | | |
|--------------------|------------------------|--|---|---|---|---|---|---|----|
| t _{v(Q)} | data output valid time | | - | 4 | - | 4 | - | 4 | μs |
| t _{su(D)} | data input set-up time | | 0 | - | 0 | - | 0 | - | μs |
| t _{h(D)} | data input hold time | | 4 | - | 4 | - | 4 | - | μs |

Interrupt timing; C_L ≤ 100 pF (see Figure 13 and Figure 14)

| | | | | | | | | | |
|-----------------------|---|--|---|---|---|---|---|---|----|
| t _{v(INT)} | valid time on pin $\overline{\text{INT}}$ | from $\overline{\text{port}}$ to $\overline{\text{INT}}$ | - | 4 | - | 4 | - | 4 | μs |
| t _{rst(INT)} | reset time on pin $\overline{\text{INT}}$ | from SCL to $\overline{\text{INT}}$ | - | 4 | - | 4 | - | 4 | μs |

[1] t_{VD;ACK} = time for Acknowledgement signal from SCL LOW to SDA (out) LOW.

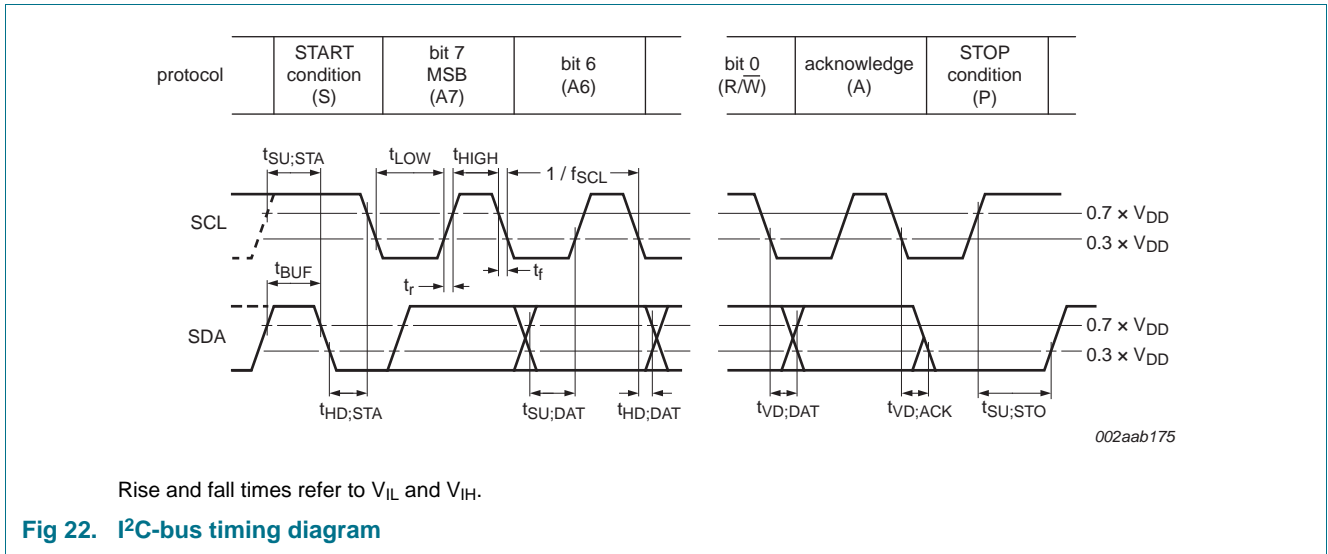
[2] t_{VD;DAT} = minimum time for SDA data out to be valid following SCL LOW.

[3] C_b = total capacitance of one bus line in pF.

[4] A master device must internally provide a hold time of at least 300 ns for the SDA signal (refer to the V_{IL} of the SCL signal) in order to bridge the undefined region SCL's falling edge.

[5] The maximum t_f for the SDA and SCL bus lines is specified at 300 ns. The maximum fall time for the SDA output stage t_f is specified at 250 ns. This allows series protection resistors to be connected between the SDA and the SCL pins and the SDA/SCL bus lines without exceeding the maximum specified t_f.

[6] Input filters on the SDA and SCL inputs suppress noise spikes less than 50 ns.



15. Package outline

HVQFN16: plastic thermal enhanced very thin quad flat package; no leads; 16 terminals; body 3 x 3 x 0.85 mm

SOT758-1

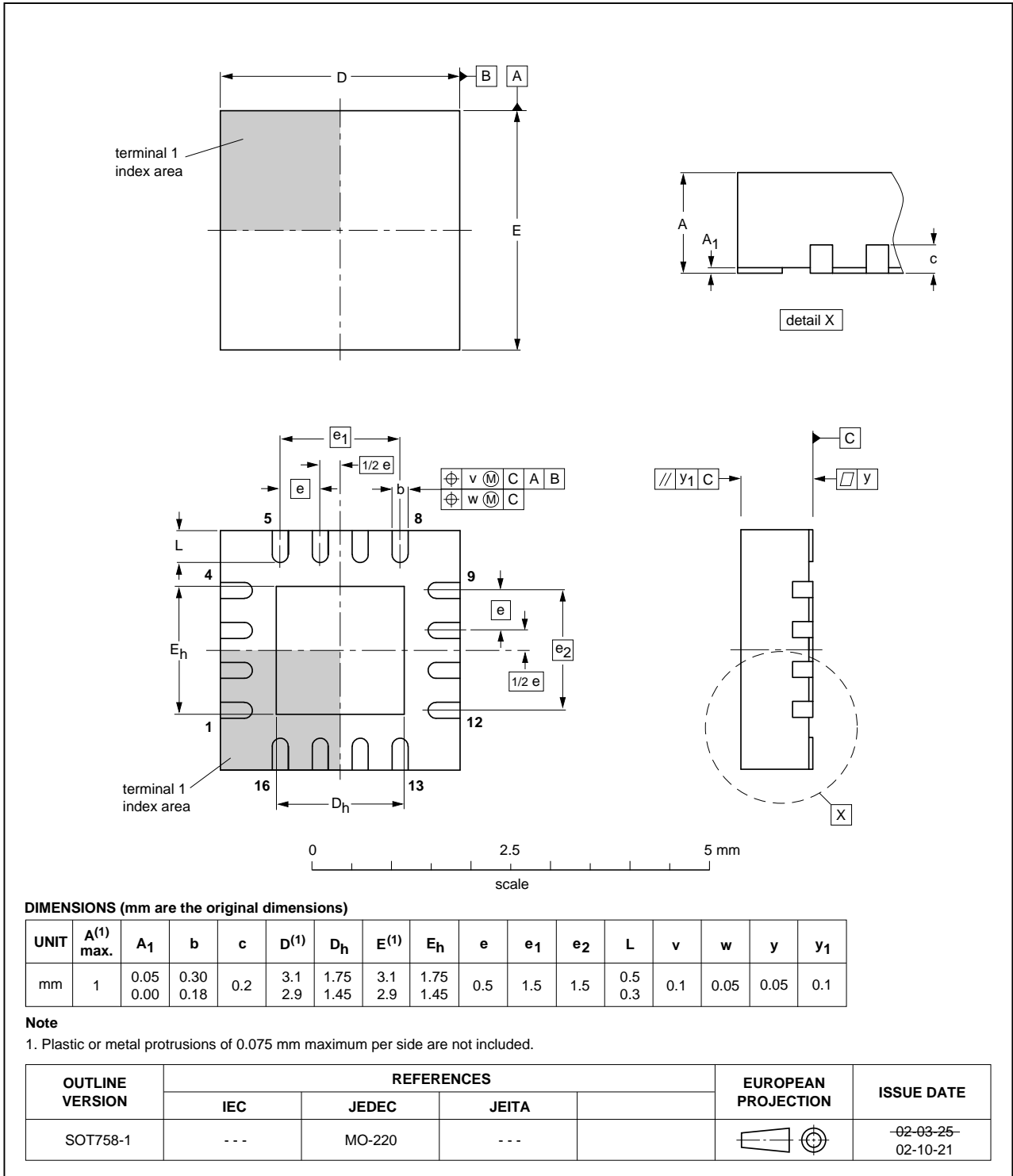


Fig 23. Package outline SOT758-1 (HVQFN16)

SO16: plastic small outline package; 16 leads; body width 7.5 mm

SOT162-1

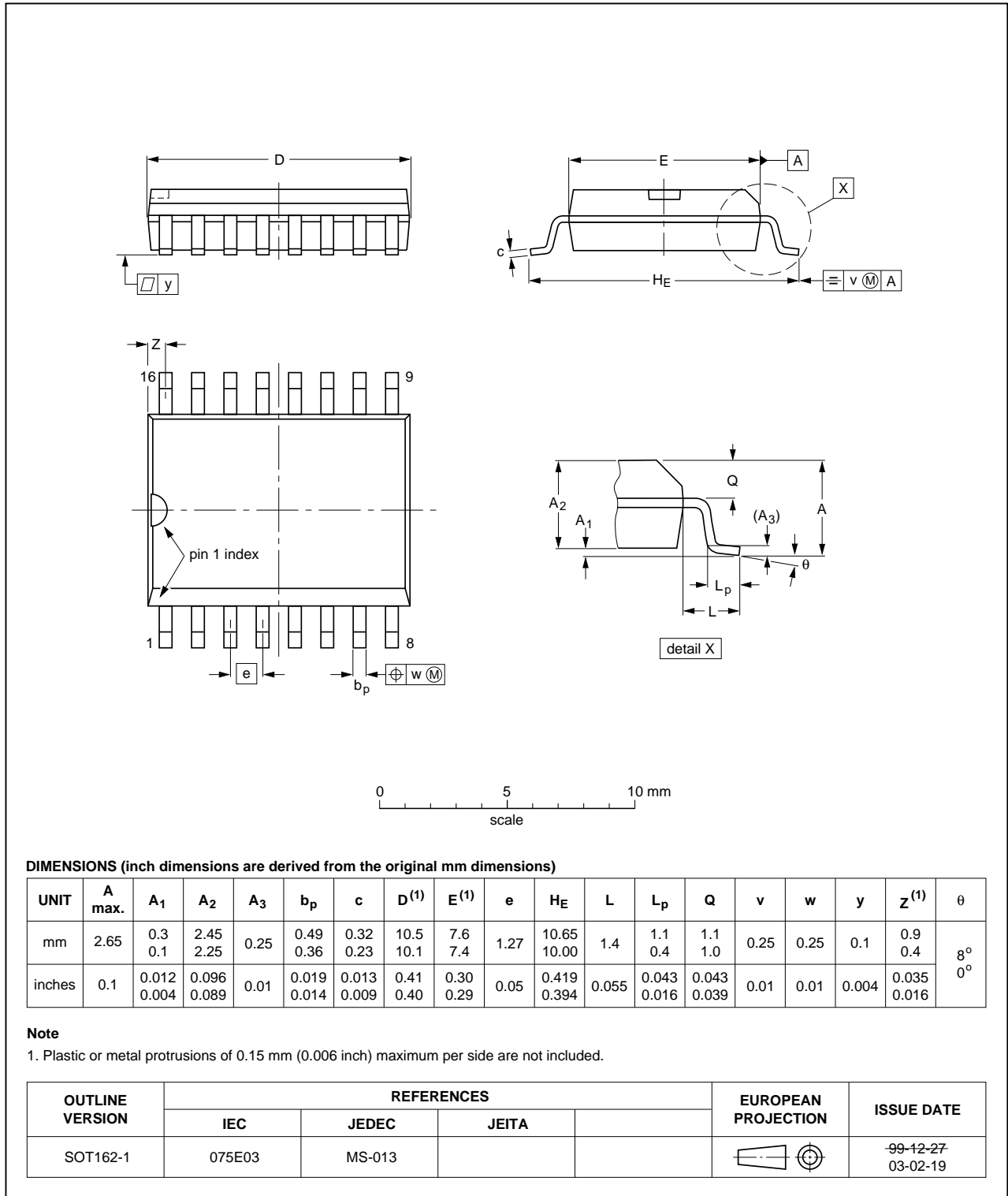


Fig 24. Package outline SOT162-1 (SO16)

TSSOP16: plastic thin shrink small outline package; 16 leads; body width 4.4 mm

SOT403-1

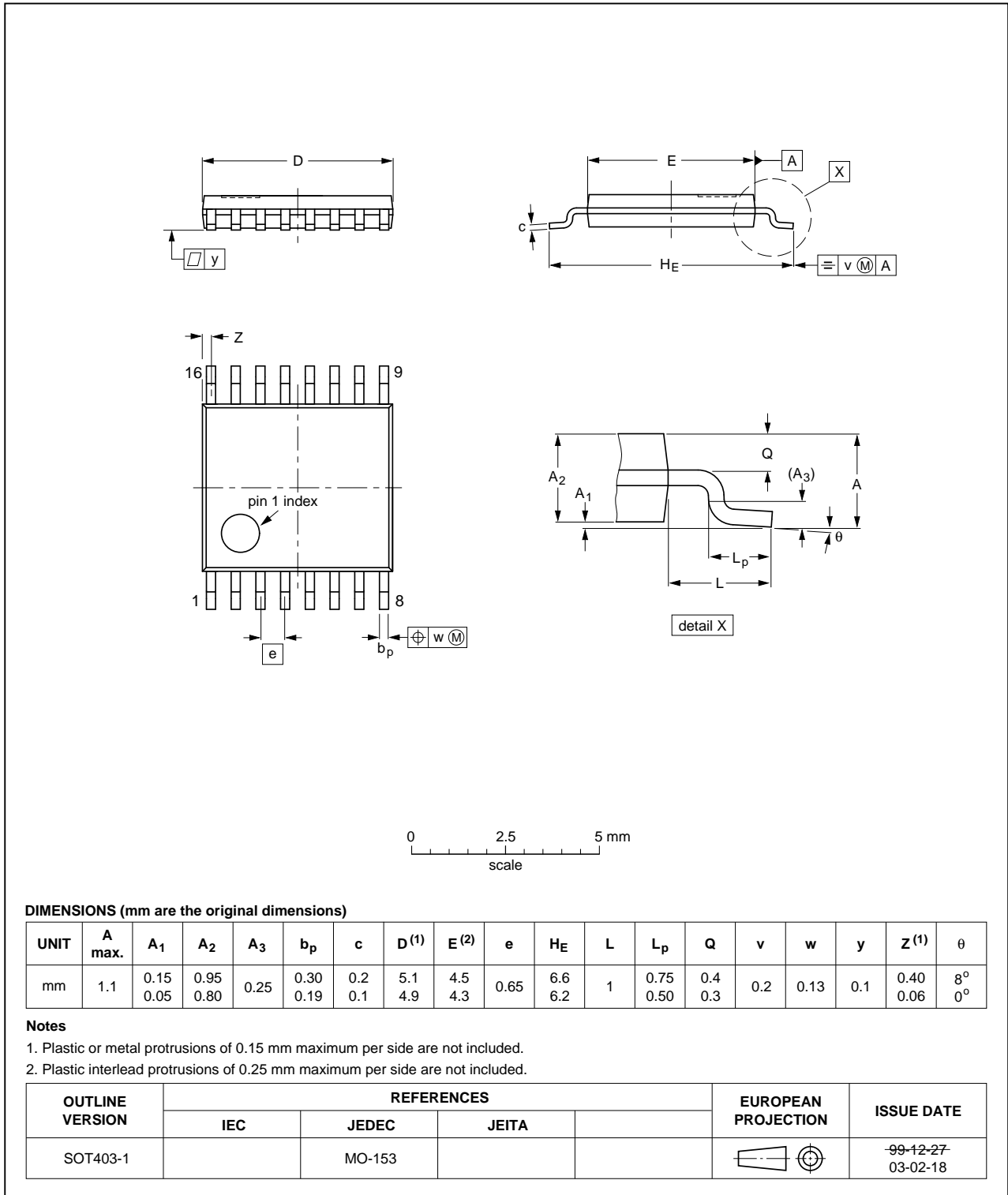


Fig 25. Package outline SOT403-1 (TSSOP16)

16. Handling information

All input and output pins are protected against ElectroStatic Discharge (ESD) under normal handling. When handling ensure that the appropriate precautions are taken as described in *JESD625-A* or equivalent standards.

17. Soldering of SMD packages

This text provides a very brief insight into a complex technology. A more in-depth account of soldering ICs can be found in Application Note *AN10365 "Surface mount reflow soldering description"*.

17.1 Introduction to soldering

Soldering is one of the most common methods through which packages are attached to Printed Circuit Boards (PCBs), to form electrical circuits. The soldered joint provides both the mechanical and the electrical connection. There is no single soldering method that is ideal for all IC packages. Wave soldering is often preferred when through-hole and Surface Mount Devices (SMDs) are mixed on one printed wiring board; however, it is not suitable for fine pitch SMDs. Reflow soldering is ideal for the small pitches and high densities that come with increased miniaturization.

17.2 Wave and reflow soldering

Wave soldering is a joining technology in which the joints are made by solder coming from a standing wave of liquid solder. The wave soldering process is suitable for the following:

- Through-hole components
- Leaded or leadless SMDs, which are glued to the surface of the printed circuit board

Not all SMDs can be wave soldered. Packages with solder balls, and some leadless packages which have solder lands underneath the body, cannot be wave soldered. Also, leaded SMDs with leads having a pitch smaller than ~0.6 mm cannot be wave soldered, due to an increased probability of bridging.

The reflow soldering process involves applying solder paste to a board, followed by component placement and exposure to a temperature profile. Leaded packages, packages with solder balls, and leadless packages are all reflow solderable.

Key characteristics in both wave and reflow soldering are:

- Board specifications, including the board finish, solder masks and vias
- Package footprints, including solder thieves and orientation
- The moisture sensitivity level of the packages
- Package placement
- Inspection and repair
- Lead-free soldering versus SnPb soldering

17.3 Wave soldering

Key characteristics in wave soldering are:

- Process issues, such as application of adhesive and flux, clinching of leads, board transport, the solder wave parameters, and the time during which components are exposed to the wave
- Solder bath specifications, including temperature and impurities

17.4 Reflow soldering

Key characteristics in reflow soldering are:

- Lead-free versus SnPb soldering; note that a lead-free reflow process usually leads to higher minimum peak temperatures (see [Figure 26](#)) than a SnPb process, thus reducing the process window
- Solder paste printing issues including smearing, release, and adjusting the process window for a mix of large and small components on one board
- Reflow temperature profile; this profile includes preheat, reflow (in which the board is heated to the peak temperature) and cooling down. It is imperative that the peak temperature is high enough for the solder to make reliable solder joints (a solder paste characteristic). In addition, the peak temperature must be low enough that the packages and/or boards are not damaged. The peak temperature of the package depends on package thickness and volume and is classified in accordance with [Table 11](#) and [12](#)

Table 11. SnPb eutectic process (from J-STD-020D)

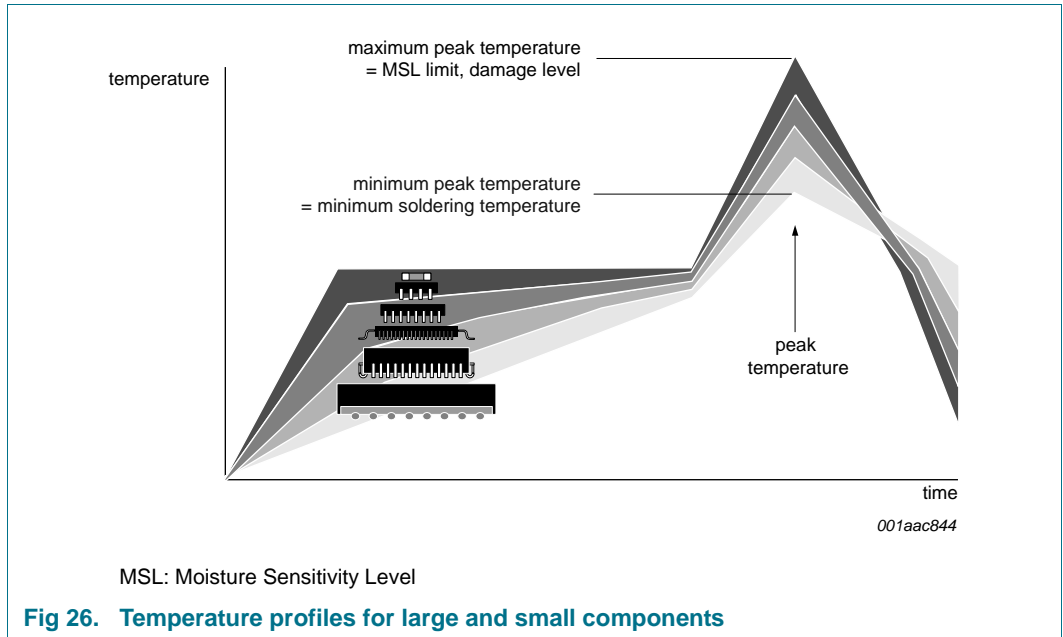
| Package thickness (mm) | Package reflow temperature (°C) | |
|------------------------|---------------------------------|-------|
| | Volume (mm ³) | |
| | < 350 | ≥ 350 |
| < 2.5 | 235 | 220 |
| ≥ 2.5 | 220 | 220 |

Table 12. Lead-free process (from J-STD-020D)

| Package thickness (mm) | Package reflow temperature (°C) | | |
|------------------------|---------------------------------|-------------|--------|
| | Volume (mm ³) | | |
| | < 350 | 350 to 2000 | > 2000 |
| < 1.6 | 260 | 260 | 260 |
| 1.6 to 2.5 | 260 | 250 | 245 |
| > 2.5 | 250 | 245 | 245 |

Moisture sensitivity precautions, as indicated on the packing, must be respected at all times.

Studies have shown that small packages reach higher temperatures during reflow soldering, see [Figure 26](#).



For further information on temperature profiles, refer to Application Note AN10365 “Surface mount reflow soldering description”.

18. Soldering: PCB footprints

Footprint information for reflow soldering of HVQFN16 package

SOT758-1

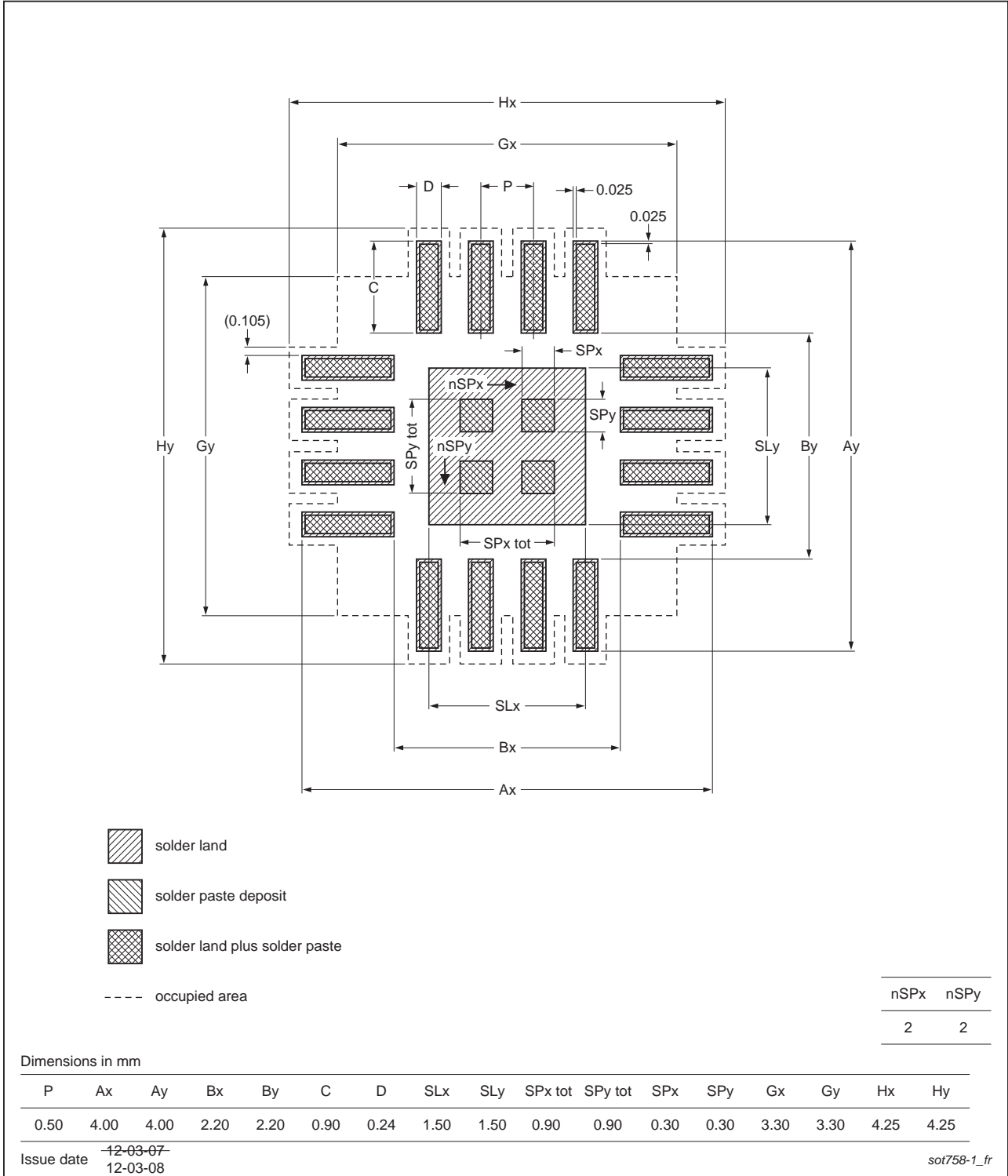
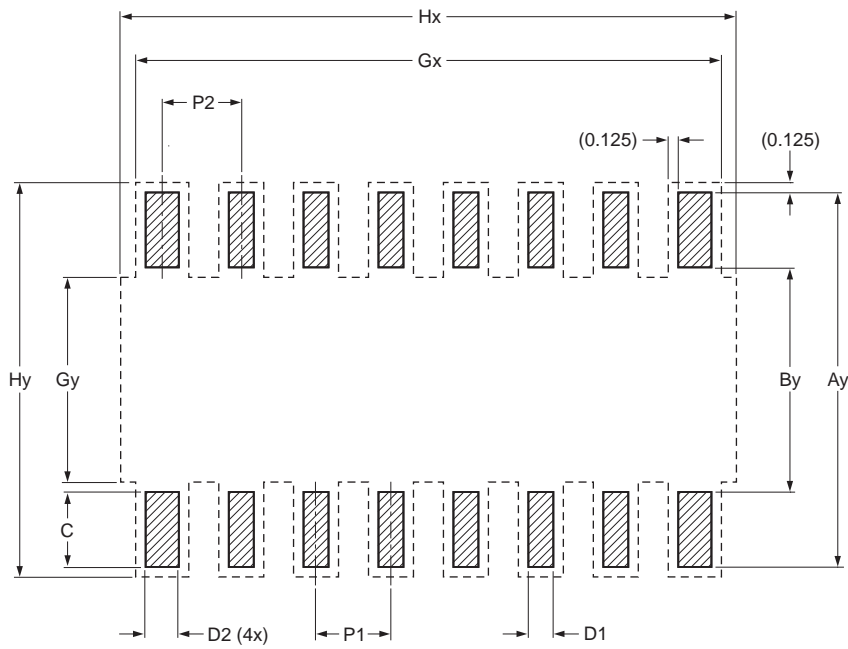



Fig 27. PCB footprint for SOT758-1 (HVQFN16); reflow soldering

Footprint information for reflow soldering of SO16 package

SOT162-1



Generic footprint pattern
Refer to the package outline drawing for actual layout

 solder land
 - - - - occupied area

DIMENSIONS in mm

| P1 | P2 | Ay | By | C | D1 | D2 | Gx | Gy | Hx | Hy |
|-------|-------|--------|-------|-------|-------|-------|--------|-------|--------|--------|
| 1.270 | 1.320 | 11.200 | 6.400 | 2.400 | 0.700 | 0.800 | 10.040 | 8.600 | 11.900 | 11.450 |

sot162-1_fr

Fig 28. PCB footprint for SOT162-1 (SO16); reflow soldering

Footprint information for reflow soldering of TSSOP16 package

SOT403-1

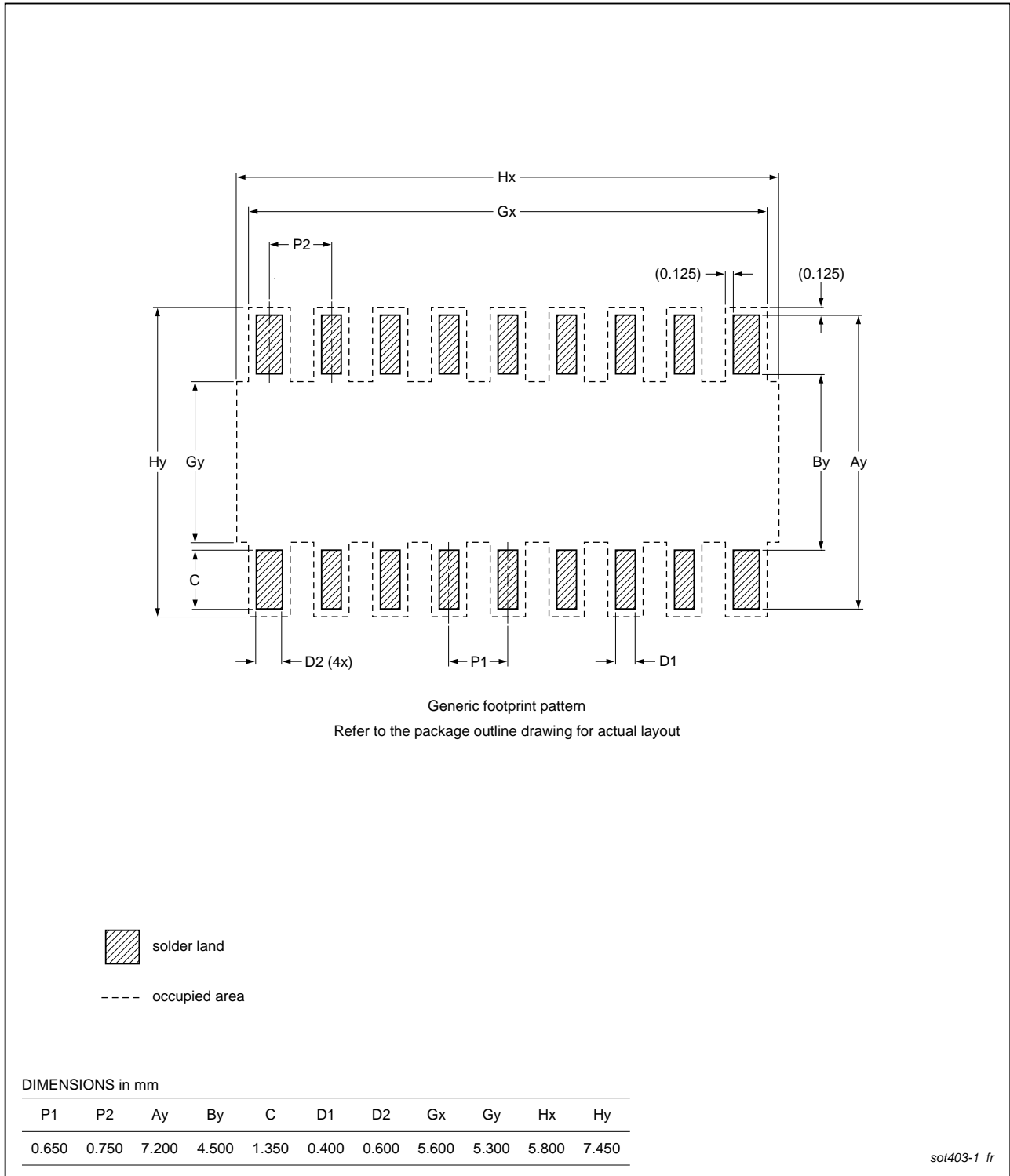


Fig 29. PCB footprint for SOT403-1 (TSSOP16); reflow soldering

19. Abbreviations

Table 13. Abbreviations

| Acronym | Description |
|----------------------|-------------------------------|
| CDM | Charged-Device Model |
| ESD | ElectroStatic Discharge |
| GPIO | General Purpose Input/Output |
| HBM | Human Body Model |
| LED | Light Emitting Diode |
| IC | Integrated Circuit |
| I ² C-bus | Inter-Integrated Circuit bus |
| ID | Identification |
| LSB | Least Significant Bit |
| MSB | Most Significant Bit |
| PLC | Programmable Logic Controller |
| PWM | Pulse Width Modulation |
| SMBus | System Management Bus |

20. Revision history

Table 14. Revision history

| Document ID | Release date | Data sheet status | Change notice | Supersedes |
|----------------------|--------------|--------------------|---------------|----------------------|
| PCA9674_PCA9674A v.7 | 20130530 | Product data sheet | - | PCA9674_PCA9674A v.6 |

Modifications:

- [Section 1 “General description”](#) is re-written
- [Section 2 “Features and benefits”](#) is re-written
- [Table 1 “Ordering information”](#): Topside mark for PCA9674APW is corrected from “PA9674A” to “9674A”
- Added [Section 4.1 “Ordering options”](#)
- [Figure 1 “Block diagram of PCA9674; PCA9674A”](#) modified: swapped positions of blocks “INTERRUPT LOGIC” and “LP FILTER”
- [Figure 2 “Simplified schematic diagram of P0 to P7”](#) modified: deleted diode between V_{DD} and (P0 to P7) signals
- Combined (old) Table 3, “Pin description for SO16, TSSOP16” and Table 4, “Pin description for HVQFN16” into one table: [Table 3 “Pin description”](#)
- [Section 7.1 “Device address”](#):
 - first paragraph is re-written
 - last paragraph: inserted phrase “or the newer PCA8574 or PCA8574A”
- [Section 7.1.1 “Address maps”](#): added (new) first paragraph
- [Table 4 “PCA9674 address map”](#) modified: added separate columns for Read and Write addresses and column for 7-bit hexadecimal address
- [Table 5 “PCA9674A address map”](#) modified: added separate columns for Read and Write addresses and column for 7-bit hexadecimal address
- [Section 7.2.1 “Software Reset”](#): added paragraph following [Figure 9](#)

Table 14. Revision history ...continued

| Document ID | Release date | Data sheet status | Change notice | Supersedes |
|----------------------------|--|----------------------|---------------|----------------------|
| Modifications: (continued) | <ul style="list-style-type: none"> • Table 10 “Dynamic characteristics”, sub-section “Interrupt timing”: <ul style="list-style-type: none"> – symbol/parameter corrected from “$t_{v(D)}$, data input valid time” to “$t_{v(INT)}$, valid time on pin \overline{INT}” – symbol/parameter corrected from “$t_{d(rst)}$, reset delay time” to “$t_{rst(INT)}$, reset time on pin \overline{INT}” • Added Section 18 “Soldering: PCB footprints” | | | |
| PCA9674_PCA9674A v.6 | 20110929 | Product data sheet | - | PCA9674_PCA9674A v.5 |
| PCA9674_PCA9674A v.5 | 20090615 | Product data sheet | - | PCA9674_PCA9674A v.4 |
| PCA9674_PCA9674A v.4 | 20090303 | Product data sheet | - | PCA9674_PCA9674A v.3 |
| PCA9674_PCA9674A v.3 | 20070907 | Product data sheet | - | PCA9674_PCA9674A v.2 |
| PCA9674_PCA9674A v.2 | 20061012 | Product data sheet | - | PCA9674_PCA9674A v.1 |
| PCA9674_PCA9674A v.1 | 20060905 | Objective data sheet | - | - |

21. Legal information

21.1 Data sheet status

| Document status ^{[1][2]} | Product status ^[3] | Definition |
|-----------------------------------|-------------------------------|---|
| Objective [short] data sheet | Development | This document contains data from the objective specification for product development. |
| Preliminary [short] data sheet | Qualification | This document contains data from the preliminary specification. |
| Product [short] data sheet | Production | This document contains the product specification. |

[1] Please consult the most recently issued document before initiating or completing a design.

[2] The term 'short data sheet' is explained in section "Definitions".

[3] The product status of device(s) described in this document may have changed since this document was published and may differ in case of multiple devices. The latest product status information is available on the Internet at URL <http://www.nxp.com>.

21.2 Definitions

Draft — The document is a draft version only. The content is still under internal review and subject to formal approval, which may result in modifications or additions. NXP Semiconductors does not give any representations or warranties as to the accuracy or completeness of information included herein and shall have no liability for the consequences of use of such information.

Short data sheet — A short data sheet is an extract from a full data sheet with the same product type number(s) and title. A short data sheet is intended for quick reference only and should not be relied upon to contain detailed and full information. For detailed and full information see the relevant full data sheet, which is available on request via the local NXP Semiconductors sales office. In case of any inconsistency or conflict with the short data sheet, the full data sheet shall prevail.

Product specification — The information and data provided in a Product data sheet shall define the specification of the product as agreed between NXP Semiconductors and its customer, unless NXP Semiconductors and customer have explicitly agreed otherwise in writing. In no event however, shall an agreement be valid in which the NXP Semiconductors product is deemed to offer functions and qualities beyond those described in the Product data sheet.

21.3 Disclaimers

Limited warranty and liability — Information in this document is believed to be accurate and reliable. However, NXP Semiconductors does not give any representations or warranties, expressed or implied, as to the accuracy or completeness of such information and shall have no liability for the consequences of use of such information. NXP Semiconductors takes no responsibility for the content in this document if provided by an information source outside of NXP Semiconductors.

In no event shall NXP Semiconductors be liable for any indirect, incidental, punitive, special or consequential damages (including - without limitation - lost profits, lost savings, business interruption, costs related to the removal or replacement of any products or rework charges) whether or not such damages are based on tort (including negligence), warranty, breach of contract or any other legal theory.

Notwithstanding any damages that customer might incur for any reason whatsoever, NXP Semiconductors' aggregate and cumulative liability towards customer for the products described herein shall be limited in accordance with the *Terms and conditions of commercial sale* of NXP Semiconductors.

Right to make changes — NXP Semiconductors reserves the right to make changes to information published in this document, including without limitation specifications and product descriptions, at any time and without notice. This document supersedes and replaces all information supplied prior to the publication hereof.

Suitability for use — NXP Semiconductors products are not designed, authorized or warranted to be suitable for use in life support, life-critical or safety-critical systems or equipment, nor in applications where failure or malfunction of an NXP Semiconductors product can reasonably be expected to result in personal injury, death or severe property or environmental damage. NXP Semiconductors and its suppliers accept no liability for inclusion and/or use of NXP Semiconductors products in such equipment or applications and therefore such inclusion and/or use is at the customer's own risk.

Applications — Applications that are described herein for any of these products are for illustrative purposes only. NXP Semiconductors makes no representation or warranty that such applications will be suitable for the specified use without further testing or modification.

Customers are responsible for the design and operation of their applications and products using NXP Semiconductors products, and NXP Semiconductors accepts no liability for any assistance with applications or customer product design. It is customer's sole responsibility to determine whether the NXP Semiconductors product is suitable and fit for the customer's applications and products planned, as well as for the planned application and use of customer's third party customer(s). Customers should provide appropriate design and operating safeguards to minimize the risks associated with their applications and products.

NXP Semiconductors does not accept any liability related to any default, damage, costs or problem which is based on any weakness or default in the customer's applications or products, or the application or use by customer's third party customer(s). Customer is responsible for doing all necessary testing for the customer's applications and products using NXP Semiconductors products in order to avoid a default of the applications and the products or of the application or use by customer's third party customer(s). NXP does not accept any liability in this respect.

Limiting values — Stress above one or more limiting values (as defined in the Absolute Maximum Ratings System of IEC 60134) will cause permanent damage to the device. Limiting values are stress ratings only and (proper) operation of the device at these or any other conditions above those given in the Recommended operating conditions section (if present) or the Characteristics sections of this document is not warranted. Constant or repeated exposure to limiting values will permanently and irreversibly affect the quality and reliability of the device.

Terms and conditions of commercial sale — NXP Semiconductors products are sold subject to the general terms and conditions of commercial sale, as published at <http://www.nxp.com/profile/terms>, unless otherwise agreed in a valid written individual agreement. In case an individual agreement is concluded only the terms and conditions of the respective agreement shall apply. NXP Semiconductors hereby expressly objects to applying the customer's general terms and conditions with regard to the purchase of NXP Semiconductors products by customer.

No offer to sell or license — Nothing in this document may be interpreted or construed as an offer to sell products that is open for acceptance or the grant, conveyance or implication of any license under any copyrights, patents or other industrial or intellectual property rights.

Export control — This document as well as the item(s) described herein may be subject to export control regulations. Export might require a prior authorization from competent authorities.

Non-automotive qualified products — Unless this data sheet expressly states that this specific NXP Semiconductors product is automotive qualified, the product is not suitable for automotive use. It is neither qualified nor tested in accordance with automotive testing or application requirements. NXP Semiconductors accepts no liability for inclusion and/or use of non-automotive qualified products in automotive equipment or applications.

In the event that customer uses the product for design-in and use in automotive applications to automotive specifications and standards, customer (a) shall use the product without NXP Semiconductors' warranty of the product for such automotive applications, use and specifications, and (b) whenever customer uses the product for automotive applications beyond NXP Semiconductors' specifications such use shall be solely at customer's

own risk, and (c) customer fully indemnifies NXP Semiconductors for any liability, damages or failed product claims resulting from customer design and use of the product for automotive applications beyond NXP Semiconductors' standard warranty and NXP Semiconductors' product specifications.

Translations — A non-English (translated) version of a document is for reference only. The English version shall prevail in case of any discrepancy between the translated and English versions.

21.4 Trademarks

Notice: All referenced brands, product names, service names and trademarks are the property of their respective owners.

I²C-bus — logo is a trademark of NXP B.V.

22. Contact information

For more information, please visit: <http://www.nxp.com>

For sales office addresses, please send an email to: salesaddresses@nxp.com

23. Contents

| | | | | | |
|-----------|--|-----------|-----------|----------------------------------|-----------|
| 1 | General description | 1 | 19 | Abbreviations | 35 |
| 2 | Features and benefits | 1 | 20 | Revision history | 35 |
| 3 | Applications | 2 | 21 | Legal information | 38 |
| 4 | Ordering information | 3 | 21.1 | Data sheet status | 38 |
| 4.1 | Ordering options | 3 | 21.2 | Definitions | 38 |
| 5 | Block diagram | 4 | 21.3 | Disclaimers | 38 |
| 6 | Pinning information | 5 | 21.4 | Trademarks | 39 |
| 6.1 | Pinning | 5 | 22 | Contact information | 39 |
| 6.2 | Pin description | 5 | 23 | Contents | 40 |
| 7 | Functional description | 6 | | | |
| 7.1 | Device address | 6 | | | |
| 7.1.1 | Address maps | 7 | | | |
| 7.2 | Software Reset Call, and device ID addresses | 11 | | | |
| 7.2.1 | Software Reset | 11 | | | |
| 7.2.2 | Device ID (PCA9674; PCA9674A ID field) ... | 12 | | | |
| 8 | I/O programming | 14 | | | |
| 8.1 | Quasi-bidirectional I/Os | 14 | | | |
| 8.2 | Writing to the port (Output mode) | 15 | | | |
| 8.3 | Reading from a port (Input mode) | 16 | | | |
| 8.4 | Power-on reset | 17 | | | |
| 8.5 | Interrupt output (INT) | 17 | | | |
| 9 | Characteristics of the I²C-bus | 18 | | | |
| 9.1 | Bit transfer | 18 | | | |
| 9.1.1 | START and STOP conditions | 18 | | | |
| 9.2 | System configuration | 18 | | | |
| 9.3 | Acknowledge | 19 | | | |
| 10 | Application design-in information | 20 | | | |
| 10.1 | Bidirectional I/O expander applications | 20 | | | |
| 10.2 | How to read and write to I/O expander (example) | 20 | | | |
| 10.3 | High current-drive load applications | 21 | | | |
| 10.4 | Migration path | 21 | | | |
| 11 | Limiting values | 22 | | | |
| 12 | Thermal characteristics | 22 | | | |
| 13 | Static characteristics | 23 | | | |
| 14 | Dynamic characteristics | 24 | | | |
| 15 | Package outline | 26 | | | |
| 16 | Handling information | 29 | | | |
| 17 | Soldering of SMD packages | 29 | | | |
| 17.1 | Introduction to soldering | 29 | | | |
| 17.2 | Wave and reflow soldering | 29 | | | |
| 17.3 | Wave soldering | 29 | | | |
| 17.4 | Reflow soldering | 30 | | | |
| 18 | Soldering: PCB footprints | 32 | | | |

Please be aware that important notices concerning this document and the product(s) described herein, have been included in section 'Legal information'.

© NXP B.V. 2013.

All rights reserved.

For more information, please visit: <http://www.nxp.com>

For sales office addresses, please send an email to: salesaddresses@nxp.com

Date of release: 30 May 2013

Document identifier: PCA9674_PCA9674A

Looking for pricing, stock, or lifecycle information?

Click below to explore more details on WIN SOURCE:

- ⊖ [View PCA9674D,512 on WIN SOURCE](#)
- ⊖ [NXP / Nexperia Information](#)

Optimize Your Supply Chain with WIN SOURCE Solutions

- ✓ Global Sourcing Solution
- ✓ Obsolete Management
- ✓ Cost Control Management
- ✓ Shortage Management
- ✓ Alternative Solution
- ✓ Excess Inventory Management