

# DATA SHEET

## **80C31/80C32**

### **80C51 8-bit microcontroller family**

128/256 byte RAM ROMless low voltage (2.7 V–5.5 V),  
low power, high speed (33 MHz)

Product specification  
IC28 Data Handbook

2000 Aug 07

## 80C51 8-bit microcontroller family

### 128/256 byte RAM ROMless low voltage (2.7V–5.5V), low power, high speed (33 MHz)

## 80C31/80C32

### DESCRIPTION

The Philips 80C31/32 is a high-performance static 80C51 design fabricated with Philips high-density CMOS technology with operation from 2.7 V to 5.5 V.

The 80C31/32 ROMless devices contain a 128 × 8 RAM/256 × 8 RAM, 32 I/O lines, three 16-bit counter/timers, a six-source, four-priority level nested interrupt structure, a serial I/O port for either multi-processor communications, I/O expansion or full duplex UART, and on-chip oscillator and clock circuits.

In addition, the device is a low power static design which offers a wide range of operating frequencies down to zero. Two software selectable modes of power reduction—idle mode and power-down mode are available. The idle mode freezes the CPU while allowing the RAM, timers, serial port, and interrupt system to continue functioning. The power-down mode saves the RAM contents but freezes the oscillator, causing all other chip functions to be inoperative. Since the design is static, the clock can be stopped without loss of user data and then the execution resumed from the point the clock was stopped.

### SELECTION TABLE

For applications requiring more ROM and RAM, see the 8XC54/58 and 8XC51RA+/RB+/RC+/80C51RA+ data sheet.

| ROM/EPROM Memory Size (X by 8)   | RAM Size (X by 8) | Programmable Timer Counter (PCA) | Hardware Watch Dog Timer |
|----------------------------------|-------------------|----------------------------------|--------------------------|
| <b>80C31/8XC51</b>               |                   |                                  |                          |
| 0K/4K                            | 128               | No                               | No                       |
| <b>80C32/8XC52/54/58</b>         |                   |                                  |                          |
| 0K/8K/16K/32K                    | 256               | No                               | No                       |
| <b>80C51RA+/8XC51RA+/RB+/RC+</b> |                   |                                  |                          |
| 0K/8K/16K/32K                    | 512               | Yes                              | Yes                      |
| <b>8XC51RD+</b>                  |                   |                                  |                          |
| 64K                              | 1024              | Yes                              | Yes                      |

### FEATURES

- 8051 Central Processing Unit
  - 128 × 8 RAM (80C31)
  - 256 × 8 RAM (80C32)
  - Three 16-bit counter/timers
  - Boolean processor
  - Full static operation
  - Low voltage (2.7 V to 5.5 V@ 16 MHz) operation
- Memory addressing capability
  - 64k ROM and 64k RAM
- Power control modes:
  - Clock can be stopped and resumed
  - Idle mode
  - Power-down mode
- CMOS and TTL compatible
- TWO speed ranges at  $V_{CC} = 5 V$ 
  - 0 to 16 MHz
  - 0 to 33 MHz
- Three package styles
- Extended temperature ranges
- Dual Data Pointers
- 4 level priority interrupt
- 6 interrupt sources
- Four 8-bit I/O ports
- Full-duplex enhanced UART
  - Framing error detection
  - Automatic address recognition
- Programmable clock out
- Asynchronous port reset
- Low EMI (inhibit ALE)
- Wake-up from Power Down by an external interrupt

80C51 8-bit microcontroller family  
128/256 byte RAM ROMless low voltage (2.7V–5.5V),  
low power, high speed (33 MHz)

80C31/80C32

**80C51/87C51 AND 80C31 ORDERING INFORMATION**

| ROMless     | TEMPERATURE RANGE °C<br>AND PACKAGE      | VOLTAGE<br>RANGE | FREQ.<br>(MHz) | DRAWING<br>NUMBER |
|-------------|--|------------------|----------------|-------------------|
| P80C31SBPN  | 0 to +70, Plastic Dual In-line Package   | 2.7 V to 5.5 V   | 0 to 16        | SOT129-1          |
| P80C31SBAA  | 0 to +70, Plastic Leaded Chip Carrier    | 2.7 V to 5.5 V   | 0 to 16        | SOT187-2          |
| P80C31SBBB  | 0 to +70, Plastic Quad Flat Pack         | 2.7 V to 5.5 V   | 0 to 16        | SOT307-2          |
| P80C31SFPN  | –40 to +85, Plastic Dual In-line Package | 2.7 V to 5.5 V   | 0 to 16        | SOT129-1          |
| P80C31SFA A | –40 to +85, Plastic Leaded Chip Carrier  | 2.7 V to 5.5 V   | 0 to 16        | SOT187-2          |
| P80C31SFBB  | –40 to +85, Plastic Quad Flat Pack       | 2.7 V to 5.5 V   | 0 to 16        | SOT307-2          |

**PART NUMBER DERIVATION**

| DEVICE NUMBER | OPERATING FREQUENCY, MAX (S) | TEMPERATURE RANGE (B) | PACKAGE (AA)           |
|---------------|------------------------------|-----------------------|------------------------|
| P80C31        | S = 16 MHz                   | B = 0° to +70°C       | AA = PLCC              |
| P80C32        | U = 33 MHz                   | F = –40°C to +85°C    | BB = PQFP<br>PN = PDIP |

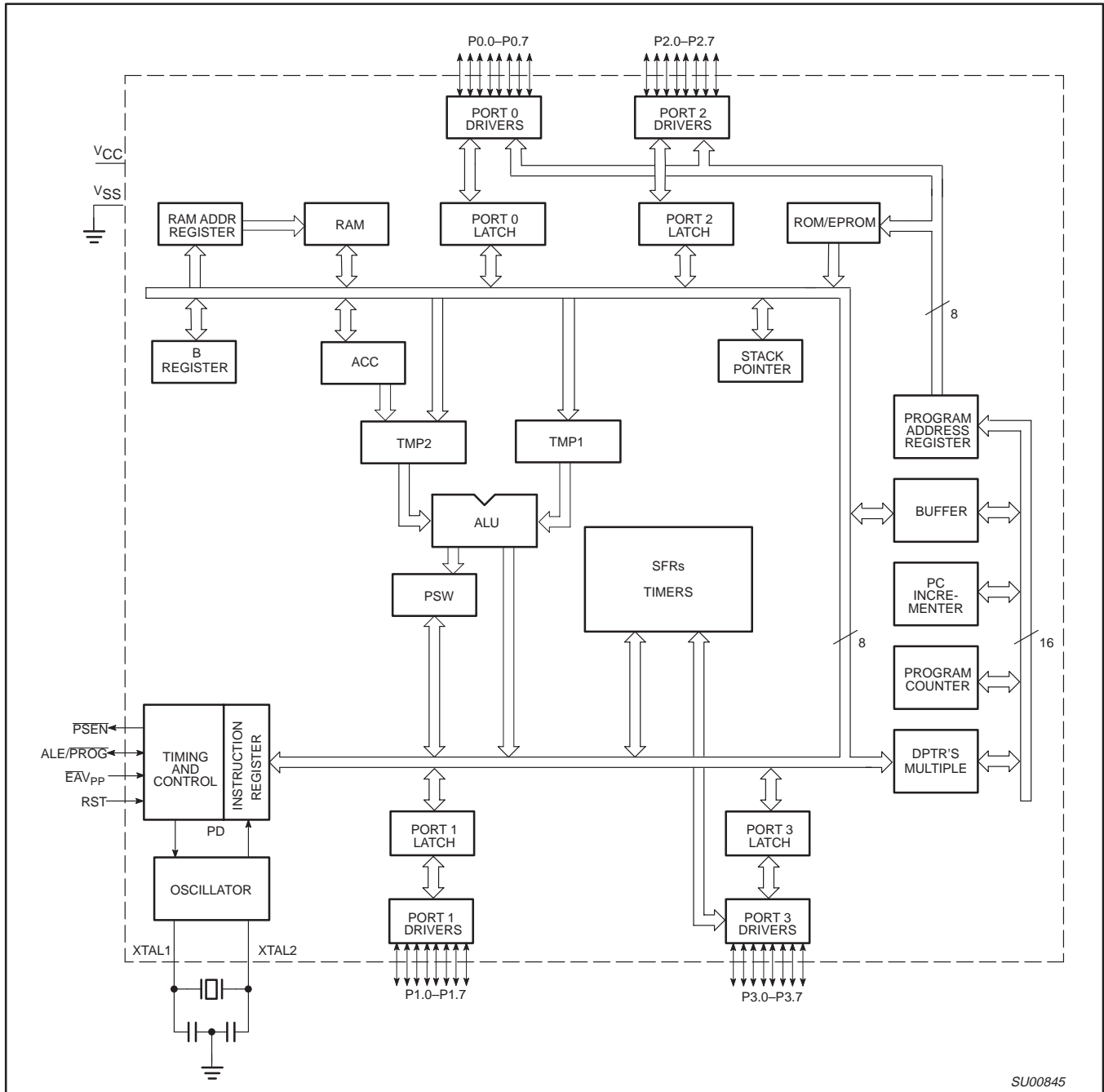
**80C32 ORDERING INFORMATION**

| ROMless     | TEMPERATURE RANGE °C<br>AND PACKAGE      | FREQ<br>MHz | DRAWING<br>NUMBER |
|-------------|--|-------------|-------------------|
| P80C32SBP N | 0 to +70, Plastic Dual In-line Package   | 16          | SOT129-1          |
| P80C32SBA A | 0 to +70, Plastic Leaded Chip Carrier    | 16          | SOT187-2          |
| P80C32SBB B | 0 to +70, Plastic Quad Flat Pack         | 16          | SOT307-2          |
| P80C32SFP N | –40 to +85, Plastic Dual In-line Package | 16          | SOT129-1          |
| P80C32SFA A | –40 to +85, Plastic Leaded Chip Carrier  | 16          | SOT187-2          |
| P80C32SFB B | –40 to +85, Plastic Quad Flat Pack       | 16          | SOT307-2          |
| P80C32UBA A | 0 to +70, Plastic Leaded Chip Carrier    | 33          | SOT187-2          |
| P80C32UBP N | 0 to +70, Plastic Dual In-line Package   | 33          | SOT129-1          |
| P80C32UBB B | 0 to +70, Plastic Quad Flat Pack         | 33          | SOT307-2          |
| P80C32UFA A | –40 to +85, Plastic Leaded Chip Carrier  | 33          | SOT187-2          |
| P80C32UFP N | –40 to +85, Plastic Dual In-line Package | 33          | SOT129-1          |
| P80C32UFB B | –40 to +85, Plastic Quad Flat Pack       | 33          | SOT307-2          |

80C51 8-bit microcontroller family  
128/256 byte RAM ROMless low voltage (2.7V–5.5V),  
low power, high speed (33 MHz)

80C31/80C32

BLOCK DIAGRAM

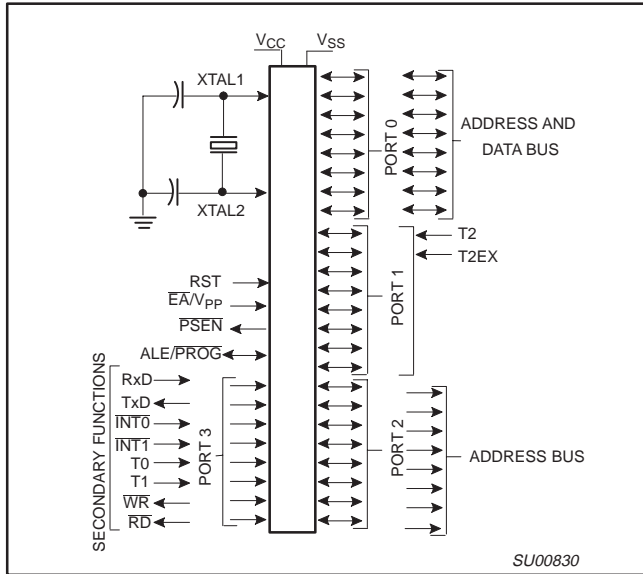


SU00845

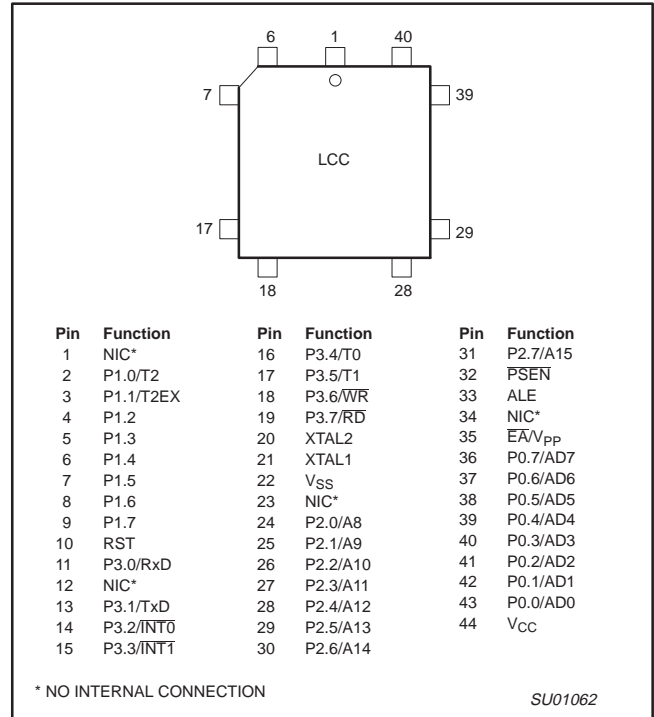
**80C51 8-bit microcontroller family**  
 128/256 byte RAM ROMless low voltage (2.7V–5.5V),  
 low power, high speed (33 MHz)

**80C31/80C32**

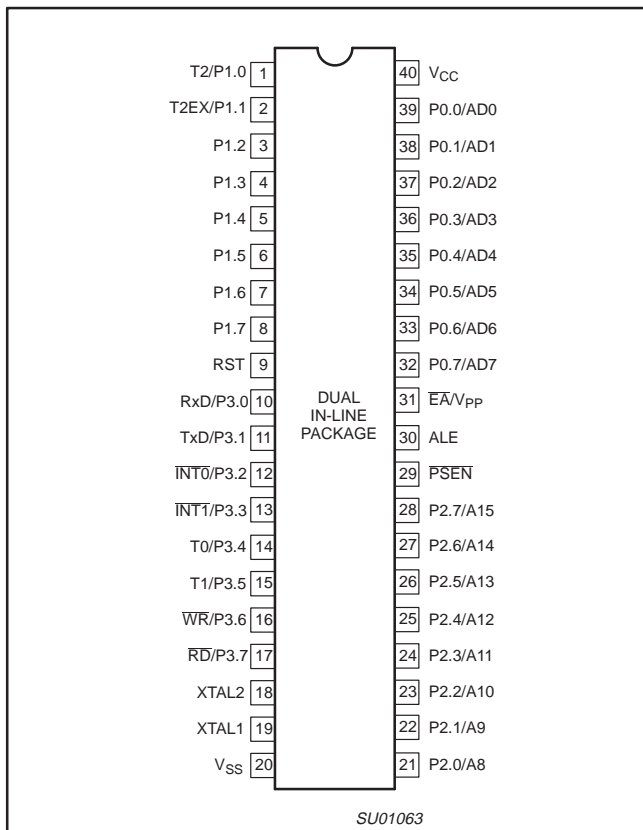
**LOGIC SYMBOL**



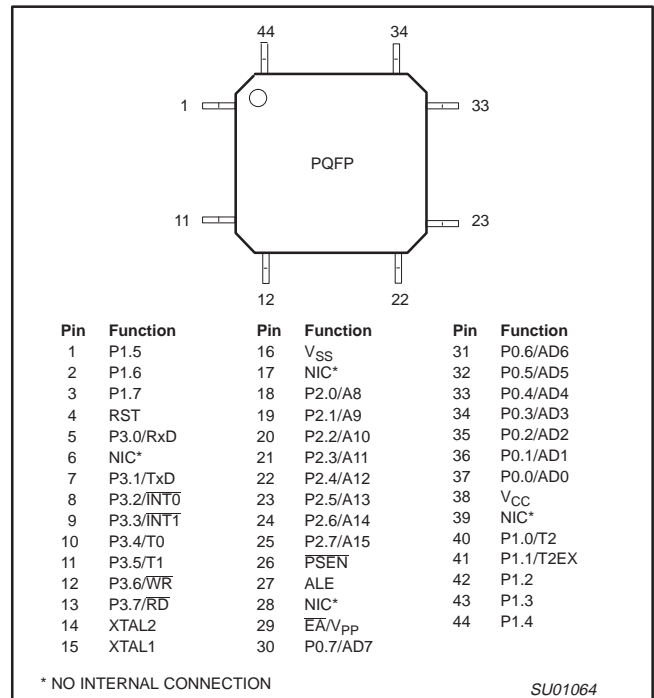
**PLASTIC LEADED CHIP CARRIER PIN FUNCTIONS**



**PIN CONFIGURATIONS**



**PLASTIC QUAD FLAT PACK PIN FUNCTIONS**



80C51 8-bit microcontroller family  
128/256 byte RAM ROMless low voltage (2.7V–5.5V),  
low power, high speed (33 MHz)

80C31/80C32

## PIN DESCRIPTIONS

| MNEMONIC                        | PIN NUMBER |              |               | TYPE | NAME AND FUNCTION  |
|---------------------------------|------------|--------------|---------------|------|--|
|                                 | DIP        | LCC          | QFP           |      |  |
| V <sub>SS</sub>                 | 20         | 22           | 16            | I    | <b>Ground:</b> 0 V reference.  |
| V <sub>CC</sub>                 | 40         | 44           | 38            | I    | <b>Power Supply:</b> This is the power supply voltage for normal, idle, and power-down operation.  |
| P0.0–P0.7                       | 39–32      | 43–36        | 37–30         | I/O  | <b>Port 0:</b> Port 0 is an open-drain, bidirectional I/O port with Schmitt trigger inputs. Port 0 pins that have 1s written to them float and can be used as high-impedance inputs. Port 0 is also the multiplexed low-order address and data bus during accesses to external program and data memory. In this application, it uses strong internal pull-ups when emitting 1s.  |
| P1.0–P1.7                       | 1–8        | 2–9          | 40–44,<br>1–3 | I/O  | <b>Port 1:</b> Port 1 is an 8-bit bidirectional I/O port with internal pull-ups and Schmitt trigger inputs. Port 1 pins that have 1s written to them are pulled high by the internal pull-ups and can be used as inputs. As inputs, port 1 pins that are externally pulled low will source current because of the internal pull-ups. (See DC Electrical Characteristics: I <sub>IL</sub> ). Alternate functions for Port 1 include:<br><b>T2 (P1.0):</b> Timer/Counter 2 external count input/clockout (see Programmable Clock-Out)<br><b>T2EX (P1.1):</b> Timer/Counter 2 Reload/Capture/Direction control  |
| P2.0–P2.7                       | 21–28      | 24–31        | 18–25         | I/O  | <b>Port 2:</b> Port 2 is an 8-bit bidirectional I/O port with internal pull-ups and Schmitt trigger inputs. Port 2 pins that have 1s written to them are pulled high by the internal pull-ups and can be used as inputs. As inputs, port 2 pins that are externally being pulled low will source current because of the internal pull-ups. (See DC Electrical Characteristics: I <sub>IL</sub> ). Port 2 emits the high-order address byte during fetches from external program memory and during accesses to external data memory that use 16-bit addresses (MOVX @DPTR). In this application, it uses strong internal pull-ups when emitting 1s. During accesses to external data memory that use 8-bit addresses (MOV @Ri), port 2 emits the contents of the P2 special function register.  |
| P3.0–P3.7                       | 10–17      | 11,<br>13–19 | 5,<br>7–13    | I/O  | <b>Port 3:</b> Port 3 is an 8-bit bidirectional I/O port with internal pull-ups and Schmitt trigger inputs. Port 3 pins that have 1s written to them are pulled high by the internal pull-ups and can be used as inputs. As inputs, port 3 pins that are externally being pulled low will source current because of the pull-ups. (See DC Electrical Characteristics: I <sub>IL</sub> ). Port 3 also serves the special features of the 80C51 family, as listed below:<br><b>RxD (P3.0):</b> Serial input port<br><b>TxD (P3.1):</b> Serial output port<br><b>INT0 (P3.2):</b> External interrupt<br><b>INT1 (P3.3):</b> External interrupt<br><b>T0 (P3.4):</b> Timer 0 external input<br><b>T1 (P3.5):</b> Timer 1 external input<br><b>WR (P3.6):</b> External data memory write strobe<br><b>RD (P3.7):</b> External data memory read strobe |
| RST                             | 9          | 10           | 4             | I    | <b>Reset:</b> A high on this pin for two machine cycles while the oscillator is running, resets the device. An internal diffused resistor to V <sub>SS</sub> permits a power-on reset using only an external capacitor to V <sub>CC</sub> .  |
| ALE                             | 30         | 33           | 27            | O    | <b>Address Latch Enable:</b> Output pulse for latching the low byte of the address during an access to external memory. In normal operation, ALE is emitted at a constant rate of 1/6 the oscillator frequency, and can be used for external timing or clocking. Note that one ALE pulse is skipped during each access to external data memory. ALE can be disabled by setting SFR auxiliary.0. With this bit set, ALE will be active only during a MOVX instruction.  |
| PSEN                            | 29         | 32           | 26            | O    | <b>Program Store Enable:</b> The read strobe to external program memory. When the 80C31/32 is executing code from the external program memory, PSEN is activated twice each machine cycle, except that two PSEN activations are skipped during each access to external data memory. PSEN is not activated during fetches from internal program memory.   |
| E <sub>A</sub> /V <sub>PP</sub> | 31         | 35           | 29            | I    | <b>External Access Enable/Programming Supply Voltage:</b> E <sub>A</sub> must be externally held low to enable the device to fetch code from external program memory locations 0000H to 0FFFH.   |
| XTAL1                           | 19         | 21           | 15            | I    | <b>Crystal 1:</b> Input to the inverting oscillator amplifier and input to the internal clock generator circuits.  |
| XTAL2                           | 18         | 20           | 14            | O    | <b>Crystal 2:</b> Output from the inverting oscillator amplifier.  |

## NOTE:

To avoid "latch-up" effect at power-on, the voltage on any pin at any time must not be higher than V<sub>CC</sub> + 0.5 V or V<sub>SS</sub> – 0.5 V, respectively.

**80C51 8-bit microcontroller family**  
 128/256 byte RAM ROMless low voltage (2.7V–5.5V),  
 low power, high speed (33 MHz)

**80C31/80C32**

**Table 1. 8XC51/80C31 Special Function Registers**

| SYMBOL             | DESCRIPTION             | DIRECT ADDRESS | BIT ADDRESS, SYMBOL, OR ALTERNATIVE PORT FUNCTION |       |      |      |                   |      |                  |        | RESET VALUE |
|--------------------|-------------------------|----------------|---|-------|------|------|-------------------|------|------------------|--------|-------------|
|                    |                         |                | MSB   |       |      |      | LSB               |      |                  |        |             |
| ACC*               | Accumulator             | E0H            | E7  | E6    | E5   | E4   | E3                | E2   | E1               | E0     | 00H         |
| AUXR#              | Auxiliary               | 8EH            | –   | –     | –    | –    | –                 | –    | –                | AO     | xxxxxxx0B   |
| AUXR1#             | Auxiliary 1             | A2H            | –   | –     | –    | –    | WUPD <sup>2</sup> | 0    | –                | DPS    | xxx000x0B   |
| B*                 | B register              | F0H            | F7  | F6    | F5   | F4   | F3                | F2   | F1               | F0     | 00H         |
| DPTR:              | Data Pointer (2 bytes)  |                |   |       |      |      |                   |      |                  |        |             |
| DPH                | Data Pointer High       | 83H            |   |       |      |      |                   |      |                  |        | 00H         |
| DPL                | Data Pointer Low        | 82H            |   |       |      |      |                   |      |                  |        | 00H         |
|                    |                         |                | AF  | AE    | AD   | AC   | AB                | AA   | A9               | A8     |             |
| IE*                | Interrupt Enable        | A8H            | EA  | –     | ET2  | ES   | ET1               | EX1  | ET0              | EX0    | 0x000000B   |
|                    |                         |                | BF  | BE    | BD   | BC   | BB                | BA   | B9               | B8     |             |
| IP*                | Interrupt Priority      | B8H            | –   | –     | PT2  | PS   | PT1               | PX1  | PT0              | PX0    | xx000000B   |
|                    |                         |                | B7  | B6    | B5   | B4   | B3                | B2   | B1               | B0     |             |
| IPH#               | Interrupt Priority High | B7H            | –   | –     | PT2H | PSH  | PT1H              | PX1H | PT0H             | PX0H   | xx000000B   |
|                    |                         |                | 87  | 86    | 85   | 84   | 83                | 82   | 81               | 80     |             |
| P0*                | Port 0                  | 80H            | AD7   | AD6   | AD5  | AD4  | AD3               | AD2  | AD1              | AD0    | FFH         |
|                    |                         |                | 97  | 96    | 95   | 94   | 93                | 92   | 91               | 90     |             |
| P1*                | Port 1                  | 90H            | –   | –     | –    | –    | –                 | –    | T2EX             | T2     | FFH         |
|                    |                         |                | A7  | A6    | A5   | A4   | A3                | A2   | A1               | A0     |             |
| P2*                | Port 2                  | A0H            | AD15  | AD14  | AD13 | AD12 | AD11              | AD10 | AD9              | AD8    | FFH         |
|                    |                         |                | B7  | B6    | B5   | B4   | B3                | B2   | B1               | B0     |             |
| P3*                | Port 3                  | B0H            | RD  | WR    | T1   | T0   | INT1              | INT0 | TxD              | RxD    | FFH         |
|                    |                         |                |   |       |      |      |                   |      |                  |        |             |
| PCON# <sup>1</sup> | Power Control           | 87H            | SMOD1   | SMOD0 | –    | POF  | GF1               | GF0  | PD               | IDL    | 00xx0000B   |
|                    |                         |                | D7  | D6    | D5   | D4   | D3                | D2   | D1               | D0     |             |
| PSW*               | Program Status Word     | D0H            | CY  | AC    | F0   | RS1  | RS0               | OV   | –                | P      | 000000x0B   |
| RACAP2H#           | Timer 2 Capture High    | CBH            |   |       |      |      |                   |      |                  |        | 00H         |
| RACAP2L#           | Timer 2 Capture Low     | CAH            |   |       |      |      |                   |      |                  |        | 00H         |
| SADDR#             | Slave Address           | A9H            |   |       |      |      |                   |      |                  |        | 00H         |
| SADEN#             | Slave Address Mask      | B9H            |   |       |      |      |                   |      |                  |        | 00H         |
| SBUF               | Serial Data Buffer      | 99H            |   |       |      |      |                   |      |                  |        | xxxxxxxxxB  |
|                    |                         |                | 9F  | 9E    | 9D   | 9C   | 9B                | 9A   | 99               | 98     |             |
| SCON*              | Serial Control          | 98H            | SM0/FE  | SM1   | SM2  | REN  | TB8               | RB8  | T1               | R1     | 00H         |
| SP                 | Stack Pointer           | 81H            |   |       |      |      |                   |      |                  |        | 07H         |
|                    |                         |                | 8F  | 8E    | 8D   | 8C   | 8B                | 8A   | 89               | 88     |             |
| TCON*              | Timer Control           | 88H            | TF1   | TR1   | TF0  | TR0  | IE1               | IT1  | IE0              | IT0    | 00H         |
|                    |                         |                | CF  | CE    | CD   | CC   | CB                | CA   | C9               | C8     |             |
| T2CON*             | Timer 2 Control         | C8H            | TF2   | EXF2  | RCLK | TCLK | EXEN2             | TR2  | C/T <sup>2</sup> | CP/RL2 | 00H         |
| T2MOD#             | Timer 2 Mode Control    | C9H            | –   | –     | –    | –    | –                 | –    | T2OE             | DCEN   | xxxxxx00B   |
| TH0                | Timer High 0            | 8CH            |   |       |      |      |                   |      |                  |        | 00H         |
| TH1                | Timer High 1            | 8DH            |   |       |      |      |                   |      |                  |        | 00H         |
| TH2#               | Timer High 2            | CDH            |   |       |      |      |                   |      |                  |        | 00H         |
| TL0                | Timer Low 0             | 8AH            |   |       |      |      |                   |      |                  |        | 00H         |
| TL1                | Timer Low 1             | 8BH            |   |       |      |      |                   |      |                  |        | 00H         |
| TL2#               | Timer Low 2             | CCH            |   |       |      |      |                   |      |                  |        | 00H         |
| TMOD               | Timer Mode              | 89H            | GATE  | C/T   | M1   | M0   | GATE              | C/T  | M1               | M0     | 00H         |

**NOTE:**

Unused register bits that are not defined should not be set by the user's program. If violated, the device could function incorrectly.

\* SFRs are bit addressable.

# SFRs are modified from or added to the 80C51 SFRs.

– Reserved bits.

1. Reset value depends on reset source.

2. Not available on 80C31.

**80C51 8-bit microcontroller family**  
 128/256 byte RAM ROMless low voltage (2.7V–5.5V),  
 low power, high speed (33 MHz)

**80C31/80C32**

**OSCILLATOR CHARACTERISTICS**

XTAL1 and XTAL2 are the input and output, respectively, of an inverting amplifier. The pins can be configured for use as an on-chip oscillator, as shown in the logic symbol.

To drive the device from an external clock source, XTAL1 should be driven while XTAL2 is left unconnected. There are no requirements on the duty cycle of the external clock signal, because the input to the internal clock circuitry is through a divide-by-two flip-flop. However, minimum and maximum high and low times specified in the data sheet must be observed.

**Reset**

A reset is accomplished by holding the RST pin high for at least two machine cycles (24 oscillator periods), while the oscillator is running. To insure a good power-up reset, the RST pin must be high long enough to allow the oscillator time to start up (normally a few milliseconds) plus two machine cycles.

**Stop Clock Mode**

The static design enables the clock speed to be reduced down to 0 MHz (stopped). When the oscillator is stopped, the RAM and Special Function Registers retain their values. This mode allows step-by-step utilization and permits reduced system power consumption by lowering the clock frequency down to any value. For lowest power consumption the Power Down mode is suggested.

**Idle Mode**

In idle mode (see Table 2), the CPU puts itself to sleep while all of the on-chip peripherals stay active. The instruction to invoke the idle mode is the last instruction executed in the normal operating mode before the idle mode is activated. The CPU contents, the on-chip RAM, and all of the special function registers remain intact during this mode. The idle mode can be terminated either by any enabled interrupt (at which time the process is picked up at the interrupt service routine and continued), or by a hardware reset which starts the processor in the same manner as a power-on reset.

**Power-Down Mode**

To save even more power, a Power Down mode (see Table 2) can be invoked by software. In this mode, the oscillator is stopped and the instruction that invoked Power Down is the last instruction executed. The on-chip RAM and Special Function Registers retain their values down to 2.0 V and care must be taken to return V<sub>CC</sub> to the minimum specified operating voltages before the Power Down Mode is terminated.

For the 80C31 or 80C32, either a hardware reset or external interrupt can be used to exit from Power Down. Reset redefines all the SFRs but does not change the on-chip RAM. An external interrupt allows both the SFRs and the on-chip RAM to retain their values. WUPD (AUXR1.3–Wakeup from Power Down) enables or disables the wakeup from power down with external interrupt. Where:

- WUPD = 0 Disable
- WUPD = 1 Enable

To properly terminate Power Down the reset or external interrupt should not be executed before V<sub>CC</sub> is restored to its normal operating level and must be held active long enough for the oscillator to restart and stabilize (normally less than 10 ms).

With an external interrupt, INT0 or INT1 must be enabled and configured as level-sensitive. Holding the pin low restarts the oscillator but bringing the pin back high completes the exit. Once the interrupt is serviced, the next instruction to be executed after RETI will be the one following the instruction that put the device into Power Down.

For the 80C31, wakeup from power down is always enabled.

**Design Consideration**

- When the idle mode is terminated by a hardware reset, the device normally resumes program execution, from where it left off, up to two machine cycles before the internal reset algorithm takes control. On-chip hardware inhibits access to internal RAM in this event, but access to the port pins is not inhibited. To eliminate the possibility of an unexpected write when Idle is terminated by reset, the instruction following the one that invokes Idle should not be one that writes to a port pin or to external memory.

**ONCE™ Mode**

The ONCE (“On-Circuit Emulation”) Mode facilitates testing and debugging of systems without the device having to be removed from the circuit. The ONCE Mode is invoked by:

1. Pull ALE low while the device is in reset and  $\overline{PSEN}$  is high;
2. Hold ALE low as RST is deactivated.

While the device is in ONCE Mode, the Port 0 pins go into a float state, and the other port pins and ALE and  $\overline{PSEN}$  are weakly pulled high. The oscillator circuit remains active. While the 80C31/32 is in this mode, an emulator or test CPU can be used to drive the circuit. Normal operation is restored when a normal reset is applied.

**Table 2. External Pin Status During Idle and Power-Down Modes**

| MODE       | PROGRAM MEMORY | ALE | $\overline{PSEN}$ | PORT 0 | PORT 1 | PORT 2  | PORT 3 |
|------------|----------------|-----|-------------------|--------|--------|---------|--------|
| Idle       | Internal       | 1   | 1                 | Data   | Data   | Data    | Data   |
| Idle       | External       | 1   | 1                 | Float  | Data   | Address | Data   |
| Power-down | Internal       | 0   | 0                 | Data   | Data   | Data    | Data   |
| Power-down | External       | 0   | 0                 | Float  | Data   | Data    | Data   |

**80C51 8-bit microcontroller family**  
 128/256 byte RAM ROMless low voltage (2.7V–5.5V),  
 low power, high speed (33 MHz)

**80C31/80C32**

**Programmable Clock-Out**

A 50% duty cycle clock can be programmed to come out on P1.0. This pin, besides being a regular I/O pin, has two alternate functions. It can be programmed:

1. to input the external clock for Timer/Counter 2, or
2. to output a 50% duty cycle clock ranging from 61 Hz to 4 MHz at a 16 MHz operating frequency.

To configure the Timer/Counter 2 as a clock generator, bit C/T2 (in T2CON) must be cleared and bit T2OE in T2MOD must be set. Bit TR2 (T2CON.2) also must be set to start the timer.

The Clock-Out frequency depends on the oscillator frequency and the reload value of Timer 2 capture registers (RCAP2H, RCAP2L) as shown in this equation:

$$\frac{\text{Oscillator Frequency}}{4 \times (65536 - \text{RCAP2H, RCAP2L})}$$

Where:

(RCAP2H,RCAP2L) = the content of RCAP2H and RCAP2L taken as a 16-bit unsigned integer.

In the Clock-Out mode Timer 2 roll-overs will not generate an interrupt. This is similar to when it is used as a baud-rate generator. It is possible to use Timer 2 as a baud-rate generator and a clock generator simultaneously. Note, however, that the baud-rate and the Clock-Out frequency will be the same.

**TIMER 2 OPERATION**

**Timer 2**

Timer 2 is a 16-bit Timer/Counter which can operate as either an event timer or an event counter, as selected by C/T2\* in the special function register T2CON (see Figure 1). Timer 2 has three operating modes: Capture, Auto-reload (up or down counting), and Baud Rate Generator, which are selected by bits in the T2CON as shown in Table 3.

**Capture Mode**

In the capture mode there are two options which are selected by bit EXEN2 in T2CON. If EXEN2=0, then timer 2 is a 16-bit timer or counter (as selected by C/T2\* in T2CON) which, upon overflowing sets bit TF2, the timer 2 overflow bit. This bit can be used to generate an interrupt (by enabling the Timer 2 interrupt bit in the IE register). If EXEN2= 1, Timer 2 operates as described above, but with the added feature that a 1- to -0 transition at external input T2EX causes the current value in the Timer 2 registers, TL2 and

TH2, to be captured into registers RCAP2L and RCAP2H, respectively. In addition, the transition at T2EX causes bit EXF2 in T2CON to be set, and EXF2 like TF2 can generate an interrupt (which vectors to the same location as Timer 2 overflow interrupt. The Timer 2 interrupt service routine can interrogate TF2 and EXF2 to determine which event caused the interrupt). The capture mode is illustrated in Figure 2 (There is no reload value for TL2 and TH2 in this mode. Even when a capture event occurs from T2EX, the counter keeps on counting T2EX pin transitions or osc/12 pulses.).

**Auto-Reload Mode (Up or Down Counter)**

In the 16-bit auto-reload mode, Timer 2 can be configured (as either a timer or counter (C/T2\* in T2CON)) then programmed to count up or down. The counting direction is determined by bit DCEN (Down Counter Enable) which is located in the T2MOD register (see Figure 3). When reset is applied the DCEN=0 which means Timer 2 will default to counting up. If DCEN bit is set, Timer 2 can count up or down depending on the value of the T2EX pin.

Figure 4 shows Timer 2 which will count up automatically since DCEN=0. In this mode there are two options selected by bit EXEN2 in T2CON register. If EXEN2=0, then Timer 2 counts up to 0FFFFH and sets the TF2 (Overflow Flag) bit upon overflow. This causes the Timer 2 registers to be reloaded with the 16-bit value in RCAP2L and RCAP2H. The values in RCAP2L and RCAP2H are preset by software means.

If EXEN2=1, then a 16-bit reload can be triggered either by an overflow or by a 1-to-0 transition at input T2EX. This transition also sets the EXF2 bit. The Timer 2 interrupt, if enabled, can be generated when either TF2 or EXF2 are 1.

In Figure 5 DCEN=1 which enables Timer 2 to count up or down. This mode allows pin T2EX to control the direction of count. When a logic 1 is applied at pin T2EX Timer 2 will count up. Timer 2 will overflow at 0FFFFH and set the TF2 flag, which can then generate an interrupt, if the interrupt is enabled. This timer overflow also causes the 16-bit value in RCAP2L and RCAP2H to be reloaded into the timer registers TL2 and TH2.

When a logic 0 is applied at pin T2EX this causes Timer 2 to count down. The timer will underflow when TL2 and TH2 become equal to the value stored in RCAP2L and RCAP2H. Timer 2 underflow sets the TF2 flag and causes 0FFFFH to be reloaded into the timer registers TL2 and TH2.

The external flag EXF2 toggles when Timer 2 underflows or overflows. This EXF2 bit can be used as a 17th bit of resolution if needed. The EXF2 flag does not generate an interrupt in this mode of operation.

**Table 3. Timer 2 Operating Modes**

| RCLK + TCLK | CP/RL2 | TR2 | MODE                |
|-------------|--------|-----|---------------------|
| 0           | 0      | 1   | 16-bit Auto-reload  |
| 0           | 1      | 1   | 16-bit Capture      |
| 1           | X      | 1   | Baud rate generator |
| X           | X      | 0   | (off)               |

**80C51 8-bit microcontroller family**  
 128/256 byte RAM ROMless low voltage (2.7V–5.5V),  
 low power, high speed (33 MHz)

**80C31/80C32**

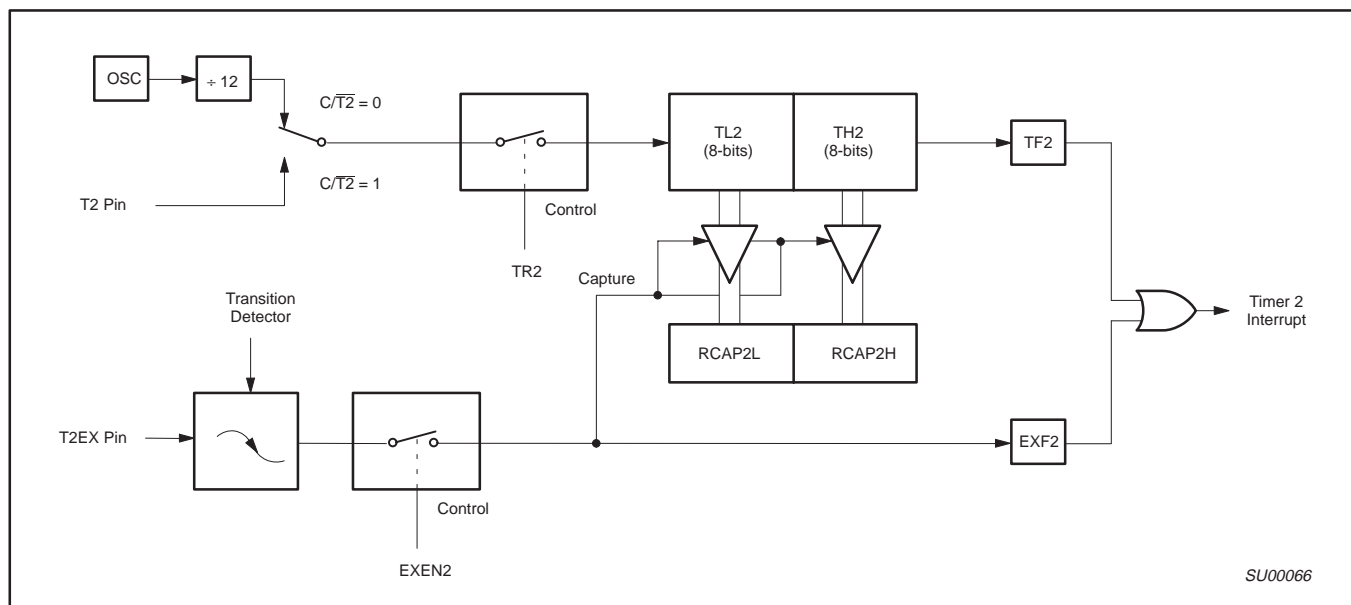
|  | (MSB) |      |      |      |       |     | (LSB)         |                 |
|--|-------|------|------|------|-------|-----|---------------|-----------------|
|  | TF2   | EXF2 | RCLK | TCLK | EXEN2 | TR2 | C/T $\bar{2}$ | CP/RL $\bar{2}$ |

| Symbol          | Position | Name and Significance  |
|-----------------|----------|--|
| TF2             | T2CON.7  | Timer 2 overflow flag set by a Timer 2 overflow and must be cleared by software. TF2 will not be set when either RCLK or TCLK = 1.   |
| EXF2            | T2CON.6  | Timer 2 external flag set when either a capture or reload is caused by a negative transition on T2EX and EXEN2 = 1. When Timer 2 interrupt is enabled, EXF2 = 1 will cause the CPU to vector to the Timer 2 interrupt routine. EXF2 must be cleared by software. EXF2 does not cause an interrupt in up/down counter mode (DCEN = 1).  |
| RCLK            | T2CON.5  | Receive clock flag. When set, causes the serial port to use Timer 2 overflow pulses for its receive clock in modes 1 and 3. RCLK = 0 causes Timer 1 overflow to be used for the receive clock.   |
| TCLK            | T2CON.4  | Transmit clock flag. When set, causes the serial port to use Timer 2 overflow pulses for its transmit clock in modes 1 and 3. TCLK = 0 causes Timer 1 overflows to be used for the transmit clock.   |
| EXEN2           | T2CON.3  | Timer 2 external enable flag. When set, allows a capture or reload to occur as a result of a negative transition on T2EX if Timer 2 is not being used to clock the serial port. EXEN2 = 0 causes Timer 2 to ignore events at T2EX.   |
| TR2             | T2CON.2  | Start/stop control for Timer 2. A logic 1 starts the timer.  |
| C/T $\bar{2}$   | T2CON.1  | Timer or counter select. (Timer 2)<br>0 = Internal timer (OSC/12)<br>1 = External event counter (falling edge triggered).  |
| CP/RL $\bar{2}$ | T2CON.0  | Capture/Reload flag. When set, captures will occur on negative transitions at T2EX if EXEN2 = 1. When cleared, auto-reloads will occur either with Timer 2 overflows or negative transitions at T2EX when EXEN2 = 1. When either RCLK = 1 or TCLK = 1, this bit is ignored and the timer is forced to auto-reload on Timer 2 overflow. |

SU00728

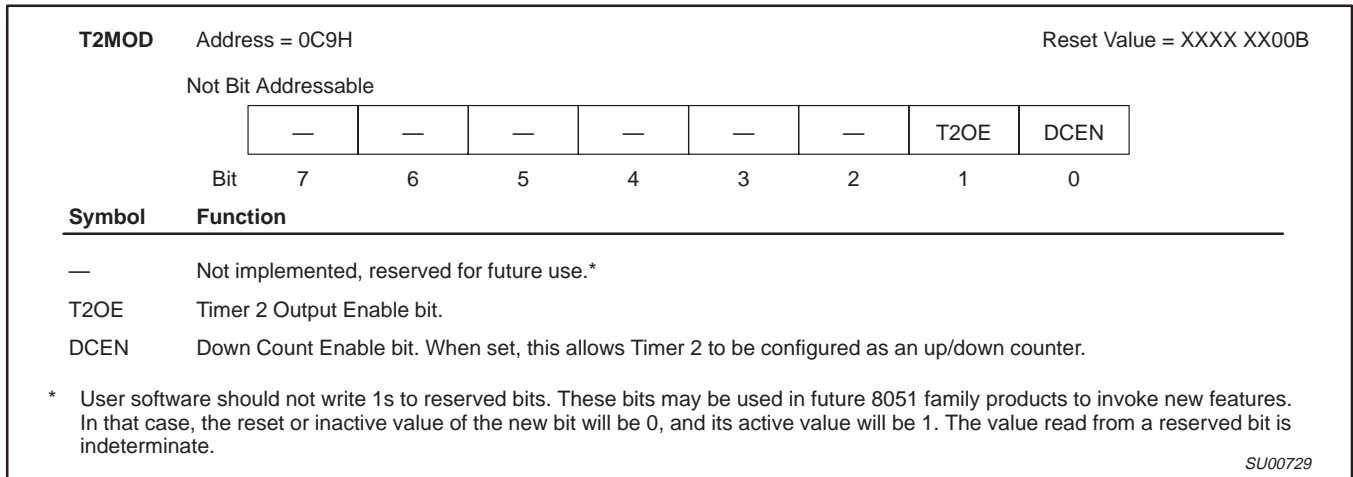
**Figure 1. Timer/Counter 2 (T2CON) Control Register**



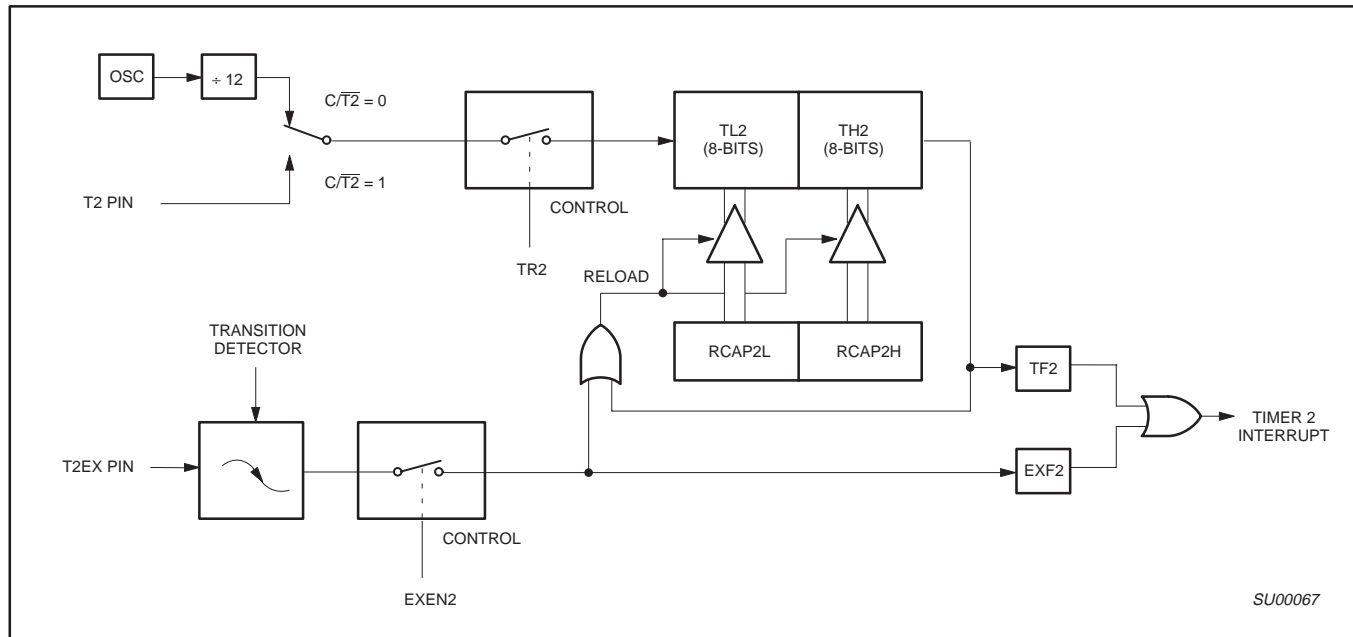
**Figure 2. Timer 2 in Capture Mode**

**80C51 8-bit microcontroller family**  
 128/256 byte RAM ROMless low voltage (2.7V–5.5V),  
 low power, high speed (33 MHz)

**80C31/80C32**



**Figure 3. Timer 2 Mode (T2MOD) Control Register**



**Figure 4. Timer 2 in Auto-Reload Mode (DCEN = 0)**

80C51 8-bit microcontroller family  
 128/256 byte RAM ROMless low voltage (2.7V–5.5V),  
 low power, high speed (33 MHz)

80C31/80C32

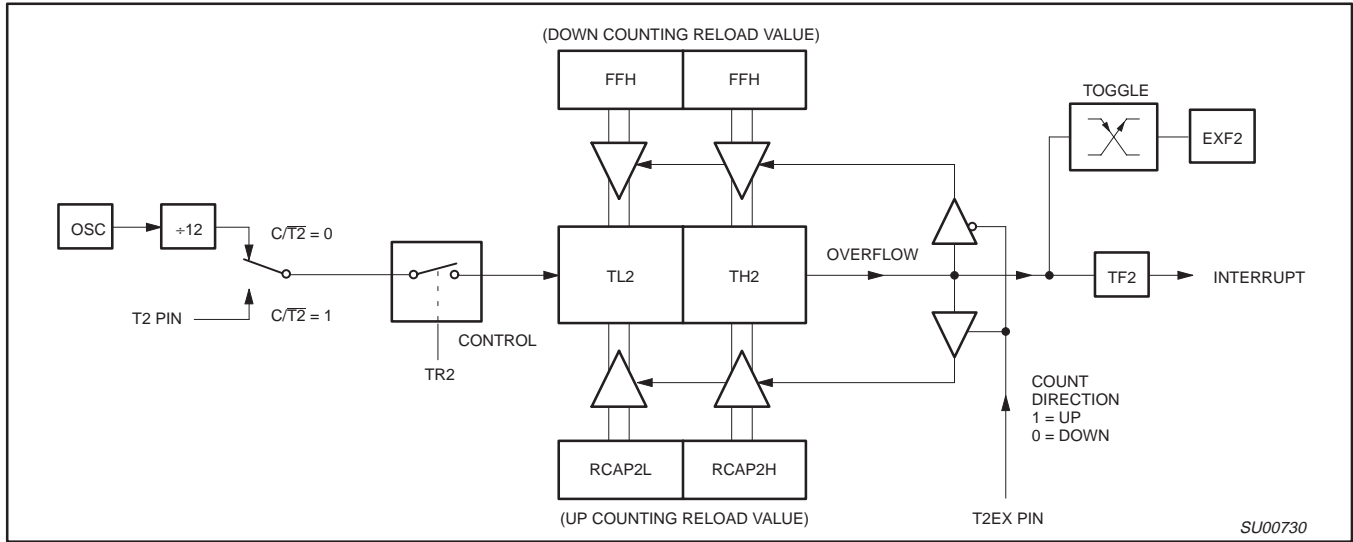


Figure 5. Timer 2 Auto Reload Mode (DCEN = 1)

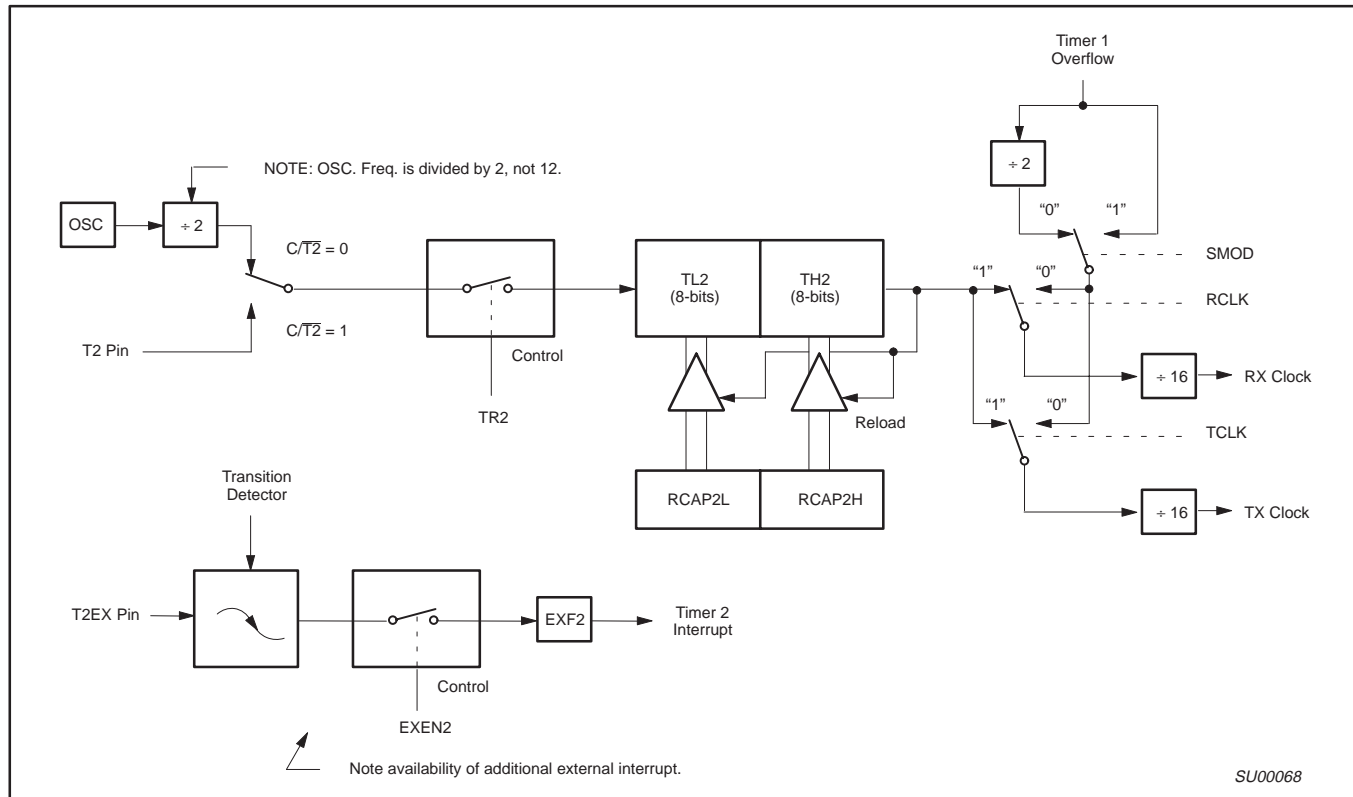


Figure 6. Timer 2 in Baud Rate Generator Mode

**80C51 8-bit microcontroller family**  
 128/256 byte RAM ROMless low voltage (2.7V–5.5V),  
 low power, high speed (33 MHz)

**80C31/80C32**

**Baud Rate Generator Mode**

Bits TCLK and/or RCLK in T2CON (Table 3) allow the serial port transmit and receive baud rates to be derived from either Timer 1 or Timer 2. When TCLK= 0, Timer 1 is used as the serial port transmit baud rate generator. When TCLK= 1, Timer 2 is used as the serial port transmit baud rate generator. RCLK has the same effect for the serial port receive baud rate. With these two bits, the serial port can have different receive and transmit baud rates – one generated by Timer 1, the other by Timer 2.

Figure 6 shows the Timer 2 in baud rate generation mode. The baud rate generation mode is like the auto-reload mode, in that a rollover in TH2 causes the Timer 2 registers to be reloaded with the 16-bit value in registers RCAP2H and RCAP2L, which are preset by software.

The baud rates in modes 1 and 3 are determined by Timer 2's overflow rate given below:

$$\text{Modes 1 and 3 Baud Rates} = \frac{\text{Timer 2 Overflow Rate}}{16}$$

The timer can be configured for either "timer" or "counter" operation. In many applications, it is configured for "timer" operation (C/T2=0). Timer operation is different for Timer 2 when it is being used as a baud rate generator.

Usually, as a timer it would increment every machine cycle (i.e., 1/12 the oscillator frequency). As a baud rate generator, it increments every state time (i.e., 1/2 the oscillator frequency). Thus the baud rate formula is as follows:

$$\text{Modes 1 and 3 Baud Rates} = \frac{\text{Oscillator Frequency}}{[32 \times [65536 - (\text{RCAP2H}, \text{RCAP2L})]]}$$

Where: (RCAP2H, RCAP2L)= The content of RCAP2H and RCAP2L taken as a 16-bit unsigned integer.

The Timer 2 as a baud rate generator mode shown in Figure 6, is valid only if RCLK and/or TCLK = 1 in T2CON register. Note that a rollover in TH2 does not set TF2, and will not generate an interrupt. Thus, the Timer 2 interrupt does not have to be disabled when Timer 2 is in the baud rate generator mode. Also if the EXEN2 (T2 external enable flag) is set, a 1-to-0 transition in T2EX (Timer/counter 2 trigger input) will set EXF2 (T2 external flag) but will not cause a reload from (RCAP2H, RCAP2L) to (TH2, TL2). Therefore when Timer 2 is in use as a baud rate generator, T2EX can be used as an additional external interrupt, if needed.

When Timer 2 is in the baud rate generator mode, one should not try to read or write TH2 and TL2. As a baud rate generator, Timer 2 is incremented every state time (osc/2) or asynchronously from pin T2;

under these conditions, a read or write of TH2 or TL2 may not be accurate. The RCAP2 registers may be read, but should not be written to, because a write might overlap a reload and cause write and/or reload errors. The timer should be turned off (clear TR2) before accessing the Timer 2 or RCAP2 registers.

Table 4 shows commonly used baud rates and how they can be obtained from Timer 2.

**Table 4. Timer 2 Generated Commonly Used Baud Rates**

| Baud Rate | Osc Freq | Timer 2 |        |
|-----------|----------|---------|--------|
|           |          | RCAP2H  | RCAP2L |
| 375 K     | 12 MHz   | FF      | FF     |
| 9.6 K     | 12 MHz   | FF      | D9     |
| 2.8 K     | 12 MHz   | FF      | B2     |
| 2.4 K     | 12 MHz   | FF      | 64     |
| 1.2 K     | 12 MHz   | FE      | C8     |
| 300       | 12 MHz   | FB      | 1E     |
| 110       | 12 MHz   | F2      | AF     |
| 300       | 6 MHz    | FD      | 8F     |
| 110       | 6 MHz    | F9      | 57     |

**Summary Of Baud Rate Equations**

Timer 2 is in baud rate generating mode. If Timer 2 is being clocked through pin T2(P1.0) the baud rate is:

$$\text{Baud Rate} = \frac{\text{Timer 2 Overflow Rate}}{16}$$

If Timer 2 is being clocked internally, the baud rate is:

$$\text{Baud Rate} = \frac{f_{\text{OSC}}}{[32 \times [65536 - (\text{RCAP2H}, \text{RCAP2L})]]}$$

Where f<sub>OSC</sub>= Oscillator Frequency

To obtain the reload value for RCAP2H and RCAP2L, the above equation can be rewritten as:

$$\text{RCAP2H, RCAP2L} = 65536 - \left( \frac{f_{\text{OSC}}}{32 \times \text{Baud Rate}} \right)$$

**Timer/Counter 2 Set-up**

Except for the baud rate generator mode, the values given for T2CON do not include the setting of the TR2 bit. Therefore, bit TR2 must be set, separately, to turn the timer on. See Table 5 for set-up of Timer 2 as a timer. Also see Table 6 for set-up of Timer 2 as a counter.

80C51 8-bit microcontroller family  
 128/256 byte RAM ROMless low voltage (2.7V–5.5V),  
 low power, high speed (33 MHz)

80C31/80C32

**Table 5. Timer 2 as a Timer**

| MODE  | T2CON                     |                           |
|---|---------------------------|---------------------------|
|   | INTERNAL CONTROL (Note 1) | EXTERNAL CONTROL (Note 2) |
| 16-bit Auto-Reload                                      | 00H                       | 08H                       |
| 16-bit Capture  | 01H                       | 09H                       |
| Baud rate generator receive and transmit same baud rate | 34H                       | 36H                       |
| Receive only  | 24H                       | 26H                       |
| Transmit only   | 14H                       | 16H                       |

**Table 6. Timer 2 as a Counter**

| MODE        | TMOD                      |                           |
|-------------|---------------------------|---------------------------|
|             | INTERNAL CONTROL (Note 1) | EXTERNAL CONTROL (Note 2) |
| 16-bit      | 02H                       | 0AH                       |
| Auto-Reload | 03H                       | 0BH                       |

**NOTES:**

1. Capture/reload occurs only on timer/counter overflow.
2. Capture/reload occurs on timer/counter overflow and a 1-to-0 transition on T2EX (P1.1) pin except when Timer 2 is used in the baud rate generator mode.

**Enhanced UART**

The UART operates in all of the usual modes that are described in the first section of *Data Handbook IC20, 80C51-Based 8-Bit Microcontrollers*. In addition the UART can perform framing error detect by looking for missing stop bits, and automatic address recognition. The 80C31/32 UART also fully supports multiprocessor communication.

When used for framing error detect the UART looks for missing stop bits in the communication. A missing bit will set the FE bit in the SCON register. The FE bit shares the SCON.7 bit with SM0 and the function of SCON.7 is determined by PCON.6 (SMOD0) (see Figure 7). If SMOD0 is set then SCON.7 functions as FE. SCON.7 functions as SM0 when SMOD0 is cleared. When used as FE SCON.7 can only be cleared by software. Refer to Figure 8.

**Automatic Address Recognition**

Automatic Address Recognition is a feature which allows the UART to recognize certain addresses in the serial bit stream by using hardware to make the comparisons. This feature saves a great deal of software overhead by eliminating the need for the software to examine every serial address which passes by the serial port. This feature is enabled by setting the SM2 bit in SCON. In the 9 bit UART modes, mode 2 and mode 3, the Receive Interrupt flag (RI) will be automatically set when the received byte contains either the "Given" address or the "Broadcast" address. The 9 bit mode requires that the 9th information bit is a 1 to indicate that the received information is an address and not data. Automatic address recognition is shown in Figure 9.

The 8 bit mode is called Mode 1. In this mode the RI flag will be set if SM2 is enabled and the information received has a valid stop bit following the 8 address bits and the information is either a Given or Broadcast address.

Mode 0 is the Shift Register mode and SM2 is ignored.

Using the Automatic Address Recognition feature allows a master to selectively communicate with one or more slaves by invoking the Given slave address or addresses. All of the slaves may be contacted by using the Broadcast address. Two special Function Registers are used to define the slave's address, SADDR, and the address mask, SADEN. SADEN is used to define which bits in the

SADDR are to be used and which bits are "don't care". The SADEN mask can be logically ANDed with the SADDR to create the "Given" address which the master will use for addressing each of the slaves. Use of the Given address allows multiple slaves to be recognized while excluding others. The following examples will help to show the versatility of this scheme:

```
Slave 0   SADDR = 1100 0000
          SADEN = 1111 1101
          Given = 1100 00X0

Slave 1   SADDR = 1100 0000
          SADEN = 1111 1110
          Given = 1100 000X
```

In the above example SADDR is the same and the SADEN data is used to differentiate between the two slaves. Slave 0 requires a 0 in bit 0 and it ignores bit 1. Slave 1 requires a 0 in bit 1 and bit 0 is ignored. A unique address for Slave 0 would be 1100 0010 since slave 1 requires a 0 in bit 1. A unique address for slave 1 would be 1100 0001 since a 1 in bit 0 will exclude slave 0. Both slaves can be selected at the same time by an address which has bit 0 = 0 (for slave 0) and bit 1 = 0 (for slave 1). Thus, both could be addressed with 1100 0000.

In a more complex system the following could be used to select slaves 1 and 2 while excluding slave 0:

```
Slave 0   SADDR = 1100 0000
          SADEN = 1111 1001
          Given = 1100 0XX0

Slave 1   SADDR = 1110 0000
          SADEN = 1111 1010
          Given = 1110 0X0X

Slave 2   SADDR = 1110 0000
          SADEN = 1111 1100
          Given = 1110 00XX
```

In the above example the differentiation among the 3 slaves is in the lower 3 address bits. Slave 0 requires that bit 0 = 0 and it can be uniquely addressed by 1110 0110. Slave 1 requires that bit 1 = 0 and it can be uniquely addressed by 1110 and 0101. Slave 2 requires that bit 2 = 0 and its unique address is 1110 0011. To select Slaves 0

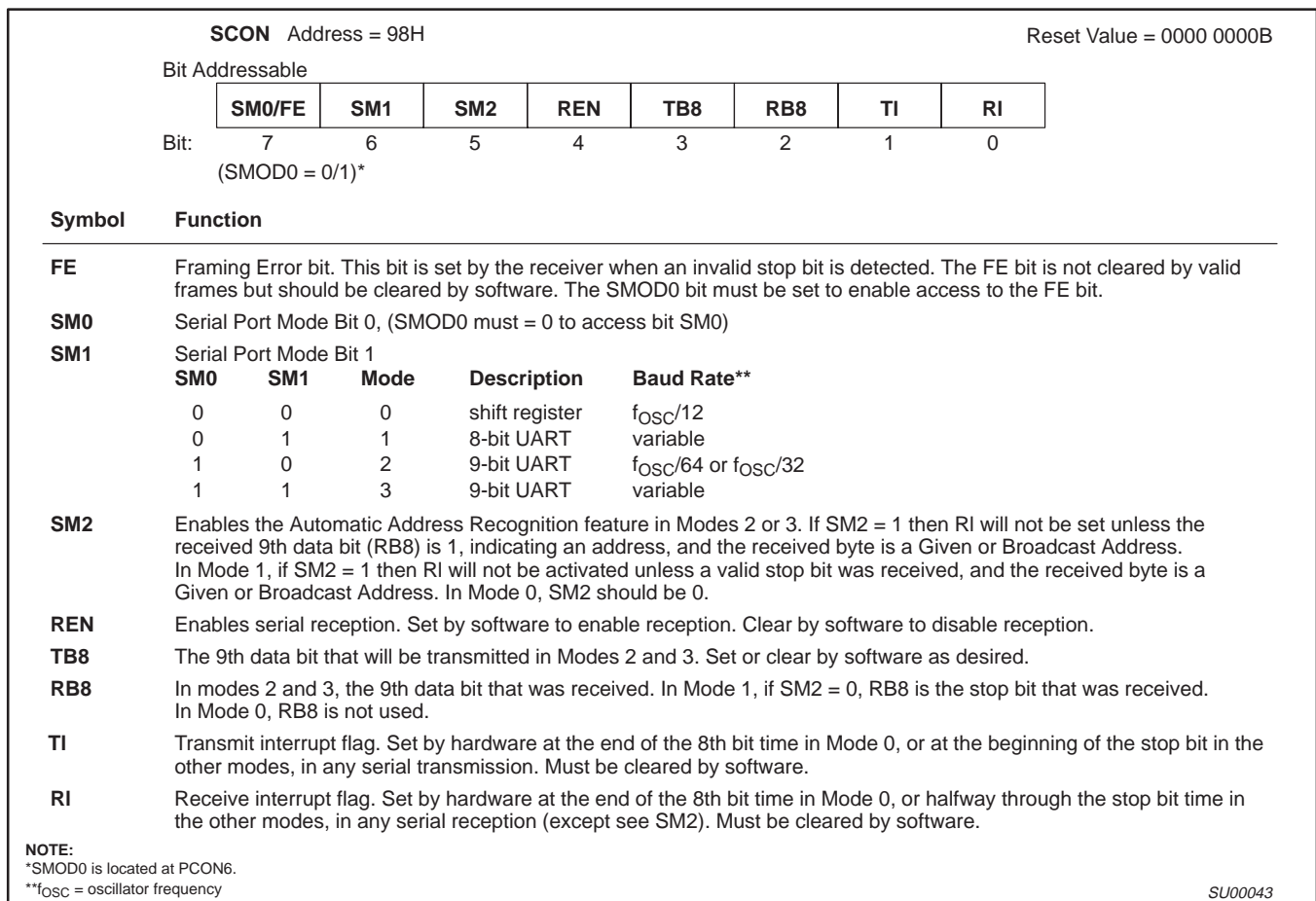
**80C51 8-bit microcontroller family**  
 128/256 byte RAM ROMless low voltage (2.7V–5.5V),  
 low power, high speed (33 MHz)

**80C31/80C32**

and 1 and exclude Slave 2 use address 1110 0100, since it is necessary to make bit 2 = 1 to exclude slave 2.

The Broadcast Address for each slave is created by taking the logical OR of SADDR and SADEN. Zeros in this result are trended as don't-cares. In most cases, interpreting the don't-cares as ones, the broadcast address will be FF hexadecimal.

Upon reset SADDR (SFR address 0A9H) and SADEN (SFR address 0B9H) are leaded with 0s. This produces a given address of all "don't cares" as well as a Broadcast address of all "don't cares". This effectively disables the Automatic Addressing mode and allows the microcontroller to use standard 80C51 type UART drivers which do not make use of this feature.

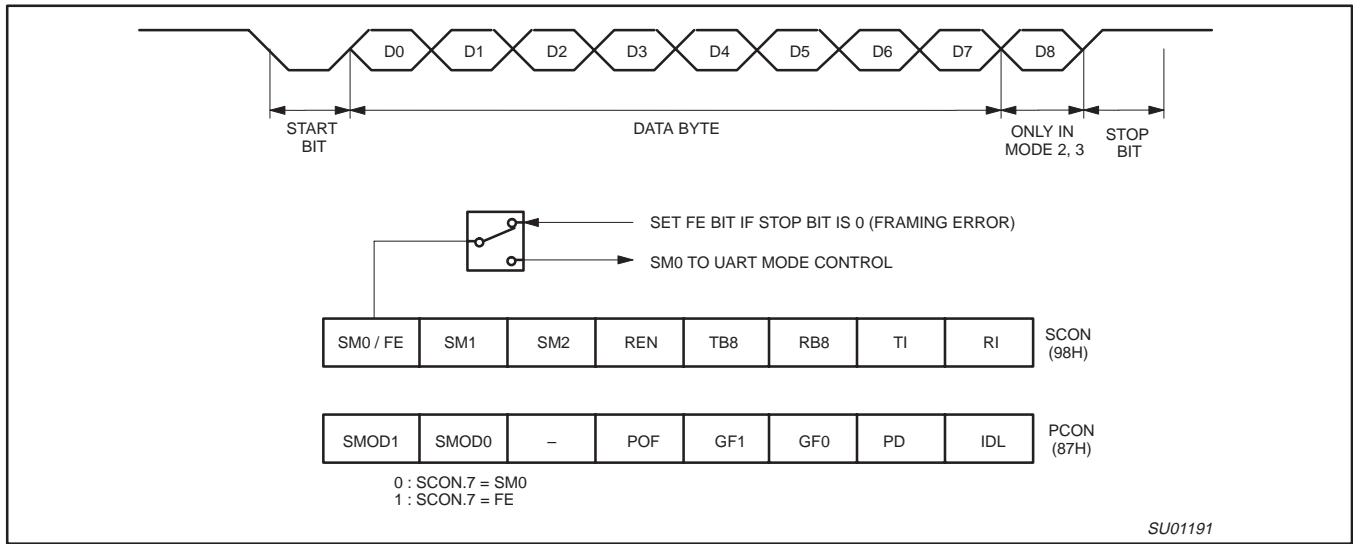


SU00043

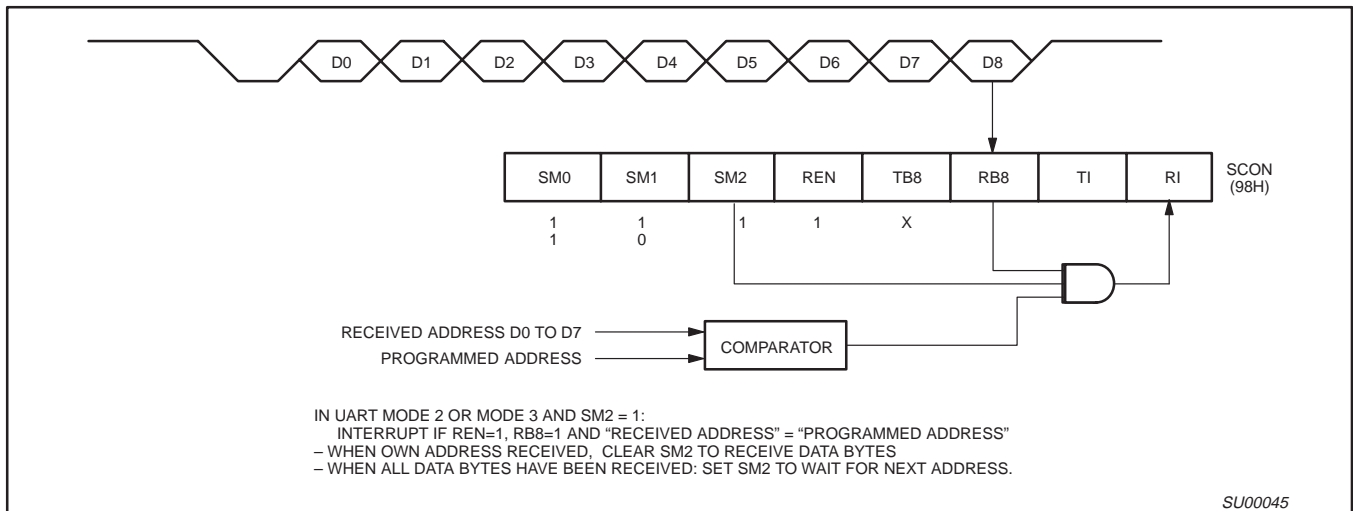
**Figure 7. SCON: Serial Port Control Register**

**80C51 8-bit microcontroller family**  
 128/256 byte RAM ROMless low voltage (2.7V–5.5V),  
 low power, high speed (33 MHz)

**80C31/80C32**



**Figure 8. UART Framing Error Detection**



**Figure 9. UART Multiprocessor Communication, Automatic Address Recognition**

**80C51 8-bit microcontroller family**  
 128/256 byte RAM ROMless low voltage (2.7V–5.5V),  
 low power, high speed (33 MHz)

**80C31/80C32**

**Interrupt Priority Structure**

The 80C31 and 80C32 have a 6-source four-level interrupt structure. They are the IE, IP and IPH. (See Figures 10, 11, and 12.) The IPH (Interrupt Priority High) register that makes the four-level interrupt structure possible. The IPH is located at SFR address B7H. The structure of the IPH register and a description of its bits is shown in Figure 12.

An interrupt will be serviced as long as an interrupt of equal or higher priority is not already being serviced. If an interrupt of equal or higher level priority is being serviced, the new interrupt will wait until it is finished before being serviced. If a lower priority level interrupt is being serviced, it will be stopped and the new interrupt serviced. When the new interrupt is finished, the lower priority level interrupt that was stopped will be completed.

The function of the IPH SFR is simple and when combined with the IP SFR determines the priority of each interrupt. The priority of each interrupt is determined as shown in the following table:

| PRIORITY BITS |      | INTERRUPT PRIORITY LEVEL   |
|---------------|------|----------------------------|
| IPH.x         | IP.x |                            |
| 0             | 0    | Level 0 (lowest priority)  |
| 0             | 1    | Level 1                    |
| 1             | 0    | Level 2                    |
| 1             | 1    | Level 3 (highest priority) |

**Table 7. Interrupt Table**

| SOURCE | POLLING PRIORITY | REQUEST BITS | HARDWARE CLEAR?                       | VECTOR ADDRESS |
|--------|------------------|--------------|---------------------------------------|----------------|
| X0     | 1                | IE0          | N (L) <sup>1</sup> Y (T) <sup>2</sup> | 03H            |
| T0     | 2                | TP0          | Y                                     | 0BH            |
| X1     | 3                | IE1          | N (L) Y (T)                           | 13H            |
| T1     | 4                | TF1          | Y                                     | 1BH            |
| SP     | 5                | RI, TI       | N                                     | 23H            |
| T2     | 6                | TF2, EXF2    | N                                     | 2BH            |

**NOTES:**

- 1. L = Level activated
- 2. T = Transition activated

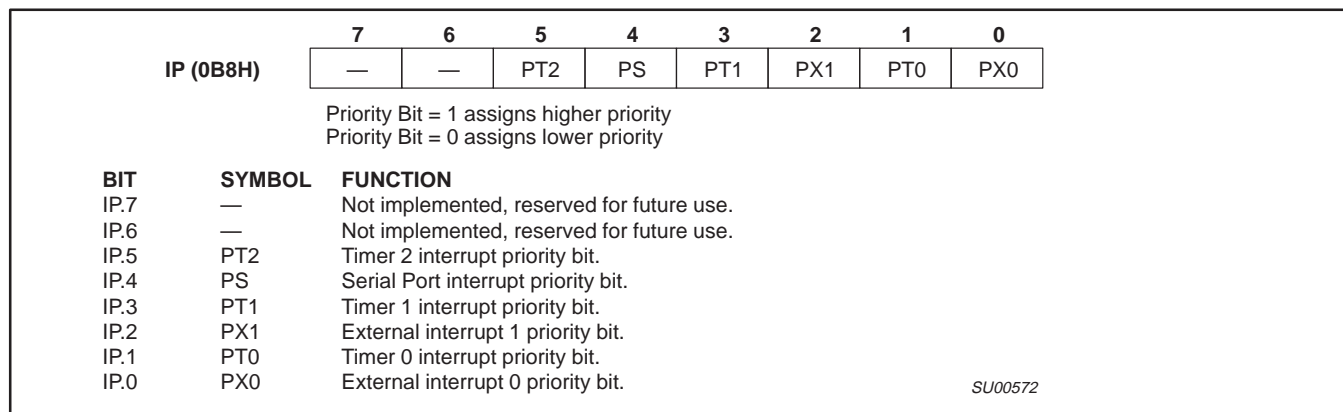
|                  |               | 7  | 6 | 5   | 4  | 3   | 2   | 1   | 0   |
|------------------|---------------|--|---|-----|----|-----|-----|-----|-----|
| <b>IE (0A8H)</b> |               | EA   | — | ET2 | ES | ET1 | EX1 | ET0 | EX0 |
|                  |               | Enable Bit = 1 enables the interrupt.<br>Enable Bit = 0 disables it.   |   |     |    |     |     |     |     |
| <b>BIT</b>       | <b>SYMBOL</b> | <b>FUNCTION</b>  |   |     |    |     |     |     |     |
| IE.7             | EA            | Global disable bit. If EA = 0, all interrupts are disabled. If EA = 1, each interrupt can be individually enabled or disabled by setting or clearing its enable bit. |   |     |    |     |     |     |     |
| IE.6             | —             | Not implemented. Reserved for future use.  |   |     |    |     |     |     |     |
| IE.5             | ET2           | Timer 2 interrupt enable bit.  |   |     |    |     |     |     |     |
| IE.4             | ES            | Serial Port interrupt enable bit.  |   |     |    |     |     |     |     |
| IE.3             | ET1           | Timer 1 interrupt enable bit.  |   |     |    |     |     |     |     |
| IE.2             | EX1           | External interrupt 1 enable bit.   |   |     |    |     |     |     |     |
| IE.1             | ET0           | Timer 0 interrupt enable bit.  |   |     |    |     |     |     |     |
| IE.0             | EX0           | External interrupt 0 enable bit.   |   |     |    |     |     |     |     |

SU00571

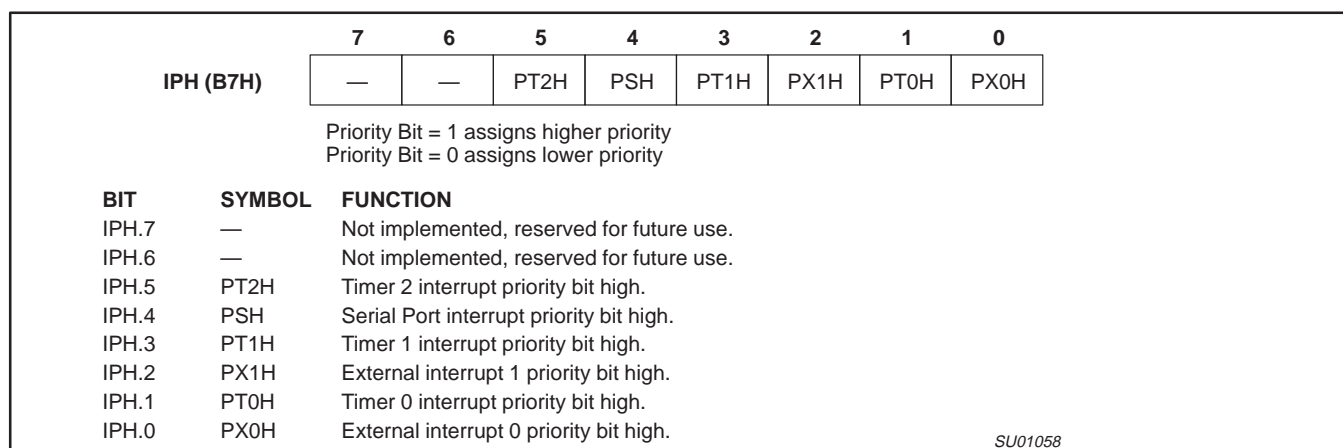
**Figure 10. IE Registers**

**80C51 8-bit microcontroller family**  
 128/256 byte RAM ROMless low voltage (2.7V–5.5V),  
 low power, high speed (33 MHz)

**80C31/80C32**



**Figure 11. IP Registers**



**Figure 12. IPH Registers**

**80C51 8-bit microcontroller family**  
 128/256 byte RAM ROMless low voltage (2.7V–5.5V),  
 low power, high speed (33 MHz)

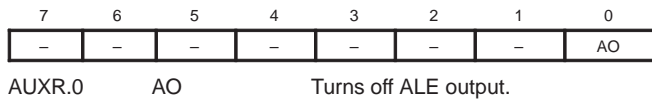
**80C31/80C32**

**Reduced EMI Mode**

The AO bit (AUXR.0) in the AUXR register when set disables the ALE output.

**Reduced EMI Mode**

**AUXR (8EH)**



**Dual DPTR**

The dual DPTR structure (see Figure 13) enables a way to specify the address of an external data memory location. There are two 16-bit DPTR registers that address the external memory, and a single bit called DPS = AUXR1/bit0 that allows the program code to switch between them.

- New Register Name: AUXR1#
- SFR Address: A2H
- Reset Value: xxx000x0B

**AUXR1 (A2H)**



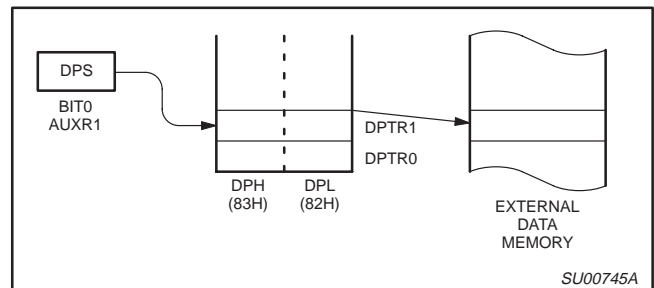
Where:

DPS = AUXR1/bit0 = Switches between DPTR0 and DPTR1.

| Select Reg | DPS |
|------------|-----|
| DPTR0      | 0   |
| DPTR1      | 1   |

The DPS bit status should be saved by software when switching between DPTR0 and DPTR1.

Note that bit 2 is not writable and is always read as a zero. This allows the DPS bit to be quickly toggled simply by executing an INC DPTR instruction without affecting the WOPD or LPEP bits.



**Figure 13.**

**DPTR Instructions**

The instructions that refer to DPTR refer to the data pointer that is currently selected using the AUXR1/bit 0 register. The six instructions that use the DPTR are as follows:

|                   |   |
|-------------------|---|
| INC DPTR          | Increments the data pointer by 1          |
| MOV DPTR, #data16 | Loads the DPTR with a 16-bit constant     |
| MOV A, @ A+DPTR   | Move code byte relative to DPTR to ACC    |
| MOVX A, @ DPTR    | Move external RAM (16-bit address) to ACC |
| MOVX @ DPTR, A    | Move ACC to external RAM (16-bit address) |
| JMP @ A + DPTR    | Jump indirect relative to DPTR            |

The data pointer can be accessed on a byte-by-byte basis by specifying the low or high byte in an instruction which accesses the SFRs. See application note AN458 for more details.

80C51 8-bit microcontroller family  
 128/256 byte RAM ROMless low voltage (2.7V–5.5V),  
 low power, high speed (33 MHz)

80C31/80C32

**ABSOLUTE MAXIMUM RATINGS**<sup>1, 2, 3</sup>

| PARAMETER  | RATING                 | UNIT |
|--|------------------------|------|
| Operating temperature under bias   | 0 to +70 or –40 to +85 | °C   |
| Storage temperature range  | –65 to +150            | °C   |
| Voltage on $\overline{EA}$ pin to $V_{SS}$   | 0 to +13.0             | V    |
| Voltage on any other pin to $V_{SS}$   | –0.5 to +6.5           | V    |
| Maximum $I_{OL}$ per I/O pin   | 15                     | mA   |
| Power dissipation (based on package heat transfer limitations, not device power consumption) | 1.5                    | W    |

**NOTES:**

- Stresses above those listed under Absolute Maximum Ratings may cause permanent damage to the device. This is a stress rating only and functional operation of the device at these or any conditions other than those described in the AC and DC Electrical Characteristics section of this specification is not implied.
- This product includes circuitry specifically designed for the protection of its internal devices from the damaging effects of excessive static charge. Nonetheless, it is suggested that conventional precautions be taken to avoid applying greater than the rated maximum.
- Parameters are valid over operating temperature range unless otherwise specified. All voltages are with respect to  $V_{SS}$  unless otherwise noted.

**AC ELECTRICAL CHARACTERISTICS**

$T_{amb} = 0^{\circ}\text{C}$  to  $+70^{\circ}\text{C}$  or  $-40^{\circ}\text{C}$  to  $+85^{\circ}\text{C}$

| SYMBOL       | FIGURE | PARAMETER   | CLOCK FREQUENCY RANGE –f |     | UNIT |
|--------------|--------|---|--------------------------|-----|------|
|              |        |   | MIN                      | MAX |      |
| $1/t_{CLCL}$ | 29     | Oscillator frequency<br>Speed versions : S (16 MHz)<br>U (33 MHz) | 0                        | 16  | MHz  |
|              |        |   | 0                        | 33  | MHz  |

80C51 8-bit microcontroller family  
128/256 byte RAM ROMless low voltage (2.7V–5.5V),  
low power, high speed (33 MHz)

80C31/80C32

**DC ELECTRICAL CHARACTERISTICS**

$T_{amb} = 0^{\circ}\text{C}$  to  $+70^{\circ}\text{C}$  or  $-40^{\circ}\text{C}$  to  $+85^{\circ}\text{C}$ ,  $V_{CC} = 2.7\text{ V}$  to  $5.5\text{ V}$ ,  $V_{SS} = 0\text{ V}$  (16 MHz devices)

| SYMBOL           | PARAMETER  | TEST CONDITIONS   | LIMITS                   |                  |                          | UNIT |
|------------------|--|---|--------------------------|------------------|--------------------------|------|
|                  |  |   | MIN                      | TYP <sup>1</sup> | MAX                      |      |
| V <sub>IL</sub>  | Input low voltage  | 4.0 V < V <sub>CC</sub> < 5.5 V   | -0.5                     |                  | 0.2 V <sub>CC</sub> -0.1 | V    |
|                  |  | 2.7 V < V <sub>CC</sub> < 4.0 V   | -0.5                     |                  | 0.7                      | V    |
| V <sub>IH</sub>  | Input high voltage (ports 0, 1, 2, 3, EA)  |   | 0.2 V <sub>CC</sub> +0.9 |                  | V <sub>CC</sub> +0.5     | V    |
| V <sub>IH1</sub> | Input high voltage, XTAL1, RST   |   | 0.7 V <sub>CC</sub>      |                  | V <sub>CC</sub> +0.5     | V    |
| V <sub>OL</sub>  | Output low voltage, ports 1, 2, <sup>8</sup>   | V <sub>CC</sub> = 2.7 V<br>I <sub>OL</sub> = 1.6 mA <sup>2</sup>                      |                          |                  | 0.4                      | V    |
| V <sub>OL1</sub> | Output low voltage, port 0, ALE, PSEN <sup>8, 7</sup>  | V <sub>CC</sub> = 2.7 V<br>I <sub>OL</sub> = 3.2 mA <sup>2</sup>                      |                          |                  | 0.4                      | V    |
| V <sub>OH</sub>  | Output high voltage, ports 1, 2, 3 <sup>3</sup>  | V <sub>CC</sub> = 2.7 V<br>I <sub>OH</sub> = -20 μA                                   | V <sub>CC</sub> - 0.7    |                  |                          | V    |
|                  |  | V <sub>CC</sub> = 4.5 V<br>I <sub>OH</sub> = -30 μA                                   | V <sub>CC</sub> - 0.7    |                  |                          | V    |
| V <sub>OH1</sub> | Output high voltage (port 0 in external bus mode), ALE <sup>9</sup> , PSEN <sup>3</sup>  | V <sub>CC</sub> = 2.7 V<br>I <sub>OH</sub> = -3.2 mA                                  | V <sub>CC</sub> - 0.7    |                  |                          | V    |
| I <sub>IL</sub>  | Logical 0 input current, ports 1, 2, 3   | V <sub>IN</sub> = 0.4 V   | -1                       |                  | -50                      | μA   |
| I <sub>TL</sub>  | Logical 1-to-0 transition current, ports 1, 2, 3 <sup>6</sup>  | V <sub>IN</sub> = 2.0 V<br>See note 4   |                          |                  | -650                     | μA   |
| I <sub>LI</sub>  | Input leakage current, port 0  | 0.45 < V <sub>IN</sub> < V <sub>CC</sub> - 0.3  |                          |                  | ±10                      | μA   |
| I <sub>CC</sub>  | Power supply current (see Figure 21):<br>Active mode @ 16 MHz<br>Idle mode @ 16 MHz<br>Power-down mode or clock stopped (see Figure 25 for conditions) | See note 5<br><br>T <sub>amb</sub> = 0°C to 70°C<br>T <sub>amb</sub> = -40°C to +85°C |                          | 3                |                          | μA   |
|                  |  |   |                          |                  | 50                       | μA   |
|                  |  |   |                          |                  | 75                       | μA   |
| R <sub>RST</sub> | Internal reset pull-down resistor  |   | 40                       |                  | 225                      | kΩ   |
| C <sub>IO</sub>  | Pin capacitance <sup>10</sup> (except EA)  |   |                          |                  | 15                       | pF   |

**NOTES:**

- Typical ratings are not guaranteed. The values listed are at room temperature, 5 V.
- Capacitive loading on ports 0 and 2 may cause spurious noise to be superimposed on the V<sub>OL</sub>s of ALE and ports 1 and 3. The noise is due to external bus capacitance discharging into the port 0 and port 2 pins when these pins make 1-to-0 transitions during bus operations. In the worst cases (capacitive loading > 100 pF), the noise pulse on the ALE pin may exceed 0.8 V. In such cases, it may be desirable to qualify ALE with a Schmitt Trigger, or use an address latch with a Schmitt Trigger STROBE input. I<sub>OL</sub> can exceed these conditions provided that no single output sinks more than 5 mA and no more than two outputs exceed the test conditions.
- Capacitive loading on ports 0 and 2 may cause the V<sub>OH</sub> on ALE and PSEN to momentarily fall below the V<sub>CC</sub>-0.7 specification when the address bits are stabilizing.
- Pins of ports 1, 2 and 3 source a transition current when they are being externally driven from 1 to 0. The transition current reaches its maximum value when V<sub>IN</sub> is approximately 2 V.
- See Figures 22 through 25 for I<sub>CC</sub> test conditions.  
Active mode: I<sub>CC</sub> = 0.9 × FREQ. + 1.1 mA  
Idle mode: I<sub>CC</sub> = 0.18 × FREQ. + 1.01 mA; See Figure 21.
- This value applies to T<sub>amb</sub> = 0°C to +70°C. For T<sub>amb</sub> = -40°C to +85°C, I<sub>TL</sub> = -750 μA.
- Load capacitance for port 0, ALE, and PSEN = 100 pF, load capacitance for all other outputs = 80 pF.
- Under steady state (non-transient) conditions, I<sub>OL</sub> must be externally limited as follows:  
Maximum I<sub>OL</sub> per port pin: 15 mA (\*NOTE: This is 85°C specification.)  
Maximum I<sub>OL</sub> per 8-bit port: 26 mA  
Maximum total I<sub>OL</sub> for all outputs: 71 mA  
If I<sub>OL</sub> exceeds the test condition, V<sub>OL</sub> may exceed the related specification. Pins are not guaranteed to sink current greater than the listed test conditions.
- ALE is tested to V<sub>OH1</sub>, except when ALE is off then V<sub>OH</sub> is the voltage specification.
- Pin capacitance is characterized but not tested. Pin capacitance is less than 25 pF.

80C51 8-bit microcontroller family  
128/256 byte RAM ROMless low voltage (2.7V–5.5V),  
low power, high speed (33 MHz)

80C31/80C32

**DC ELECTRICAL CHARACTERISTICS**

$T_{amb} = 0^{\circ}\text{C}$  to  $+70^{\circ}\text{C}$  or  $-40^{\circ}\text{C}$  to  $+85^{\circ}\text{C}$ , 33 MHz devices;  $5\text{ V} \pm 10\%$ ;  $V_{SS} = 0\text{ V}$

| SYMBOL    | PARAMETER  | TEST CONDITIONS   | LIMITS             |                  |                    | UNIT                           |
|-----------|--|---|--------------------|------------------|--------------------|--------------------------------|
|           |  |   | MIN                | TYP <sup>1</sup> | MAX                |                                |
| $V_{IL}$  | Input low voltage  | $4.5\text{ V} < V_{CC} < 5.5\text{ V}$  | -0.5               |                  | $0.2 V_{CC} - 0.1$ | V                              |
| $V_{IH}$  | Input high voltage (ports 0, 1, 2, 3, E $\bar{A}$ )  |   | $0.2 V_{CC} + 0.9$ |                  | $V_{CC} + 0.5$     | V                              |
| $V_{IH1}$ | Input high voltage, XTAL1, RST   |   | $0.7 V_{CC}$       |                  | $V_{CC} + 0.5$     | V                              |
| $V_{OL}$  | Output low voltage, ports 1, 2, 3 <sup>8</sup>   | $V_{CC} = 4.5\text{ V}$<br>$I_{OL} = 1.6\text{ mA}^2$   |                    |                  | 0.4                | V                              |
| $V_{OL1}$ | Output low voltage, port 0, ALE, PSEN <sup>7, 8</sup>  | $V_{CC} = 4.5\text{ V}$<br>$I_{OL} = 3.2\text{ mA}^2$   |                    |                  | 0.4                | V                              |
| $V_{OH}$  | Output high voltage, ports 1, 2, 3 <sup>3</sup>  | $V_{CC} = 4.5\text{ V}$<br>$I_{OH} = -30\mu\text{A}$  | $V_{CC} - 0.7$     |                  |                    | V                              |
| $V_{OH1}$ | Output high voltage (port 0 in external bus mode), ALE <sup>9</sup> , PSEN <sup>3</sup>  | $V_{CC} = 4.5\text{ V}$<br>$I_{OH} = -3.2\text{ mA}$  | $V_{CC} - 0.7$     |                  |                    | V                              |
| $I_{IL}$  | Logical 0 input current, ports 1, 2, 3   | $V_{IN} = 0.4\text{ V}$   | -1                 |                  | -50                | $\mu\text{A}$                  |
| $I_{TL}$  | Logical 1-to-0 transition current, ports 1, 2, 3 <sup>6</sup>  | $V_{IN} = 2.0\text{ V}$<br>See note 4   |                    |                  | -650               | $\mu\text{A}$                  |
| $I_{LI}$  | Input leakage current, port 0  | $0.45 < V_{IN} < V_{CC} - 0.3$  |                    |                  | $\pm 10$           | $\mu\text{A}$                  |
| $I_{CC}$  | Power supply current (see Figure 21):<br>Active mode (see Note 5)<br>Idle mode (see Note 5)<br>Power-down mode or clock stopped (see Figure 25 for conditions) | See note 5<br><br>$T_{amb} = 0^{\circ}\text{C}$ to $70^{\circ}\text{C}$<br>$T_{amb} = -40^{\circ}\text{C}$ to $+85^{\circ}\text{C}$ |                    | 3                | 50<br>75           | $\mu\text{A}$<br>$\mu\text{A}$ |
| $R_{RST}$ | Internal reset pull-down resistor  |   | 40                 |                  | 225                | k $\Omega$                     |
| $C_{IO}$  | Pin capacitance <sup>10</sup> (except E $\bar{A}$ )  |   |                    |                  | 15                 | pF                             |

**NOTES:**

- Typical ratings are not guaranteed. The values listed are at room temperature, 5 V.
- Capacitive loading on ports 0 and 2 may cause spurious noise to be superimposed on the  $V_{OL}$ s of ALE and ports 1 and 3. The noise is due to external bus capacitance discharging into the port 0 and port 2 pins when these pins make 1-to-0 transitions during bus operations. In the worst cases (capacitive loading  $> 100\text{ pF}$ ), the noise pulse on the ALE pin may exceed 0.8 V. In such cases, it may be desirable to qualify ALE with a Schmitt Trigger, or use an address latch with a Schmitt Trigger STROBE input.  $I_{OL}$  can exceed these conditions provided that no single output sinks more than 5mA and no more than two outputs exceed the test conditions.
- Capacitive loading on ports 0 and 2 may cause the  $V_{OH}$  on ALE and PSEN to momentarily fall below the  $V_{CC} - 0.7$  specification when the address bits are stabilizing.
- Pins of ports 1, 2 and 3 source a transition current when they are being externally driven from 1 to 0. The transition current reaches its maximum value when  $V_{IN}$  is approximately 2 V.
- See Figures 22 through 25 for  $I_{CC}$  test conditions.  
Active mode:  $I_{CC(MAX)} = 0.9 \times \text{FREQ.} + 1.1\text{ mA}$   
Idle mode:  $I_{CC(MAX)} = 0.18 \times \text{FREQ.} + 1.0\text{ mA}$ ; See Figure 21.
- This value applies to  $T_{amb} = 0^{\circ}\text{C}$  to  $+70^{\circ}\text{C}$ . For  $T_{amb} = -40^{\circ}\text{C}$  to  $+85^{\circ}\text{C}$ ,  $I_{TL} = -750\mu\text{A}$ .
- Load capacitance for port 0, ALE, and PSEN = 100 pF, load capacitance for all other outputs = 80 pF.
- Under steady state (non-transient) conditions,  $I_{OL}$  must be externally limited as follows:  
Maximum  $I_{OL}$  per port pin: 15 mA (\*NOTE: This is 85°C specification.)  
Maximum  $I_{OL}$  per 8-bit port: 26 mA  
Maximum total  $I_{OL}$  for all outputs: 71 mA  
If  $I_{OL}$  exceeds the test condition,  $V_{OL}$  may exceed the related specification. Pins are not guaranteed to sink current greater than the listed test conditions.
- ALE is tested to  $V_{OH1}$ , except when ALE is off then  $V_{OH}$  is the voltage specification.
- Pin capacitance is characterized but not tested. Pin capacitance is less than 25 pF. Pin capacitance of ceramic package is less than 15 pF (except E $\bar{A}$  is 25 pF).

80C51 8-bit microcontroller family  
128/256 byte RAM ROMless low voltage (2.7V–5.5V),  
low power, high speed (33 MHz)

80C31/80C32

**AC ELECTRICAL CHARACTERISTICS**
 $T_{amb} = 0^{\circ}\text{C to } +70^{\circ}\text{C or } -40^{\circ}\text{C to } +85^{\circ}\text{C}, V_{CC} = +2.7\text{ V to } +5.5\text{ V}, V_{SS} = 0\text{ V}^{1, 2, 3}$ 

| SYMBOL                | FIGURE | PARAMETER   | 16 MHz CLOCK |     | VARIABLE CLOCK   |                     | UNIT |
|-----------------------|--------|---|--------------|-----|------------------|---------------------|------|
|                       |        |   | MIN          | MAX | MIN              | MAX                 |      |
| $1/t_{CLCL}$          | 14     | Oscillator frequency <sup>5</sup><br>Speed versions :S                    |              |     | 3.5              | 16                  | MHz  |
| $t_{LHLL}$            | 14     | ALE pulse width   | 85           |     | $2t_{CLCL}-40$   |                     | ns   |
| $t_{AVLL}$            | 14     | Address valid to ALE low  | 22           |     | $t_{CLCL}-40$    |                     | ns   |
| $t_{LLAX}$            | 14     | Address hold after ALE low  | 32           |     | $t_{CLCL}-30$    |                     | ns   |
| $t_{LLIV}$            | 14     | ALE low to valid instruction in   |              | 150 |                  | $4t_{CLCL}-100$     | ns   |
| $t_{LLPL}$            | 14     | ALE low to $\overline{\text{PSEN}}$ low                                   | 32           |     | $t_{CLCL}-30$    |                     | ns   |
| $t_{PLPH}$            | 14     | $\overline{\text{PSEN}}$ pulse width                                      | 142          |     | $3t_{CLCL}-45$   |                     | ns   |
| $t_{PLIV}$            | 14     | $\overline{\text{PSEN}}$ low to valid instruction in                      |              | 82  |                  | $3t_{CLCL}-105$     | ns   |
| $t_{PXIX}$            | 14     | Input instruction hold after $\overline{\text{PSEN}}$                     | 0            |     | 0                |                     | ns   |
| $t_{PXIZ}$            | 14     | Input instruction float after $\overline{\text{PSEN}}$                    |              | 37  |                  | $t_{CLCL}-25$       | ns   |
| $t_{AVIV}^4$          | 14     | Address to valid instruction in   |              | 207 |                  | $5t_{CLCL}-105$     | ns   |
| $t_{PLAZ}$            | 14     | $\overline{\text{PSEN}}$ low to address float                             |              | 10  |                  | 10                  | ns   |
| <b>Data Memory</b>    |        |   |              |     |                  |                     |      |
| $t_{RLRH}$            | 15, 16 | $\overline{\text{RD}}$ pulse width  | 275          |     | $6t_{CLCL}-100$  |                     | ns   |
| $t_{WLWH}$            | 15, 16 | $\overline{\text{WR}}$ pulse width  | 275          |     | $6t_{CLCL}-100$  |                     | ns   |
| $t_{RLDV}$            | 15, 16 | $\overline{\text{RD}}$ low to valid data in                               |              | 147 |                  | $5t_{CLCL}-165$     | ns   |
| $t_{RHDX}$            | 15, 16 | Data hold after $\overline{\text{RD}}$                                    | 0            |     | 0                |                     | ns   |
| $t_{RHDZ}$            | 15, 16 | Data float after $\overline{\text{RD}}$                                   |              | 65  |                  | $2t_{CLCL}-60$      | ns   |
| $t_{LLDV}$            | 15, 16 | ALE low to valid data in  |              | 350 |                  | $8t_{CLCL}-150$     | ns   |
| $t_{AVDV}$            | 15, 16 | Address to valid data in  |              | 397 |                  | $9t_{CLCL}-165$     | ns   |
| $t_{LLWL}$            | 15, 16 | ALE low to $\overline{\text{RD}}$ or $\overline{\text{WR}}$ low           | 137          | 239 | $3t_{CLCL}-50$   | $3t_{CLCL}+50$      | ns   |
| $t_{AVWL}$            | 15, 16 | Address valid to $\overline{\text{WR}}$ low or $\overline{\text{RD}}$ low | 122          |     | $4t_{CLCL}-130$  |                     | ns   |
| $t_{QVWX}$            | 15, 16 | Data valid to $\overline{\text{WR}}$ transition                           | 13           |     | $t_{CLCL}-50$    |                     | ns   |
| $t_{WHQX}$            | 15, 16 | Data hold after $\overline{\text{WR}}$                                    | 13           |     | $t_{CLCL}-50$    |                     | ns   |
| $t_{QVWH}$            | 16     | Data valid to $\overline{\text{WR}}$ high                                 | 287          |     | $7t_{CLCL}-150$  |                     | ns   |
| $t_{RLAZ}$            | 15, 16 | $\overline{\text{RD}}$ low to address float                               |              | 0   |                  | 0                   | ns   |
| $t_{WHLH}$            | 15, 16 | $\overline{\text{RD}}$ or $\overline{\text{WR}}$ high to ALE high         | 23           | 103 | $t_{CLCL}-40$    | $t_{CLCL}+40$       | ns   |
| <b>External Clock</b> |        |   |              |     |                  |                     |      |
| $t_{CHCX}$            | 18     | High time   | 20           |     | 20               | $t_{CLCL}-t_{CLCX}$ | ns   |
| $t_{CLCX}$            | 18     | Low time  | 20           |     | 20               | $t_{CLCL}-t_{CHCX}$ | ns   |
| $t_{CLCH}$            | 18     | Rise time   |              | 20  |                  | 20                  | ns   |
| $t_{CHCL}$            | 18     | Fall time   |              | 20  |                  | 20                  | ns   |
| <b>Shift Register</b> |        |   |              |     |                  |                     |      |
| $t_{XLXL}$            | 17     | Serial port clock cycle time  | 750          |     | $12t_{CLCL}$     |                     | ns   |
| $t_{QVXH}$            | 17     | Output data setup to clock rising edge                                    | 492          |     | $10t_{CLCL}-133$ |                     | ns   |
| $t_{XHQX}$            | 17     | Output data hold after clock rising edge                                  | 8            |     | $2t_{CLCL}-117$  |                     | ns   |
| $t_{XHDX}$            | 17     | Input data hold after clock rising edge                                   | 0            |     | 0                |                     | ns   |
| $t_{XHDV}$            | 17     | Clock rising edge to input data valid                                     |              | 492 |                  | $10t_{CLCL}-133$    | ns   |

**NOTES:**

- Parameters are valid over operating temperature range unless otherwise specified.
- Load capacitance for port 0, ALE, and  $\overline{\text{PSEN}} = 100\text{ pF}$ , load capacitance for all other outputs = 80 pF.
- Interfacing the 80C31 and 80C32 to devices with float times up to 45ns is permitted. This limited bus contention will not cause damage to Port 0 drivers.
- See application note AN457 for external memory interface.
- Parts are guaranteed to operate down to 0 Hz. When an external clock source is used, the RST pin should be held high for a minimum of 20  $\mu\text{s}$  for power-on or wakeup from power down.

80C51 8-bit microcontroller family  
128/256 byte RAM ROMless low voltage (2.7V–5.5V),  
low power, high speed (33 MHz)

80C31/80C32

**AC ELECTRICAL CHARACTERISTICS**
 $T_{amb} = 0^{\circ}\text{C to } +70^{\circ}\text{C or } -40^{\circ}\text{C to } +85^{\circ}\text{C}, V_{CC} = 5\text{ V } \pm 10\%, V_{SS} = 0\text{ V}^{1,2,3}$ 

| SYMBOL                | FIGURE | PARAMETER   | VARIABLE CLOCK <sup>4</sup> |                     | 33 MHz CLOCK |     | UNIT |
|-----------------------|--------|---|-----------------------------|---------------------|--------------|-----|------|
|                       |        |   | 16 MHz to $f_{max}$         |                     | MIN          | MAX |      |
| $t_{HLL}$             | 14     | ALE pulse width   | $2t_{CLCL}-40$              |                     | 21           |     | ns   |
| $t_{AVLL}$            | 14     | Address valid to ALE low  | $t_{CLCL}-25$               |                     | 5            |     | ns   |
| $t_{LLAX}$            | 14     | Address hold after ALE low  | $t_{CLCL}-25$               |                     |              |     | ns   |
| $t_{LLIV}$            | 14     | ALE low to valid instruction in   |                             | $4t_{CLCL}-65$      |              | 55  | ns   |
| $t_{LLPL}$            | 14     | ALE low to $\overline{\text{PSEN}}$ low                                   | $t_{CLCL}-25$               |                     | 5            |     | ns   |
| $t_{PLPH}$            | 14     | $\overline{\text{PSEN}}$ pulse width                                      | $3t_{CLCL}-45$              |                     | 45           |     | ns   |
| $t_{PLIV}$            | 14     | $\overline{\text{PSEN}}$ low to valid instruction in                      |                             | $3t_{CLCL}-60$      |              | 30  | ns   |
| $t_{PXIX}$            | 14     | Input instruction hold after $\overline{\text{PSEN}}$                     | 0                           |                     | 0            |     | ns   |
| $t_{PXIZ}$            | 14     | Input instruction float after $\overline{\text{PSEN}}$                    |                             | $t_{CLCL}-25$       |              | 5   | ns   |
| $t_{AVIV}$            | 14     | Address to valid instruction in   |                             | $5t_{CLCL}-80$      |              | 70  | ns   |
| $t_{PLAZ}$            | 14     | $\overline{\text{PSEN}}$ low to address float                             |                             | 10                  |              | 10  | ns   |
| <b>Data Memory</b>    |        |   |                             |                     |              |     |      |
| $t_{RLRH}$            | 15, 16 | $\overline{\text{RD}}$ pulse width  | $6t_{CLCL}-100$             |                     | 82           |     | ns   |
| $t_{WLWH}$            | 15, 16 | $\overline{\text{WR}}$ pulse width  | $6t_{CLCL}-100$             |                     | 82           |     | ns   |
| $t_{RLDV}$            | 15, 16 | $\overline{\text{RD}}$ low to valid data in                               |                             | $5t_{CLCL}-90$      |              | 60  | ns   |
| $t_{RHDX}$            | 15, 16 | Data hold after $\overline{\text{RD}}$                                    | 0                           |                     | 0            |     | ns   |
| $t_{RHDZ}$            | 15, 16 | Data float after $\overline{\text{RD}}$                                   |                             | $2t_{CLCL}-28$      |              | 32  | ns   |
| $t_{LLDV}$            | 15, 16 | ALE low to valid data in  |                             | $8t_{CLCL}-150$     |              | 90  | ns   |
| $t_{AVDV}$            | 15, 16 | Address to valid data in  |                             | $9t_{CLCL}-165$     |              | 105 | ns   |
| $t_{LLWL}$            | 15, 16 | ALE low to $\overline{\text{RD}}$ or $\overline{\text{WR}}$ low           | $3t_{CLCL}-50$              | $3t_{CLCL}+50$      | 40           | 140 | ns   |
| $t_{AVWL}$            | 15, 16 | Address valid to $\overline{\text{WR}}$ low or $\overline{\text{RD}}$ low | $4t_{CLCL}-75$              |                     | 45           |     | ns   |
| $t_{QVWX}$            | 15, 16 | Data valid to $\overline{\text{WR}}$ transition                           | $t_{CLCL}-30$               |                     | 0            |     | ns   |
| $t_{WHQX}$            | 15, 16 | Data hold after $\overline{\text{WR}}$                                    | $t_{CLCL}-25$               |                     | 5            |     | ns   |
| $t_{QVWH}$            | 16     | Data valid to $\overline{\text{WR}}$ high                                 | $7t_{CLCL}-130$             |                     | 80           |     | ns   |
| $t_{RLAZ}$            | 15, 16 | $\overline{\text{RD}}$ low to address float                               |                             | 0                   |              | 0   | ns   |
| $t_{WHLH}$            | 15, 16 | $\overline{\text{RD}}$ or $\overline{\text{WR}}$ high to ALE high         | $t_{CLCL}-25$               | $t_{CLCL}+25$       | 5            | 55  | ns   |
| <b>External Clock</b> |        |   |                             |                     |              |     |      |
| $t_{CHCX}$            | 18     | High time   | $0.38t_{CLCL}$              | $t_{CLCL}-t_{CLCX}$ |              |     | ns   |
| $t_{CLCX}$            | 18     | Low time  | $0.38t_{CLCL}$              | $t_{CLCL}-t_{CHCX}$ |              |     | ns   |
| $t_{CLCH}$            | 18     | Rise time   |                             | 5                   |              |     | ns   |
| $t_{CHCL}$            | 18     | Fall time   |                             | 5                   |              |     | ns   |
| <b>Shift Register</b> |        |   |                             |                     |              |     |      |
| $t_{XLXL}$            | 17     | Serial port clock cycle time  | $12t_{CLCL}$                |                     | 360          |     | ns   |
| $t_{QVXH}$            | 17     | Output data setup to clock rising edge                                    | $10t_{CLCL}-133$            |                     | 167          |     | ns   |
| $t_{XHQX}$            | 17     | Output data hold after clock rising edge                                  | $2t_{CLCL}-80$              |                     |              |     | ns   |
| $t_{XHDX}$            | 17     | Input data hold after clock rising edge                                   | 0                           |                     | 0            |     | ns   |
| $t_{XHVD}$            | 17     | Clock rising edge to input data valid                                     |                             | $10t_{CLCL}-133$    |              | 167 | ns   |

**NOTES:**

- Parameters are valid over operating temperature range unless otherwise specified.
- Load capacitance for port 0, ALE, and  $\overline{\text{PSEN}} = 100\text{ pF}$ , load capacitance for all other outputs = 80 pF.
- Interfacing the 80C31 and 80C32 to devices with float times up to 45ns is permitted. This limited bus contention will not cause damage to Port 0 drivers.
- Variable clock is specified for oscillator frequencies greater than 16 MHz to 33 MHz. For frequencies equal or less than 16 MHz, see 16 MHz "AC Electrical Characteristics", page 23.
- Parts are guaranteed to operate down to 0 Hz. When an external clock source is used, the RST pin should be held high for a minimum of 20  $\mu\text{s}$  for power-on or wakeup from power down.

**80C51 8-bit microcontroller family**  
 128/256 byte RAM ROMless low voltage (2.7V–5.5V),  
 low power, high speed (33 MHz)

**80C31/80C32**

**EXPLANATION OF THE AC SYMBOLS**

Each timing symbol has five characters. The first character is always 't' (= time). The other characters, depending on their positions, indicate the name of a signal or the logical status of that signal. The designations are:

- A – Address
- C – Clock
- D – Input data
- H – Logic level high
- I – Instruction (program memory contents)
- L – Logic level low, or ALE

- P –  $\overline{\text{PSEN}}$
- Q – Output data
- R –  $\overline{\text{RD}}$  signal
- t – Time
- V – Valid
- W –  $\overline{\text{WR}}$  signal
- X – No longer a valid logic level
- Z – Float

**Examples:**  $t_{\text{AVLL}}$  = Time for address valid to ALE low.  
 $t_{\text{LLPL}}$  = Time for ALE low to  $\overline{\text{PSEN}}$  low.

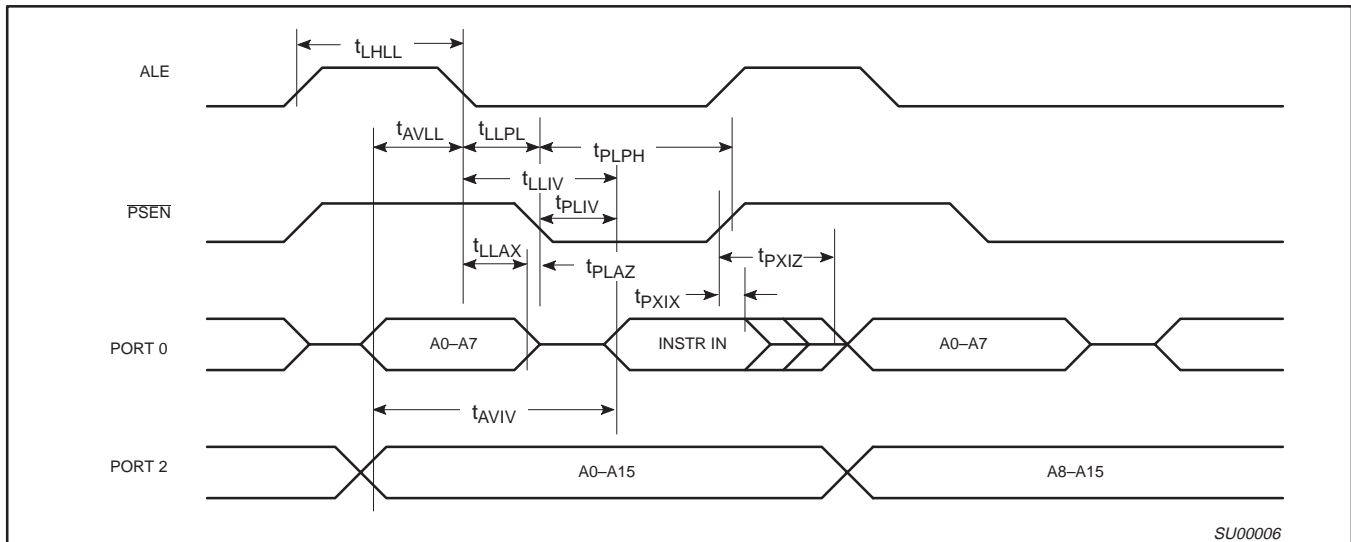


Figure 14. External Program Memory Read Cycle

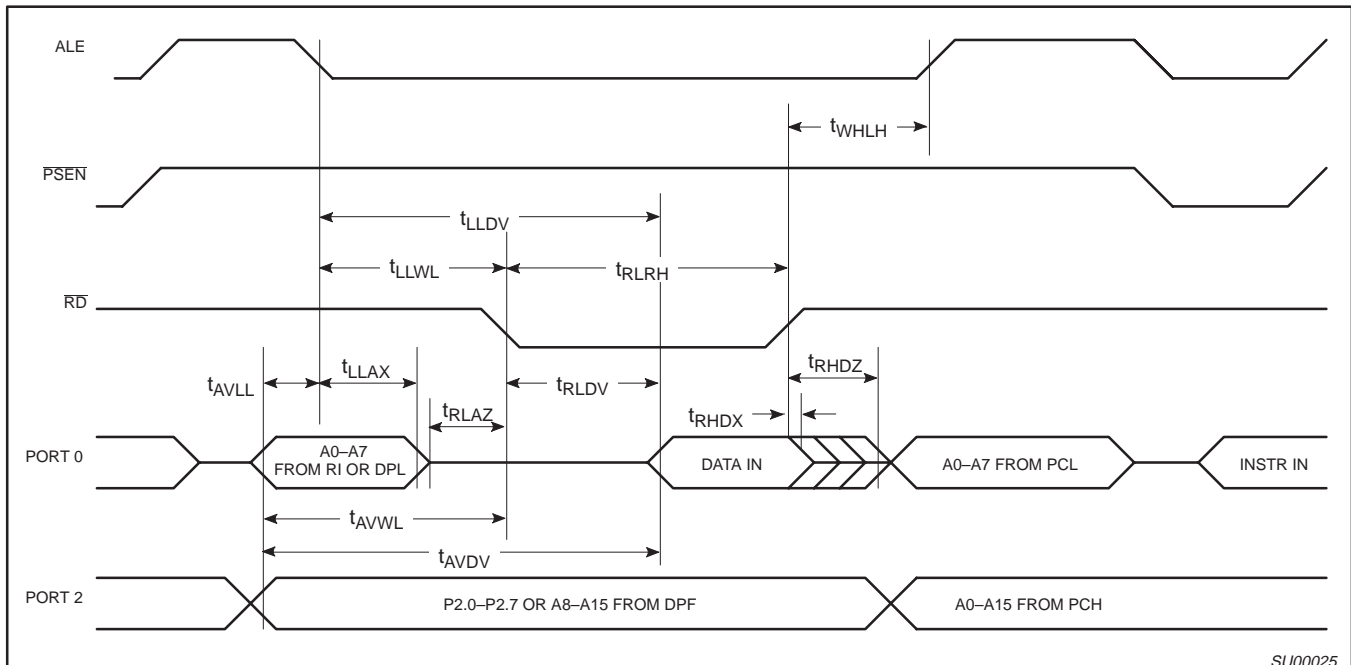


Figure 15. External Data Memory Read Cycle

**80C51 8-bit microcontroller family**  
 128/256 byte RAM ROMless low voltage (2.7V–5.5V),  
 low power, high speed (33 MHz)

**80C31/80C32**

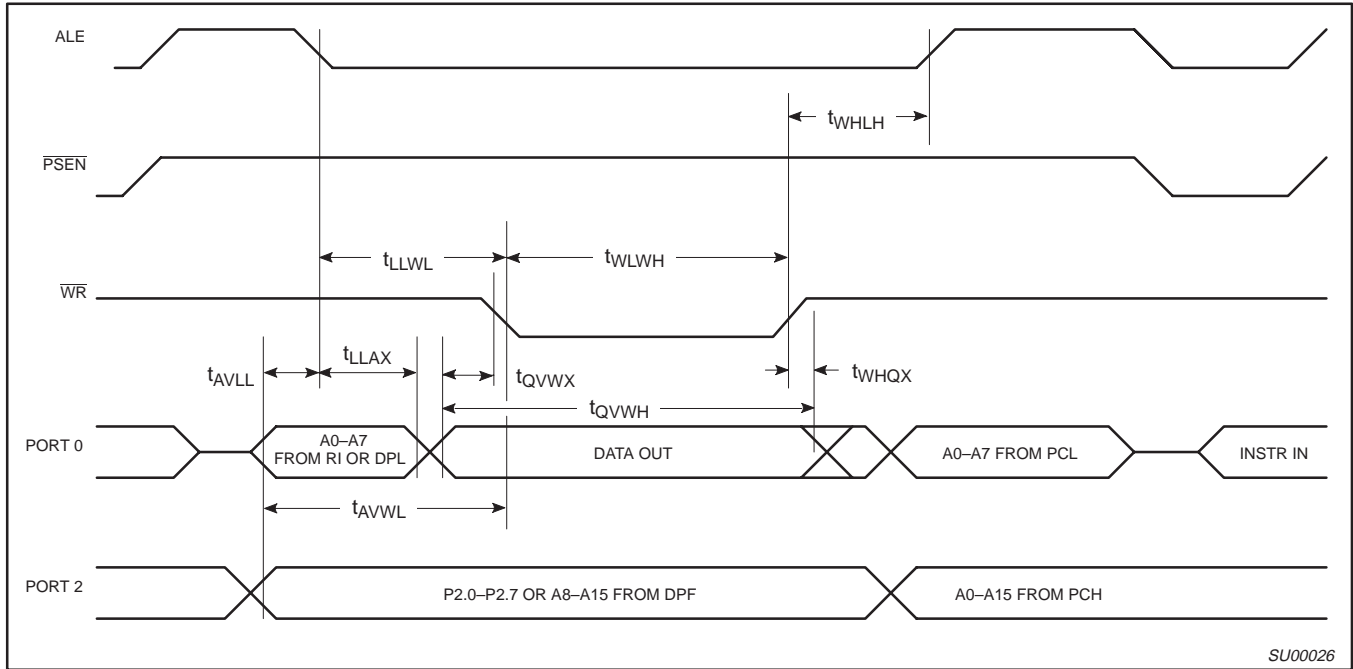


Figure 16. External Data Memory Write Cycle

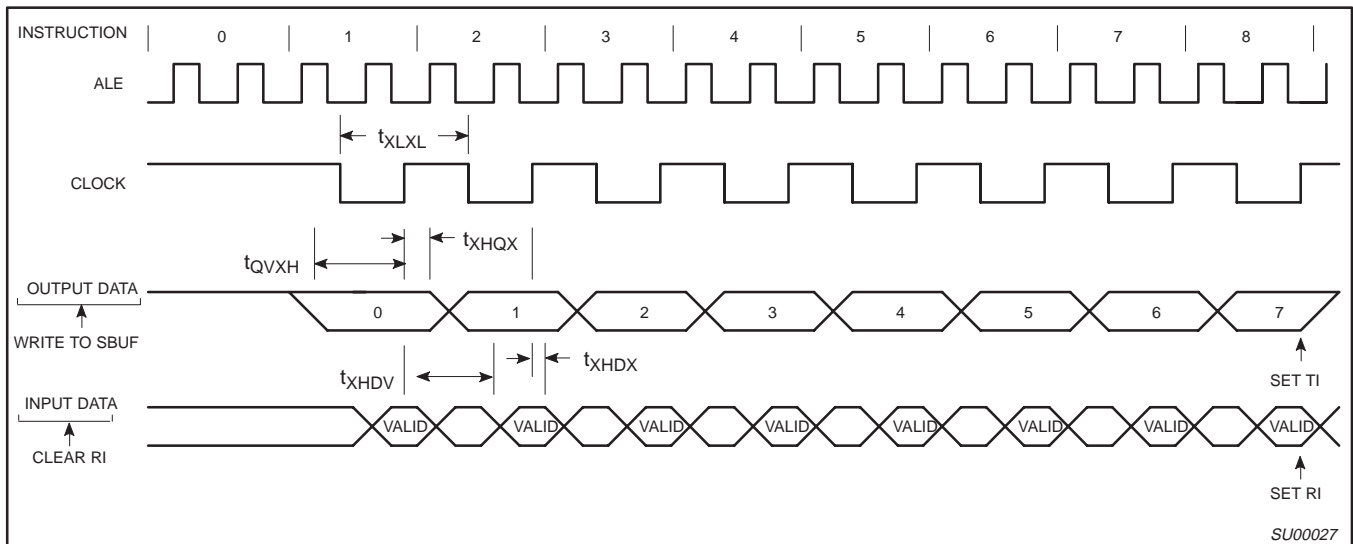


Figure 17. Shift Register Mode Timing

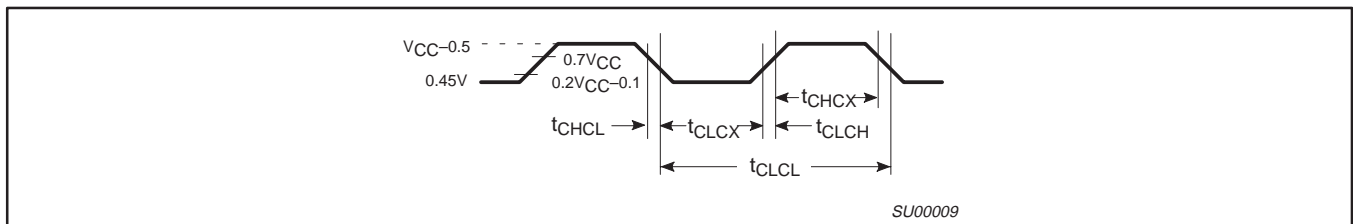
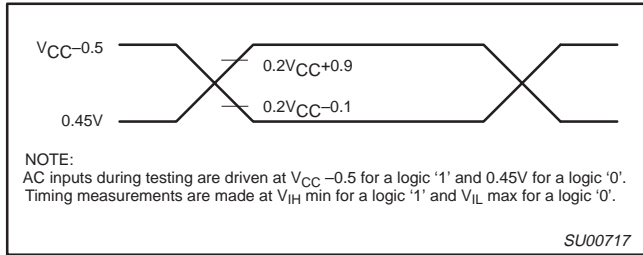


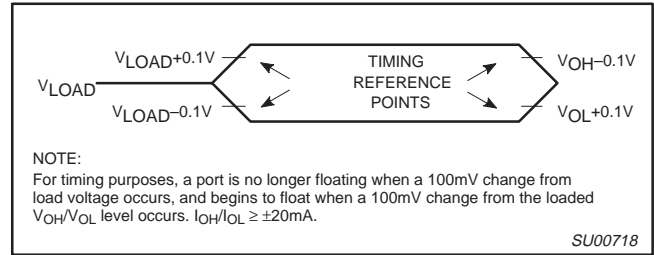
Figure 18. External Clock Drive

**80C51 8-bit microcontroller family**  
 128/256 byte RAM ROMless low voltage (2.7V–5.5V),  
 low power, high speed (33 MHz)

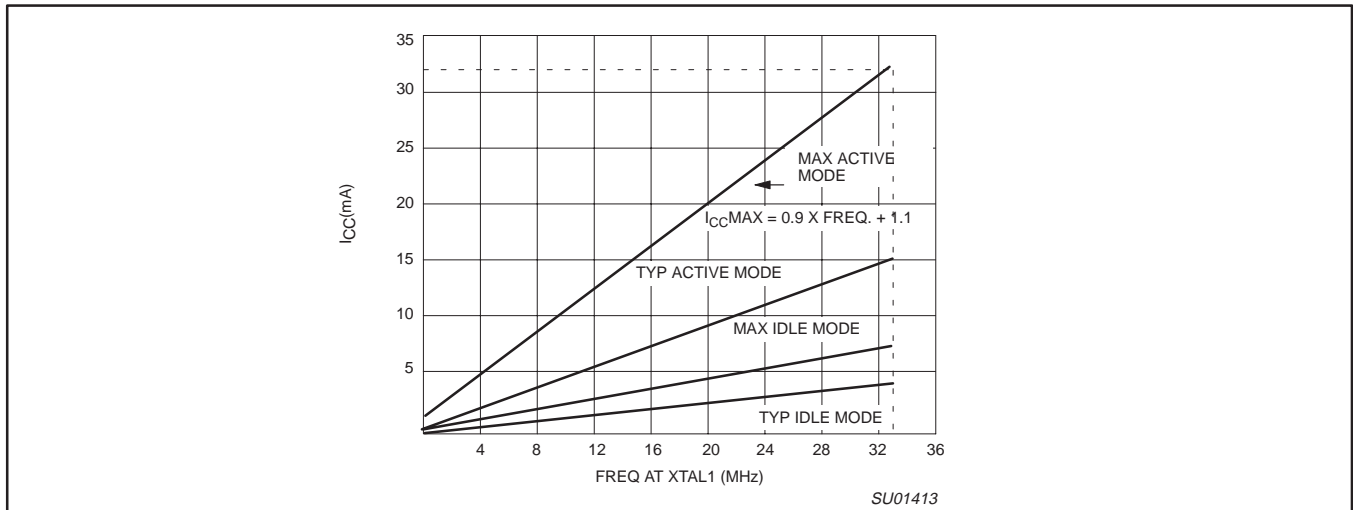
**80C31/80C32**



**Figure 19. AC Testing Input/Output**



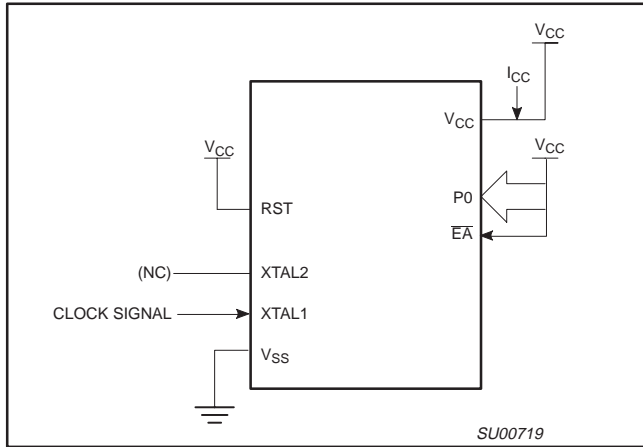
**Figure 20. Float Waveform**



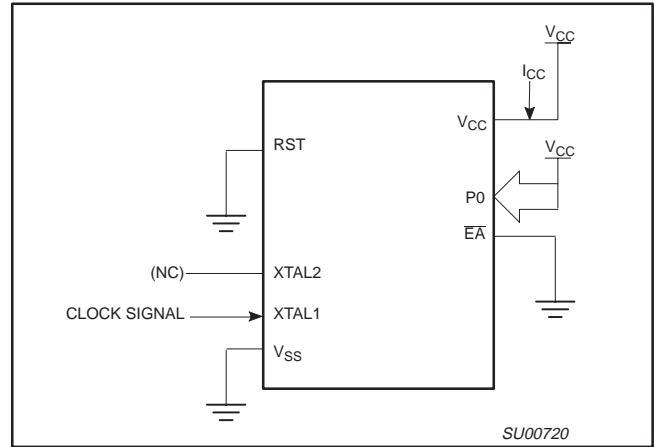
**Figure 21.  $I_{CC}$  vs. FREQ**  
 Valid only within frequency specifications of the device under test

**80C51 8-bit microcontroller family**  
 128/256 byte RAM ROMless low voltage (2.7V–5.5V),  
 low power, high speed (33 MHz)

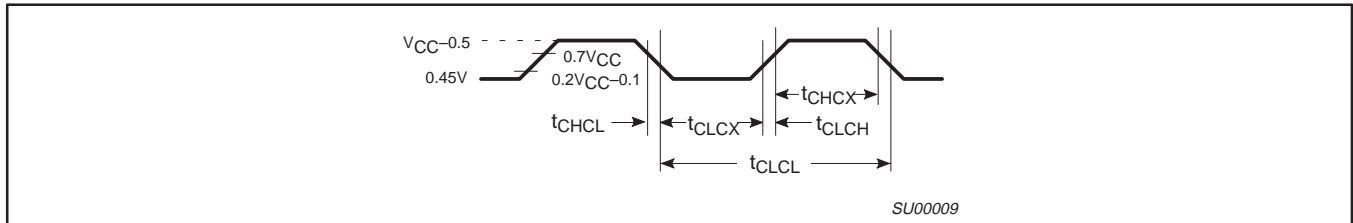
**80C31/80C32**



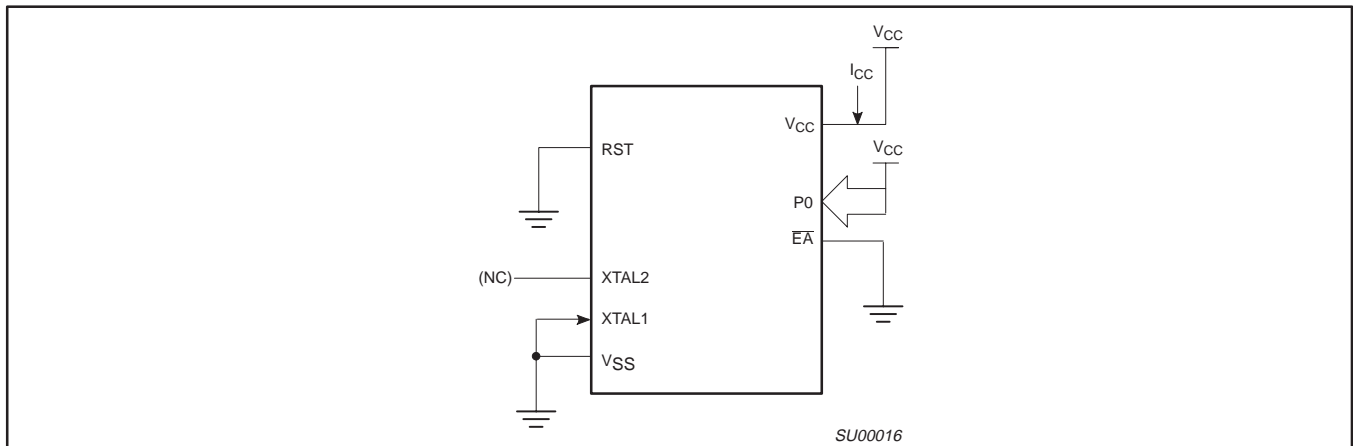
**Figure 22.  $I_{CC}$  Test Condition, Active Mode**  
 All other pins are disconnected



**Figure 23.  $I_{CC}$  Test Condition, Idle Mode**  
 All other pins are disconnected



**Figure 24. Clock Signal Waveform for  $I_{CC}$  Tests in Active and Idle Modes**  
 $t_{CLCH} = t_{CHCL} = 5\text{ns}$



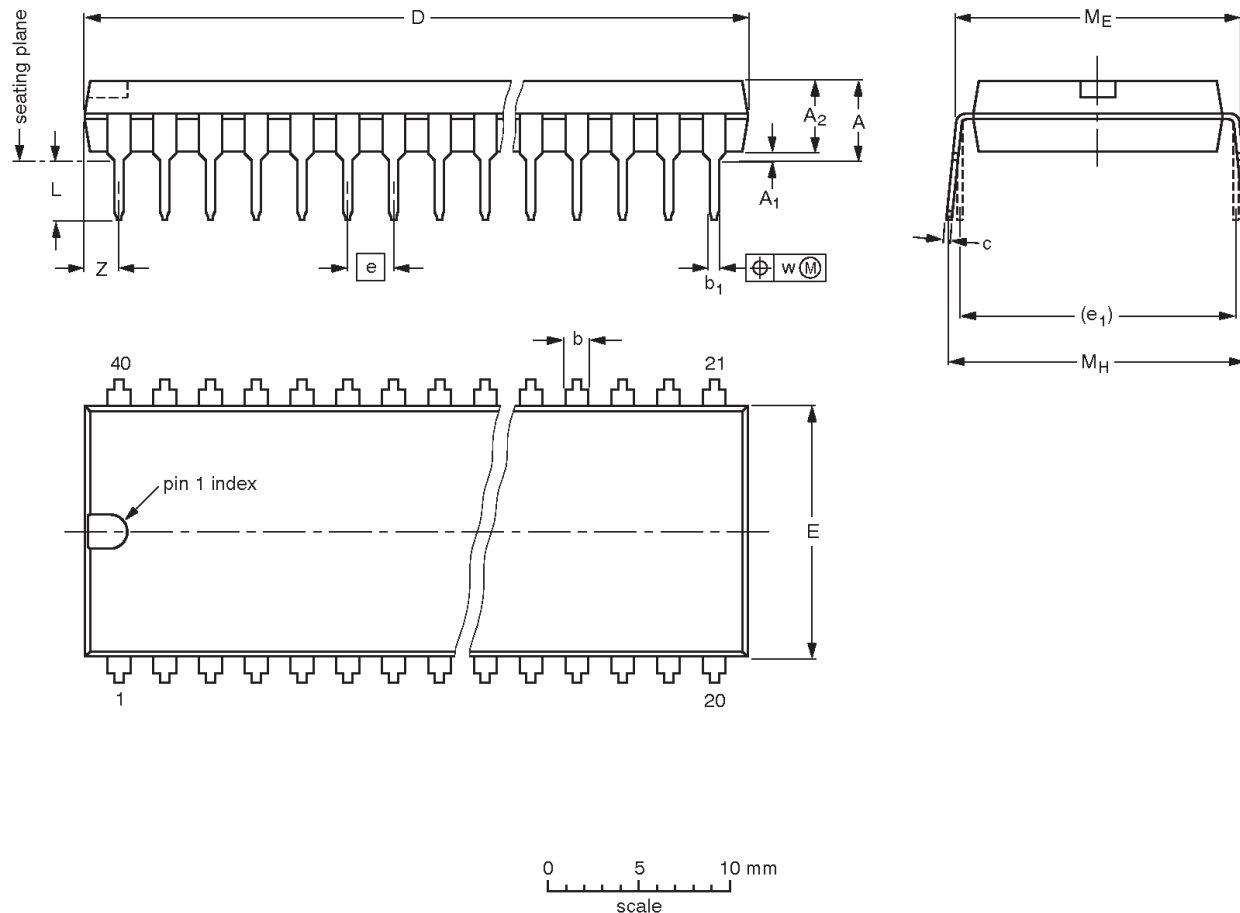
**Figure 25.  $I_{CC}$  Test Condition, Power Down Mode**  
 All other pins are disconnected.  $V_{CC} = 2\text{ V to }5.5\text{ V}$

80C51 8-bit microcontroller family  
 128/256 byte RAM ROMless low voltage (2.7V–5.5V),  
 low power, high speed (33 MHz)

80C31/80C32

DIP40: plastic dual in-line package; 40 leads (600 mil)

SOT129-1



**DIMENSIONS (inch dimensions are derived from the original mm dimensions)**

| UNIT   | A max. | A <sub>1</sub> min. | A <sub>2</sub> max. | b              | b <sub>1</sub> | c              | D <sup>(1)</sup> | E <sup>(1)</sup> | e    | e <sub>1</sub> | L            | M <sub>E</sub> | M <sub>H</sub> | w     | Z <sup>(1)</sup> max. |
|--------|--------|---------------------|---------------------|----------------|----------------|----------------|------------------|------------------|------|----------------|--------------|----------------|----------------|-------|-----------------------|
| mm     | 4.7    | 0.51                | 4.0                 | 1.70<br>1.14   | 0.53<br>0.38   | 0.36<br>0.23   | 52.50<br>51.50   | 14.1<br>13.7     | 2.54 | 15.24          | 3.60<br>3.05 | 15.80<br>15.24 | 17.42<br>15.90 | 0.254 | 2.25                  |
| inches | 0.19   | 0.020               | 0.16                | 0.067<br>0.045 | 0.021<br>0.015 | 0.014<br>0.009 | 2.067<br>2.028   | 0.56<br>0.54     | 0.10 | 0.60           | 0.14<br>0.12 | 0.62<br>0.60   | 0.69<br>0.63   | 0.01  | 0.089                 |

**Note**

1. Plastic or metal protrusions of 0.25 mm maximum per side are not included.

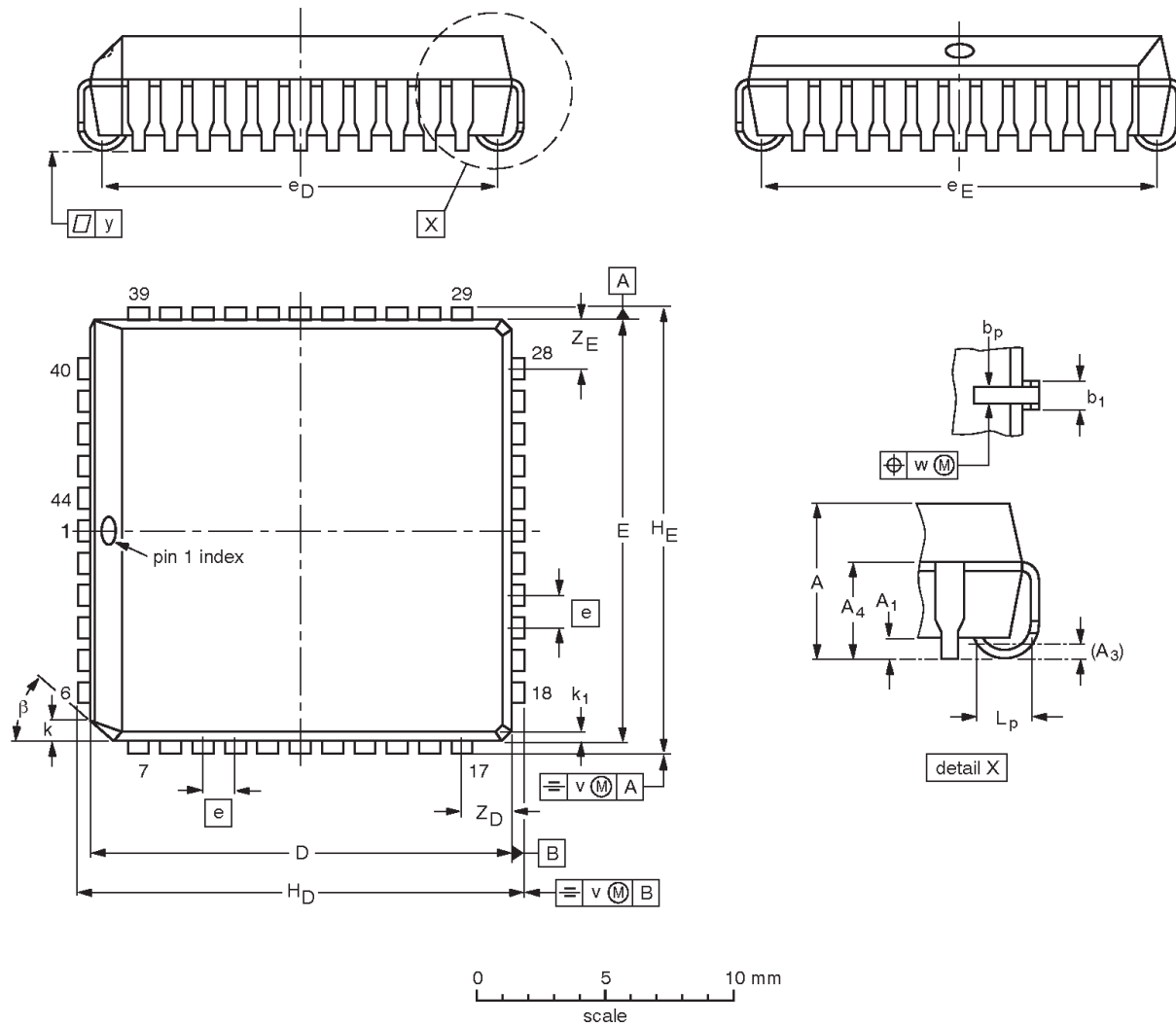
| OUTLINE VERSION | REFERENCES |        |           |  | EUROPEAN PROJECTION | ISSUE DATE           |
|-----------------|------------|--------|-----------|--|---------------------|----------------------|
|                 | IEC        | JEDEC  | EIAJ      |  |                     |                      |
| SOT129-1        | 051G08     | MO-015 | SC-511-40 |  |                     | 95-01-14<br>99-12-27 |

80C51 8-bit microcontroller family  
 128/256 byte RAM ROMless low voltage (2.7V–5.5V),  
 low power, high speed (33 MHz)

80C31/80C32

PLCC44: plastic leaded chip carrier; 44 leads

SOT187-2



DIMENSIONS (millimetre dimensions are derived from the original inch dimensions)

| UNIT   | A              | A <sub>1</sub><br>min. | A <sub>3</sub> | A <sub>4</sub><br>max. | b <sub>p</sub> | b <sub>1</sub> | D <sup>(1)</sup> | E <sup>(1)</sup> | e    | e <sub>D</sub> | e <sub>E</sub> | H <sub>D</sub> | H <sub>E</sub> | k              | k <sub>1</sub><br>max. | L <sub>p</sub> | v     | w     | y     | Z <sub>D</sub> <sup>(1)</sup><br>max. | Z <sub>E</sub> <sup>(1)</sup><br>max. | β   |
|--------|----------------|------------------------|----------------|------------------------|----------------|----------------|------------------|------------------|------|----------------|----------------|----------------|----------------|----------------|------------------------|----------------|-------|-------|-------|---------------------------------------|---------------------------------------|-----|
| mm     | 4.57<br>4.19   | 0.51                   | 0.25           | 3.05                   | 0.53<br>0.33   | 0.81<br>0.66   | 16.66<br>16.51   | 16.66<br>16.51   | 1.27 | 16.00<br>14.99 | 16.00<br>14.99 | 17.65<br>17.40 | 17.65<br>17.40 | 1.22<br>1.07   | 0.51                   | 1.44<br>1.02   | 0.18  | 0.18  | 0.10  | 2.16                                  | 2.16                                  | 45° |
| inches | 0.180<br>0.165 | 0.020                  | 0.01           | 0.12                   | 0.021<br>0.013 | 0.032<br>0.026 | 0.656<br>0.650   | 0.656<br>0.650   | 0.05 | 0.630<br>0.590 | 0.630<br>0.590 | 0.695<br>0.685 | 0.695<br>0.685 | 0.048<br>0.042 | 0.020                  | 0.057<br>0.040 | 0.007 | 0.007 | 0.004 | 0.085                                 | 0.085                                 |     |

Note

1. Plastic or metal protrusions of 0.01 inches maximum per side are not included.

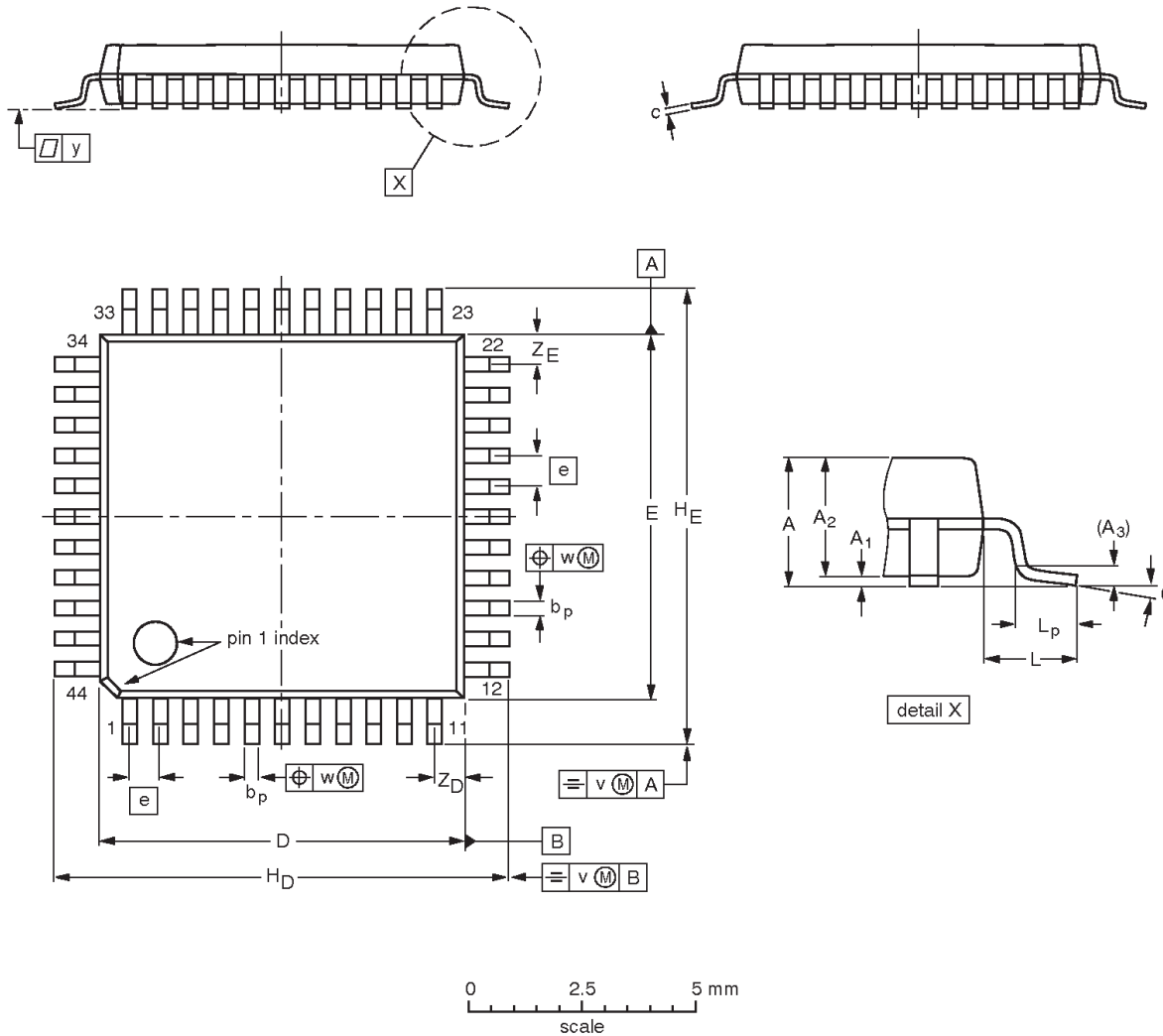
| OUTLINE VERSION | REFERENCES |        |      | EUROPEAN PROJECTION | ISSUE DATE           |
|-----------------|------------|--------|------|---------------------|----------------------|
|                 | IEC        | JEDEC  | EIAJ |                     |                      |
| SOT187-2        | 112E10     | MO-047 |      |                     | 97-12-16<br>99-12-27 |

80C51 8-bit microcontroller family  
 128/256 byte RAM ROMless low voltage (2.7V–5.5V),  
 low power, high speed (33 MHz)

80C31/80C32

**QFP44: plastic quad flat package; 44 leads (lead length 1.3 mm); body 10 x 10 x 1.75 mm**

**SOT307-2**



**DIMENSIONS (mm are the original dimensions)**

| UNIT | A <sub>max.</sub> | A <sub>1</sub> | A <sub>2</sub> | A <sub>3</sub> | b <sub>p</sub> | c            | D <sup>(1)</sup> | E <sup>(1)</sup> | e   | H <sub>D</sub> | H <sub>E</sub> | L   | L <sub>p</sub> | v    | w    | y   | Z <sub>D</sub> <sup>(1)</sup> | Z <sub>E</sub> <sup>(1)</sup> | θ         |
|------|-------------------|----------------|----------------|----------------|----------------|--------------|------------------|------------------|-----|----------------|----------------|-----|----------------|------|------|-----|-------------------------------|-------------------------------|-----------|
| mm   | 2.10              | 0.25<br>0.05   | 1.85<br>1.65   | 0.25           | 0.40<br>0.20   | 0.25<br>0.14 | 10.1<br>9.9      | 10.1<br>9.9      | 0.8 | 12.9<br>12.3   | 12.9<br>12.3   | 1.3 | 0.95<br>0.55   | 0.15 | 0.15 | 0.1 | 1.2<br>0.8                    | 1.2<br>0.8                    | 10°<br>0° |

**Note**

1. Plastic or metal protrusions of 0.25 mm maximum per side are not included.

| OUTLINE VERSION | REFERENCES |       |      | EUROPEAN PROJECTION | ISSUE DATE           |
|-----------------|------------|-------|------|---------------------|----------------------|
|                 | IEC        | JEDEC | EIAJ |                     |                      |
| SOT307-2        |            |       |      |                     | 95-02-04<br>97-08-01 |

**80C51 8-bit microcontroller family**  
 128/256 byte RAM ROMless low voltage (2.7V–5.5V),  
 low power, high speed (33 MHz)

**80C31/80C32**

### Data sheet status

| Data sheet status         | Product status | Definition [1]   |
|---------------------------|----------------|--|
| Objective specification   | Development    | This data sheet contains the design target or goal specifications for product development. Specification may change in any manner without notice.  |
| Preliminary specification | Qualification  | This data sheet contains preliminary data, and supplementary data will be published at a later date. Philips Semiconductors reserves the right to make changes at any time without notice in order to improve design and supply the best possible product. |
| Product specification     | Production     | This data sheet contains final specifications. Philips Semiconductors reserves the right to make changes at any time without notice in order to improve design and supply the best possible product.   |

[1] Please consult the most recently issued datasheet before initiating or completing a design.

### Definitions

**Short-form specification** — The data in a short-form specification is extracted from a full data sheet with the same type number and title. For detailed information see the relevant data sheet or data handbook.

**Limiting values definition** — Limiting values given are in accordance with the Absolute Maximum Rating System (IEC 134). Stress above one or more of the limiting values may cause permanent damage to the device. These are stress ratings only and operation of the device at these or at any other conditions above those given in the Characteristics sections of the specification is not implied. Exposure to limiting values for extended periods may affect device reliability.

**Application information** — Applications that are described herein for any of these products are for illustrative purposes only. Philips Semiconductors make no representation or warranty that such applications will be suitable for the specified use without further testing or modification.

### Disclaimers

**Life support** — These products are not designed for use in life support appliances, devices or systems where malfunction of these products can reasonably be expected to result in personal injury. Philips Semiconductors customers using or selling these products for use in such applications do so at their own risk and agree to fully indemnify Philips Semiconductors for any damages resulting from such application.

**Right to make changes** — Philips Semiconductors reserves the right to make changes, without notice, in the products, including circuits, standard cells, and/or software, described or contained herein in order to improve design and/or performance. Philips Semiconductors assumes no responsibility or liability for the use of any of these products, conveys no license or title under any patent, copyright, or mask work right to these products, and makes no representations or warranties that these products are free from patent, copyright, or mask work right infringement, unless otherwise specified.

**Philips Semiconductors**  
 811 East Arques Avenue  
 P.O. Box 3409  
 Sunnyvale, California 94088–3409  
 Telephone 800-234-7381

© Copyright Philips Electronics North America Corporation 2000  
 All rights reserved. Printed in U.S.A.

Date of release: 08-00

Document order number:

9397 750 07403

*Let's make things better.*

## Looking for pricing, stock, or lifecycle information?

Click below to explore more details on WIN SOURCE:

 [View P80C31SBBB,557 on WIN SOURCE](#)

 [NXP / Nexperia Information](#)

## Optimize Your Supply Chain with WIN SOURCE Solutions

-  Global Sourcing Solution
-  Obsolete Management
-  Cost Control Management
-  Shortage Management
-  Alternative Solution
-  Excess Inventory Management