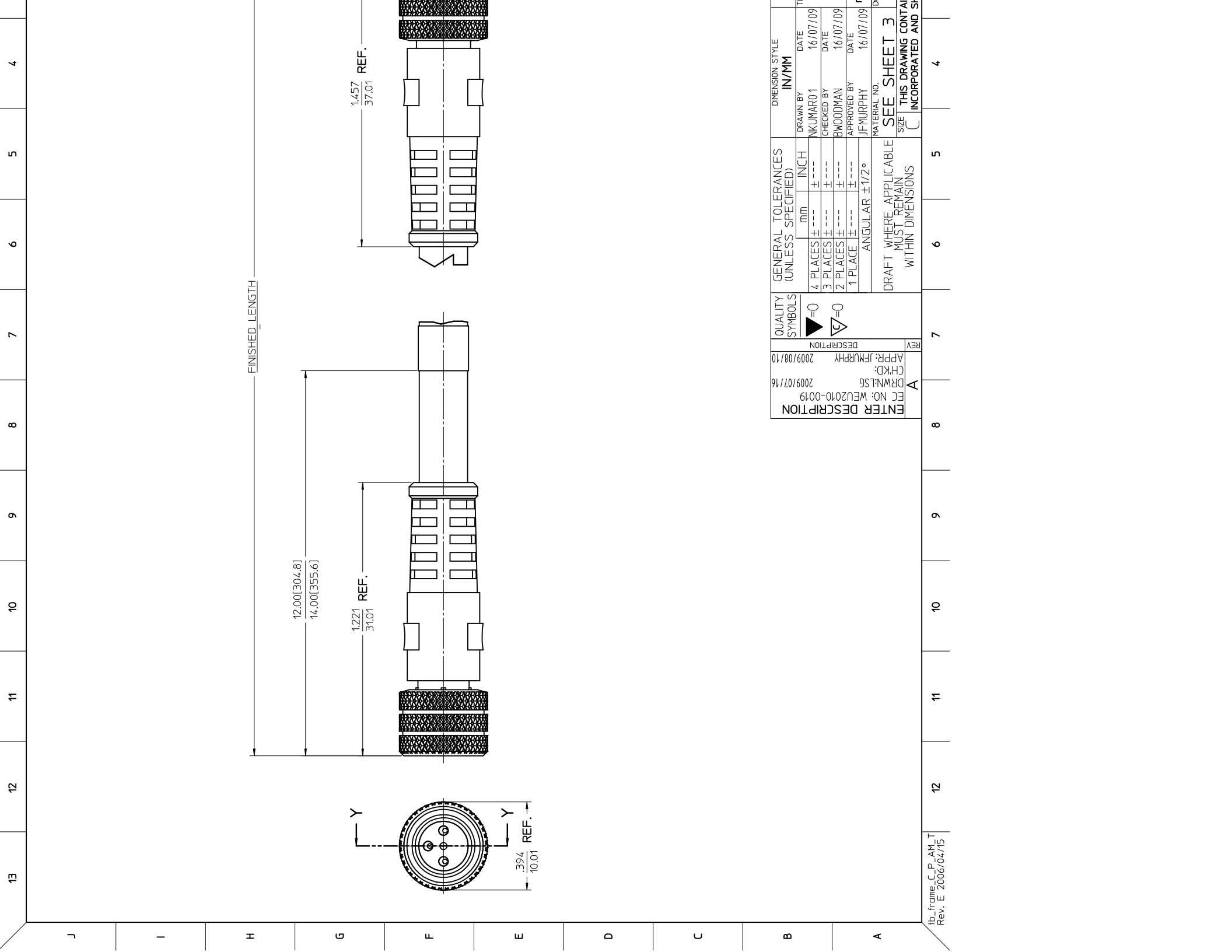
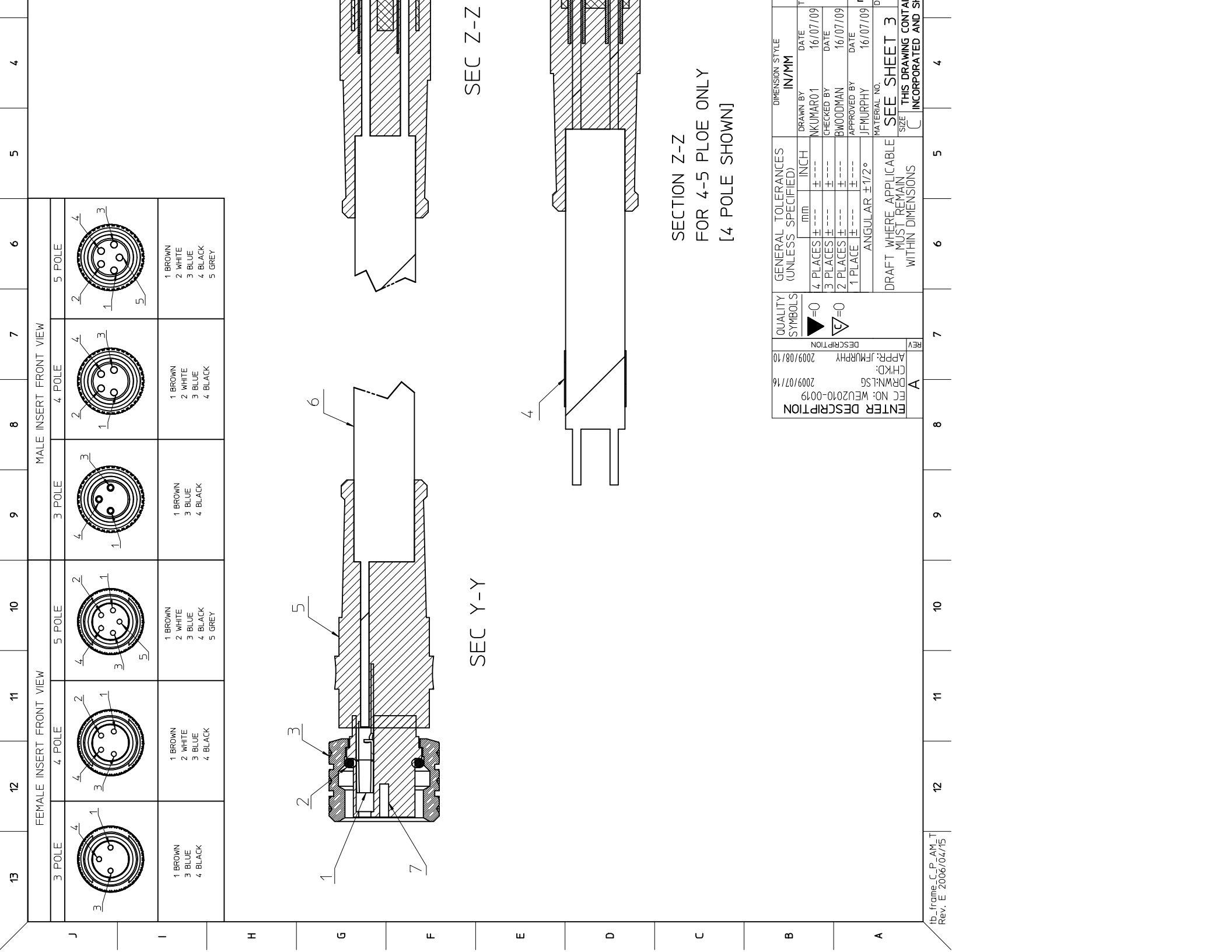




**THE DATASHEET OF**  
**1200870113**



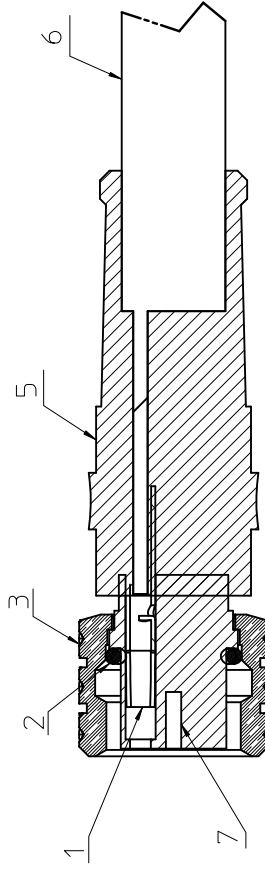




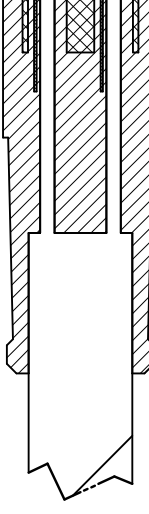
MALE INSERT FRONT VIEW

FEMALE INSERT FRONT VIEW

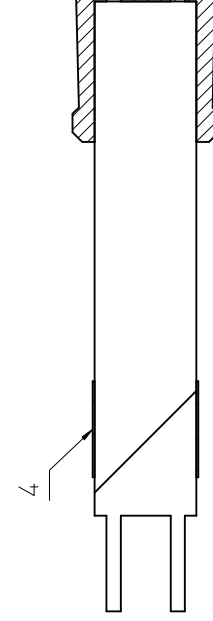
	3 POLE	4 POLE	5 POLE	3 POLE	4 POLE	5 POLE
J						
I	1 BROWN 3 BLUE 4 BLACK	1 BROWN 2 WHITE 3 BLUE 4 BLACK	1 BROWN 2 WHITE 3 BLUE 4 BLACK 5 GREY	1 BROWN 3 BLUE 4 BLACK	1 BROWN 2 WHITE 3 BLUE 4 BLACK	1 BROWN 2 WHITE 3 BLUE 4 BLACK 5 GREY



SEC Y-Y



SEC Z-Z



SECTION Z-Z  
FOR 4-5 POLE ONLY  
[4 POLE SHOWN]

ENTER DESCRIPTION	EC NO: WEU2010-0019	DRWN:LSG	2009/07/16
APPR:JFMURPHY	CHKD:		
2009/08/10			
DESCRIPTION	REV		

QUALITY SYMBOLS	GENERAL TOLERANCES (UNLESS SPECIFIED)	DIMENSION STYLE																				
= 0 = 0	<table border="1"> <tr> <th>mm</th> <th>INCH</th> </tr> <tr> <td>4 PLACES ± ---</td> <td>± ---</td> </tr> <tr> <td>3 PLACES ± ---</td> <td>± ---</td> </tr> <tr> <td>2 PLACES ± ---</td> <td>± ---</td> </tr> <tr> <td>1 PLACE ± ---</td> <td>± ---</td> </tr> <tr> <td colspan="2">ANGULAR ±1/2°</td> </tr> </table>	mm	INCH	4 PLACES ± ---	± ---	3 PLACES ± ---	± ---	2 PLACES ± ---	± ---	1 PLACE ± ---	± ---	ANGULAR ±1/2°		<table border="1"> <tr> <th>IN/MM</th> <th>DATE</th> </tr> <tr> <td>DRAWN BY: NKUMAR01</td> <td>16/07/09</td> </tr> <tr> <td>CHECKED BY: BWOODMAN</td> <td>16/07/09</td> </tr> <tr> <td>APPROVED BY: JFMURPHY</td> <td>16/07/09</td> </tr> </table>	IN/MM	DATE	DRAWN BY: NKUMAR01	16/07/09	CHECKED BY: BWOODMAN	16/07/09	APPROVED BY: JFMURPHY	16/07/09
mm	INCH																					
4 PLACES ± ---	± ---																					
3 PLACES ± ---	± ---																					
2 PLACES ± ---	± ---																					
1 PLACE ± ---	± ---																					
ANGULAR ±1/2°																						
IN/MM	DATE																					
DRAWN BY: NKUMAR01	16/07/09																					
CHECKED BY: BWOODMAN	16/07/09																					
APPROVED BY: JFMURPHY	16/07/09																					
MATERIAL NO. SEE SHEET 3																						
DRAFT WHERE APPLICABLE MUST REMAIN WITHIN DIMENSIONS																						
SIZE THIS DRAWING CONTAINED INCORPORATED AND SH																						



## Looking for pricing, stock, or lifecycle information?

Click below to explore more details on WIN SOURCE:

 [View 1200870113 on WIN SOURCE](#)

 [Molex, LLC Information](#)

## Optimize Your Supply Chain with WIN SOURCE Solutions

-  Global Sourcing Solution
-  Obsolete Management
-  Cost Control Management
-  Shortage Management
-  Alternative Solution
-  Excess Inventory Management