



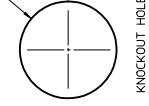
THE DATASHEET OF
1300130273



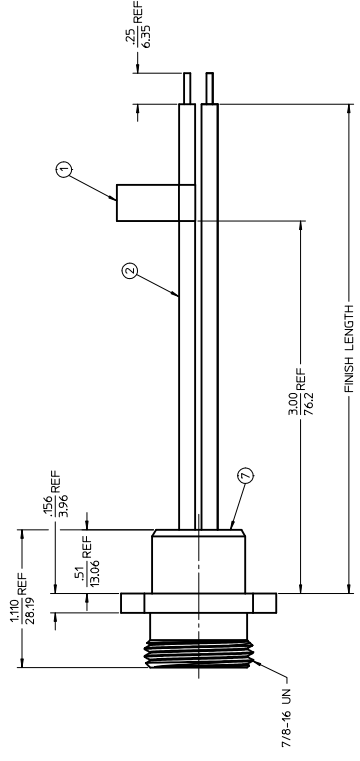
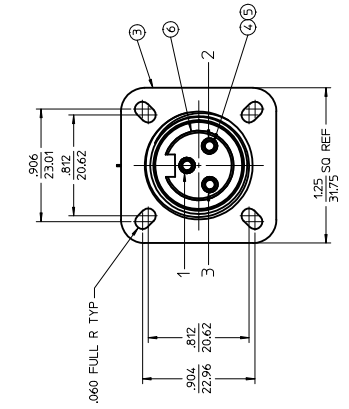
20 19 18 17 16 15 14 13 12 11 10 9 8 7 6 5 4 3 2 1

MATERIAL NUMBER	OLD PART NUMBER	FINISH LENGTH
130013-0273	1R3G04A20A120	1.0'+.75"-0 [.3M+.19:1-0]

VOLTAGE RATING	600 VAC/VDC
AMPERAGE RATING	13A
PROJECTION	IP67
OPERATING TEMPERATURE	-20° C TO 105° C
UL CERTIFICATIONS	UL RECOGNIZED, FILE NO. E152210
CSA CERTIFICATIONS	CSA CERTIFIED, FILE NO. LR6837



KNOCKOUT HOLE



ITEM.	QTY.	COMPONENT	MATERIAL	FINISH
1	1	FLAG LABEL	PLASTIC FILM	BLACK/YELLOW
2	3	CONDUCTOR-16 AWG, 26X#30 COPPER STRANDING 600V	PVC	SEE WIRING DIAGRAM
3	1	RECEPTACLE SHELL	ALUMINUM	ANODIZED
4	3	SOCKET SLEEVE	STAINLESS STEEL	
5	3	CONTACT SOCKET	COPPER ALLOY	GOLD PLATED
6	1	3 POLE INSERT	PVC	YELLOW
7	1	POTTING	EPOXY	BLACK

REV: E 2006/04/15

QUALITY SYMBOLS	DESCRIPTION	REV
0	APPR: JEM/BRPHY 2010/01/14	
1	CHK: B. WOODMAN 2010/01/14	A
2	CRW: MBR/PERT 2010/01/08	
3	EC NO: WMA2010-0423	
4	CREATE DOC	
5	GENERAL TOLERANCES UNLESS SPECIFIED:	
6	1 PLACES ±.005	
7	2 PLACES ±.005	
8	3 PLACES ±.005	
9	4 PLACES ±.005	
10	1 PLACE ±.005	
11	ANGULAR ±1/2°	
12	DRAFT WHERE APPLICABLE	
13	MUST REMAIN WITHIN DIMENSIONS	
14	SIZE IT	
15	INCH	
16	MM	
17	UNLESS SPECIFIED:	
18	1 PLACES ±.005	
19	2 PLACES ±.005	
20	3 PLACES ±.005	
21	4 PLACES ±.005	
22	1 PLACE ±.005	
23	ANGULAR ±1/2°	
24	DRAFT WHERE APPLICABLE	
25	MUST REMAIN WITHIN DIMENSIONS	
26	SIZE IT	
27	INCH	
28	MM	
29	UNLESS SPECIFIED:	
30	1 PLACES ±.005	
31	2 PLACES ±.005	
32	3 PLACES ±.005	
33	4 PLACES ±.005	
34	1 PLACE ±.005	
35	ANGULAR ±1/2°	
36	DRAFT WHERE APPLICABLE	
37	MUST REMAIN WITHIN DIMENSIONS	
38	SIZE IT	
39	INCH	
40	MM	

Looking for pricing, stock, or lifecycle information?

Click below to explore more details on WIN SOURCE:

 [View 1300130273 on WIN SOURCE](#)

 [Molex, LLC Information](#)

Optimize Your Supply Chain with WIN SOURCE Solutions

-  Global Sourcing Solution
-  Obsolete Management
-  Cost Control Management
-  Shortage Management
-  Alternative Solution
-  Excess Inventory Management