



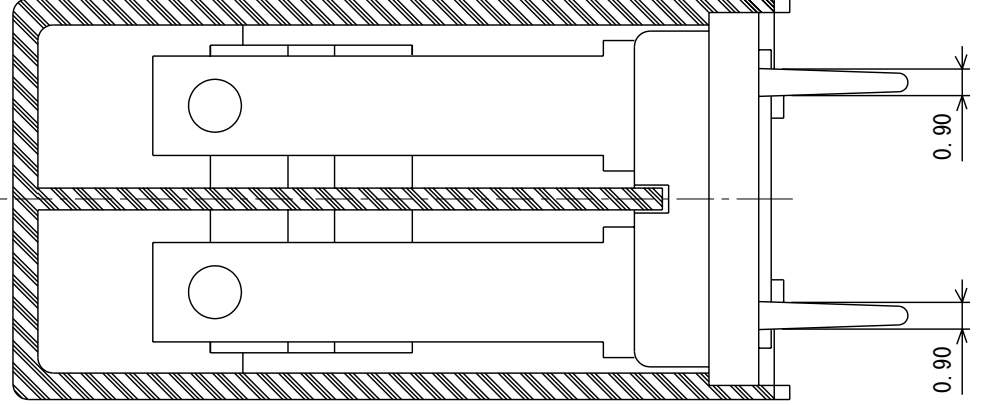
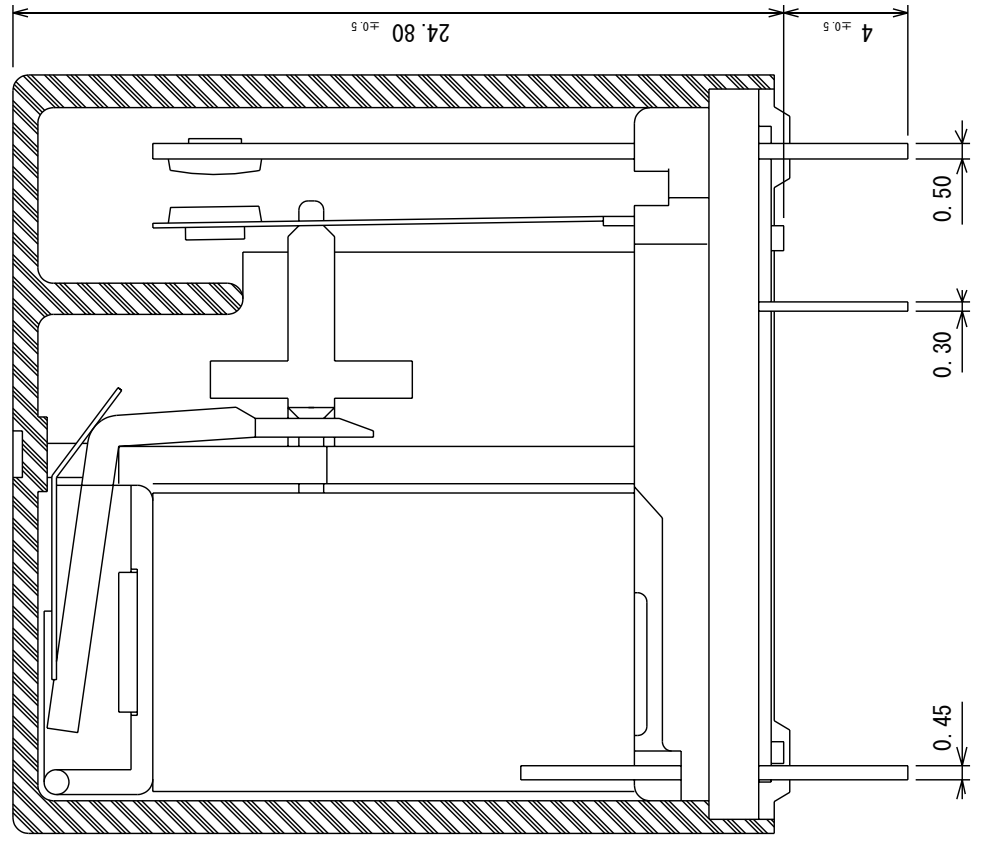
**THE DATASHEET OF
OSA-SH-212DM5,600**



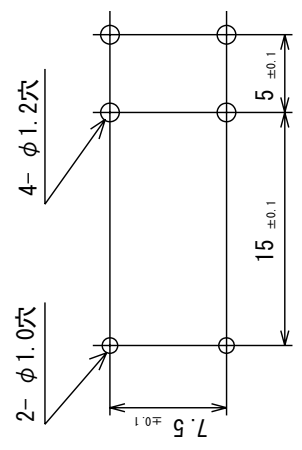
THIS DRAWING IS UNPUBLISHED. BY TYCOO ELECTRONICS CORPORATION. ALL RIGHTS RESERVED.

LOC	DIST		
HH		P	LTR
		D	IN

D



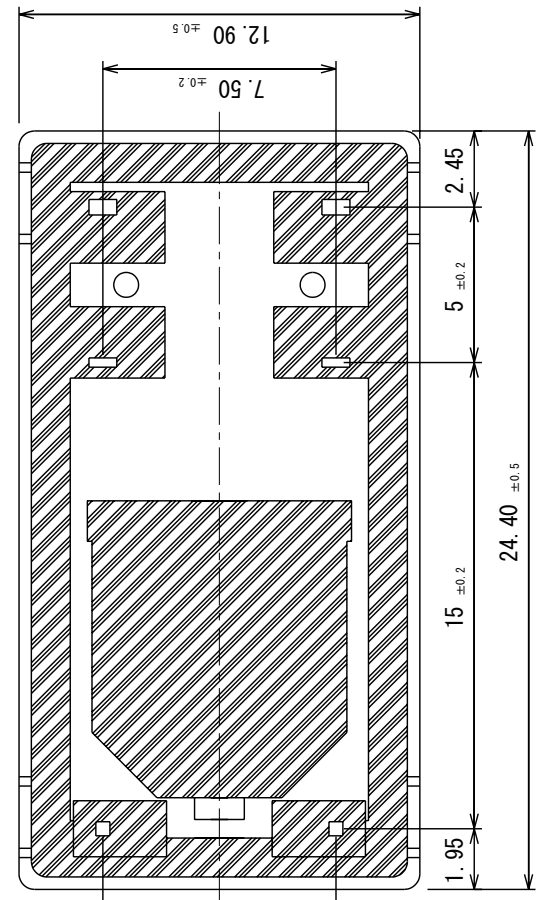
DRILLING DIAGRAM (BOTTM VIEW)
プリント基板加工図：底面図(2/1)



C

SEE

B



A

TOLERANCE

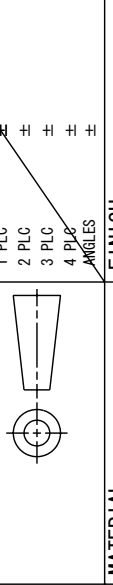
Diagram dimension	Tolerance
max. 1mm	±0.1mm
1 - 3mm	±0.2mm
min. 3mm	±0.3mm

THIS DRAWING IS A CONTROLLED DOCUMENT FOR TYCOO ELECTRONICS CORPORATION
IT IS SUBJECT TO CHANGE AND THE CONTROLLING ENGINEERING ORGANIZATION
SHOULD BE CONTACTED FOR THE LATEST REVISION.

DIMENSIONS:
単位：mm

0 PLC	±
1 PLC	±
2 PLC	±
3 PLC	±
4 PLC	±

ANGLES



MATERIAL
材料

FINISH
仕上

DWN	H. SASAKI
CHK	Y. OIKAWA
APVD	A. NAGAI
PRODUCT SPEC	製品規格
APPLICATION SPEC	取付適用規格
WEIGHT	-
CUSTOMER DRAWING	

Looking for pricing, stock, or lifecycle information?

Click below to explore more details on WIN SOURCE:

[View OSA-SH-212DM5,600 on WIN SOURCE](#)

[TE Connectivity Information](#)

Optimize Your Supply Chain with WIN SOURCE Solutions

- ✓ Global Sourcing Solution
- ✓ Obsolete Management
- ✓ Cost Control Management
- ✓ Shortage Management
- ✓ Alternative Solution
- ✓ Excess Inventory Management