



**THE DATASHEET OF
OMIF-S-112LM,300**



ATION
S RESERVED.

3

2

1

LOC	DIST
HH	

P	LTR	DESCRIPTION	ECN	DATE	DWN	APVD
A		RELEASE		25-OCT-06	F.B	Y.W

REVISIONS

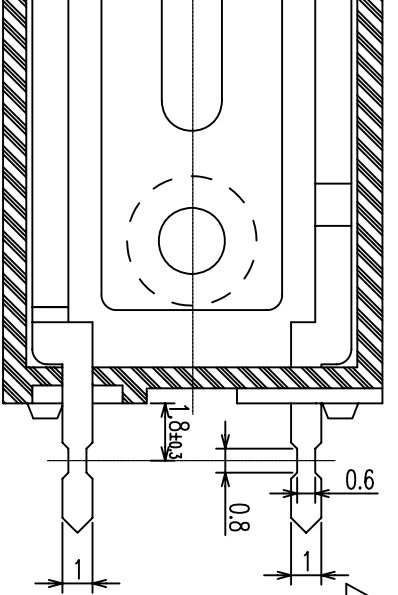
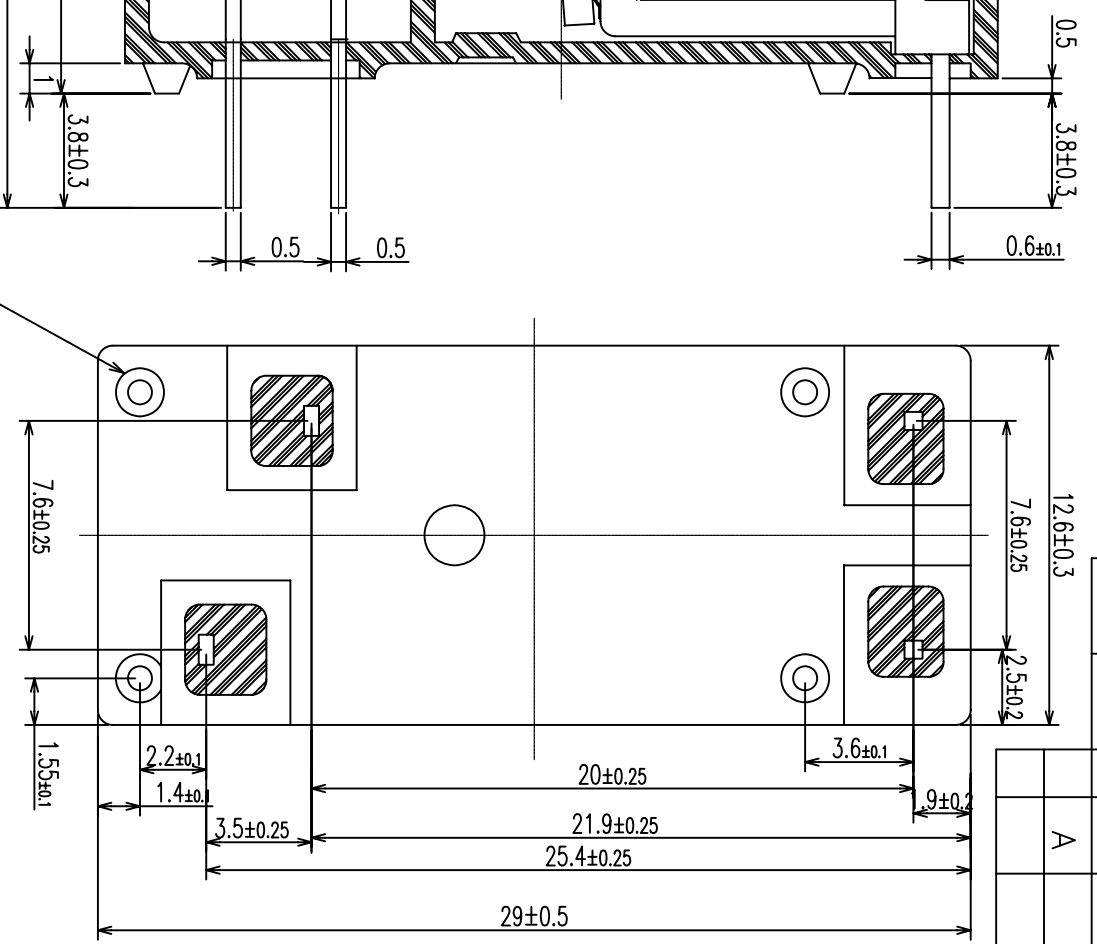


Diagram dimension	Tolerance
0.99mm max.	±0.1mm
1 - 2.99mm	±0.2mm
3mm min.	±0.3mm

THIS DRAWING IS A CONTROLLED DOCUMENT FOR TYCO ELECTRONICS CORPORATION
IT IS SUBJECT TO CHANGE AND THE CONTROLLING ENGINEERING ORGANIZATION
SHOULD BE CONTACTED FOR THE LATEST REVISION.

DIMENSIONS:
mm

TOLERANCES UNLESS
OTHERWISE SPECIFIED:

0 PLC	±
1 PLC	±
2 PLC	±
3 PLC	±
4 PLC	±

FINISH

MATERIAL
SEE MATERIAL TABLE

DWN Fu Bo

CHK XN,Zhong

APVD YAN, WEN

PRODUCT SPEC

APPLICATION SPEC

WEIGHT

CUSTOMER DRAWING



Tyco Electronics EC.K.K.
Tochigi, Japan

OMIF-S-LM ,000 CUSTOMER DRAWING

SIZE	GAGE CODE	DRAWING NO	SCALE	SHEET	REV
A3	00779	1419123-9	4:1	1 of 2	A

RESTRICTED TO

6

5

4

3

2

1

ATION
S RESERVED.

3

2

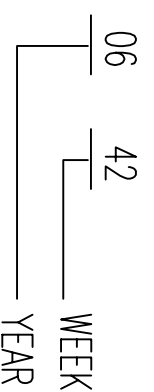
1

LOC	DIST	REVISIONS						
HH		P	LTR	DESCRIPTION	ECN	DATE	DWN	APVD

PART NO	EC TYPE NO	PART B	PART A	TYPE
2-1419123-7	OMIF-S-124LM,000	24	OMIF-S-124LM	d
2-1419123-2	OMIF-S-118LM,000	18	OMIF-S-118LM	c
1419123-9	OMIF-S-112LM,000	12	OMIF-S-112LM	b
1419123-7	OMIF-S-109LM,000	9	OMIF-S-109LM	a

RELAY TYPE

NOTE.
1.THE LOT NO. ACCORDING TO THE FOLLOWING:

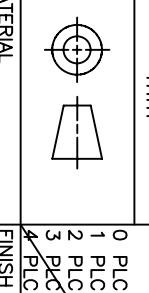


AR	AR	AR	AR	AR			EPXY RESIN	SEAL		16
AR	AR	AR	AR	AR			UEN	MAGNETIC WIRE		15
1	1	1	1	1	94V-0		PBT	CASE		14
1	1	1	1	1	94V-0		PET	BASE		13
1	1	1	1	1	94V-0		PBT	BOBBIN		12
2	2	2	2	2		SOLDER DIP	CP WIRE	COIL TERMINAL		11
1	1	1	1	1	94V-0		PPS	CARD		10
1	1	1	1	1			Ag ALLOY	MOVABLE CONTACT		9
1	1	1	1	1			Ag ALLOY	STATIONARY CONTACT		8
1	1	1	1	1			Cu ALLOY	HINGE SPRING		7
1	1	1	1	1			Cu ALLOY	MOVABLE SPRING		6
1	1	1	1	1		SOLDER DIP	Cu ALLOY	C-TERMINAL		5
1	1	1	1	1		SOLDER DIP	Cu ALLOY	M-TERMINAL		4
1	1	1	1	1		FMN 2	STEEL	CORE		3
1	1	1	1	1		FMN 2	STEEL	ARMATURE		2
1	1	1	1	1		FMN 2	STEEL	YOKE		1

THIS DRAWING IS A CONTROLLED DOCUMENT FOR TYCO ELECTRONICS CORPORATION
IT IS SUBJECT TO CHANGE AND THE CONTROLLING ENGINEERING ORGANIZATION
SHOULD BE CONTACTED FOR THE LATEST REVISION.

DIMENSIONS:
mm

TOLERANCES UNLESS
OTHERWISE SPECIFIED:



0 PLC
1 PLC
2 PLC
3 PLC
4 PLC

FINISH

MATERIAL
SEE MATERIAL TABLE

DWN Fu,Bo
CHK XN,Zhong

tyco
Electronics
Tyco Electronics EC K.K.
Tochigi, Japan

APVD YAN,WEN

OMIF-S-LM,000 CUSTOMER DRAWING

PRODUCT SPEC

APPLICATION SPEC

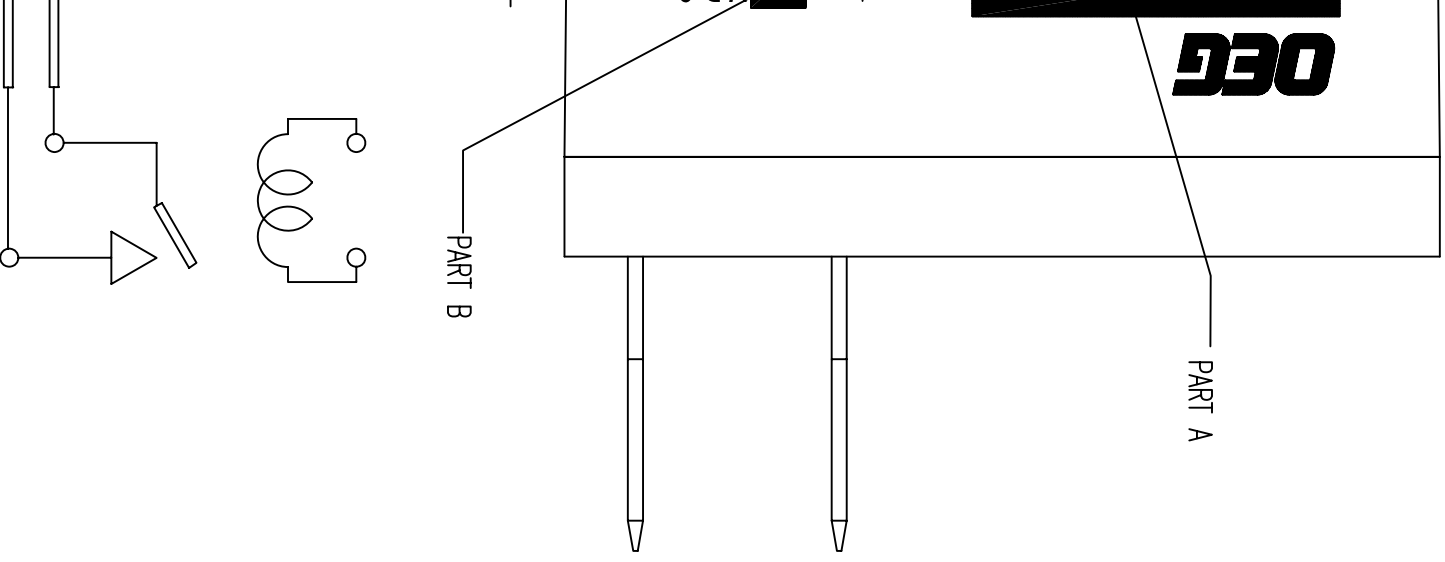
WEIGHT

CUSTOMER DRAWING

SIZE A3
GAGE CODE 00779
DRAWING NO 1419123-9
RESTRICTED TO

SCALE 4:1
SHEET 2 of 2

REV A

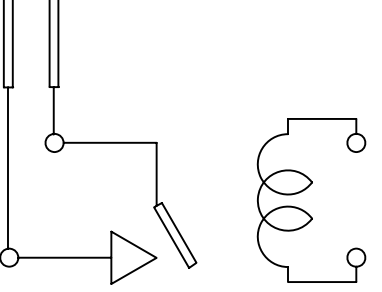


930

PART A

PART B

CONNECTION DIAGRAM



6

5

4

3

2

1

Looking for pricing, stock, or lifecycle information?

Click below to explore more details on WIN SOURCE:

[View OMIF-S-112LM,300 on WIN SOURCE](#)

[TE Connectivity Information](#)

Optimize Your Supply Chain with WIN SOURCE Solutions

- ✓ Global Sourcing Solution
- ✓ Obsolete Management
- ✓ Cost Control Management
- ✓ Shortage Management
- ✓ Alternative Solution
- ✓ Excess Inventory Management