



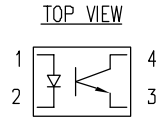
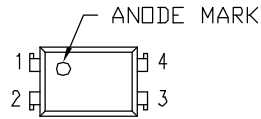
**THE DATASHEET OF  
OCP-PCT114/C**



UNCONTROLLED DOCUMENT

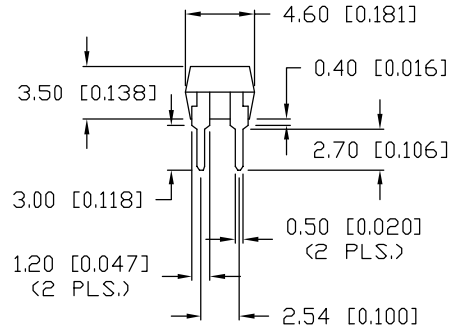
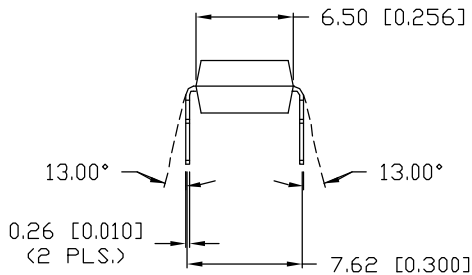
PART NUMBER  
OCP-PCT114/X

REV.  
C



NOTES:

1. ANODE
2. CATHODE
3. EMITTER
4. COLLECTOR



PART= /X	CTR (%)
/A	60 TO 160
/B	130 TO 260
/C	200 TO 400
/D	300 TO 600
/E	50 TO 600

PARAMETER	SYMBOL	MAX	UNITS
I	FORWARD CURRENT	IF	50 mA
	PEAK FORWARD CURRENT	IFM	1 A
	REVERSE VOLTAGE	VR	6 V
	POWER DISSIPATION	Pd	70 mW
O	COLLECTOR-EMITTER VOLTAGE	VCE0	60 V
	EMITTER-COLLECTOR VOLTAGE	VECO	6 V
	COLLECTOR CURRENT	IC	50 mA
	COLLECTOR POWER DISSIPATION	Pc	150 mW
	TOTAL POWER DISSIPATION	Ptot	200 mW
	ISOLATION VOLTAGE 1 MIN.	VISO	5000 VRMS
	OPERATING TEMPERATURE	Topr	-30 TO +100 °C
	STORAGE TEMPERATURE	Tstg	-55 TO +125 °C
	SOLDERING TEMPERATURE	Tsol	+260 °C
	2.0mm FROM BODY		10 SEC. MAX

PARAMETER	SYMBOL	CONDITIONS	MIN	TYP	MAX	UNITS
I	FORWARD VOLTAGE	VF		1.2	1.4	V
	PEAK FORWARD VOLTAGE	VFM			3.5	V
	REVERSE CURRENT	IR			10	µA
	TERMINAL CAPACITANCE	Ct		30		pF
O	COLLECTOR DARK CURRENT	Ice0			10 <sup>-7</sup>	A
T	CURRENT TRANSFER RATIO	CRT		50	600	%
	COLLECTOR-EMITTER SATURATION VOLTAGE	VCE(sat)		0.1	0.3	V
	ISOLATION RESISTANCE	Riso	5x10 <sup>10</sup>	10 <sup>11</sup>		ohm
	FLOATING CAPACITANCE	Cf		0.6	1.0	pF
	CUT-OFF FREQUENCY	fc		80		kHz
	RESPONSE TIME (RISE)	tr		5	20	µS
	RESPONSE TIME (FALL)	tf		4	20	µS

I=INPUT, O=OUTPUT, T=TRANSFER CHARACTERISTICS.

\*UNLESS OTHERWISE SPECIFIED TOLERANCES PER DECIMAL PRECISION ARE: X=±1 (±0.039), X.X=±0.5 (±0.020), X.XX=±0.25 (±0.010), X.XXX=±0.127 (±0.005). LEAD SIZE=±0.05 (±0.002), LEAD LENGTH=±0.75 (±0.030). MIN.=+DECIMAL PRECISION MAX.=+0.00 -DECIMAL PRECISION

UNCONTROLLED DOCUMENT

REV.  
C

PART NUMBER  
OCP-PCT114/X

CONFIDENTIAL INFORMATION  
THE INFORMATION CONTAINED IN THIS DOCUMENT IS THE PROPERTY OF LUMEX INC. EXCEPT AS SPECIFICALLY AUTHORIZED IN WRITING BY LUMEX INC., THE HOLDER OF THIS DOCUMENT SHALL KEEP ALL INFORMATION CONTAINED HEREIN CONFIDENTIAL AND SHALL PROTECT SAME IN WHOLE OR IN PART FROM DISCLOSURE AND DISSEMINATION TO ALL THIRD PARTIES.



290 E. HELEN ROAD  
PALATINE, IL 60067-6976  
PHONE: +1.847.359.2790  
US WEB: www.lumex.com  
TW WEB: www.lumex.com.tw

FOUR PIN DIP SINGLE CHANNEL PHOTOCOUPLER,  
TRANSISTOR OUTPUT, NO EXTERNAL BASE CONNECTION.

RELIABILITY NOTE  
OUR MANY YEARS OF EXPERIENCE DATA ACCUMULATION INDICATE THAT SOLDER HEAT IS A MAJOR CAUSE OF EARLY AND FUTURE FAILURE. PLEASE PAY ATTENTION TO YOUR SOLDERING PROCESS.

DRAWN BY: JC	CHECKED BY:	APPROVED BY:	DATE: 9.29.99
			PAGE: 1 OF 1
			SCALE: N/A

## Looking for pricing, stock, or lifecycle information?

Click below to explore more details on WIN SOURCE:

- ⊖ [View OCP-PCT114/C on WIN SOURCE](#)
- ⊖ [Lumex Opto/Components Inc. Information](#)

## Optimize Your Supply Chain with WIN SOURCE Solutions

- ✓ Global Sourcing Solution
- ✓ Obsolete Management
- ✓ Cost Control Management
- ✓ Shortage Management
- ✓ Alternative Solution
- ✓ Excess Inventory Management