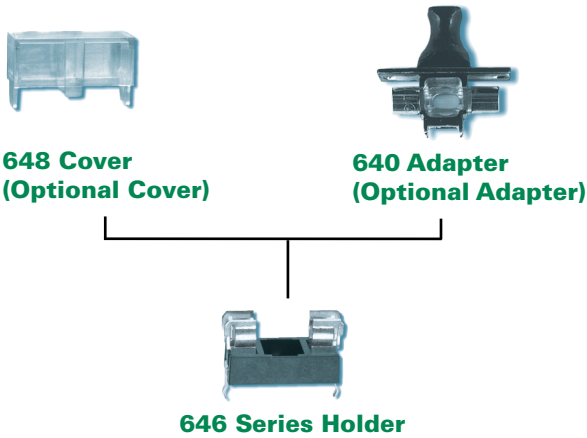




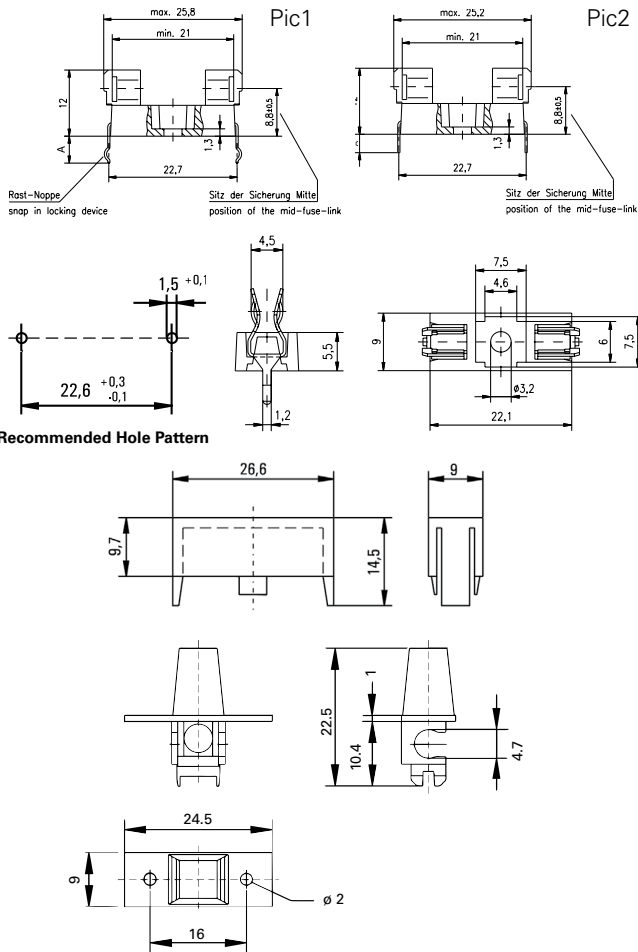
**THE DATASHEET OF**  
**64600001223**



## 646 Series Molded Base Fuse Block For 5x20mm Fuses



### Dimensions



Contact Littelfuse for an auto-insertable fuse, holder and adapter assembly.  
Note: 1.00 means the number one with two decimal places. 1,000 means the number one thousand.

### Product Characteristics

Compatible Fuse Sizes	For 5x20mm Fuses
<b>Materials</b>	<b>Holder:</b> Black Thermoplastic, UL94 V-0 Polyamide PA 6.6
	<b>Cover:</b> Transparent Thermoplastic, UL94 V-0, Polycarbonate PC
	<b>Adapter:</b> Polyester PBT, UL94 V-0
	<b>Metal Parts:</b> Tin plated Copper alloy
<b>Electrical Data (23°C)</b>	<b>Rated Voltage:</b> 250V
	<b>Max. Current/Power:</b> 6.3A/2.5W 5A/1W (with No. 648) 6.3A/1.6W (with No. 640)
<b>Mounting</b>	Solder pins 0.5mmx1.2mm Ø 3mm screw hole may be used optionally
<b>Minimum Cross Section</b>	Conducting path - 0.2mm <sup>2</sup>
<b>Unit Weight</b>	1.6g (Holder), 1.0g (Cover), 1.0g (Adapter)

### Ordering Information

Ordering PN	Description	Pic	Meas. "A"	for PCB-thickness
<b>64600001003</b>	Fuse Block	1	5mm	3mm
<b>64600001223</b>	Fuse Block	1	3.2mm	1.5mm
<b>64600001233</b>	Fuse Block	2	3.3mm	1.5mm

Ordering PN	Description	Fuse PN	Block PN
<b>64611257133</b>	Fuse & Block Assy.	02181.25MXP	6460001233
<b>64612007113</b>	Fuse & Block Assy.	0215002.MXP	
<b>64612007123</b>	Fuse & Block Assy.	0219002.MXAP	
<b>64614007143</b>	Fuse & Block Assy.	0218004.MXP	
<b>64614007183</b>	Fuse & Block Assy.	0215004.MXP	

Ordering PN	Description
<b>64000001003</b>	Adapter - Black
<b>64000001403</b>	Adapter - Brown
<b>64000001503</b>	Adapter - White
<b>64000001603</b>	Adapter - Yellow
<b>64000001703</b>	Adapter - Green
<b>64000001903</b>	Adapter - Blue
<b>64800001009</b>	Clear Cover

### Additional Information



**Datasheet**



**Resources**



**Samples**

**Disclaimer Notice - Information furnished is believed to be accurate and reliable. However, users should independently evaluate the suitability of and test each product selected for their own applications. Littelfuse products are not designed for, and may not be used in, all applications. Read complete Disclaimer Notice at [www.littelfuse.com/disclaimer-electronics](http://www.littelfuse.com/disclaimer-electronics).**

## Looking for pricing, stock, or lifecycle information?

Click below to explore more details on WIN SOURCE:

 [View 64600001223 on WIN SOURCE](#)

 [Littelfuse Inc. Information](#)

## Optimize Your Supply Chain with WIN SOURCE Solutions

-  Global Sourcing Solution
-  Obsolete Management
-  Cost Control Management
-  Shortage Management
-  Alternative Solution
-  Excess Inventory Management