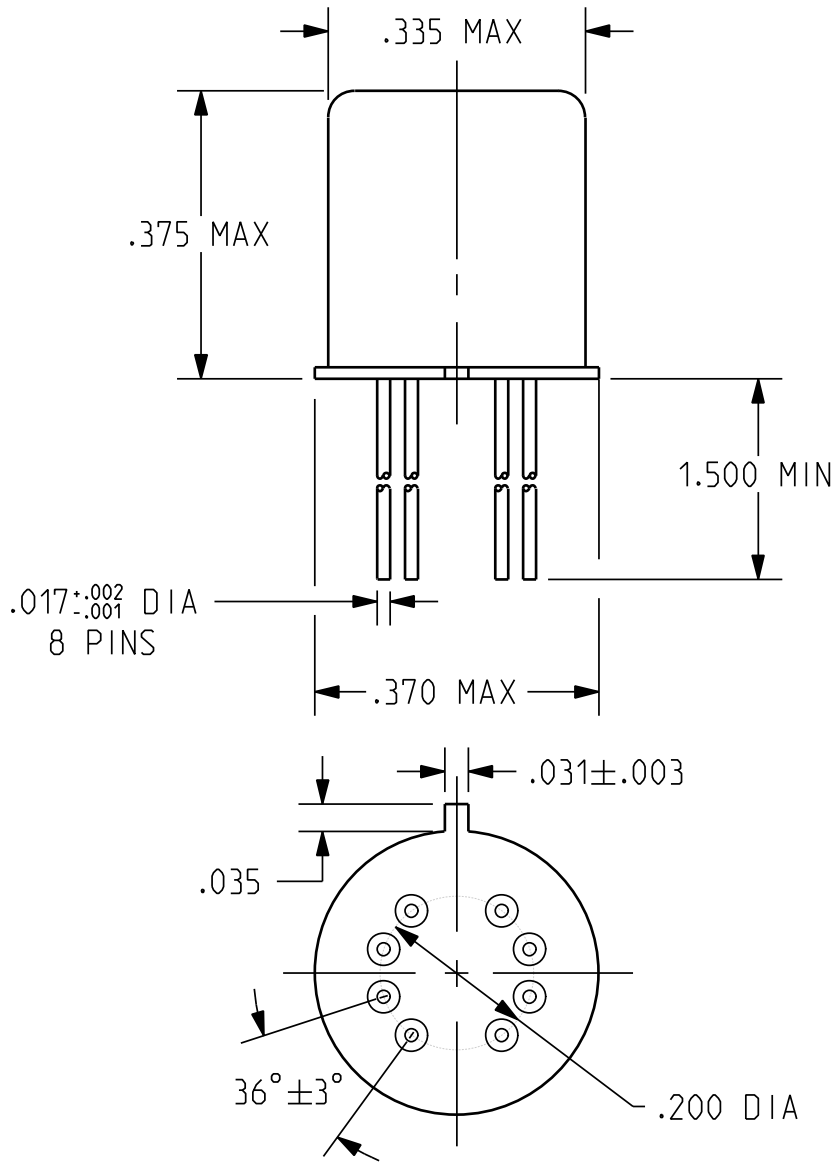




**THE DATASHEET OF  
JMSW-26XM**



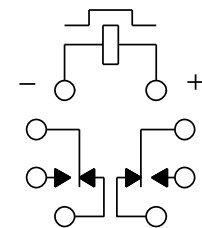


REV. A  
DCO 144374

|                 |                            |
|-----------------|----------------------------|
| COIL: @ 25°C    |                            |
| RESISTANCE      | 3300 OHMS ±10%             |
| NOMINAL VOLTAGE | 26.5 VDC                   |
| MUST OPERATE    | 14.0 VDC                   |
| MUST RELEASE    | 8.0 VDC MAX., 1.4 VDC MIN. |

|              |  |
|--------------|--|
| ENVIRONMENT: |  |
| VIBRATION    | 10 Hz TO 3000 Hz @ 30 g's              |
| SHOCK        | 75 g's 6 MS. DURATION                  |
| TEMPERATURE  | -65 °C TO +125 °C                      |
| NOTES:       | OPERATE TIME 4 MS MAX.                 |
|              | RELEASE TIME 2.0 MS MAX.               |
|              | CONTACT STABILIZATION TIME 2.0 MS MAX. |

CUSTOMER DATA SHEET



TERMINAL VIEW

CONTACT RATING: LOW LEVEL TO 1A  
28 VDC RESISTIVE 100,000 OPERATIONS

DR. B.D. 14AUG2007

CK. J.M.B. 8/15/07



©COPYRIGHT 2005  
TYCO ELECTRONICS CORPORATION  
ALL INTERNATIONAL RIGHTS RESERVED

CUST. QPL  
CUST. NO. M39016/11-023M REV. \_\_\_\_\_

TYCO NUMBER  
ELECTRONICS  
1617131-4

CII PART NUMBER

JMSW -26XM

## Looking for pricing, stock, or lifecycle information?

Click below to explore more details on WIN SOURCE:

 [View JMSW-26XM](#) on WIN SOURCE

 [TE Connectivity](#) Information

## Optimize Your Supply Chain with WIN SOURCE Solutions

-  Global Sourcing Solution
-  Obsolete Management
-  Cost Control Management
-  Shortage Management
-  Alternative Solution
-  Excess Inventory Management