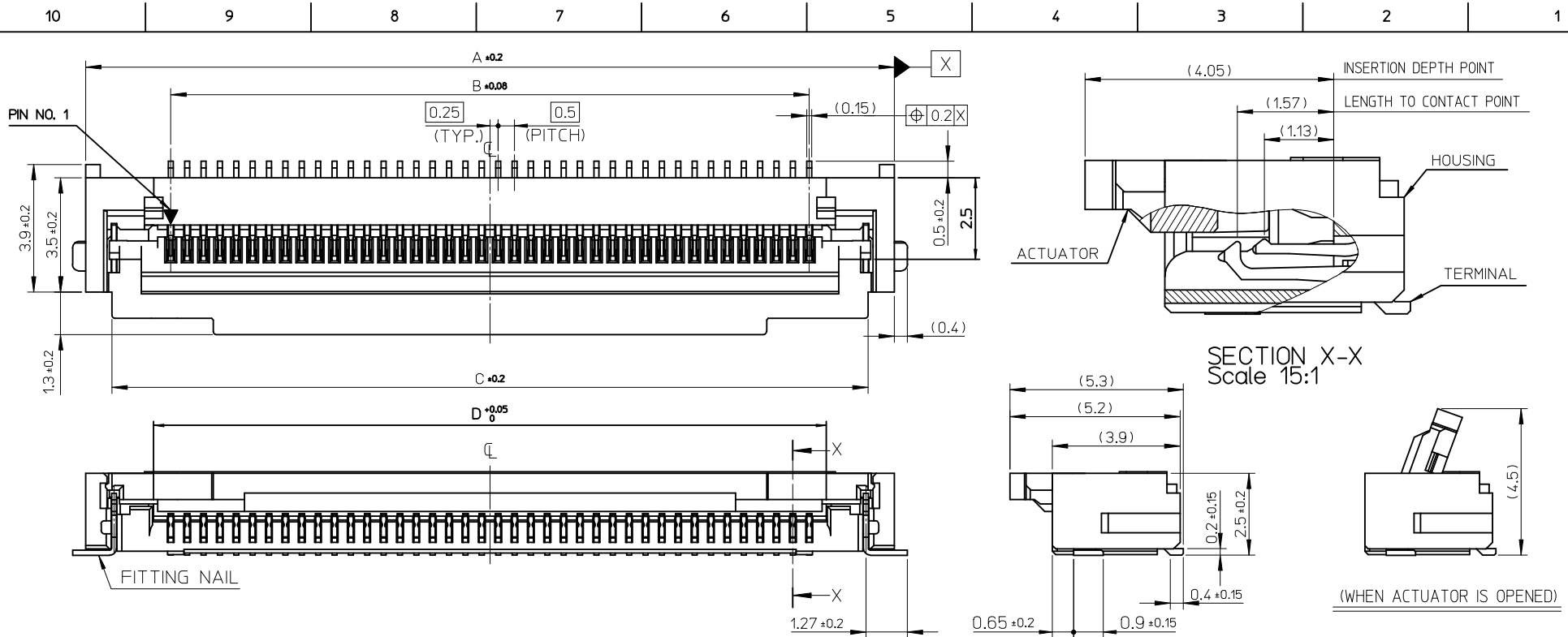




**THE DATASHEET OF**  
**1040606017**





**NOTES**

1. MATERIAL
 

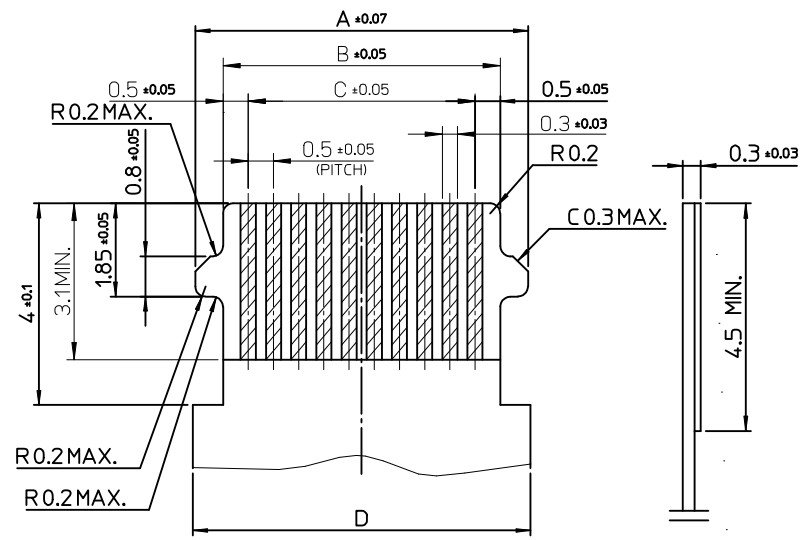
HOUSING	LIQUID CRYSTAL POLYMER GLASS FILLED,UL94V-0(BEIGE)		4. FITTING NAIL FOR PREVENTION OF PEELING OF P.C.B. PATTERN.
ACTUATOR	PPS GLASS FILLED, UL94V-0(BLACK)		5. R0.3 MUST NOT BE OVERLAPPED TO PATTERN OF FPC/FFC.
TERMINAL	PHOSPHOR BRONZE		6. N: CIRCUIT.
FITTING NAIL	PHOSPHOR BRONZE		7. ELV AND RoHS COMPLIANT
2. PLATING
 

TERMINAL	CONTACT AREA : SEPARATED GOLD PLATING (0.05 MICROMETER MINIMUM) SOLDER TAIL AREA : SEPARATED GOLD PLATING UNDERPLATE : NICKEL OVERALL (1.0 MICROMETER MINIMUM)		8. TAILS AND NAILS COPLANALITY TO BE 0.1mm MAX.
FITTING NAIL	TIN PLATING (1.0 MICROMETER MIN.) UNDER PLATING : NICKEL PLATING (1.0 MICROMETER MIN.)		
3. IN THE PACKAGE, ACTUATOR OF PART 104060-\*\*10 SHOULD BE CLOSED.

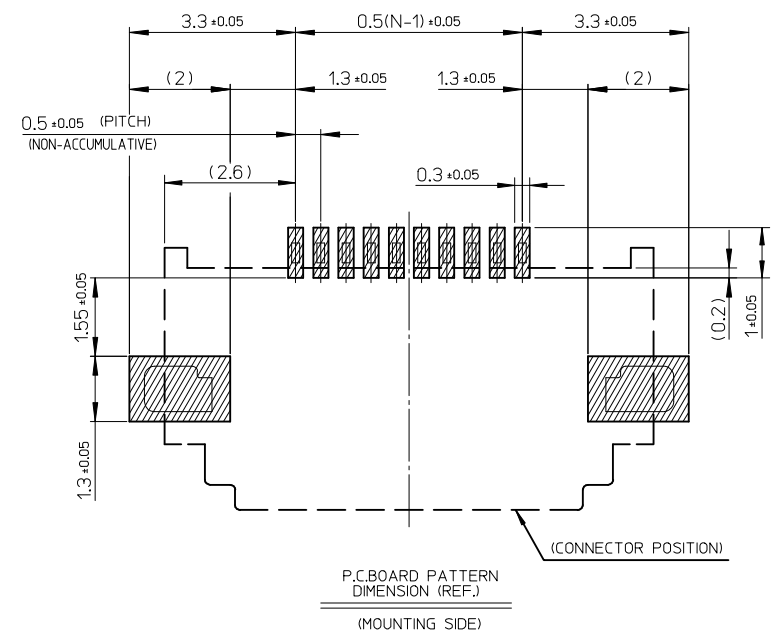
40.55	43.1	39.5	44.7	104060-8010	104060-8017	80
30.55	33.1	29.5	34.7	104060-6010	104060-6017	60
D	C	B	A	MATERIAL NO.	EMBOSSED PACKAGE	CIRCUIT

CONNECTOR SERIES No. 104060-\*\*\*10

REVISED EC NO: KOR2016-0118 DRWN:YRK/IM 2016/05/27 CHKD:SK/IM 2016/05/30 APPR:YSK/IM02 2016/05/31	DESCRIPTION REV	QUALITY SYMBOLS ▽=0 ◻=0	GENERAL TOLERANCES (UNLESS SPECIFIED)	DIMENSION STYLE <b>MM ONLY</b>	SCALE <b>1:1</b>	DESIGN UNITS <b>METRIC</b>	THIRD ANGLE PROJECTION															
		<table border="1" style="width: 100%; border-collapse: collapse; text-align: center;"> <tr> <th></th> <th>mm</th> <th>INCH</th> </tr> <tr> <td>4 PLACES</td> <td>± ---</td> <td>± ---</td> </tr> <tr> <td>3 PLACES</td> <td>± ---</td> <td>± ---</td> </tr> <tr> <td>2 PLACES</td> <td>± ---</td> <td>± ---</td> </tr> <tr> <td>1 PLACE</td> <td>± 0.3</td> <td>± ---</td> </tr> </table>		mm	INCH	4 PLACES	± ---	± ---	3 PLACES	± ---	± ---	2 PLACES	± ---	± ---	1 PLACE	± 0.3	± ---	DRAWN BY YR.KIM	DATE 2009/06/26	<b>0.5 FFC E/O DUAL CONTACT HOUSING ASS'Y</b>  <b>MOLEX INCORPORATED</b>  MATERIAL NO. SD-104060-001		
			mm	INCH																		
		4 PLACES	± ---	± ---																		
3 PLACES	± ---	± ---																				
2 PLACES	± ---	± ---																				
1 PLACE	± 0.3	± ---																				
ANGULAR ± 1 °	CHECKED BY YS00.KIM	DATE 2009/06/26																				
DRAFT WHERE APPLICABLE MUST REMAIN WITHIN DIMENSIONS	APPROVED BY YS00.KIM	DATE 2009/06/26																				
SIZE <b>A3</b>	SEE TABLE		DOCUMENT NO.	SHEET NO. 1 OF 3																		

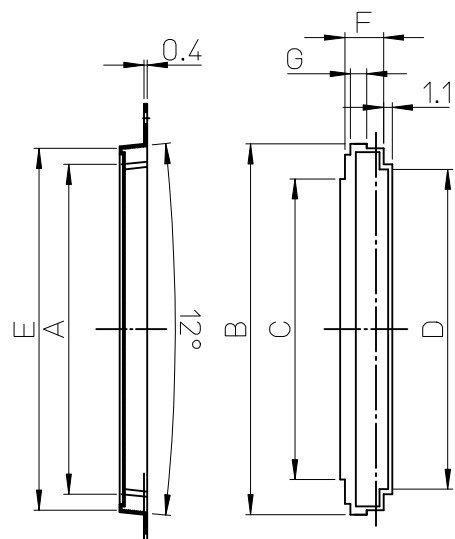
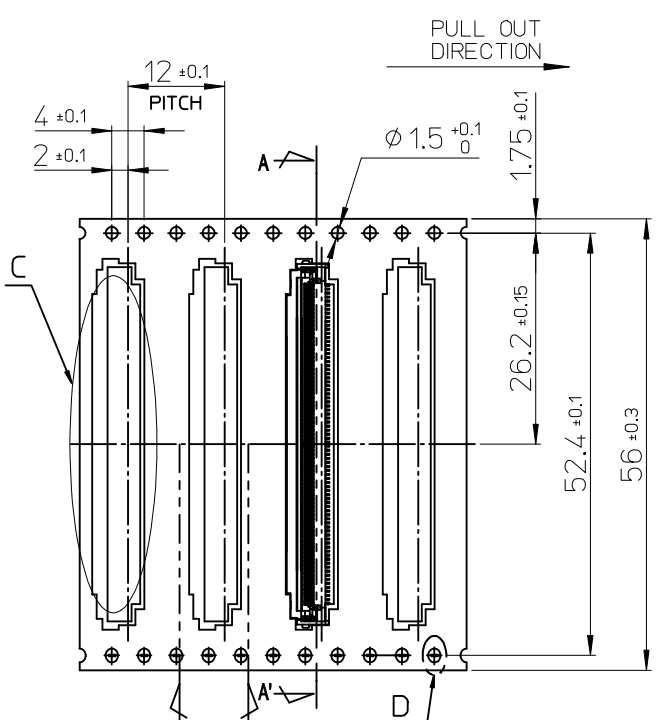


APPLICABLE FPC/FFC  
RECOMMENDED DIMENSION



42.3	39.5	40.5	42.2	80
32.3	29.5	30.5	32.2	60
D	C	B	A	CIRCUIT

REVISED EC NO: KOR2016-0118 DRWN:YRKIM 2016/05/27 CHKD:KSKIM 2016/05/30 APPR:YSKIM02 2016/05/31	QUALITY SYMBOLS	GENERAL TOLERANCES (UNLESS SPECIFIED)	DIMENSION STYLE	SCALE	DESIGN UNITS	THIRD ANGLE PROJECTION
	$\nabla = 0$ $\nabla C = 0$	mm INCH	MM ONLY	1:1	METRIC	
		4 PLACES $\pm$ --- $\pm$ ---	DRAWN BY DATE			TITLE
		3 PLACES $\pm$ --- $\pm$ ---	YR.KIM 2009/06/26			0.5 FFC E/O DUAL CONTACT HOUSING ASS'Y
	2 PLACES $\pm$ --- $\pm$ ---	CHECKED BY DATE				
	1 PLACE $\pm 0.3$ $\pm$ ---	YS00.KIM 2009/06/26				
	ANGULAR $\pm 1^\circ$	APPROVED BY DATE				
		YS00.KIM 2009/06/26				
		MATERIAL NO.			DOCUMENT NO.	SHEET NO.
					SD-104060-001	2 OF 3
		DRAFT WHERE APPLICABLE MUST REMAIN WITHIN DIMENSIONS	SIZE	THIS DRAWING CONTAINS INFORMATION THAT IS PROPRIETARY TO MOLEX INCORPORATED AND SHOULD NOT BE USED WITHOUT WRITTEN PERMISSION		
			A3			



NOTES

1. NUMBER OF CONNECTORS : 2,400PCS/REEL
2. LEAD TAPE LENGTH  

4.5 ±10

10~20PCS MIN. (NUMBER OF EMPTY PART)

PULL OUT DIRECTION

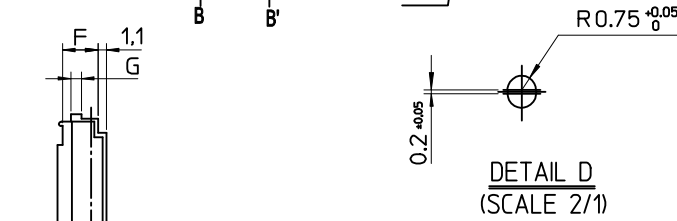
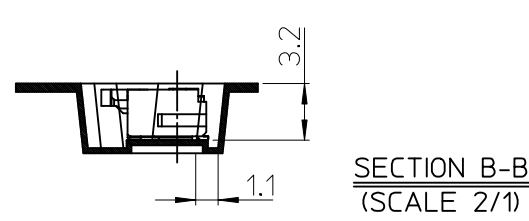
TOP TAPE LEADER PART 400 MIN.

COMPONENT SUPPLIER

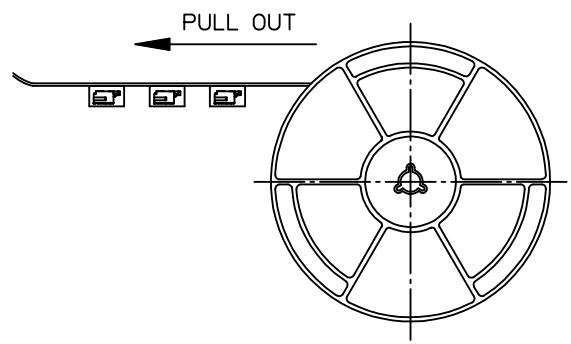
TAIL PART (EMPTY) 20~30 PCS
3. FOR DIMENSIONS OF PRODUCT, REFER TO SD-104060-001.
4. MATERIAL  
 CARRIER TAPE : POLYETHYLENE TEREPHTHALATE  
 TOP TAPE : POLYETHYLENE TEREPHTHALATE , POLYETHYLENE  
 REEL : POLYSTYRENE<RECYCLE MATERIAL CONTAINED>
5. ELV AND RoHS COMPLIANT
6. PEELING OFF FORCE OF COVER TAPE : 0.1N~0.59N(10.2GF~60GF)  
 (PEELING DIRECTION AS SHOW IN FOLLOW FIG.)  
 PEELING OFF SPEED : 300mm/Min.(Ref.)  

PULL OUT DIRECTION

PEEL OFF DIRECTION



104060-6099



35902-0021	104060-8099	2.0	4.8	44.9	39.7	37.3	46	44.9	104060-8017	80
35902-0021	104060-6099	1.4	4.7	34.65	29.7	27.7	35.8	30.9	104060-6017	60
COVER TAPE	EMBOSS TAPE	G	F	E	D	C	B	A	MATERIAL NO.	CIRCUIT

REVISED EC NO: KOR2016-0118 DRWN:YRKIM 2016/05/27 CHKD:SKIM 2016/05/30 APPR:YSKIM02 2016/05/31	QUALITY SYMBOLS ▽=0 ◻=0	GENERAL TOLERANCES (UNLESS SPECIFIED)		DIMENSION STYLE MM ONLY		SCALE 10:1	DESIGN UNITS METRIC	THIRD ANGLE PROJECTION		
		mm	INCH	DRAWN BY	DATE	TITLE				
		4 PLACES ± ---	± ---	YR.KIM	2009/06/26	0.5 FFC E/O DUAL CONTACT HOUSING ASS'Y				
		3 PLACES ± ---	± ---	CHECKED BY	DATE	MOLEX INCORPORATED				
2 PLACES ± ---	± ---	YS00.KIM	2009/06/26	APPROVED BY		DATE	DOCUMENT NO.			
1 PLACE ± 0.3	± ---	YS00.KIM	2009/06/26	MATERIAL NO.		SD-104060-001				
DRAFT WHERE APPLICABLE MUST REMAIN WITHIN DIMENSIONS		SEE TABLE		SIZE		SHEET NO.				
				A3		3 OF 3				
THIS DRAWING CONTAINS INFORMATION THAT IS PROPRIETARY TO MOLEX INCORPORATED AND SHOULD NOT BE USED WITHOUT WRITTEN PERMISSION										

## Looking for pricing, stock, or lifecycle information?

Click below to explore more details on WIN SOURCE:

 [View 1040606017 on WIN SOURCE](#)

 [Molex, LLC Information](#)

## Optimize Your Supply Chain with WIN SOURCE Solutions

-  Global Sourcing Solution
-  Obsolete Management
-  Cost Control Management
-  Shortage Management
-  Alternative Solution
-  Excess Inventory Management