

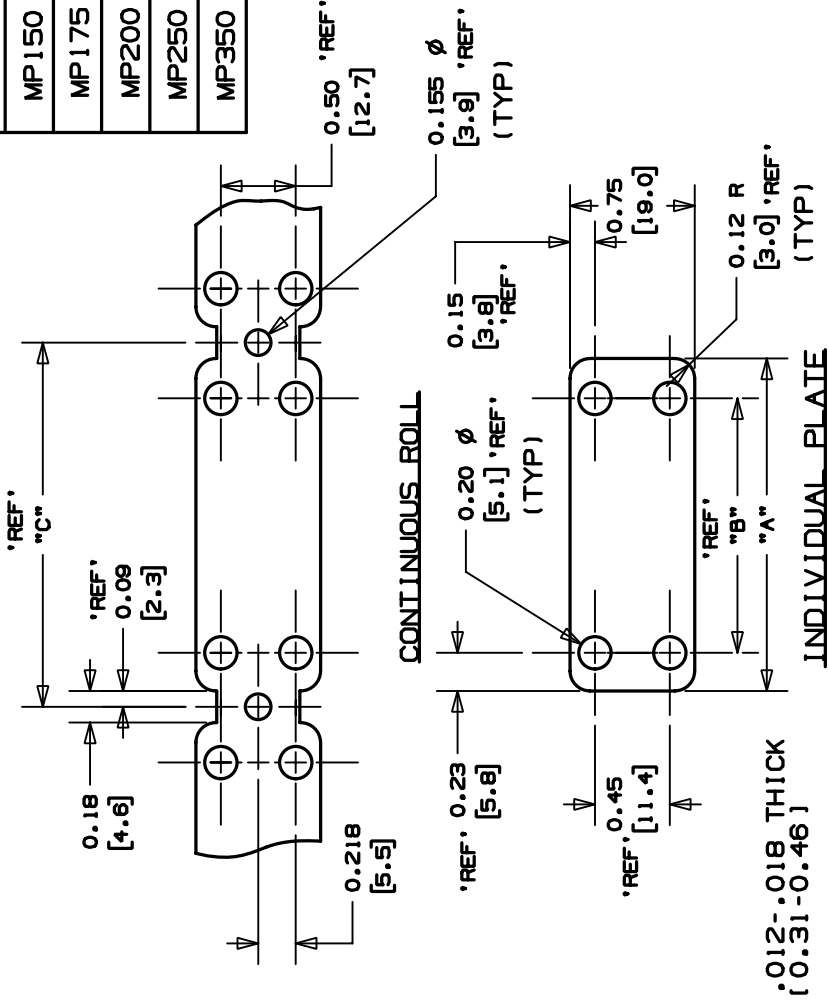


# THE DATASHEET OF MP150-M



THIS COPY IS PROVIDED ON A RESTRICTED BASIS AND IS NOT TO BE USED IN ANY WAY DETRIMENTAL TO THE INTERESTS OF

PANDUIT PART NO.	A ±.030 ±(.762)	B
MP150	1.50 (38.1)	1.03 (26.2)
MP175	1.75 (44.4)	1.28 (32.5)
MP200	2.00 (50.8)	1.53 (38.9)
MP250	2.50 (63.5)	2.03 (51.6)
MP350	3.50 (88.9)	3.03 (77.7)



- NOTES:
- SEE CURRENT PRICE SUFFIX DESIGNATION USE WITH ANY OF THE
  - M=MINIATURE I=INTERMEDIATE S=STANDARD
  - PART NO. & WEIGHT S INDIVIDUAL PIECES TO PART NO. TO SPEC ROLLS OF 1,000 PIECES MP350 IS NOT AVAILABLE

DIMENSIONS IN BRACKETS  
CAD FILE NAME: 6002396M\_PB\_MR

**PANDUIT** CORP.

IDENTIFIC  
MARKER PL

UNLESS OTHERWISE SPECIFIED,  
DIMENSIONAL TOLERANCES ARE:  
(.X) ±0.05 (1.31) ±0.010 (0.2  
(.XX) ±0.02 (0.5) ANGLES ±.5°

DRAWN BY JAD MAT'L

DATE 1/10/2000



CHK'D

WHITE  
NYLON

REV	DATE	BY	CHK	DESCRIPTION	ECN	R	CUST	SUP
2	10-22-01	LGG		TOOK OF +/- REF FROM 'B' & 'C' DUE TO ADDED 'REF' ON REV 2	6802396M	2		
1	8/14/01	LGG		ADDED REF & UPDATED	6802396M	1		
R	1-10-00	JAD		INITIAL RELEASE, REPLACES SS-4551 REV 5	6802396M	R		

## Looking for pricing, stock, or lifecycle information?

Click below to explore more details on WIN SOURCE:

-  [View MP150-M on WIN SOURCE](#)
-  [Panduit Corp Information](#)

## Optimize Your Supply Chain with WIN SOURCE Solutions

-  Global Sourcing Solution
-  Obsolete Management
-  Cost Control Management
-  Shortage Management
-  Alternative Solution
-  Excess Inventory Management