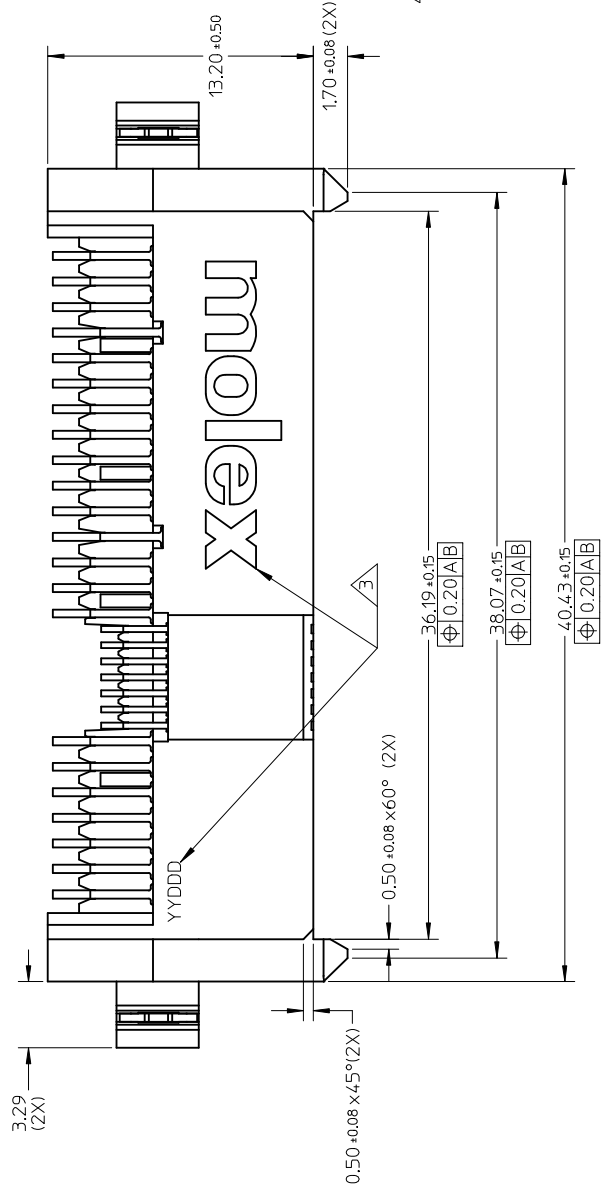




THE DATASHEET OF
879450001





NOTES:

1. MATERIAL

HOUSING: NYLON 9T, GLASS FILLED
 CAP: LCP, GLASS FILLED, UL 94V-
 TERMINAL: COPPER ALLOY

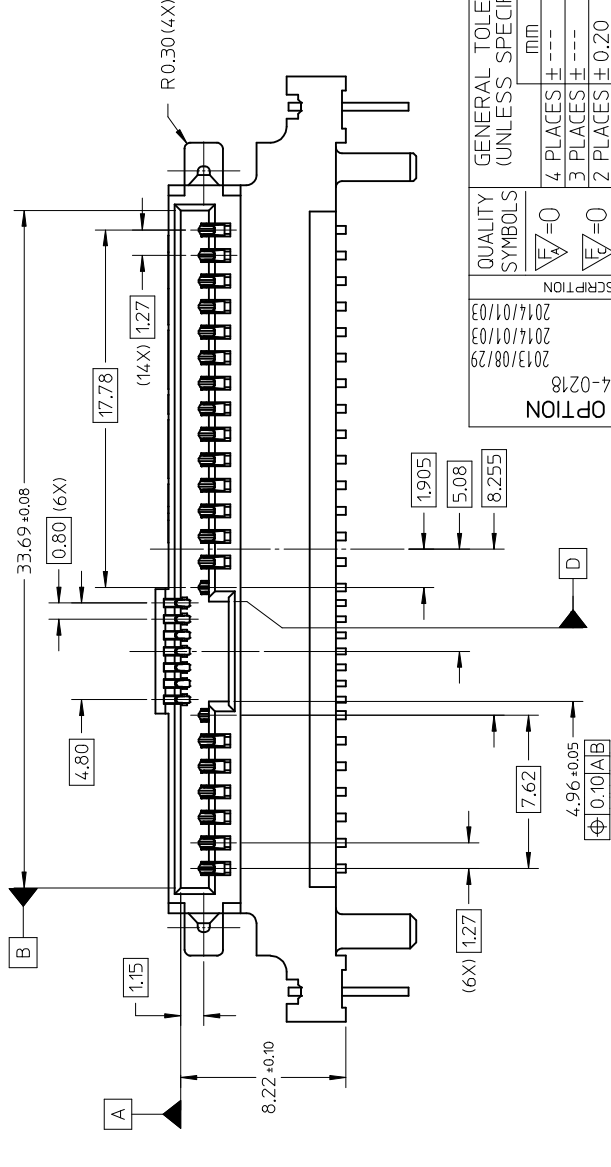
2. PLATING:

FORK LOCK/BLADE: COPPER ALLOY
 TERMINAL:
 CONTACT: 0.76µm MIN. SELECTIVE
 SOLDER TAIL: 2.54µm MIN. TIN OVER
 FORK LOCK/BLADE:
 2.54µm MIN. TIN OVER 1.27µm MIN.

3. MOLEX LOGO AND DATE CODE LOCATED ON NON FUNCTIONAL CORE HOLE MAY VARY
4. NON FUNCTIONAL CORE HOLE MAY VARY
5. THIS PRODUCT IS COMPLIANT TO ROHS BANNED SUBSTANCES - LEAD, MERCURY, POLYBROMINATED BIPHENYLS AND POLYBROMINATED DIPHENYL ETHERS
6. PRODUCT SPECIFICATION PS-87945-01
7. MATES WITH : SFF-8482 PLUG

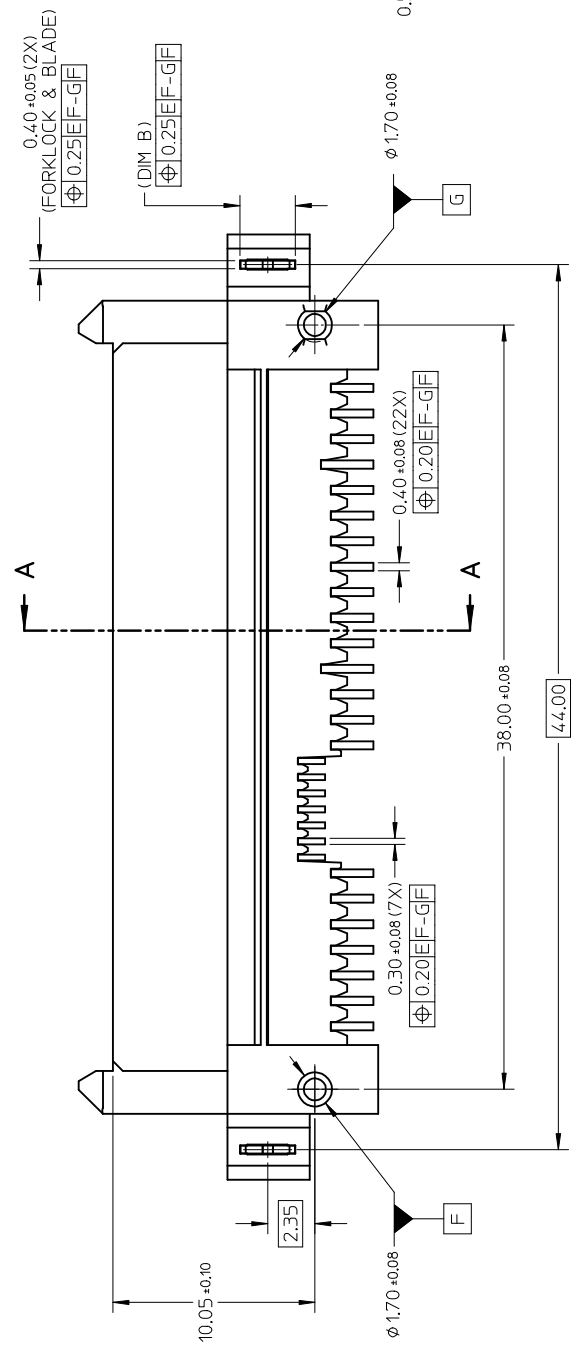
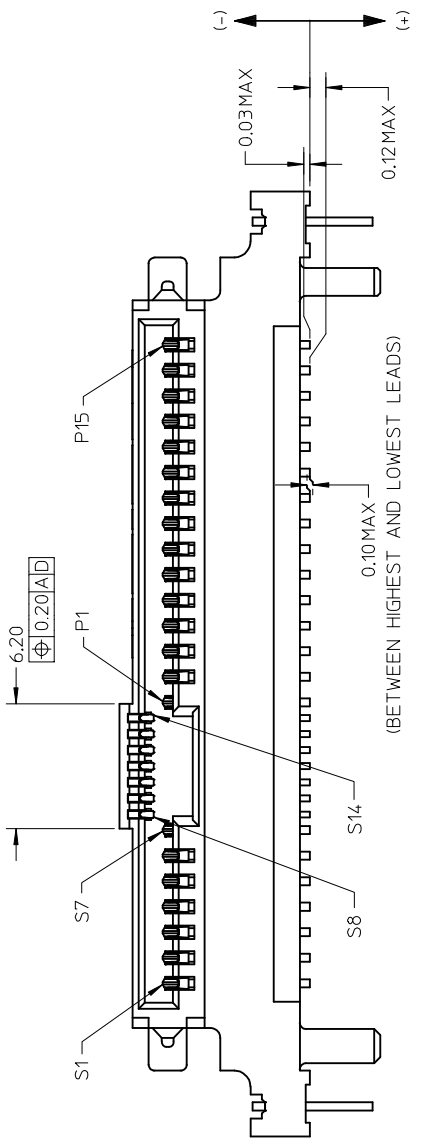
SATA PLUG SERIES

8. PACKAGING SPECIFICATION : TRAY : TAPE & REEL :



QUALITY SYMBOLS	GENERAL TOLERANCES (UNLESS SPECIFIED)	DIMENSION STYLE	SCA
∇ F=0 ∇ F=0 ∇ F=0	mm 4 PLACES ± --- 3 PLACES ± --- 2 PLACES ± 0.20 1 PLACE ± --- 0 PLACE ± ---	MM ONLY	NT
DESCRIPTION	INCH	DRAWN BY	TITLE
APP:MLONG 2014/01/03	± ---	KCHO	2005/02/22
CHK:D:MLONG 2014/01/03	± ---	CHECKED BY	DATE
DRM:N:SKANG 2013/08/29	± 0.20	DKOH	2005/03/23
ECC NO: S2014-0218	± ---	APPROVED BY	DATE
ADD CAP OPTION	±	SKTOH	2005/03/23
REV	ANGULAR ± 3 °	MATERIAL NO.	DOCUMENT
1	DRAFT WHERE APPLICABLE MUST REMAIN WITHIN DIMENSIONS	SEE TABLE	SIZE
		A3	THIS DRAWING CONTAINS INCORPORATED AND SHOULD

10 9 8 7 6 5 4 3



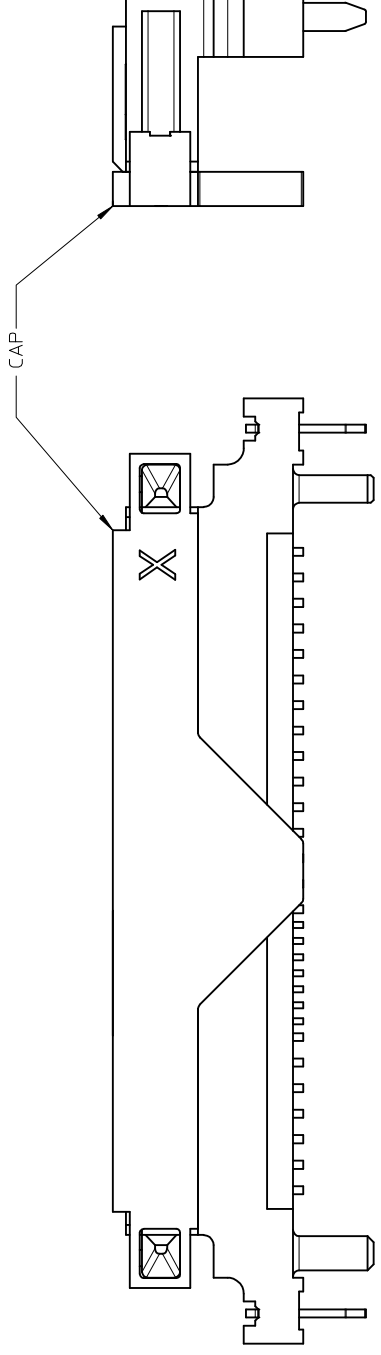
QUALITY SYMBOLS	$\nabla = 0$	4 PLACES \pm	mm	GENERAL TOLERANCES (UNLESS SPECIFIED)	INCH	MM ONLY	SCALA	
	$\nabla = 0$	3 PLACES \pm					NT	
	$\nabla = 0$	2 PLACES ± 0.20					TITLE	
		1 PLACE \pm					DATE	
		0 PLACE \pm					DATE	
DESCRIPTION	ADD CAP OPTION	FC NO: S2014-0218	DRWNS:SKANG	2013/08/29	CHKD:MLONG	2014/01/03	APPR:MLONG	2014/01/03
REV	C							
DRAFT WHERE APPLICABLE MUST REMAIN WITHIN DIMENSIONS		ANGULAR $\pm 3^\circ$		SEE TABLE		MATERIAL NO.		DOCUMENT
SIZE A3		THIS DRAWING CONTAINS INCORPORATED AND SHOULD						

fb_frame_A3_P_AM_T
Rev. G 2012/01/11

10 9 8 7 6 5 4 3

F

ILLUSTRATION FOR PART WITH CAP

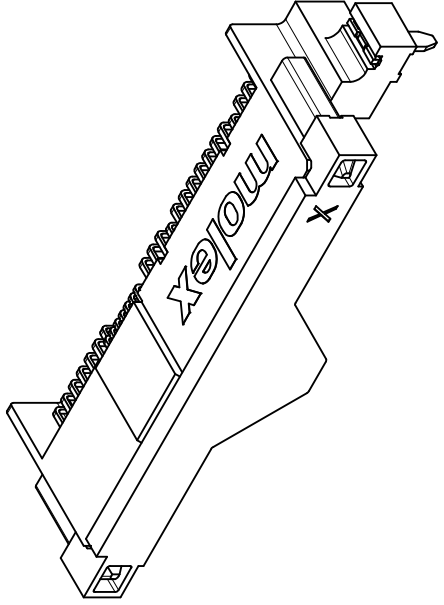


E

D

C

B



A

ADD CAP OPTION	EC NO: S2014-0218
DRWNS:SKANG	2013/08/29
CHKD:MLONG	2014/01/03
APPR:MLONG	2014/01/03
DESCRIPTION	REV

QUALITY SYMBOLS	
$\nabla = 0$	
$\nabla = 0$	
$\nabla = 0$	

GENERAL TOLERANCES (UNLESS SPECIFIED)	MM	INCH
4 PLACES \pm ---	\pm ---	
3 PLACES \pm ---	\pm ---	
2 PLACES \pm 0.20	\pm ---	
1 PLACE \pm ---	\pm ---	
0 PLACE \pm ---	\pm ---	
ANGULAR \pm 3 °		
DRAFT WHERE APPLICABLE MUST REMAIN WITHIN DIMENSIONS		

DIMENSION STYLE	MM ONLY
DRAWN BY	KCHO
CHECKED BY	DKOH
APPROVED BY	SKTOH
MATERIAL NO.	SEE TABLE

SCALE	NT
TITLE	
DATE	2005/02/22
DATE	2005/03/23
DATE	2005/03/23
DATE	2005/03/23
DOCUMENT	

fb_frame_A3_P_AM_T
Rev. G 2012/01/11

10 9 8 7 6 5 4 3

Looking for pricing, stock, or lifecycle information?

Click below to explore more details on WIN SOURCE:

 [View 879450001 on WIN SOURCE](#)

 [Molex, LLC Information](#)

Optimize Your Supply Chain with WIN SOURCE Solutions

-  Global Sourcing Solution
-  Obsolete Management
-  Cost Control Management
-  Shortage Management
-  Alternative Solution
-  Excess Inventory Management