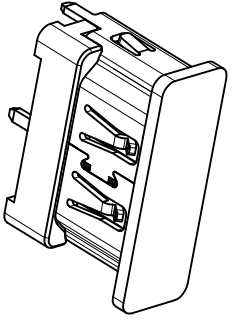
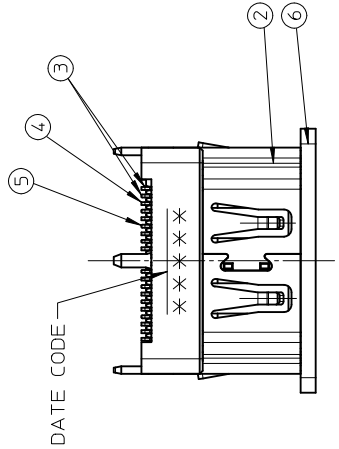




THE DATASHEET OF
483075022



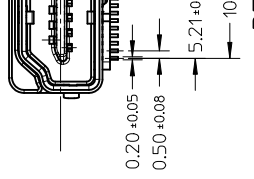
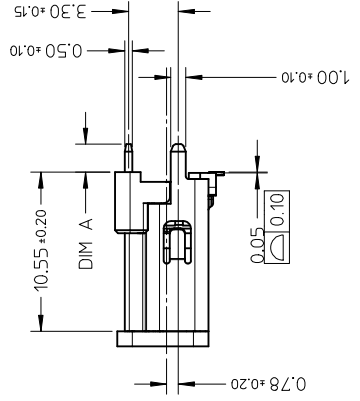
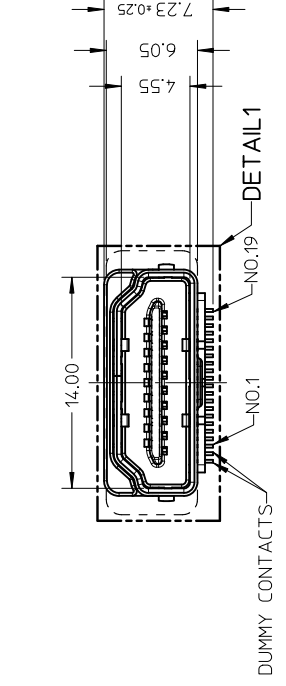
10 9 8 7 6 5 4 3



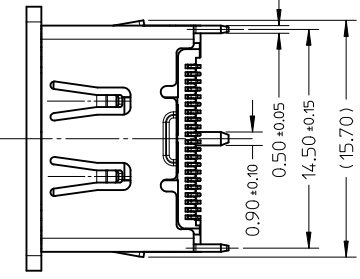
3- ϕ 1.90 +0.05
3- ϕ 1.50 +0.05

DUMMY PADS

RECOMMENDED (THICK)



DETAIL



REV	DESCRIPTION	QUALITY SYMBOLS	GENERAL TOLERANCES (UNLESS SPECIFIED)	DIMENSION STYLE	SCALE
	A1	$\blacktriangle = 0$ $\triangle = 0$	mm: ± --- 4 PLACES ± --- 3 PLACES ± --- 2 PLACES ± 0.15 1 PLACE ± 0.15 ANGULAR ± ---°	MM ONLY	3:
DRWN: JZENG	2012/02/29			DRAWN BY: KCWEI	TITLE
EC NO: S2012-0664	2012/03/29			CHECKED BY: KCWEI	DATE: 2010/03/22
NEW RELEASE	2012/04/03			APPROVED BY: RZHANG	DATE: 2010/03/22
	APPR: NAGESHKN			MATERIAL NO.	2010/05/13
				SEE TABLE	
				THIS DRAWING CONTAINS INFORMATION INCORPORATED AND SHOULD BE INCORPORATED AND SHOULD	

10 9 8 7 6 5 4 3

F E D C B A

10	9	8	7	6	5	4	3
F	MOLEX P/N	PACKAGE TYPE	PACKAGE DRAWING	ITEM	DESCRIPTION	MATERIAL	
	48307-50*2	TAPE REEL	PK-48307-905	⑥	PICK AND PLACE COVER	LIQUID CRYSTAL POLYMER, GLASS FILLED, UL94V-0, COLOR: BLACK	NONE
				⑤	UPPER CONTACT	BRASS	GOLD FLASH PLATED TIN PLATED 3.048 MIC NICKEL UNDERPLATING
				④	LOWER CONTACT		TIN PLATED 3.048 MIC NICKEL UNDERPLATING
				③	DUMMY CONTACT		
				②	SHELL	BRASS	SOLDERABLE NICKEL
				①	HOUSING	LIQUID CRYSTAL POLYMER, GLASS FILLED, UL94V-0, COLOR: BLACK	NONE

E

D

C

B

A

NOTES:

1. MATERIAL: SEE TABLE.
2. PLATING: SEE TABLE.
3. PACKAGING SPECIFICATION : SEE TABLE.
4. PRODUCT SPECIFICATION REFER TO PS-48307-901
5. DATE CODE LOCATION AND THE ID MEAN AS BELOW:

* ↓ YEAR
 ** ↓ WEEK
 * ↓ DAY
 * ↓ SHIFT

6. LEAD-FREE AND ROHS COMPLIANT PRODUCT

NEW RELEASE		EC NO: S2012-0664		DRWN: JZENG		2012/02/29		A1	
DESCRIPTION		APP: NAGESHK		2012/04/03		CHRD: JESSIECHUA		2012/03/29	
REV		QUALITY SYMBOLS		GENERAL TOLERANCES (UNLESS SPECIFIED)		DIMENSION STYLE		SCALE	
		▶=0		mm INCH		MM ONLY		1:1	
		∇C=0		4 PLACES ± --- ± ---		DRAWN BY		DATE	
				3 PLACES ± --- ± ---		KCWEI		2010/03/22	
				2 PLACES ± --- ± ---		CHECKED BY		DATE	
				1 PLACE ± --- ± ---		KCWEI		2010/03/22	
				ANGULAR ± --- °		APPROVED BY		DATE	
				DRAFT WHERE APPLICABLE MUST REMAIN WITHIN DIMENSIONS		RZHANG		2010/05/13	
				SEE TABLE		MATERIAL NO.		DOCUMENT	
				SIZE THIS DRAWING CONTAINS INCORPORATED AND SHOULD		A3		3	

Looking for pricing, stock, or lifecycle information?

Click below to explore more details on WIN SOURCE:

 [View 483075022 on WIN SOURCE](#)

 [Molex, LLC Information](#)

Optimize Your Supply Chain with WIN SOURCE Solutions

-  Global Sourcing Solution
-  Obsolete Management
-  Cost Control Management
-  Shortage Management
-  Alternative Solution
-  Excess Inventory Management