



**THE DATASHEET OF
MAX7324AEG+**



MAX7324

I²C Port Expander with Eight Push-Pull Outputs and Eight Inputs

General Description

The MAX7324 2-wire serial-interfaced peripheral features 16 I/O ports that are divided into eight push-pull outputs and eight inputs. Each input features selectable internal pullups, overvoltage protection to +6V, and transition detection with an interrupt output.

All input ports are continuously monitored for state changes (transition detection). The interrupt is latched, allowing detection of transient changes. Any combination of inputs can be selected using the interrupt mask to assert the INT output. When the MAX7324 is subsequently accessed through the serial interface, any pending interrupt is cleared.

The push-pull outputs are rated to sink 20mA and are capable of driving LEDs. The RST input clears the serial interface, terminating any I²C communication to or from the MAX7324.

The MAX7324 uses two address inputs with four-level logic to allow 16 I²C slave addresses. The slave address also enables or disables internal 40k Ω pullups in groups of four ports.

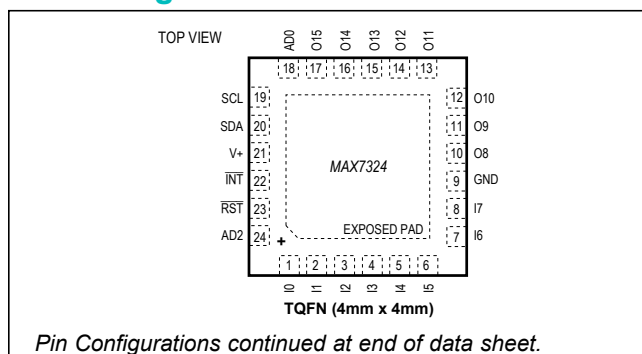
The MAX7324 is one device in a family of pin-compatible port expanders with a choice of input ports, open-drain I/O ports, and push-pull output ports (see Table 1).

The MAX7324 is available in 24-pin QSOP and TQFN packages, and is specified over the -40°C to +125°C automotive temperature range.

Applications

- Cell Phones
- SAN/NAS
- Servers
- Notebooks
- Satellite Radio

Pin Configurations



Features

- 400kHz, +6V-Tolerant I²C Serial Interface
- +1.71V to +5.5V Operating Voltage
- Eight Push-Pull Outputs
- Eight Input Ports with Maskable, Latching Transition Detection
- Input Ports are Overvoltage Protected to +6V
- Transient Changes are Latched, Allowing Detection
- Between Read Operations
- $\overline{\text{INT}}$ Output Alerts Change on Any Selection of Inputs
- AD0 and AD2 Inputs Select from 16 Slave Addresses
- Low 0.6 μ A Standby Current
- -40°C to +125°C Temperature Range

Ordering Information

PART	TEMP RANGE	PIN-PACKAGE
MAX7324AEG+	-40°C to +125°C	24 QSOP
MAX7324ATG+	-40°C to +125°C	24 TQFN-EP* (4mm x 4mm)

+Denotes a lead(Pb)-free/RoHS-compliant package.

*EP = Exposed pad.

Selector Guide

PART	INPUTS	INTERRUPT MASK	OPEN-DRAIN OUTPUTS	PUSH-PULL OUTPUTS
MAX7324	8	Yes	—	8
MAX7325	Up to 8	—	Up to 8	8
MAX7326	4	Yes	—	12
MAX7327	Up to 4	—	Up to 4	12

Typical Application Circuit and Functional Diagram appear at end of data sheet.

Absolute Maximum Ratings

(All voltages referenced to GND.)

Supply Voltage V+	-0.3V to +6V	Total GND Current	100mA
SCL, SDA, AD0, AD2, \overline{RST} , \overline{INT} , I0–I7	-0.3V to +6V	Continuous Power Dissipation	
O8–O15	-0.3V to (V+ + 0.3V)	QSOP (derate 9.5mW/°C over T _A = +70°C).....	761.9mW
O8–O15 Output Current.....	±25mA	TQFN (derate 20.8mW/°C over T _A = +70°C).....	1666.7mW
SDA Sink Current	10mA	Operating Temperature Range.....	-40°C to +125°C
\overline{INT} Sink Current.....	10mA	Junction Temperature.....	+150°C
Total V+ Current	50mA	Storage Temperature Range.....	-65°C to +150°C
		Lead Temperature (soldering, 10s)	+300°C

Stresses beyond those listed under “Absolute Maximum Ratings” may cause permanent damage to the device. These are stress ratings only, and functional operation of the device at these or any other conditions beyond those indicated in the operational sections of the specifications is not implied. Exposure to absolute maximum rating conditions for extended periods may affect device reliability.

DC Electrical Characteristics

(V+ = +1.71V to +5.5V, T_A = -40°C to +125°C, unless otherwise noted. Typical values are at V+ = +3.3V, T_A = +25°C.) (Note 1)

PARAMETER	SYMBOL	CONDITIONS	MIN	TYP	MAX	UNITS
Operating Supply Voltage	V+	T _A = -40°C to +125°C	1.71		5.50	V
Power-On Reset Voltage	V _{POR}	V+ falling			1.6	V
Standby Current (Interface Idle)	I _{STB}	SCL and SDA and other digital inputs at V+		0.6	1.9	µA
Supply Current (Interface Running)	I+	f _{SCL} = 400kHz; other digital inputs at V+		23	55	µA
Input High-Voltage SDA, SCL, AD0, AD2, \overline{RST} , I0–I7	V _{IH}	V+ < 1.8V V+ ≥ 1.8	0.8 x V+			V
Input Low-Voltage SDA, SCL, AD0, AD2, \overline{RST} , I0–I7	V _{IL}	V+ < 1.8V V+ ≥ 1.8			0.2 x V+ 0.3 x V+	V
Input Leakage Current SDA, SCL, AD0, AD2, \overline{RST} , I0–I7	I _{IH} , I _{IL}	SDA, SCL, AD0, AD2, \overline{RST} , I0–I7 at V+ or GND	-0.2		+0.2	µA
Input Capacitance SDA, SCL, AD0, AD2, \overline{RST} , I0–I7				10		pF
Output Low Voltage O8–O15	V _{OL}	V+ = +1.71V, I _{SINK} = 5mA (QSOP)		90	180	mV
		V+ = +1.71V, I _{SINK} = 5mA (TQFN)		90	230	
		V+ = +2.5V, I _{SINK} = 10mA (QSOP)		110	210	
		V+ = +2.5V, I _{SINK} = 10mA (TQFN)		110	260	
		V+ = +3.3V, I _{SINK} = 15mA (QSOP)		130	230	
		V+ = +3.3V, I _{SINK} = 15mA (TQFN)		130	280	
		V+ = +5V, I _{SINK} = 20mA (QSOP)		140	250	
		V+ = +5V, I _{SINK} = 20mA (TQFN)		140	300	
Output High Voltage O8–O15	V _{OH}	V+ = +1.71V, I _{SOURCE} = 2mA	V+ - 250	V+ - 30		mV
		V+ = +2.5V, I _{SOURCE} = 5mA	V+ - 360	V+ - 70		
		V+ = +3.3V, I _{SOURCE} = 5mA	V+ - 260	V+ - 100		
		V+ = +5V, I _{SOURCE} = 10mA	V+ - 360	V+ - 120		
Output Low-Voltage SDA	V _{OLSDA}	I _{SINK} = 6mA			250	mV
Output Low-Voltage \overline{INT}	V _{OLINT}	I _{SINK} = 5mA		130	250	mV
Port Input Pullup Resistor	R _{PU}		25	40	55	kΩ

Port and Interrupt $\overline{\text{INT}}$ Timing Characteristics

(V+ = +1.71V to +5.5V, T_A = -40°C to +125°C, unless otherwise noted. Typical values are at V+ = +3.3V, T_A = +25°C.) (Note 1)

PARAMETER	SYMBOL	CONDITIONS	MIN	TYP	MAX	UNITS
Port-Output Data Valid	t _{PPV}	CL ≤ 100pF			4	μs
Port-Input Setup Time	t _{PSU}	CL ≤ 100pF	0			μs
Port-Input Hold Time	t _{PH}	CL ≤ 100pF	4			μs
$\overline{\text{INT}}$ Input Data Valid Time	t _{IV}	CL ≤ 100pF			4	μs
$\overline{\text{INT}}$ Reset Delay Time from STOP	t _{IP}	CL ≤ 100pF			4	μs
$\overline{\text{INT}}$ Reset Delay Time from Acknowledge	t _{IR}	CL ≤ 100pF			4	μs

Timing Characteristics

(V+ = +1.71V to +5.5V, T_A = -40°C to +125°C, unless otherwise noted. Typical values are at V+ = +3.3V, T_A = +25°C.) (Note 1)

PARAMETER	SYMBOL	CONDITIONS	MIN	TYP	MAX	UNITS
Serial-Clock Frequency	f _{SCL}				400	kHz
Bus Free Time Between a STOP and a START Condition	t _{BUF}		1.3			μs
Hold Time (Repeated) START Condition	t _{HD,STA}		0.6			μs
Repeated START Condition Setup Time	t _{SU,STA}		0.6			μs
STOP Condition Setup Time	t _{SU,STO}		0.6			μs
Data Hold Time	t _{HD,DAT}	(Note 2)			0.9	μs
Data Setup Time	t _{SU,DAT}		100			ns
SCL Clock Low Period	t _{LOW}		1.3			μs
SCL Clock High Period	t _{HIGH}		0.7			μs
Rise Time of Both SDA and SCL Signals, Receiving	t _R	(Notes 3, 4)		20 + 0.1C _b	300	ns
Fall Time of Both SDA and SCL Signals, Receiving	t _F	(Notes 3, 4)		20 + 0.1C _b	300	ns
Fall Time of SDA Transmitting	t _{F,TX}	(Notes 3, 4)		20 + 0.1C _b	250	ns
Pulse Width of Spike Suppressed	t _{SP}	(Note 5)		50		ns
Capacitive Load for Each Bus Line	C _b	(Note 3)			400	pF
$\overline{\text{RST}}$ Pulse Width	t _W		500			ns
$\overline{\text{RST}}$ Rising to START Condition Setup Time	t _{RST}		1			μs

Note 1: All parameters are tested at T_A = +25°C. Specifications over temperature are guaranteed by design.

Note 2: A master device must provide a hold time of at least 300ns for the SDA signal (referred to V_{IL} of the SCL signal) to bridge the undefined region of SCL's falling edge.

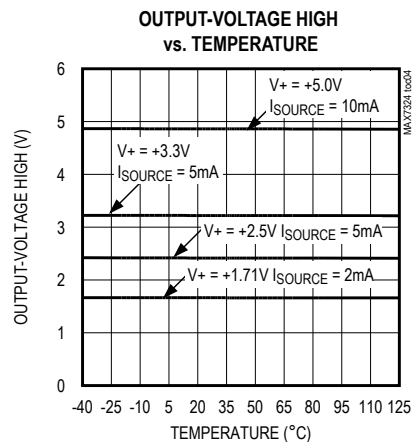
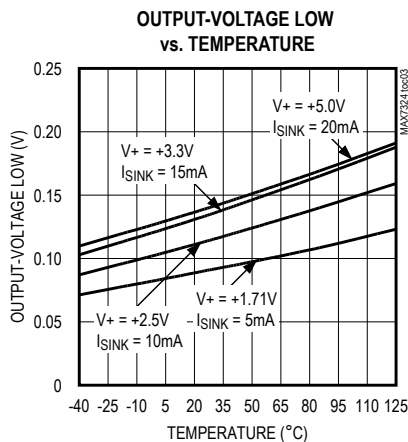
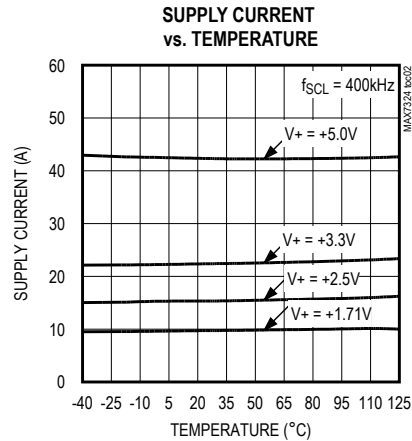
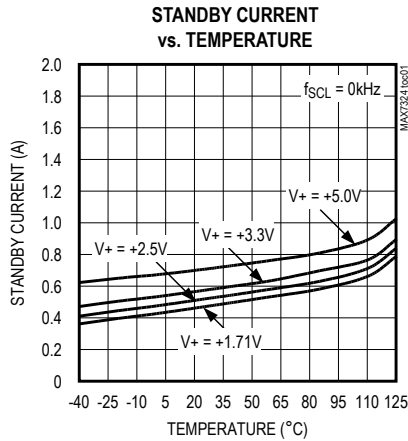
Note 3: Guaranteed by design.

Note 4: C_b = total capacitance of one bus line in pF. t_R and t_F measured between 0.3 x V+ and 0.7 x V+. I_{SINK} ≤ 6mA.

Note 5: Input filters on the SDA and SCL inputs suppress noise spikes less than 50ns.

Typical Operating Characteristics

(T_A = +25°C, unless otherwise noted.)



Pin Description

PIN		NAME	FUNCTION
QSOP	TQFN		
1	22	$\overline{\text{INT}}$	Active-Low Interrupt Output. $\overline{\text{INT}}$ is an open-drain output.
2	23	$\overline{\text{RST}}$	Active-Low Reset Input. Drive $\overline{\text{RST}}$ low to clear the 2-wire interface.
3, 21	24, 18	AD2, AD0	Address Inputs. Select device slave address with AD0 and AD2. Connect AD0 and AD2 to either GND, V+, SCL, or SDA to give four logic combinations (see Tables 2 and 3).
4–11	1–8	I0–I7	Input Ports. I0 to I7 are CMOS-logic inputs.
12	9	GND	Ground
13–20	10–17	O8–O15	Output Ports. O8–O15 are push-pull outputs rated at 20mA.
22	19	SCL	I ² C-Compatible Serial Clock Input
23	20	SDA	I ² C-Compatible Serial Data I/O
24	21	V+	Positive Supply Voltage. Bypass V+ to GND with a ceramic capacitor of at least 0.047μF.
—	EP	EP	Exposed Paddle. Connect exposed pad to GND.

Detailed Description

MAX7324–MAX7327 Family Comparison

The MAX7324–MAX7327 family consists of four pin-compatible, 16-port expanders that integrate the function of the MAX7320 and one of either the MAX7319, MAX7321, MAX7322, or MAX7323.

Functional Overview

The MAX7324 is a general-purpose port expander operating from a +1.71V to +5.5V supply with eight push-pull outputs and eight CMOS input ports that are overvoltage protected to +6V.

The MAX7324 is set to two of 32 I²C slave addresses (see Tables 2 and 3) using address select inputs AD0 and AD2, and is accessed over an I²C serial interface up to 400kHz. The eight outputs and eight inputs have different slave addresses. The eight push-pull outputs have the 101xxxx addresses and the eight inputs have the addresses with 110xxxx. The RST input clears the serial interface in case of a bus lockup, terminating any serial transaction to or from the MAX7324.

The input ports offer latching transition detection feature. All input ports are continuously monitored for changes. An input change sets 1 of 8 flag bits that identify the changed input(s). All flags are cleared upon a subsequent read or write transaction to the MAX7324.

Table 1. MAX7319–MAX7329 Family Comparison

PART	I ² C SLAVE ADDRESS	INPUTS	INPUT INTERRUPT MASK	OPEN-DRAIN OUTPUTS	PUSH-PULL OUTPUTS	CONFIGURATION
16-PORT EXPANDERS						
MAX7324		8	Yes	—	8	8 inputs and 8 push-pull outputs version: 8 input ports with programmable latching transition detection interrupt and selectable pullups. 8 push-pull outputs with selectable default logic levels. Offers maximum versatility for automatic input monitoring. An interrupt mask selects which inputs cause an interrupt on transitions, and transition flags identify which inputs have changed (even if only for a transient) since the ports were last read.
MAX7325	101xxxx And 110xxxx	Up to 8	—	Up to 8	8	8 I/O and 8 push-pull outputs version: 8 open-drain I/O ports with latching transition detection interrupt and selectable pullups. 8 push-pull outputs with selectable default logic levels Open-drain outputs can level shift the logic-high state to a higher or lower voltage than V+ using external pullup resistors, but pullups draw current when output is low. Any open-drain port can be used as an input by setting the open-drain output to logic-high. Transition flags identify which open-drain port inputs have changed (even if only for a transient) since the ports were last read.

Table 1. MAX7319–MAX7329 Family Comparison (continued)

PART	I ² C SLAVE ADDRESS	INPUTS	INPUT INTERRUPT MASK	OPEN-DRAIN OUTPUTS	PUSH-PULL OUTPUTS	CONFIGURATION
MAX7326		4	Yes	—	12	4 input-only, 12 push-pull output versions: 4 input ports with programmable latching transition detection interrupt and selectable pullups. 12 push-pull outputs with selectable default logic levels. Offers maximum versatility for automatic input monitoring. An interrupt mask selects which inputs cause an interrupt on transitions, and transition flags identify which inputs have changed (even if only for a transient) since the ports were last read.
MAX7327	101xxxx and 110xxxx	Up to 4	—	Up to 4	12	4 I/O, 12 push-pull output versions: 4 open-drain I/O ports with latching transition detection interrupt and selectable pullups. 12 push-pull outputs with selectable default logic levels. Open-drain outputs can level shift the logic-high State to a higher or lower voltage than V+ using External pullup resistors, but pullups draw current when output is low. Any open-drain port can be used as an input by setting the open-drain output to logic-high. Transition flags identify which open-drain port inputs have changed (even if only for a transient) since the ports were last read.
8-PORT EXPANDERS						
MAX7319	110xxxx	8	Yes	—	—	Input-only versions: 8 input ports with programmable latching transition detection interrupt and selectable pullups.
MAX7320	101xxxx	—	—	—	8	Output-only versions: 8 push-pull outputs with selectable power-up default levels.
MAX7321	110xxxx	Up to 8	—	Up to 8	—	I/O versions: 8 open-drain I/O ports with latching transition detection interrupt and selectable pullups.
MAX7322	110xxxx	4	Yes	—	4	4 input-only, 4 output-only versions: 4 input ports with programmable latching transition detection interrupt and selectable pullups. 4 push-pull outputs with selectable power-up default levels.

Table 1. MAX7319–MAX7329 Family Comparison (continued)

PART	I ² C SLAVE ADDRESS	INPUTS	INPUT INTERRUPT MASK	OPEN-DRAIN OUTPUTS	PUSH-PULL OUTPUTS	CONFIGURATION
MAX7323	110xxxx	Up to 4	—	Up to 4	4	4 I/O, 4 output-only versions: 4 open-drain I/O ports with latching transition detection interrupt and selectable pullups. 4 push-pull outputs with selectable power-up default levels.
MAX7328 MAX7329	0100xxx 0111xxx	Up to 8	—	Up to 8	—	PCF8574-, PCF8574A-compatible versions: 8 open-drain I/O ports with nonlatching transition detection interrupt and pullups on all ports.

A latching interrupt output, $\overline{\text{INT}}$, is programmed to flag input data changes on input ports through an interrupt mask register. By default, data changes on any input port force $\overline{\text{INT}}$ to a logic-low. The interrupt output $\overline{\text{INT}}$ and all transition flags are cleared when the MAX7324 is next accessed through the serial interface.

Internal pullup resistors to V+ are selected by the address select inputs, AD0 and AD2. Pullups are enabled on the input ports in groups of four (see Table 2).

Initial Power-Up

On power-up, the transition detection logic is reset, and $\overline{\text{INT}}$ is deasserted. The interrupt mask register is set to 0xFF, enabling the interrupt output for transitions on all eight input ports. The transition flags are cleared to indicate no data changes. The power-up default states of the eight push-pull outputs are set according to the I²C slave address selection inputs, AD0 and AD1 (see Table 3).

Power-On Reset

The MAX7324 contains an integral power-on-reset (POR) circuit that ensures all registers are reset to a known state on power-up. When V+ rises above V_{POR} (1.6V max), the POR circuit releases the registers and 2-wire interface for normal operation. When V+ drops below V_{POR}, the MAX7324 resets all register contents to the POR defaults (Tables 2 and 3).

RST Input

The $\overline{\text{RST}}$ input voids any I²C transaction involving the MAX7324, forcing the MAX7324 into the I²C STOP condition. A reset does not affect the interrupt output ($\overline{\text{INT}}$).

Standby Mode

When the serial interface is idle, the MAX7324 automatically enters standby mode, drawing minimal supply current.

Slave Address, Power-Up Default Logic Levels, and Input Pullup Selection

Address inputs AD0 and AD2 determine the MAX7324 slave address and select which inputs have pullup resistors. Pullups are enabled on the input ports in groups of four (see Table 2).

The MAX7324 slave address is determined on each I²C transmission, regardless of whether the transmission is actually addressing the MAX7324. The MAX7324 distinguishes whether address inputs AD0 and AD2 are connected to SDA or SCL instead of fixed logic levels V+ or GND during this transmission. This means that the MAX7324 slave address can be configured dynamically in the application without cycling the device supply.

On initial power-up, the MAX7324 cannot decode the address inputs AD0 and AD2 fully until the first I²C transmission. AD0 and AD2 initially appear to be connected to V+ or GND. This is important because the address selection determines which inputs have pullups applied. However, at power-up, the I²C SDA and SCL bus interface lines are high impedance at the inputs of every device (master or slave) connected to the bus, including the MAX7324. This is guaranteed as part of the I²C specification. Therefore, address inputs AD0 and AD2 that are connected to SDA or SCL during power-up appear to be connected to V+. The pullup selection logic uses AD0 to select whether pullups are enabled for ports I0–I3,

Table 2. MAX7324 Address Map for Inputs I0–I7

PIN CONNECTION		DEVICE ADDRESS							40k Ω INPUT PULLUP ENABLED							
AD2	AD0	A6	A5	A4	A3	A2	A1	A0	I7	I6	I5	I4	I3	I2	I1	I0
SCL	GND	1	1	0	0	0	0	0	Y	Y	Y	Y	—	—	—	—
SCL	V+	1	1	0	0	0	0	1	Y	Y	Y	Y	Y	Y	Y	Y
SCL	SCL	1	1	0	0	0	1	0	Y	Y	Y	Y	Y	Y	Y	Y
SCL	SDA	1	1	0	0	0	1	1	Y	Y	Y	Y	Y	Y	Y	Y
SDA	GND	1	1	0	0	1	0	0	Y	Y	Y	Y	—	—	—	—
SDA	V+	1	1	0	0	1	0	1	Y	Y	Y	Y	Y	Y	Y	Y
SDA	SCL	1	1	0	0	1	1	0	Y	Y	Y	Y	Y	Y	Y	Y
SDA	SDA	1	1	0	0	1	1	1	Y	Y	Y	Y	Y	Y	Y	Y
GND	GND	1	1	0	1	0	0	0	—	—	—	—	—	—	—	—
GND	V+	1	1	0	1	0	0	1	—	—	—	—	Y	Y	Y	Y
GND	SCL	1	1	0	1	0	1	0	—	—	—	—	Y	Y	Y	Y
GND	SDA	1	1	0	1	0	1	1	—	—	—	—	Y	Y	Y	Y
V+	GND	1	1	0	1	1	0	0	Y	Y	Y	Y	—	—	—	—
V+	V+	1	1	0	1	1	0	1	Y	Y	Y	Y	Y	Y	Y	Y
V+	SCL	1	1	0	1	1	1	0	Y	Y	Y	Y	Y	Y	Y	Y
V+	SDA	1	1	0	1	1	1	1	Y	Y	Y	Y	Y	Y	Y	Y

and uses AD2 to select whether pullups are enabled for ports I4–I7. The rule is that a logic-high SDA, or SCL connection selects the pullups, while a logic-low deselects the pullups (Table 2). The pullup configuration is correct on power-up for a standard I²C configuration, where SDA and SCL are pulled up to V+ by the external I²C pullups.

There are circumstances where the assumption that SDA = SCL = V+ on power-up is not true—for example, in applications in which there is legitimate bus activity during power-up. Also, if SDA and SCL are terminated with pullup resistors to a different supply voltage than the MAX7324's supply voltage, and if that pullup supply rises later than the MAX7324's supply, then SDA or SCL may appear at power-up to be connected to GND. In such applications, use the four address combinations that are selected by connecting address inputs AD0 and AD2 to V+ or GND (shown in **bold** in Tables 2 and 3). These selections are guaranteed to be correct at power-up, independent of SDA and SCL behavior. If one of the other 12 address combinations is used, an unexpected combination of pullups might be asserted until the first I²C transmission (to any device, not necessarily the MAX7324) is put on the bus.

Port Inputs

Port inputs switch at CMOS logic levels as determined by the expander's supply voltage, and are overvoltage tolerant to +6V, independent of the device's supply voltage.

Port-Input Transition Detection

All eight input ports are monitored for changes since the expander was last accessed through the serial interface. The state of the input ports is stored in an internal "snapshot" register for transition monitoring. The snapshot is continuously compared with the actual input conditions, and if a change is detected for any port input, then an internal transition flag is set for that port. The eight port inputs are sampled (internally latched into the snapshot register) and the old transition flags cleared during the I²C acknowledge of every MAX7324 read and write access. The previous port transition flags are read through the serial interface as the second byte of a 2-byte read sequence.

A long read sequence (more than 2 bytes) can be used to poll the expander continuously without the overhead of resending the slave address. If more than 2 bytes are read from the expander, the expander repeatedly returns

Table 3. MAX7324 Address Map for Outputs O8–O15

PIN CONNECTION		DEVICE ADDRESS							OUTPUTS POWER-UP DEFAULT							
AD2	AD0	A6	A5	A4	A3	A2	A1	A0	O15	O14	O13	O12	O11	O10	O9	O8
SCL	GND	1	0	1	0	0	0	0	1	1	1	1	0	0	0	0
SCL	V+	1	0	1	0	0	0	1	1	1	1	1	1	1	1	1
SCL	SCL	1	0	1	0	0	1	0	1	1	1	1	1	1	1	1
SCL	SDA	1	0	1	0	0	1	1	1	1	1	1	1	1	1	1
SDA	GND	1	0	1	0	1	0	0	1	1	1	1	0	0	0	0
SDA	V+	1	0	1	0	1	0	1	1	1	1	1	1	1	1	1
SDA	SCL	1	0	1	0	1	1	0	1	1	1	1	1	1	1	1
SDA	SDA	1	0	1	0	1	1	1	1	1	1	1	1	1	1	1
GND	GND	1	0	1	1	0	0	0	0	0	0	0	0	0	0	0
GND	V+	1	0	1	1	0	0	1	0	0	0	0	1	1	1	1
GND	SCL	1	0	1	1	0	1	0	0	0	0	0	1	1	1	1
GND	SDA	1	0	1	1	0	1	1	0	0	0	0	1	1	1	1
V+	GND	1	0	1	1	1	0	0	1	1	1	1	0	0	0	0
V+	V+	1	0	1	1	1	0	1	1	1	1	1	1	1	1	1
V+	SCL	1	0	1	1	1	1	0	1	1	1	1	1	1	1	1
V+	SDA	1	0	1	1	1	1	1	1	1	1	1	1	1	1	1

the 2 bytes of input port data followed by the transition flags. The inputs are repeatedly resampled and the transition flags repeatedly reset for each pair of bytes read. All changes that occur during a long read sequence are detected and reported.

The MAX7324 includes an 8-bit interrupt mask register that selects which inputs generate an interrupt upon change. Each input's transition flag is set when its input changes, independent of the interrupt mask register settings. The interrupt mask register allows the processor to be interrupted for critical events, while the inputs and the transition flags can be polled periodically to detect less critical events.

The $\overline{\text{INT}}$ output is not reasserted during a read sequence to avoid recursive reentry into an interrupt service routine. Instead, if a data change occurs that would normally cause the $\overline{\text{INT}}$ output to be set, the $\overline{\text{INT}}$ assertion is delayed until the STOP condition. $\overline{\text{INT}}$ is not reasserted upon a STOP condition if the changed input data is read before the STOP occurs. The $\overline{\text{INT}}$ logic ensures that unnecessary interrupts are not asserted,

yet data changes are detected and reported no matter when the change occurs.

Transition-Detection Masks

The transition detection logic incorporates a transition flag and an interrupt mask bit for each input port. The eight transition flags can be read through the serial interface, and the 8-bit interrupt mask is set through the serial interface.

Each port's transition flag is set when that port's input changes, and the change flag remains set even if the input returns to its original state. The port's interrupt mask determines whether a change on that input port generates an interrupt. Enable interrupts for high-priority inputs using the interrupt mask. The interrupt allows the system to respond quickly to changes on these inputs. Poll the MAX7324 periodically to monitor less-important inputs. The transition flags indicate whether a permanent or transient change has occurred on any input since the MAX7324 was last accessed.

Serial Interface

Serial Addressing

The MAX7324 operates as a slave that sends and receives data through an I²C interface. The interface uses a serial-data line (SDA) and a serial-clock line (SCL) to achieve bidirectional communication between master(s) and slave(s). The master initiates all data transfers to and from the MAX7324 and generates the SCL clock that synchronizes the data transfer (Figure 1).

SDA operates as both an input and an open-drain output. A pullup resistor, typically 4.7kΩ, is required on SDA. SCL operates only as an input. A pullup resistor, typically 4.7kΩ, is required on SCL if there are multiple masters on the 2-wire interface, or if the master in a single-master system has an open-drain SCL output.

Each transmission consists of a START condition sent by a master, followed by the MAX7324's 7-bit slave address plus R/W bit, 1 or more data bytes, and finally a STOP condition (Figure 2).

Start and Stop Conditions

Both SCL and SDA remain high when the interface is not busy. A master signals the beginning of a transmission with a START (S) condition by transitioning SDA from high to low while SCL is high. When the master has finished communicating with the slave, the master issues a STOP (P) condition by transitioning SDA from low to high while SCL is high. The bus is then free for another transmission (Figure 2).

Bit Transfer

One data bit is transferred during each clock pulse. The data on SDA must remain stable while SCL is high (Figure 3).

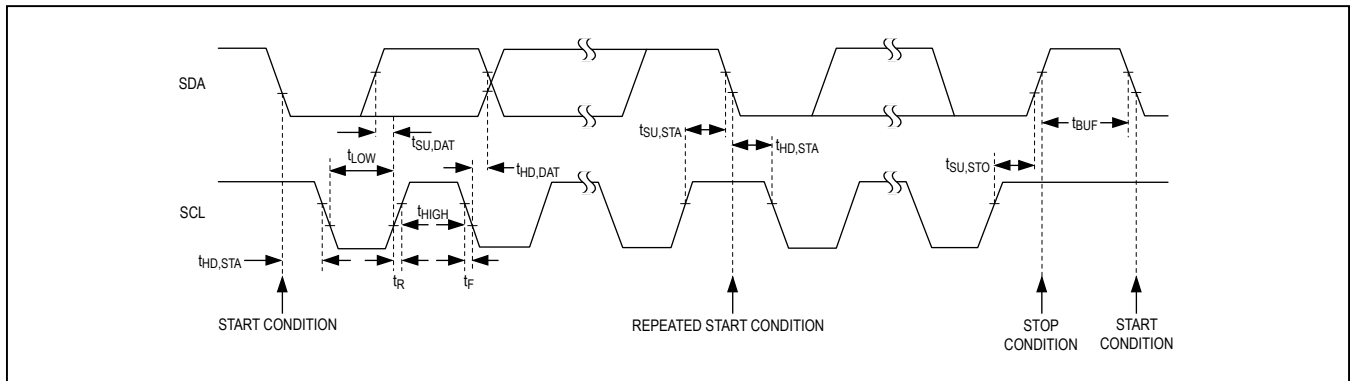


Figure 1. 2-Wire Serial-Interface Timing Details

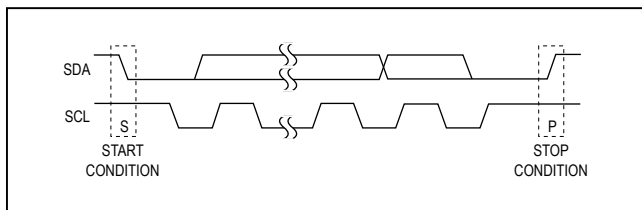


Figure 2. Start and Stop Conditions

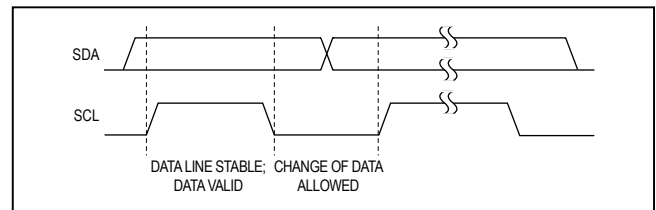


Figure 3. Bit Transfer

Acknowledge

The acknowledge bit is a clocked 9th bit the recipient uses to acknowledge receipt of each byte of data (Figure 4). Each byte transferred effectively requires 9 bits. The master generates the 9th clock pulse, and the recipient pulls down SDA during the acknowledge clock pulse, such that the SDA line is stable low during the high period of the clock pulse. When the master is transmitting to the MAX7324, the MAX7324 generates the acknowledge bit because the MAX7324 is the recipient. When the MAX7324 is transmitting to the master, the master generates the acknowledge bit because the master is the recipient. The master does not generate an acknowledge prior to issuing a stop condition.

Slave Address

The MAX7324 has two different 7-bit slave addresses (Tables 2 and 3). The addresses are different for communicating to either the eight push-pull outputs or the eight inputs. The eighth bit following the 7-bit slave address is the R/W bit. It is low for a write command and high for a read command.

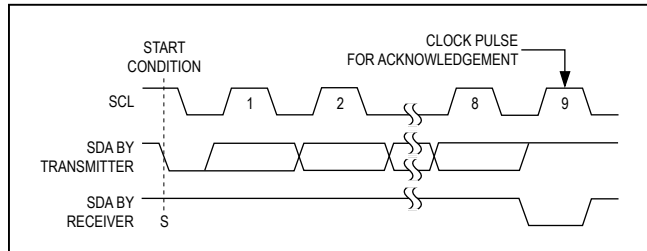


Figure 4. Acknowledge

The first (A6), second (A5), and third (A4) bits of the MAX7324 slave address are always 1, 1, and 0 (I0–I7) or 1, 0, and 1 (O8–O15). Connect AD0 and AD2 to GND, V+, SDA, or SCL to select the slave address bits A3, A2, A1, and A0. The MAX7324 has 16 possible slave address pairs (Tables 2 and 3), allowing up to 16 MAX7324 devices on an I²C bus.

Accessing the MAX7324

The MAX7324 is accessed through an I²C interface. The MAX7324 provides two different 7-bit slave addresses for either the eight input ports (I0–I7) or the eight push-pull ports (O8–O15). See Tables 2 and 3.

A **single-byte read** from the input ports of the MAX7324 returns the status of the eight ports and clears both the internal transition flags and the INT output. A single-byte read from the output ports of the MAX7324 returns the status of the eight output ports, read back as inputs.

A **2-byte read** from the input ports of the MAX7324 returns the status of the eight ports (as for a single-byte read), followed by the transition flags. The internal transition flags and the INT output are cleared when the MAX7324 acknowledges the slave address byte, but the previous transition flag data is sent as the second byte. A 2-byte read from the output ports of the MAX7324 repeatedly returns the status of the eight output ports, read back as inputs.

A **multibyte read** (more than 2 bytes before the I²C STOP bit) from the input ports of the MAX7324 repeatedly returns the port data, alternating with the transition flags. As the input data is resampled for each transmission, and the transition flags are reset each time, a multibyte read continuously returns the current data and identifies any changing input ports.

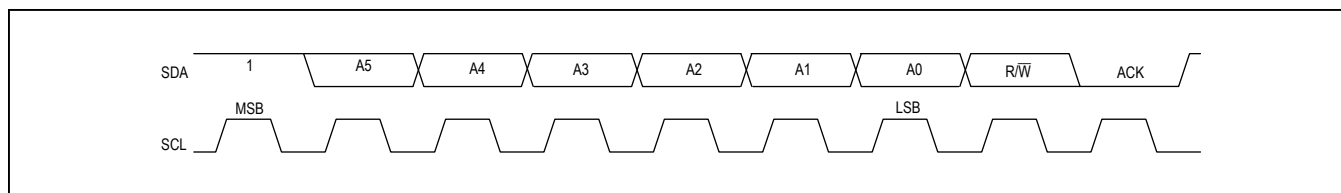


Figure 5. Slave Address

If a port input data change occurs during the read sequence, $\overline{\text{INT}}$ is reasserted during the I²C STOP bit. The MAX7324 does not generate another interrupt during a single-byte or multibyte read.

Input-port data is sampled during the preceding I²C acknowledge bit (the acknowledge bit for the I²C slave address in the case of a single-byte or 2-byte read).

A multibyte read (more than 2 bytes before the I²C STOP bit) from the output ports of the MAX7324 repeatedly returns the status of the eight output ports, read back as inputs.

A **single-byte write** to the input ports of the MAX7324 sets the interrupt mask register and clears both the internal transition flags and $\overline{\text{INT}}$ output.

A single-byte write to the output ports of the MAX7324 sets the logic state of all eight ports.

A **multibyte write** to the input ports of the MAX7324 sets the interrupt mask register repeatedly.

A multibyte write to the output ports of the MAX7324 repeatedly sets the logic state of all eight ports.

Reading from the MAX7324

A read from the input ports of the MAX7324 starts with the master transmitting the input ports' slave address with the $\overline{\text{R/W}}$ bit set to high. The MAX7324 acknowledges the slave address and samples the ports during the acknowledge bit. $\overline{\text{INT}}$ deasserts during the slave address acknowledge.

Typically, the master reads 1 or 2 bytes from the MAX7324 with each byte being acknowledged by the master upon reception with the exception of the last byte.

When the master reads one byte from the open-drain ports of the MAX7324 and subsequently issues a STOP condition (Figure 6), the MAX7324 transmits the current port data, clears the transition flags, and resets the transition detection. $\overline{\text{INT}}$ deasserts during the slave acknowledge. The new snapshot data is the current port data transmitted to the master, and therefore, port changes occurring during the transmission are detected. $\overline{\text{INT}}$ remains high until the STOP condition.

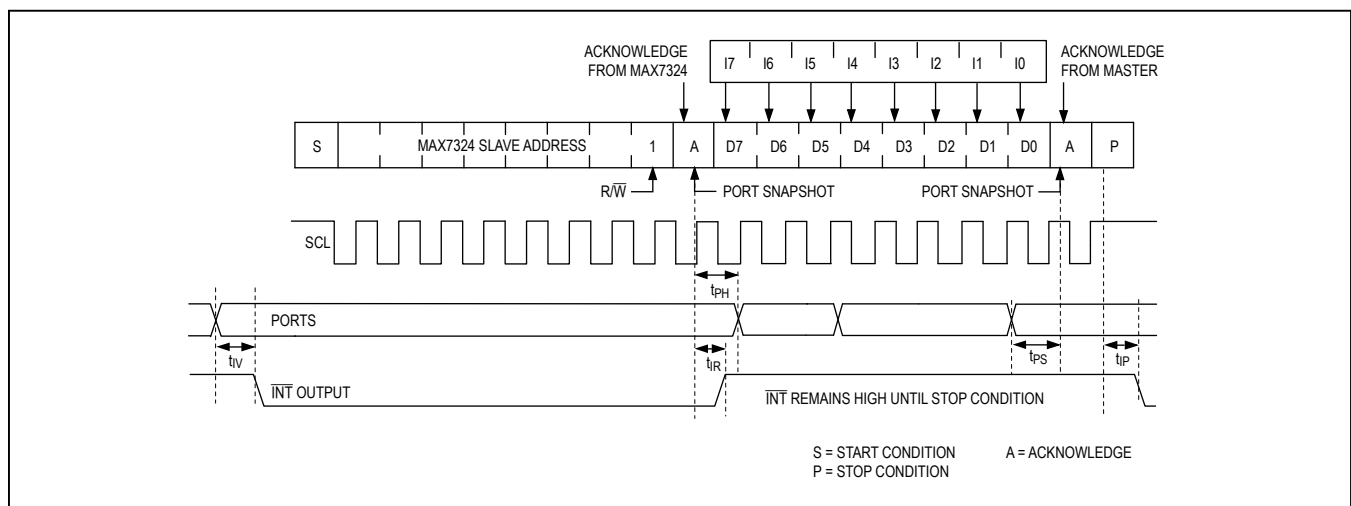


Figure 6. Reading Input Ports of the MAX7324 (1 Data Byte)

When the master reads 2 bytes from the output ports of the MAX7324 and subsequently issues a STOP condition (Figure 7), the MAX7324 transmits the current port data, followed by the transition flags. The transition flags are then cleared, and transition detection is reset. \overline{INT} deasserts during the slave acknowledge. The new snapshot data is the current port data transmitted to the master, and therefore, port transitions occurring during the transmission are detected. \overline{INT} remains high until the STOP condition. When the master reads more than 2 data bytes, the input port data alternates with the transition flag.

A read from the output ports of the MAX7324 starts with the master transmitting the ports' slave address with the R/\overline{W} bit set high. The MAX7324 acknowledges the slave address and samples the logic state of the output ports during the acknowledge bit. The master can read

one or more bytes from the output ports of the MAX7324, and then issues a STOP condition (Figure 8). The MAX7324 transmits the current port data, read back from the actual port outputs (not the port output latches) during the acknowledge. If a port is forced to a logic state other than its programmed state, the readback reflects this. If driving a capacitive load, the readback port level verification algorithms may need to take the RC rise/fall time into account.

Typically, the master reads one byte from the output ports of the MAX7324, then issues a STOP condition (Figure 8). However, the master can read two or more bytes from the output ports of the MAX7324, and then issues a STOP condition. In this case, the MAX7324 resamples the port outputs during each acknowledge and transmits the new data each time.

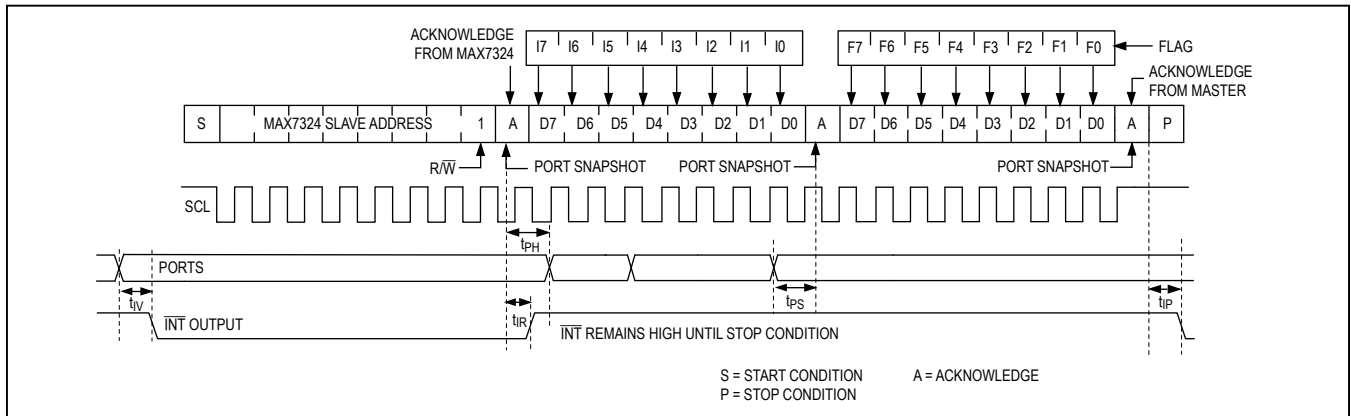


Figure 7. Reading Input Ports of the MAX7324 (2 Data Bytes)

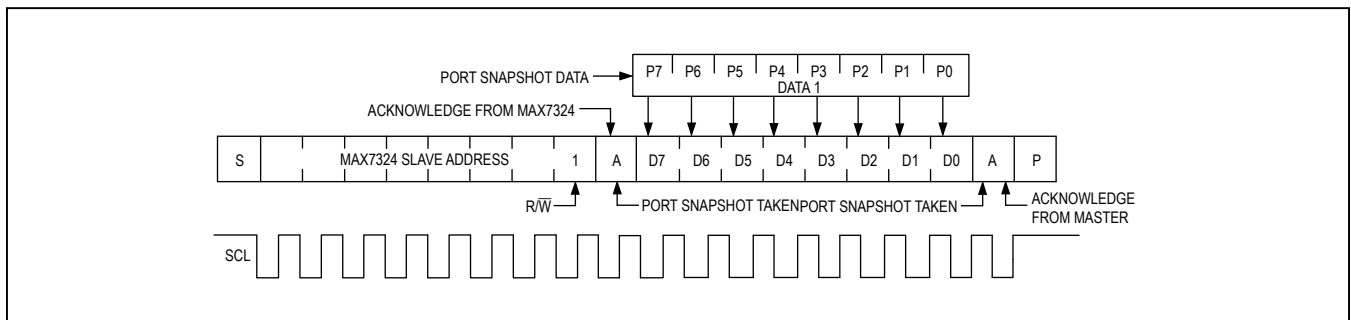


Figure 8. Reading Output Ports of the MAX7324

Writing to the MAX7324

A write to the input ports of the MAX7324 starts with the master transmitting the group's slave address with the R/W bit set low. The MAX7324 acknowledges the slave address and samples the ports during the acknowledge bit. The master can now transmit one or more bytes of data. The MAX7324 acknowledges these subsequent bytes of data and updates the interrupt mask register with each new byte until the master issues a STOP condition (Figure 9).

A write to the output ports of the MAX7324 starts with the master transmitting the group's slave address with the R/W bit set low. The MAX7324 acknowledges the slave address and samples the ports during the acknowledge bit. The master can now transmit one or more bytes of data. The MAX7324 acknowledges these subsequent bytes of data and updates the corresponding group's ports with each new byte until the master issues a STOP condition (Figure 10).

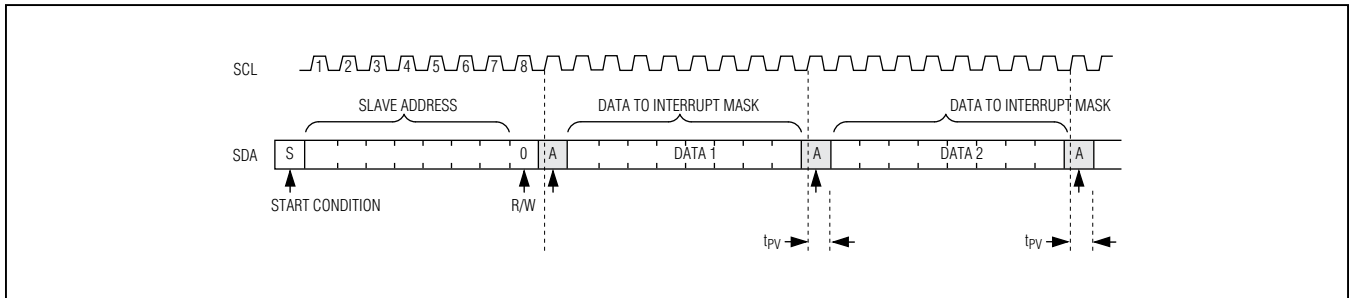


Figure 9. Writing to the Input Ports of the MAX7324

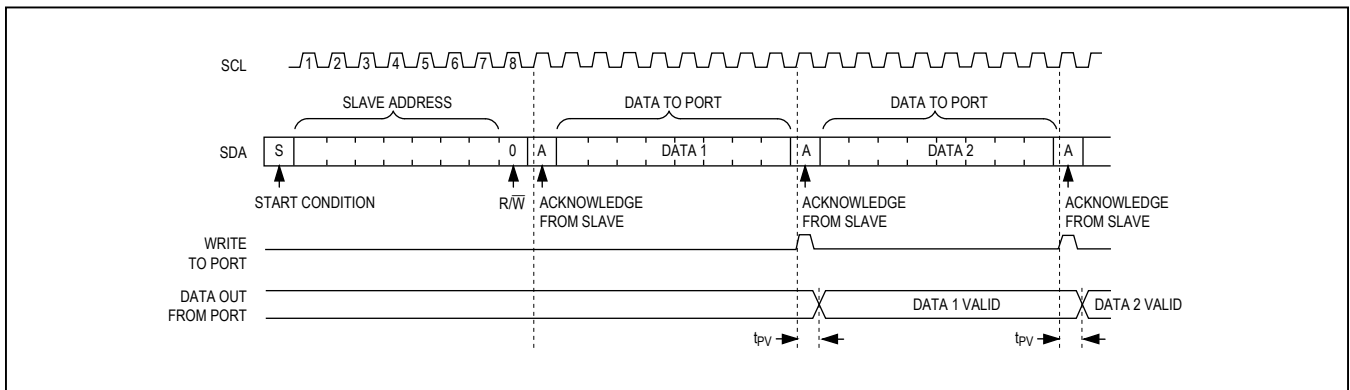


Figure 10. Writing to the Output Ports of the MAX7324

Applications Information

Port Input and I²C Interface Level Translation from Higher or Lower Logic Voltages

SDA, SCL, AD0, AD2, $\overline{\text{RST}}$, $\overline{\text{INT}}$, and I0–I7 are overvoltage protected to +6V. This allows the MAX7324 to operate from a lower supply voltage, such as +3.3V, while the I²C interface and/or any of the eight input ports are driven from a higher logic level, such as +5V.

The MAX7324 can operate from a higher supply voltage, such as +3V, while the I²C interface and/or some of the input ports I0–I7 are driven from a lower logic level, such as +2.5V. For $V+ < 1.8\text{V}$, apply a minimum voltage of $0.8 \times V+$ to assert a logic-high on any input. For $V+ \geq 1.8\text{V}$, apply a voltage of $0.7 \times V+$ to assert a logic-high. For example, a MAX7324 operating from a +5V supply may not recognize a +3.3V nominal logic high. One solution for input level translation is to drive the MAX7324 inputs from open-drain outputs. Use a pullup resistor to V+ or a higher supply to ensure a high logic voltage greater than $0.7 \times V+$.

Port Output Signal Level Translation

$\overline{\text{RST}}$, SCL, SDA, AD0, and AD2 remain high impedance with up to +6V asserted on them when the MAX7324 is powered down ($V+ = 0$). The MAX7324 can therefore be used in hot-swap applications.

Each of the eight output ports has protection diodes to V+ and GND. When a port output is driven to a voltage higher than V+ or lower than GND, the appropriate protection diode clamps the output to a diode drop above V+ or below GND. When the MAX7324 is powered down ($V+ = 0$), every output port’s protection diodes to V+ and GND continue to appear as a diode clamp from each output to GND (Figure 11).

Each of the input ports I0–I7 has a protection diode to GND (Figure 12). When a port input is driven to a voltage lower than GND, the protection diode clamps the voltage to a diode drop below GND.

Each of the eight input ports I0–I7 also has a 40k Ω (typ) pullup resistor that can be enabled or disabled. When a port input is driven to a voltage higher than V+, the body diode of the pullup enable switch conducts and the 40k Ω pullup resistor is enabled. When the MAX7324 is powered down ($V+ = 0$), every input port appears as a 40k Ω resistor in series with a diode connected to ground. Input ports are protected to +6V under any of these circumstances.

Driving LED Loads

When driving LEDs from one of the eight output ports, O8–O15, a resistor must be fitted in series with the LED to limit the LED current to no more than 20mA. Connect the LED cathode to the MAX7324 port, and the LED anode to V+ through the series current-limiting resistor, R_{LED}.

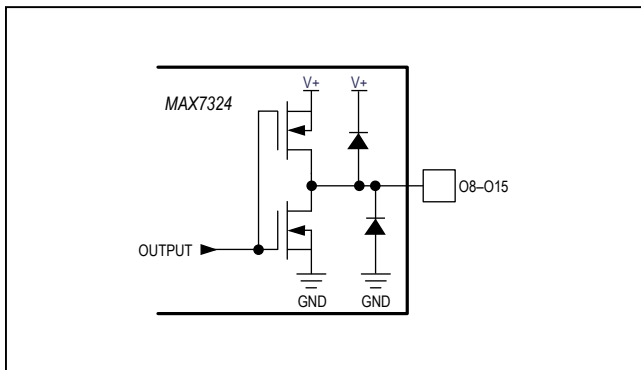


Figure 11. MAX7324 Output Port Structure

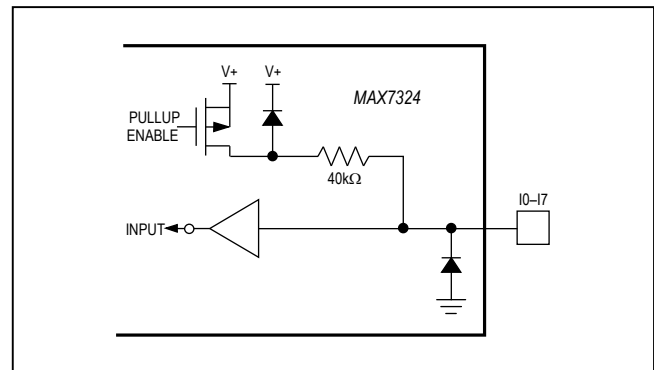


Figure 12. MAX7324 Input Port Structure

Set the port output low to light the LED. Choose the resistor value according to the following formula:

$$R_{LED} = (V_{SUPPLY} - V_{LED} - V_{OL}) / I_{LED}$$

where:

R_{LED} is the resistance of the resistor in series with the LED (Ω).

V_{SUPPLY} is the supply voltage used to drive the LED (V).

V_{LED} is the forward voltage of the LED (V).

V_{OL} is the output low voltage of the MAX7324 when sinking I_{LED} (V).

I_{LED} is the desired operating current of the LED (A).

For example, to operate a 2.2V red LED at 10mA from +5V supply:

$$R_{LED} = (5 - 2.2 - 0.1) / 0.01 = 270\Omega$$

Driving Load Currents Higher than 20mA

The MAX7324 can be used to drive loads such as relays that draw more than 20mA by paralleling outputs. Use at least one output per 20mA of load current; for example, a 5V 330mW relay draws 66mA, and therefore, requires four paralleled outputs. Any combination of outputs can be used as part of a load-sharing design because any combination of ports can be set or cleared at the same time by writing to the MAX7324. Do not exceed a total sink current of 100mA for the device.

Protect the MAX7324 from the negative voltage transient generated when switching off inductive loads (such as relays) by connecting a reverse-biased diode across the inductive load. Choose the peak current for the diode to be greater than the inductive load's operating current.

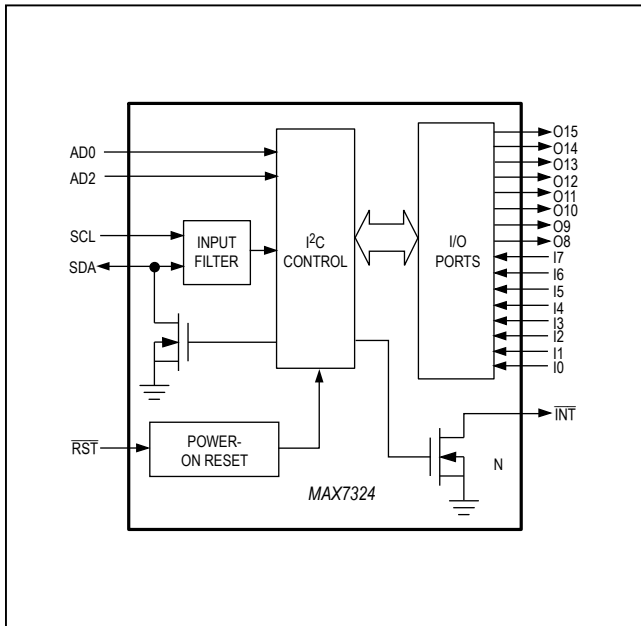
Power-Supply Considerations

The MAX7324 operates with a supply voltage of +1.71V to +5.5V over the -40°C to +125°C temperature range. Bypass the supply to GND with a ceramic capacitor of at least 0.047 μ F as close as possible to the device. For the TQFN version, additionally connect the exposed pad to GND.

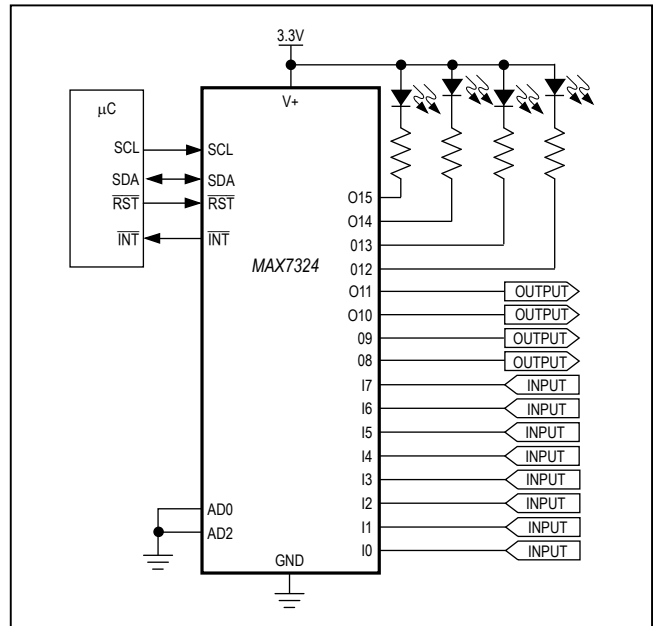
MAX7324

I²C Port Expander with Eight Push-Pull Outputs and Eight Inputs

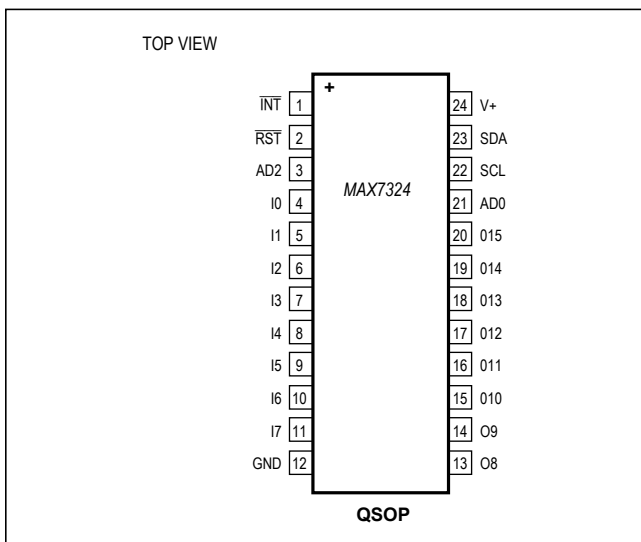
Functional Diagram



Typical Application Circuit



Pin Configurations (continued)



Chip Information

PROCESS: BiCMOS

Package Information

For the latest package outline information and land patterns (footprints), go to www.maximintegrated.com/packages. Note that a "+", "#", or "-" in the package code indicates RoHS status only. Package drawings may show a different suffix character, but the drawing pertains to the package regardless of RoHS status.

PACKAGE TYPE	PACKAGE CODE	OUTLINE NO.	LAND PATTERN NO.
16 QSOP	E24+1	21-0055	90-0172
16 TQFN-EP	T2444+3	21-0139	90-0022

Revision History

REVISION NUMBER	REVISION DATE	DESCRIPTION	PAGES CHANGED
0	10/06	Initial release	—
1	5/14	No /V OPNs; removed automotive reference from Applications section; updated Packaging Information	1

For pricing, delivery, and ordering information, please contact Maxim Direct at 1-888-629-4642, or visit Maxim Integrated's website at www.maximintegrated.com.

Maxim Integrated cannot assume responsibility for use of any circuitry other than circuitry entirely embodied in a Maxim Integrated product. No circuit patent licenses are implied. Maxim Integrated reserves the right to change the circuitry and specifications without notice at any time. The parametric values (min and max limits) shown in the Electrical Characteristics table are guaranteed. Other parametric values quoted in this data sheet are provided for guidance.

Looking for pricing, stock, or lifecycle information?

Click below to explore more details on WIN SOURCE:

 [View MAX7324AEG+ on WIN SOURCE](#)

 [Maxim Integrated](#) Information

Optimize Your Supply Chain with WIN SOURCE Solutions

-  Global Sourcing Solution
-  Obsolete Management
-  Cost Control Management
-  Shortage Management
-  Alternative Solution
-  Excess Inventory Management